



US00D839400S

(12) **United States Design Patent**
Wolff

(10) **Patent No.:** **US D839,400 S**

(45) **Date of Patent:** **** Jan. 29, 2019**

(54) **FUEL DISPENSING BREAKAWAY COUPLING**

(71) Applicant: **Brian P Wolff**, Raytown, MO (US)

(72) Inventor: **Brian P Wolff**, Raytown, MO (US)

(73) Assignee: **Husky Corporation**, Pacific, MO (US)

(**) Term: **15 Years**

(21) Appl. No.: **29/620,536**

(22) Filed: **Feb. 8, 2017**

(51) **LOC (11) Cl.** **23-01**

(52) **U.S. Cl.**
USPC **D23/262**

(58) **Field of Classification Search**
USPC D23/259, 262-263, 260, 213; D8/382, D8/397, 399; 251/149.7; 285/1, 2, 9.1; 141/347; 137/68.14, 68.15, 614.05, 137/614.06
CPC B67D 7/42; B67D 7/04; F16L 2201/20; F16L 37/004; F16L 37/32; F16L 55/1007; F16L 55/1015
See application file for complete search history.

(56) **References Cited**

U.S. PATENT DOCUMENTS

- 4,716,937 A * 1/1988 Hendrickson A62C 37/10 138/45
- 5,529,085 A * 6/1996 Richards F16K 17/40 137/68.15
- 5,564,471 A * 10/1996 Wilder F16L 55/1015 137/614.04
- D387,146 S * 12/1997 Morrison D23/262

- 5,695,221 A * 12/1997 Sunderhaus F16L 55/1015 251/149.7
- 6,123,123 A * 9/2000 Carder, Sr. B67D 7/32 137/68.15
- D482,761 S * 11/2003 Gotoh D23/233
- 8,578,957 B2 * 11/2013 Wolff F16L 55/1007 137/614.04
- D703,519 S * 4/2014 Senseney D8/382
- 2013/0276923 A1 * 10/2013 Wolff F16L 37/004 137/614.02
- 2014/0318650 A1 * 10/2014 Wolff F16L 37/004 137/614.02
- 2016/0334025 A1 * 11/2016 Roth F16K 15/063

* cited by examiner

Primary Examiner — Eric L Goodman

Assistant Examiner — Amy C Wierenga

(74) *Attorney, Agent, or Firm* — Paul M. Denk

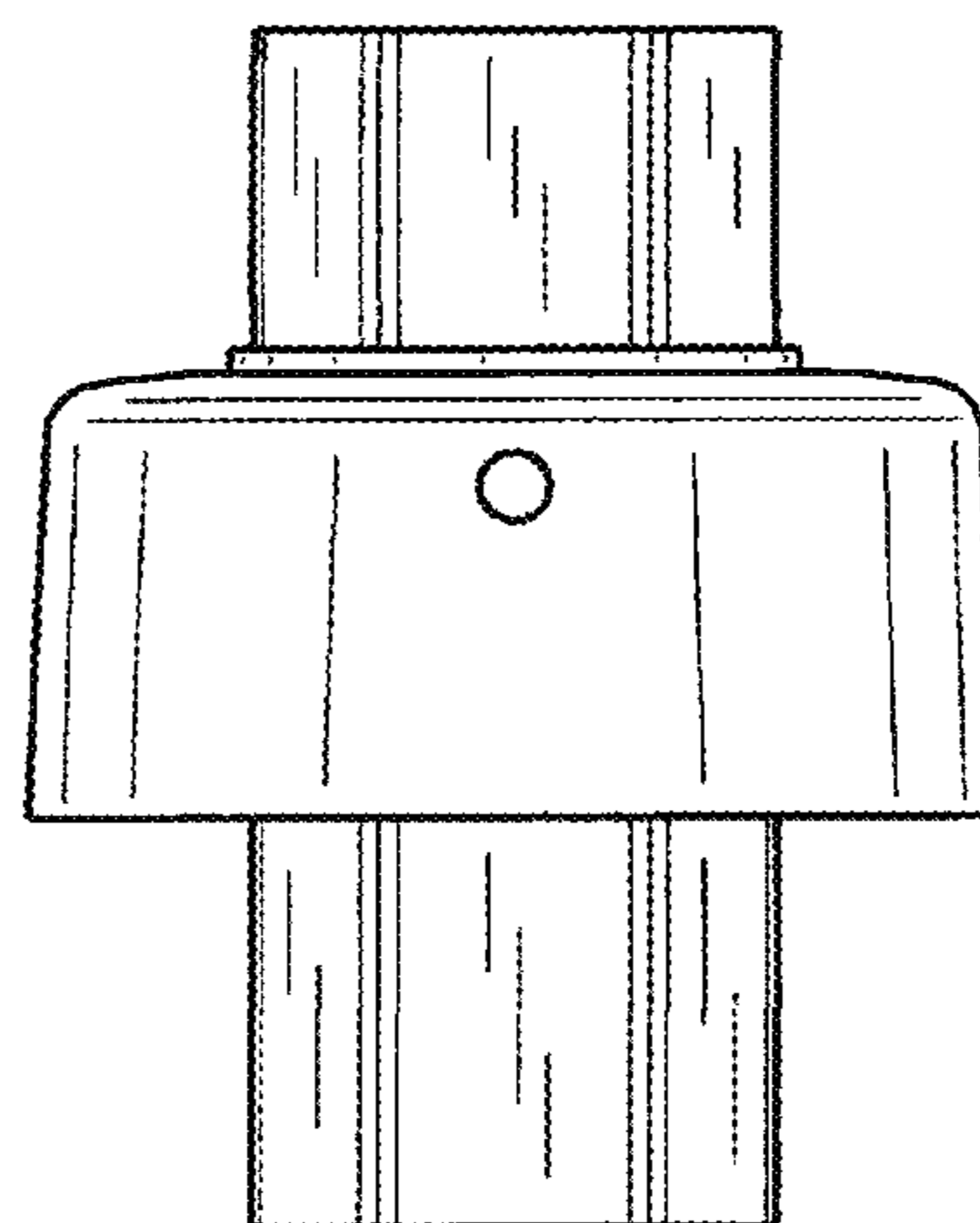
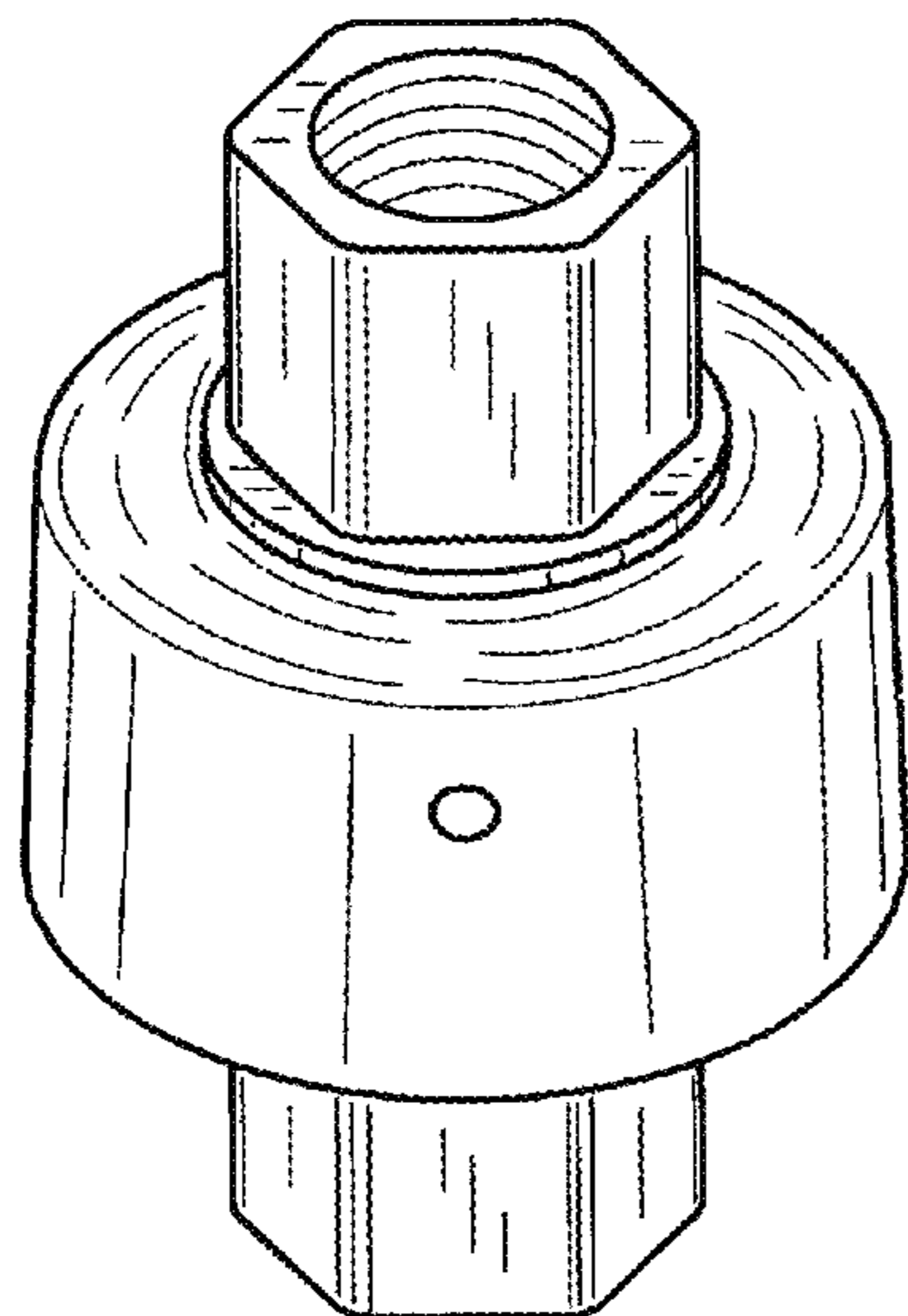
(57) **CLAIM**

The ornamental design for the fuel dispensing breakaway coupling, as shown and described.

DESCRIPTION

FIG. 1 is an isometric view of the fuel dispensing breakaway coupling of this invention;
FIG. 2 is a front view;
FIG. 3 is a rear view;
FIG. 4 is a left side view, the right side view being a mere image thereof;
FIG. 5 is a top view; and,
FIG. 6 is a bottom view.
The dashed broken lines depict portions of the fuel dispensing breakaway coupling that form no part of the claim.

1 Claim, 2 Drawing Sheets



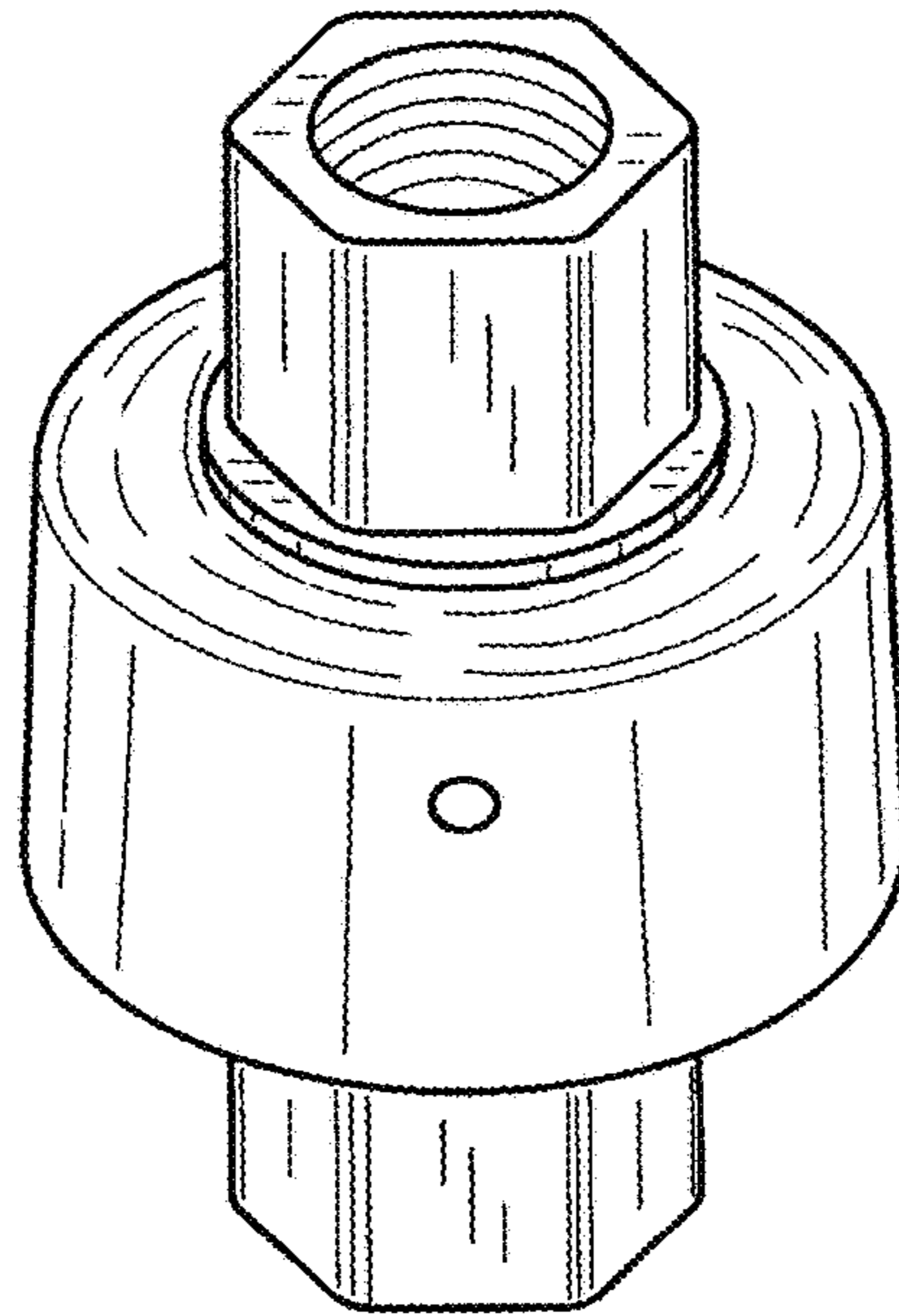


FIG. 1

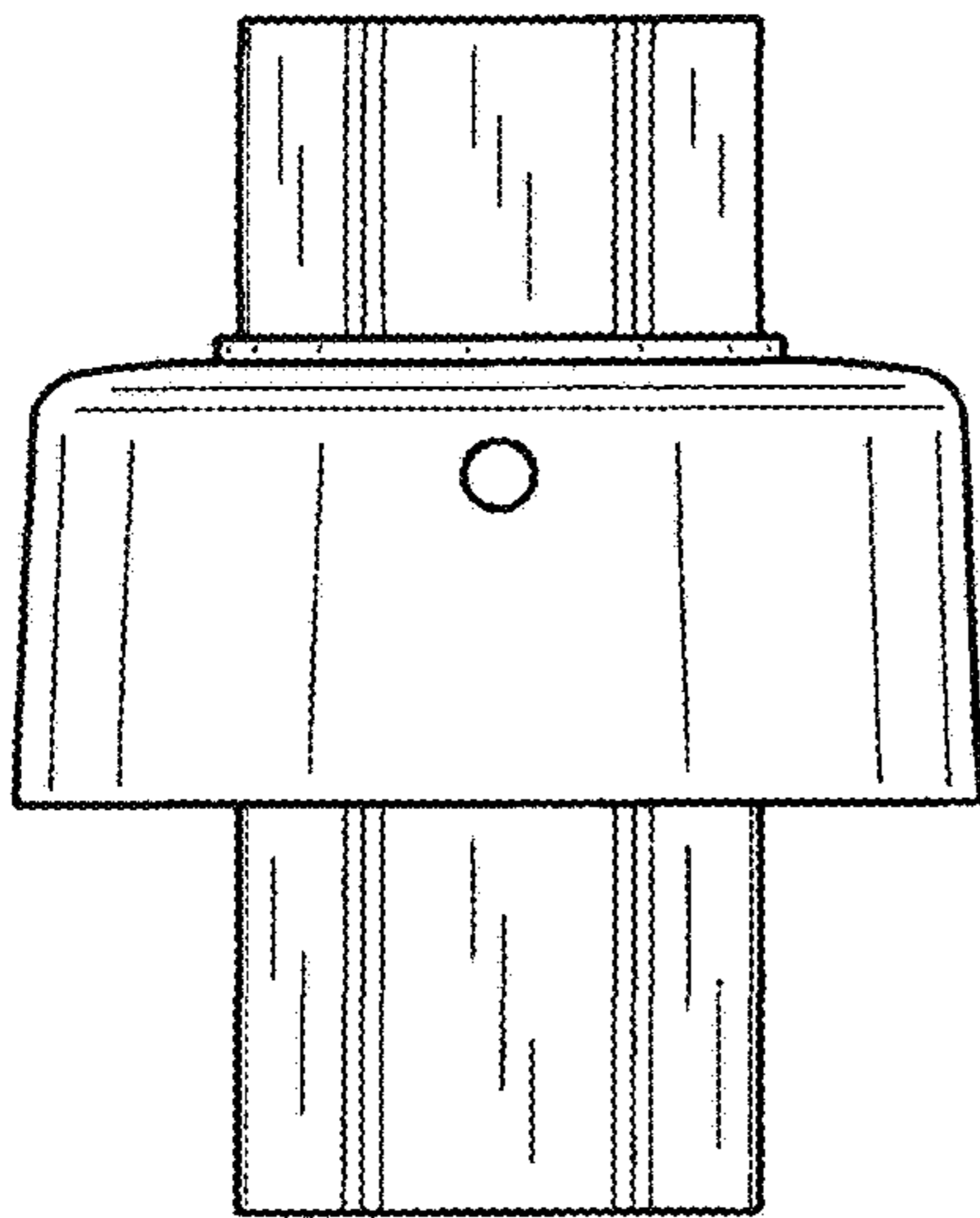


FIG. 2

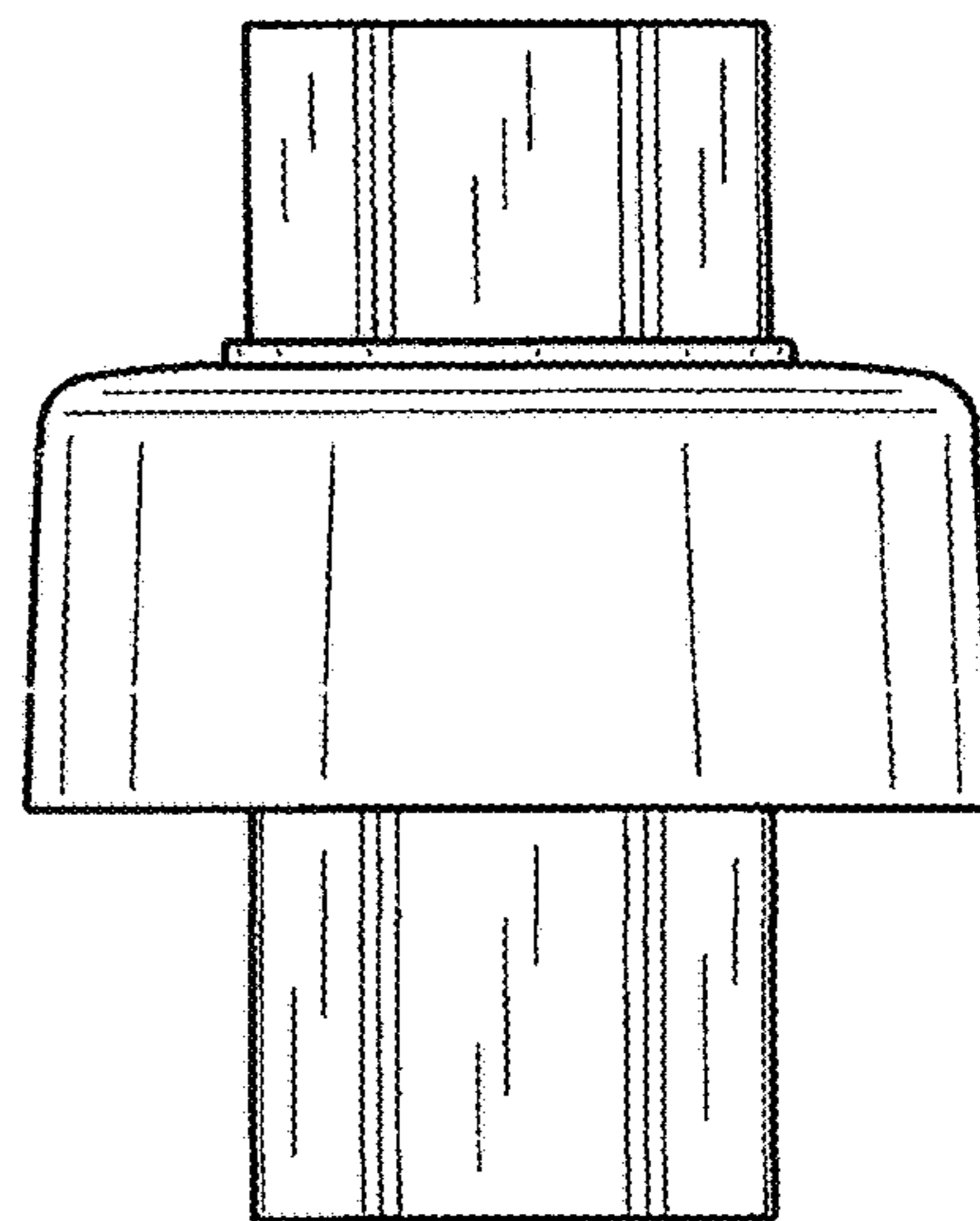


FIG. 3

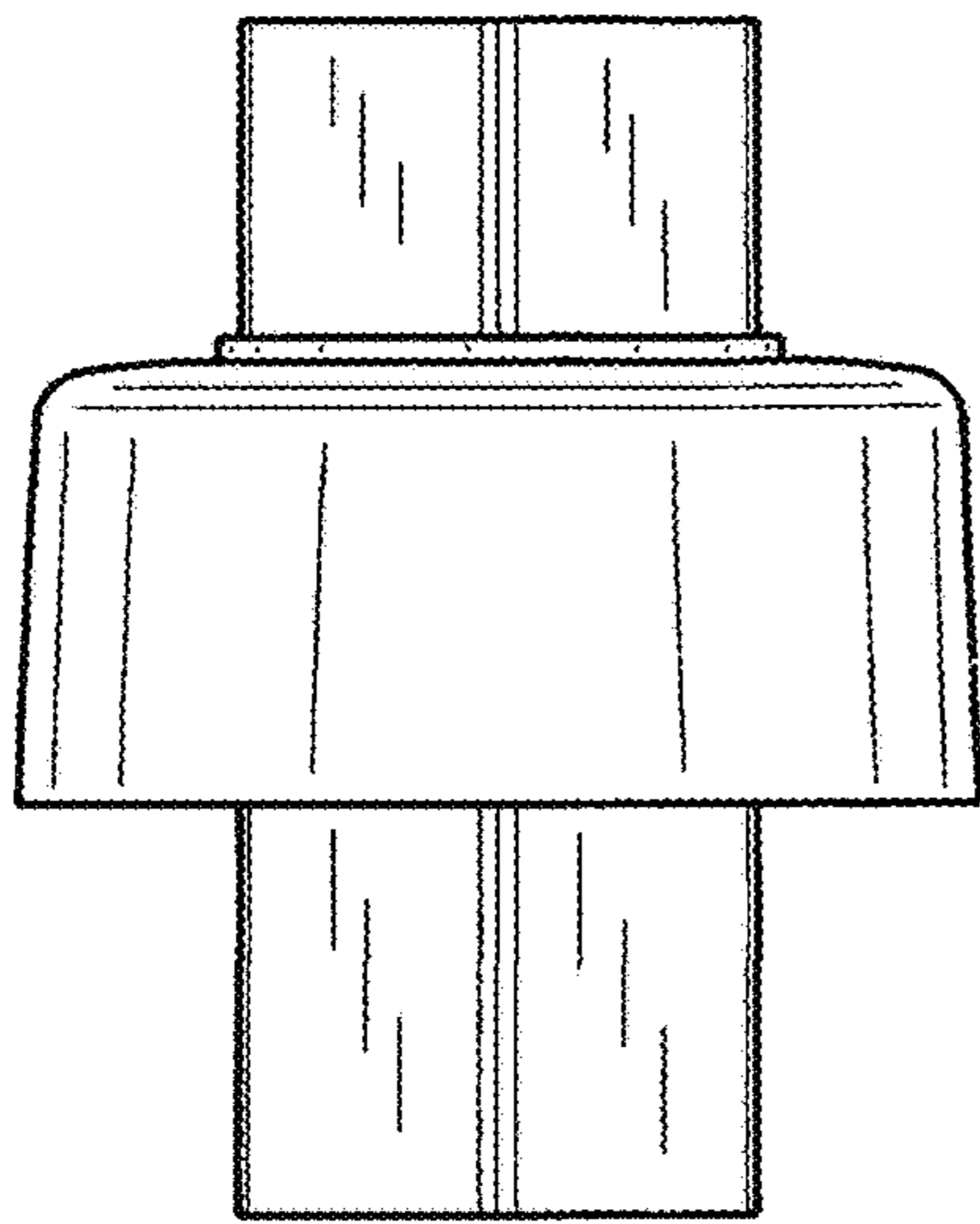


FIG. 4

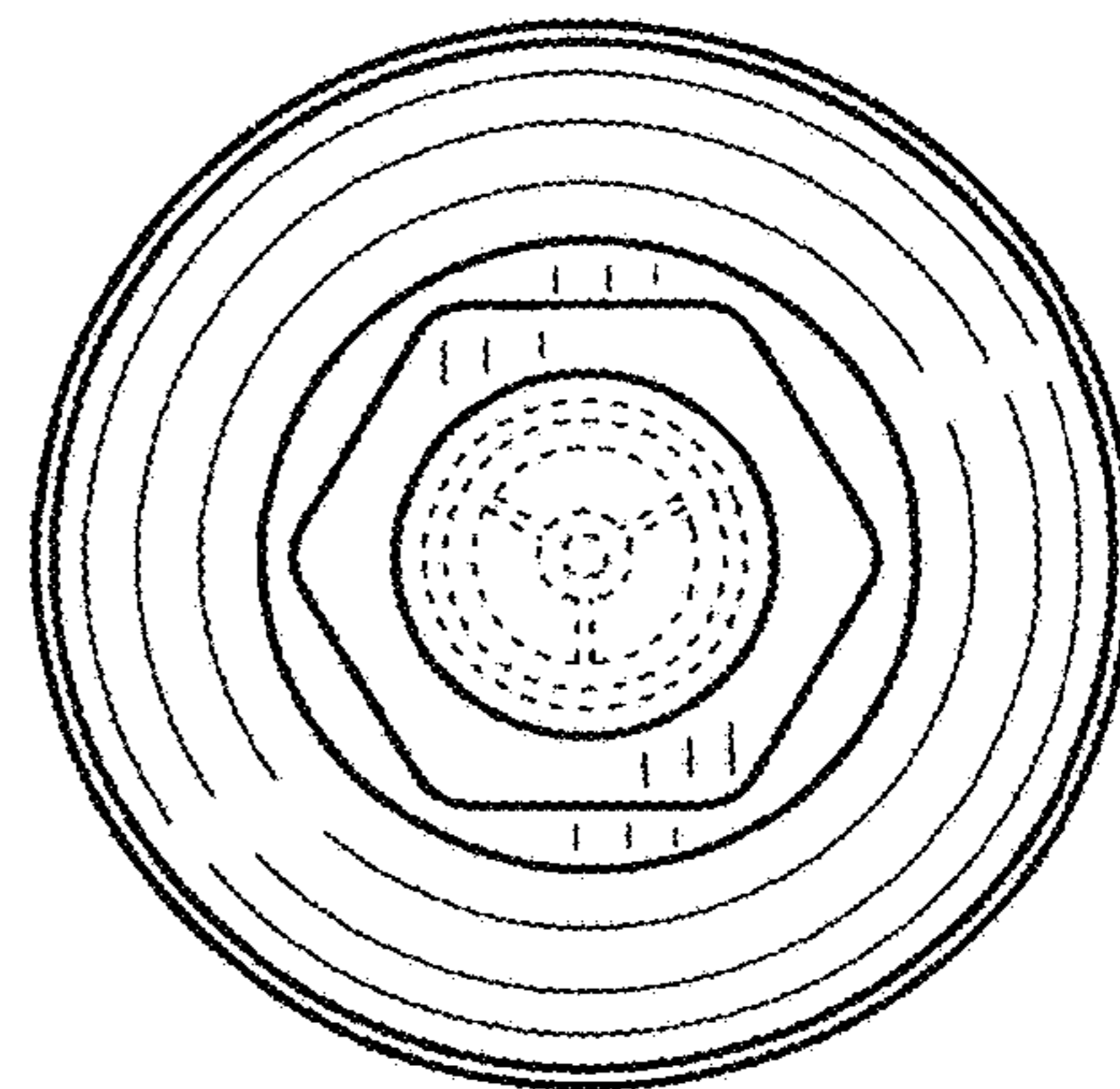


FIG. 5

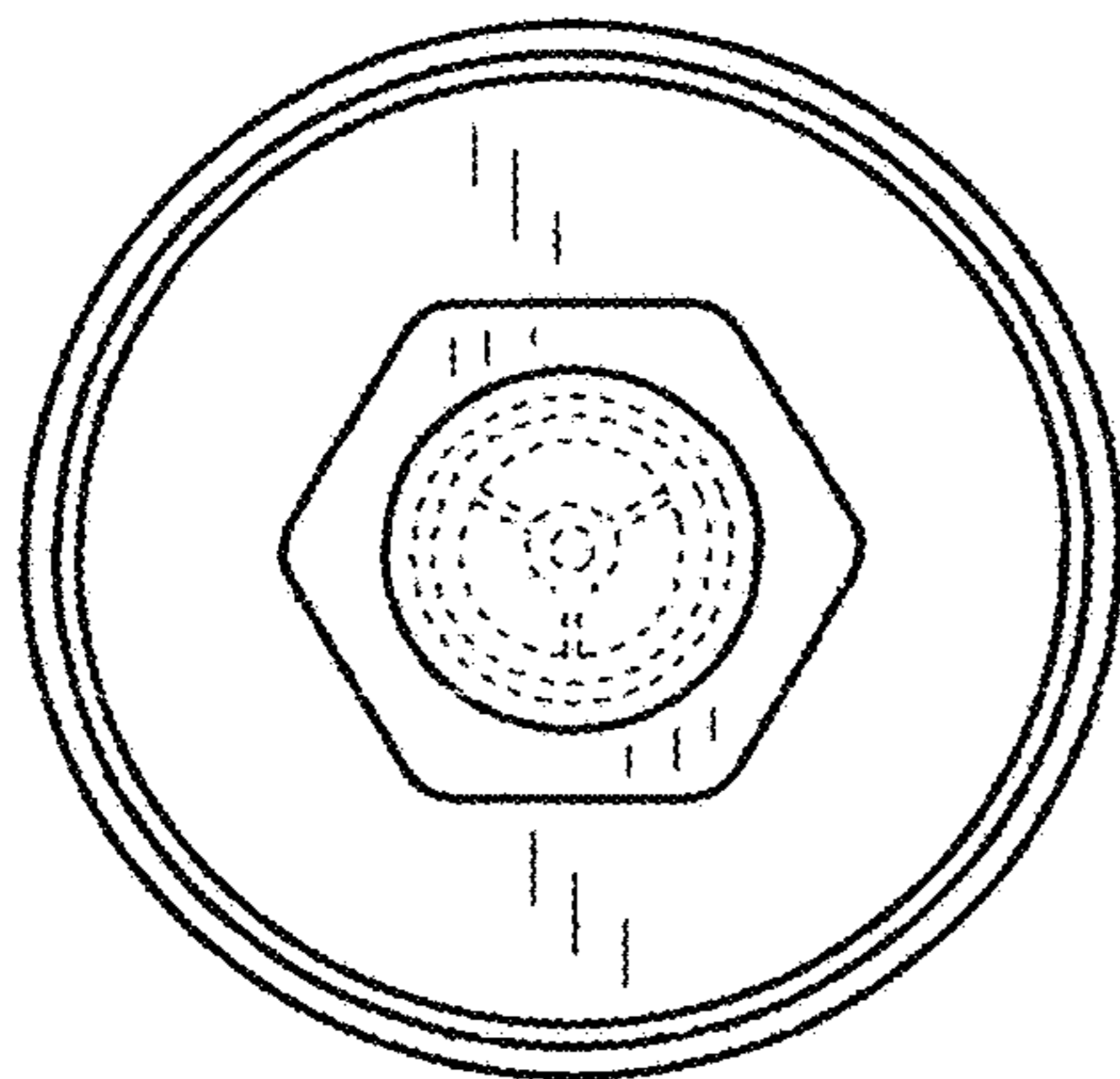


FIG. 6