



US00D839398S

(12) **United States Design Patent**  
**Lippka**

(10) **Patent No.:** **US D839,398 S**

(45) **Date of Patent:** **\*\* \*Jan. 29, 2019**

(54) **PIPE COUPLING**

(71) Applicant: **Tyco Fire Products LP**, Lansdale, PA (US)

(72) Inventor: **Sandra M. Lippka**, Warwick, RI (US)

(73) Assignee: **Tyco Fire Products LP**, Lansdale, PA (US)

(\*) Notice: This patent is subject to a terminal disclaimer.

(\*\*) Term: **15 Years**

(21) Appl. No.: **29/605,967**

(22) Filed: **May 31, 2017**

(51) **LOC (11) Cl.** ..... **23-01**

(52) **U.S. Cl.**  
USPC ..... **D23/262**

(58) **Field of Classification Search**  
USPC ..... D23/259–260, 262–266, 233, 245;  
285/56, 189, 194, 286.1, 15, 180, 181,  
285/197, 205, 206, 86, 89, 90, 92, 366,  
285/368, 406, 410, 412, 415; D8/382,  
D8/394–396; 403/290, 343, 344, 44, 46,  
403/57, 300, 296

CPC ..... F16L 5/027; F16L 5/10; F16L 23/0283;  
F16L 55/00; F16L 21/02; F16L 21/06;  
F16L 55/18; F16L 15/22; F16L 23/00;  
F16L 21/022; E03D 11/00; F16J 15/22;  
F16J 1/005; B65D 45/34

See application file for complete search history.

(56) **References Cited**

**U.S. PATENT DOCUMENTS**

D142,057 S \* 8/1945 Baxter ..... D23/265  
D189,229 S \* 11/1960 Bowne ..... D23/265  
D488,852 S \* 4/2004 Pampinella ..... D23/262

D577,423 S \* 9/2008 Dole ..... D23/265  
D597,635 S 8/2009 Dole  
D598,076 S 8/2009 Dole  
D600,325 S 9/2009 Porter et al.  
D600,784 S \* 9/2009 Henry ..... D23/262  
D602,127 S \* 10/2009 Shah ..... D23/262  
D605,734 S \* 12/2009 Henry ..... D23/262  
D605,735 S \* 12/2009 Shah ..... D23/262  
D605,736 S 12/2009 Porter et al.  
D616,532 S \* 5/2010 Madara ..... D23/262  
D616,533 S 5/2010 Bowman et al.  
D618,312 S 6/2010 Madara et al.  
D618,314 S \* 6/2010 Bowman ..... D23/262  
D629,074 S \* 12/2010 Shah ..... D23/262  
D629,080 S 12/2010 Dole et al.  
D629,082 S 12/2010 Dole et al.  
D650,889 S \* 12/2011 van Walraven ..... D23/265  
D680,630 S \* 4/2013 Beagen, Jr. .... D23/262  
D813,025 S 3/2018 Yesavage et al.  
2016/0186902 A1 6/2016 Lee

\* cited by examiner

*Primary Examiner* — Eric L Goodman

*Assistant Examiner* — Amy C Wierenga

(74) *Attorney, Agent, or Firm* — Foley & Lardner LLP

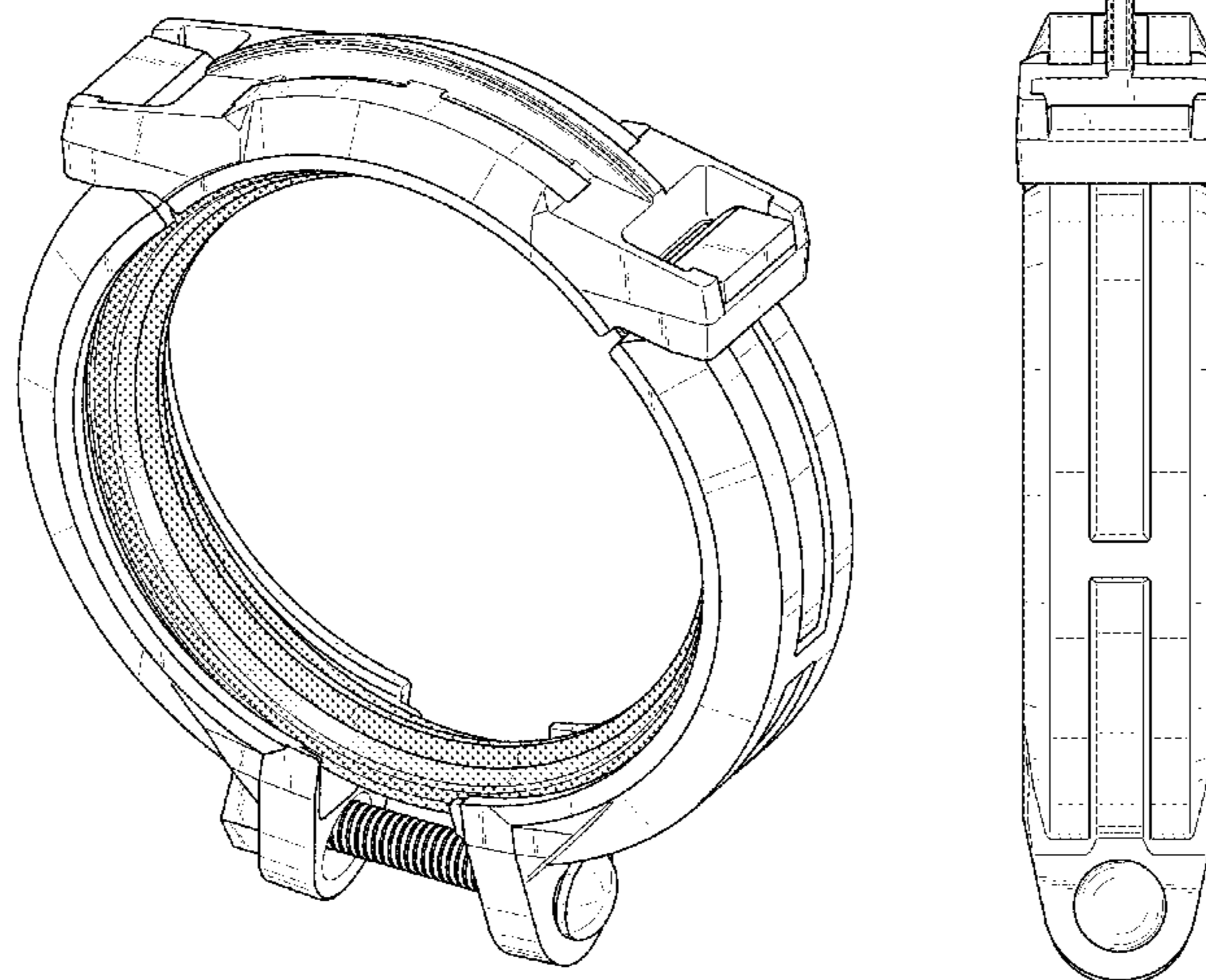
(57) **CLAIM**

The ornamental design for a pipe coupling, as shown and described.

**DESCRIPTION**

FIG. 1 is a perspective view of a pipe coupling showing my new design;  
FIG. 2 is a front elevational view thereof;  
FIG. 3 is a rear elevational view thereof;  
FIG. 4 is a top plan view thereof;  
FIG. 5 is a bottom plan view thereof;  
FIG. 6 is a right side elevational view thereof; and,  
FIG. 7 is a left side elevational view thereof.  
The solid gray surface shading represents a contrast in appearance.

**1 Claim, 5 Drawing Sheets**



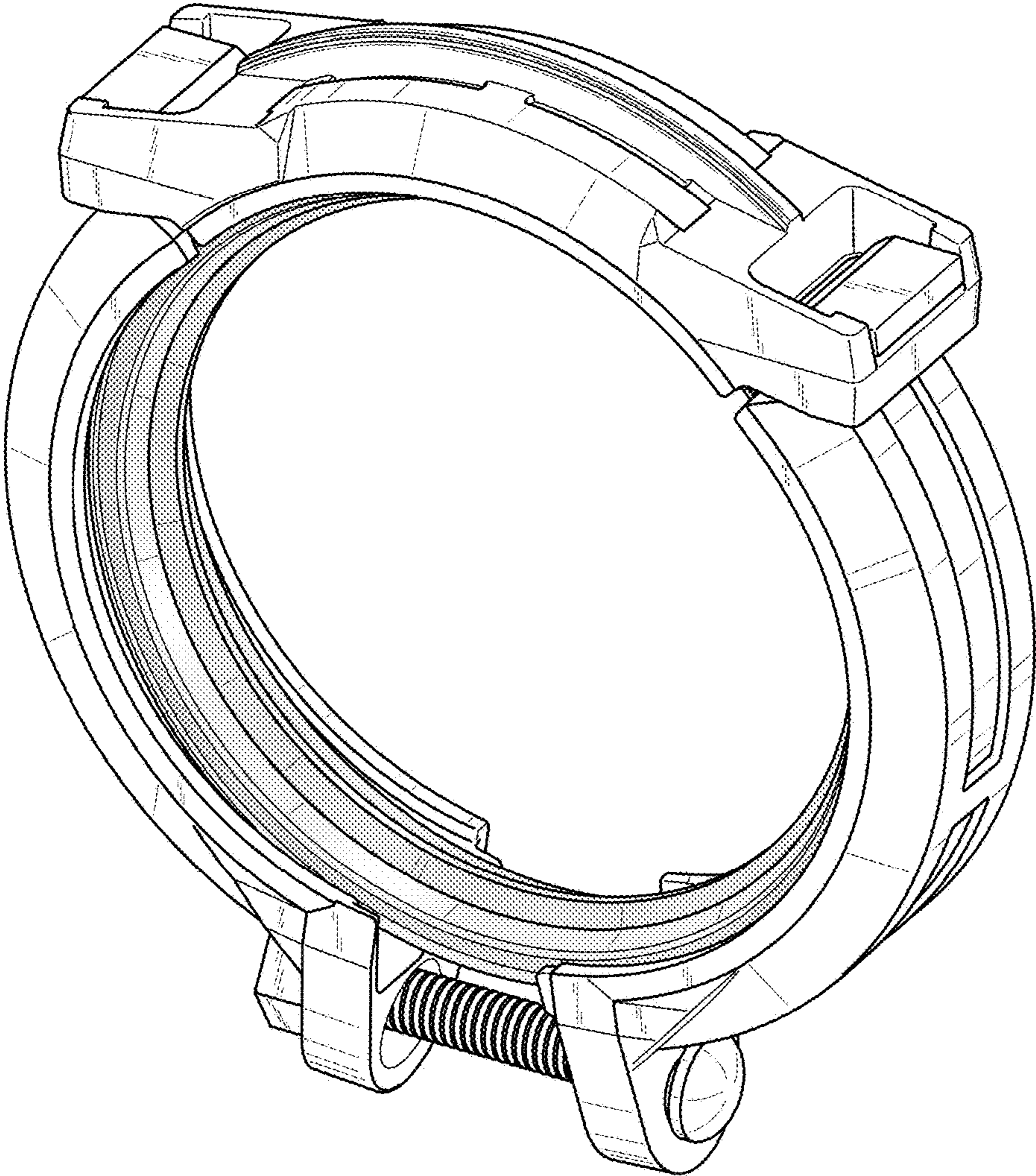
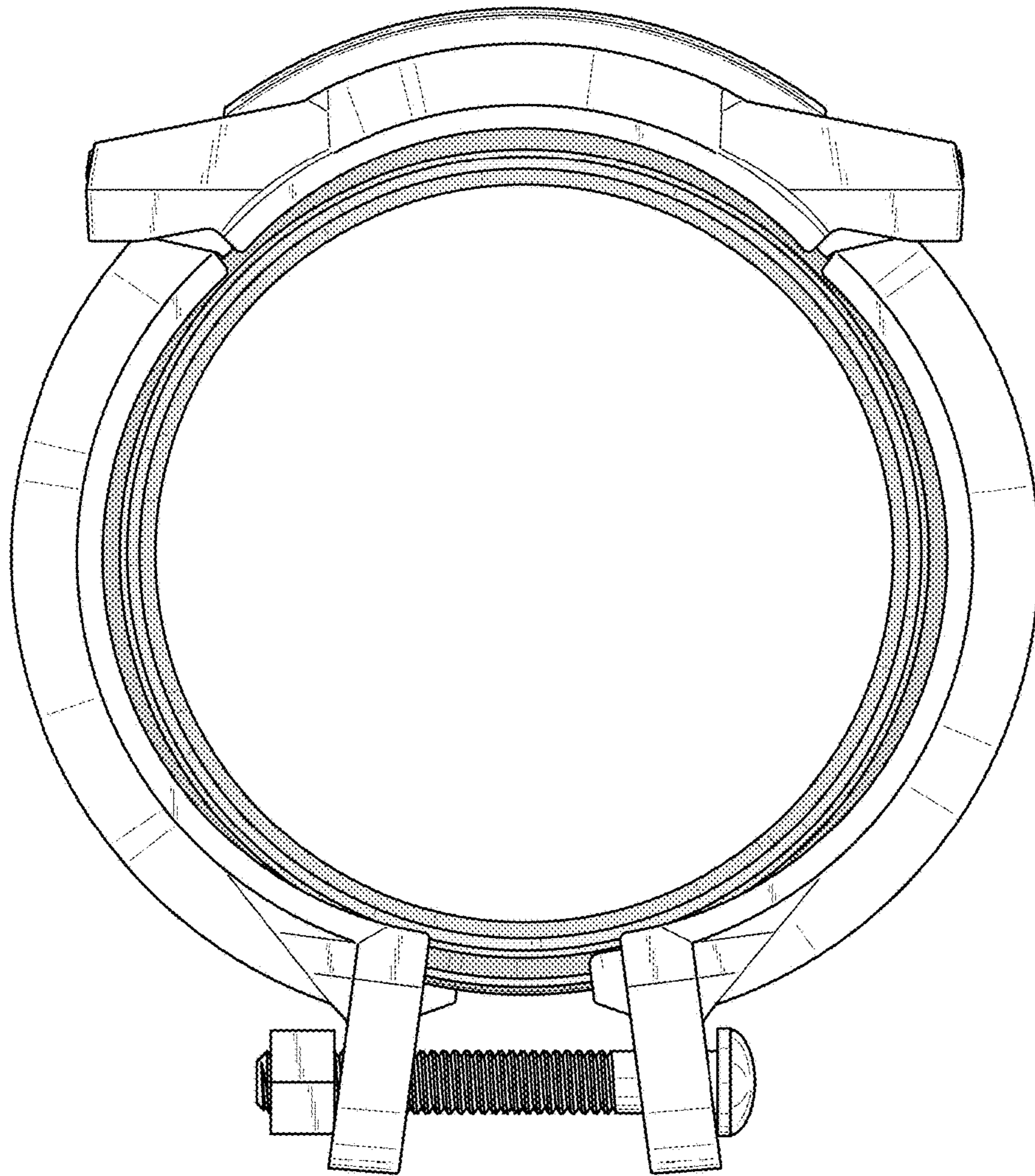
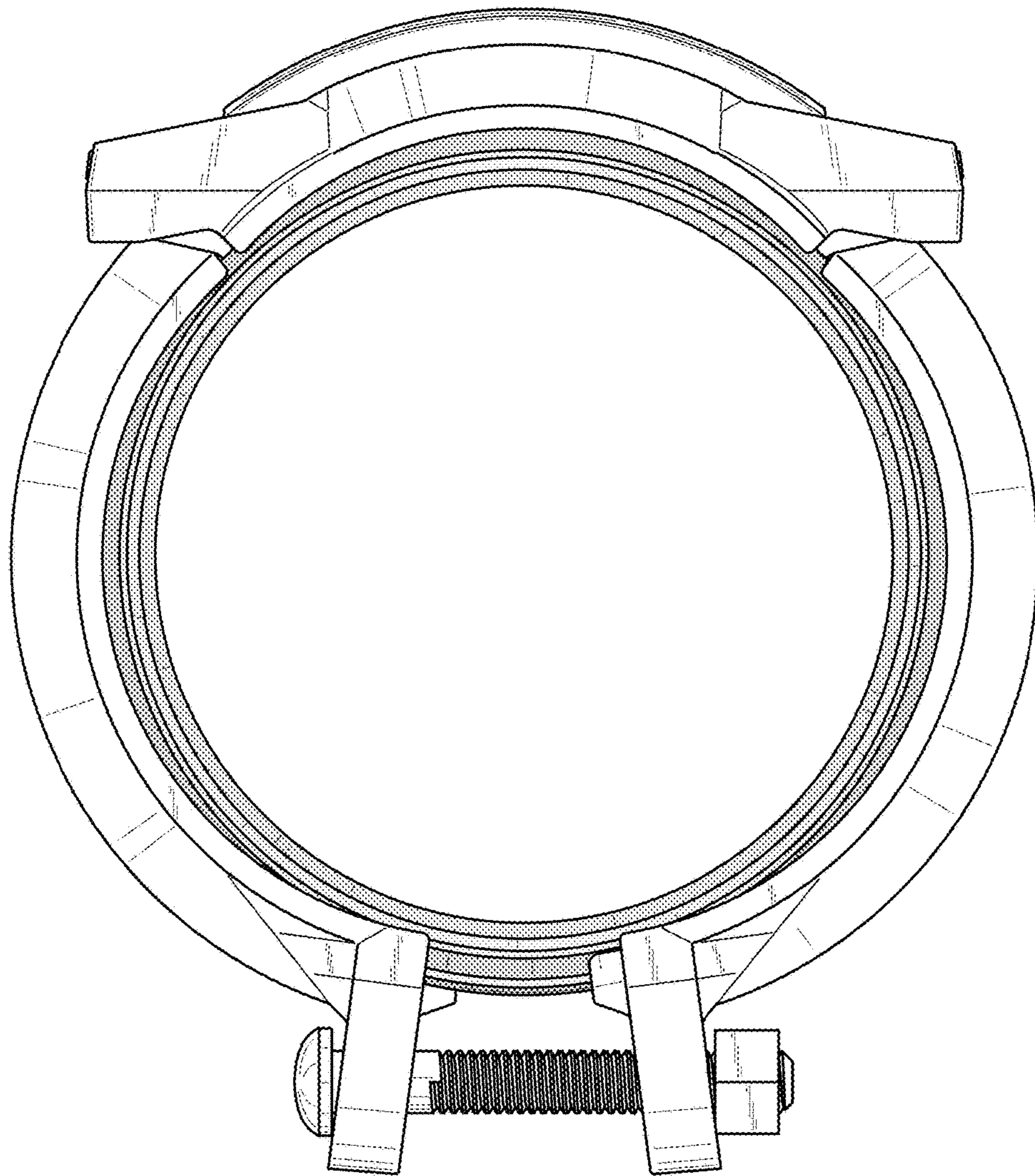


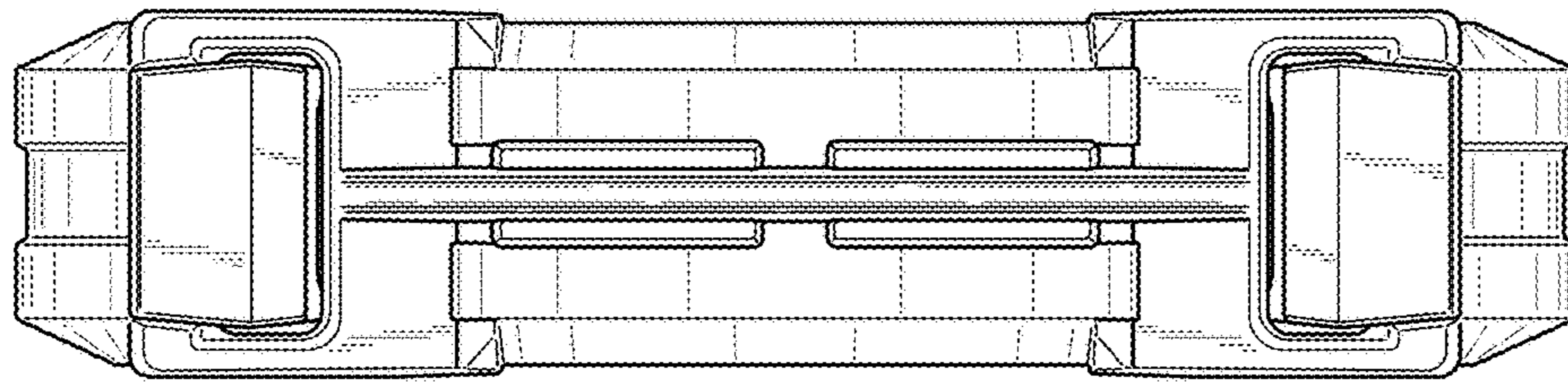
Fig. 1



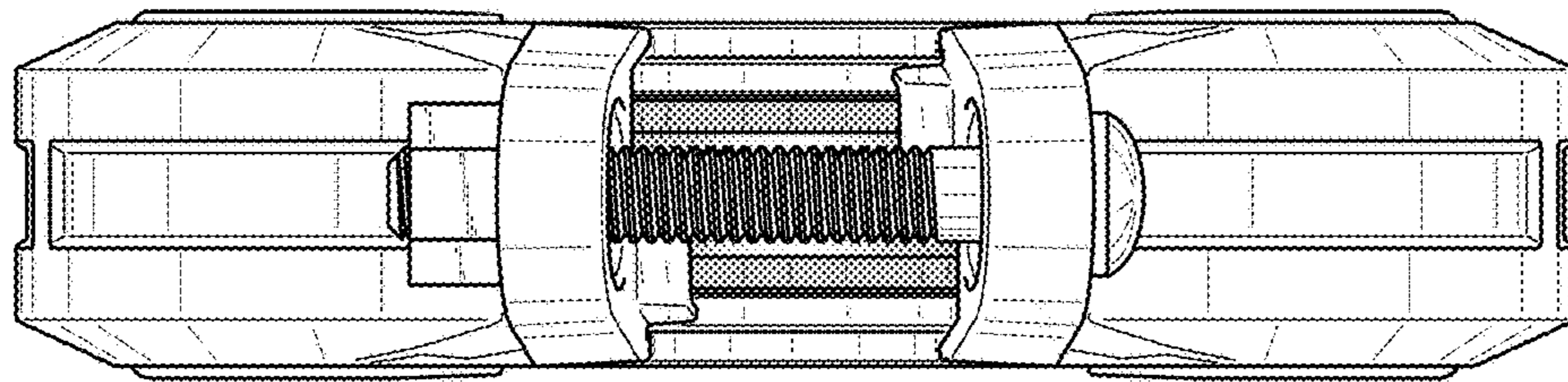
*Fig. 2*



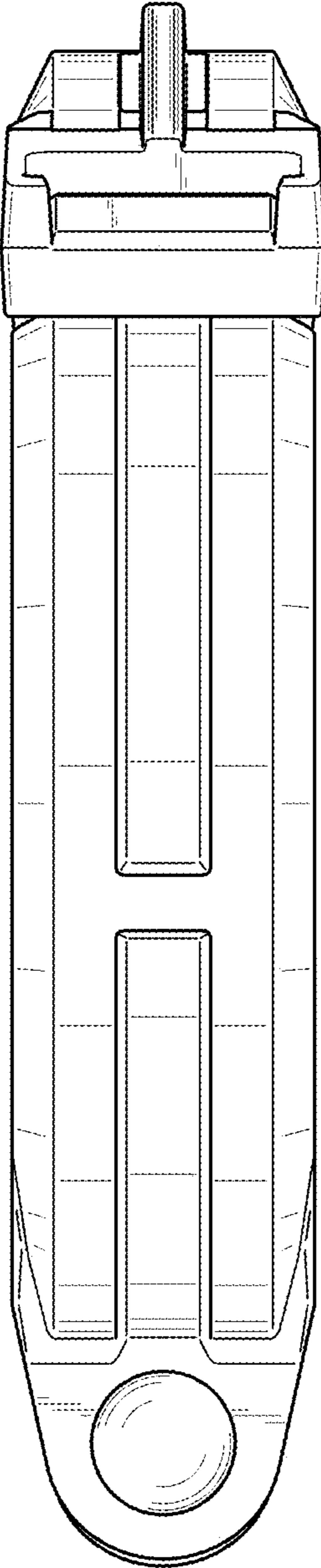
*Fig. 3*



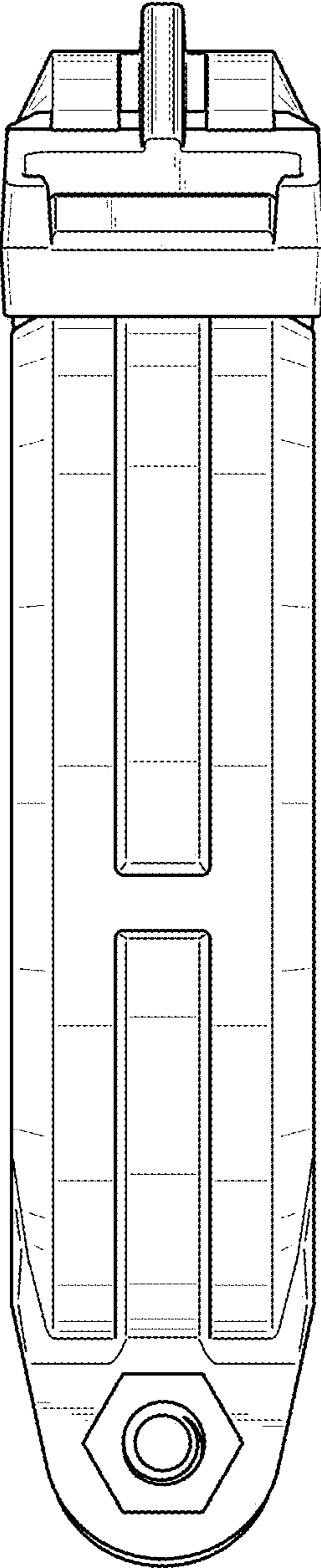
*Fig. 4*



*Fig. 5*



**Fig. 6**



**Fig. 7**