



US00D839396S

(12) **United States Design Patent**
Whitehead

(10) **Patent No.:** **US D839,396 S**
(45) **Date of Patent:** **** Jan. 29, 2019**

- (54) **OVERFLOW CAP**
- (71) Applicant: **IPS Corporation**, Collierville, TN (US)
- (72) Inventor: **James H. Whitehead**, Collierville, TN (US)
- (73) Assignee: **IPS CORPORATION**, Collierville, TN (US)
- (**) Term: **15 Years**
- (21) Appl. No.: **29/595,948**
- (22) Filed: **Mar. 3, 2017**
- (51) **LOC (11) Cl.** **23-01**
- (52) **U.S. Cl.**
USPC **D23/260**
- (58) **Field of Classification Search**
USPC D23/259-261, 267-268, 388, 397, 400, D23/406; 404/2-4; 210/163-164, 166; 454/275-277, 284, 289, 291; 4/613, 287, 4/679, 680-684, 689-694, 671-673; D9/454
CPC E03C 1/12; E03C 1/20; E03C 1/23; E03C 1/26; E03C 1/262; E03C 1/284; E03C 1/2302; E03C 1/2306; E03C 1/2001; E03C 1/2413; E03C 2001/2413; E03F 5/0408; E03F 5/06; E03F 5/00407; E03F 5/052; A47K 1/14; A47K 3/405; A47K 3/40
See application file for complete search history.

(56) **References Cited**

U.S. PATENT DOCUMENTS

- 1,375,222 A * 4/1921 Lutz E03C 1/262
138/89
- D254,928 S * 5/1980 Mathis D23/261
- D317,817 S * 6/1991 Stairs, Jr. D23/254
- 6,073,278 A * 6/2000 Ball E03C 1/24
4/694

- 6,138,298 A * 10/2000 Ball E03C 1/24
4/694
- 6,216,288 B1 * 4/2001 Bernau E03C 1/24
4/680
- D501,244 S * 1/2005 Bantz D23/261
(Continued)

Primary Examiner — Eric L Goodman
Assistant Examiner — Amy C Wierenga
(74) *Attorney, Agent, or Firm* — Womble Bond Dickinson (US) LLP

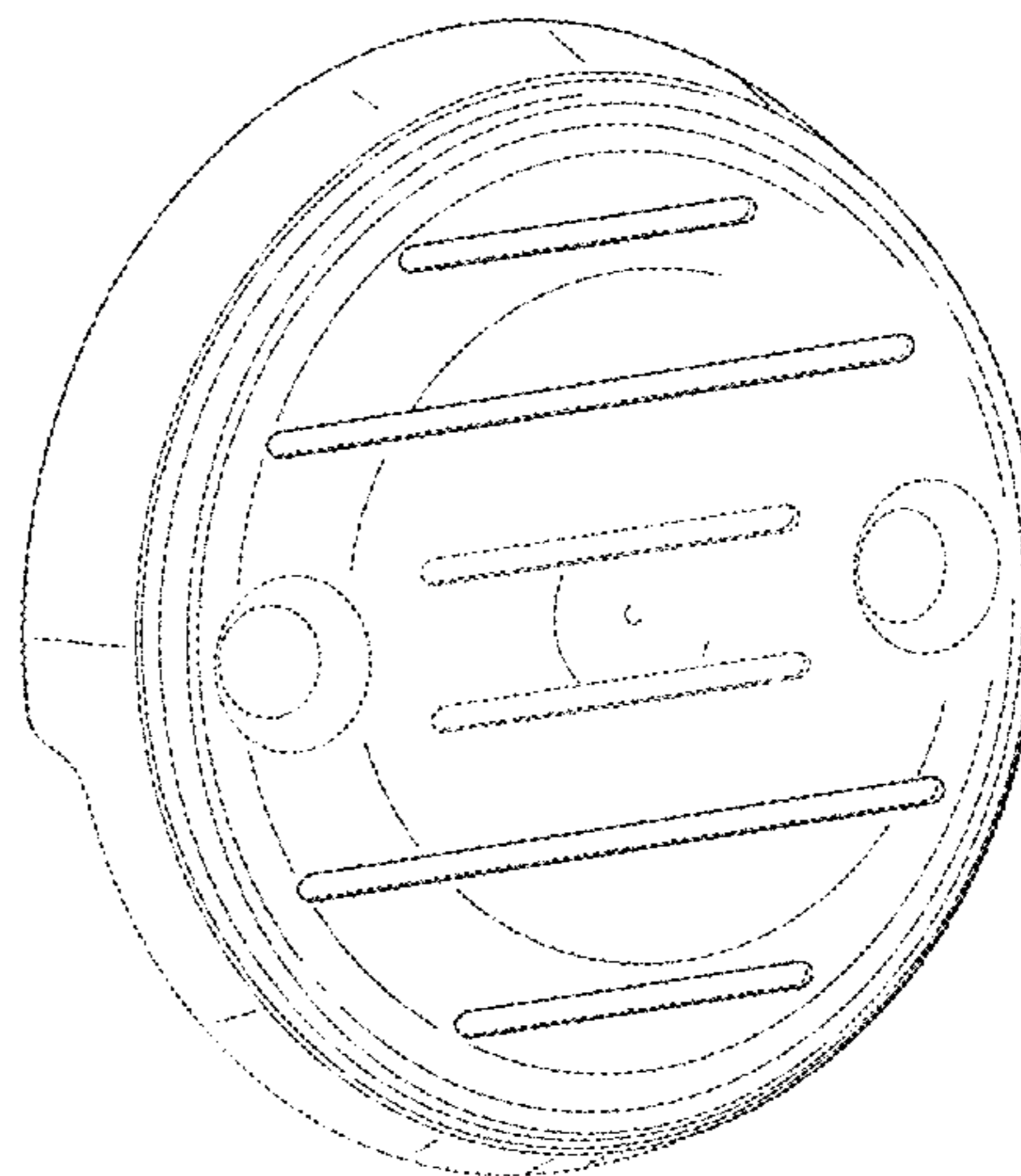
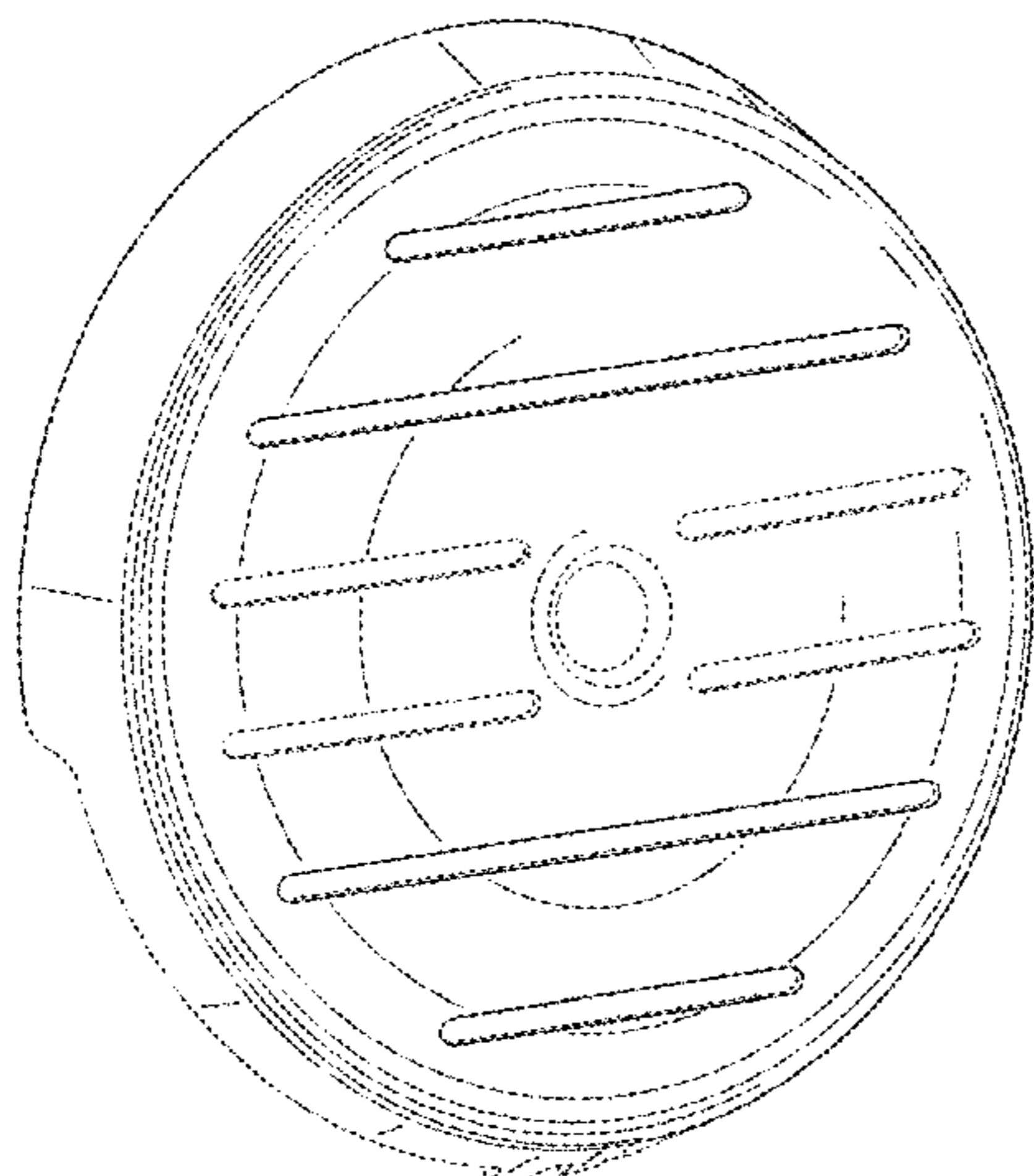
(57) **CLAIM**

The ornamental design for an overflow cap, shown and described.

DESCRIPTION

FIG. 1 is a perspective view of a first embodiment of an overflow cap according to my new design;
 FIG. 2 is a top plan view thereof;
 FIG. 3 is a bottom plan view thereof;
 FIG. 4 is a left side elevation view thereof, the opposite, right side being a mirror image thereof;
 FIG. 5 is a front elevation view thereof;
 FIG. 6 is a rear elevation view thereof;
 FIG. 7 is a cross-sectional view thereof taken along the cut lines 7-7 in FIG. 5;
 FIG. 8 is a perspective view of a second embodiment of an overflow cap according to my new design;
 FIG. 9 is a bottom plan view thereof;
 FIG. 10 is a top plan view thereof;
 FIG. 11 is a left side elevation view thereof, the opposite, right side being a mirror image thereof;
 FIG. 12 is a front elevation view thereof;
 FIG. 13 is a rear elevation view thereof; and,
 FIG. 14 is a cross-sectional view thereof taken along the cut lines 14-14 in FIG. 12.
 The broken lines showing in the views illustrate portions of the overflow cap that form no part of the claimed design. Any shading and cross-hatching are not features of the design but are utilized to illustrate the surface contours of the design.

1 Claim, 10 Drawing Sheets



(56)

References Cited

U.S. PATENT DOCUMENTS

D673,656	S *	1/2013	Feliciano	D23/261
D682,995	S *	5/2013	Feliciano	D23/261
D682,996	S *	5/2013	Feliciano	D23/261
D683,436	S *	5/2013	Feliciano	D23/261
2014/0223659	A1 *	8/2014	Gay	E03C 1/244
					4/694
2017/0335554	A1 *	11/2017	Kuo	E03C 1/24

* cited by examiner

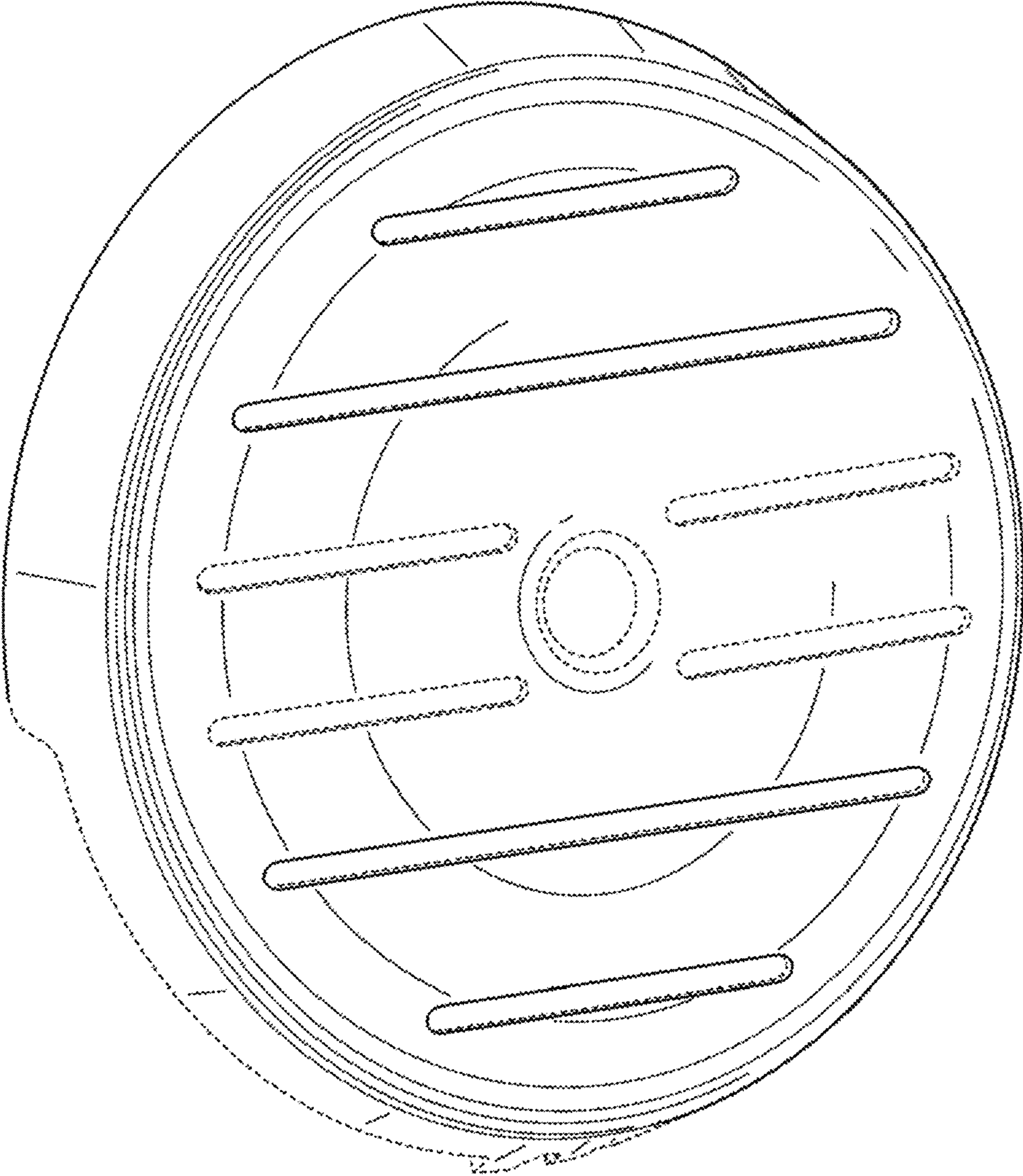


FIG. 1

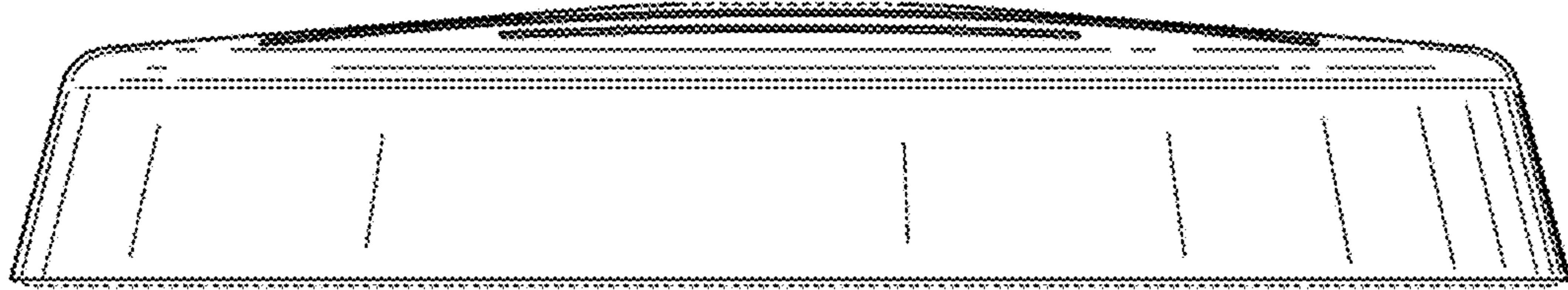


FIG. 2

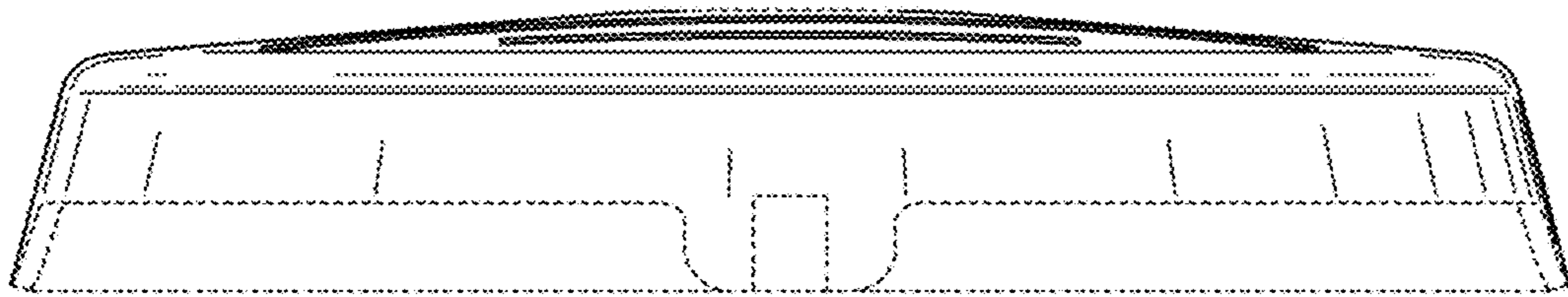


FIG. 3

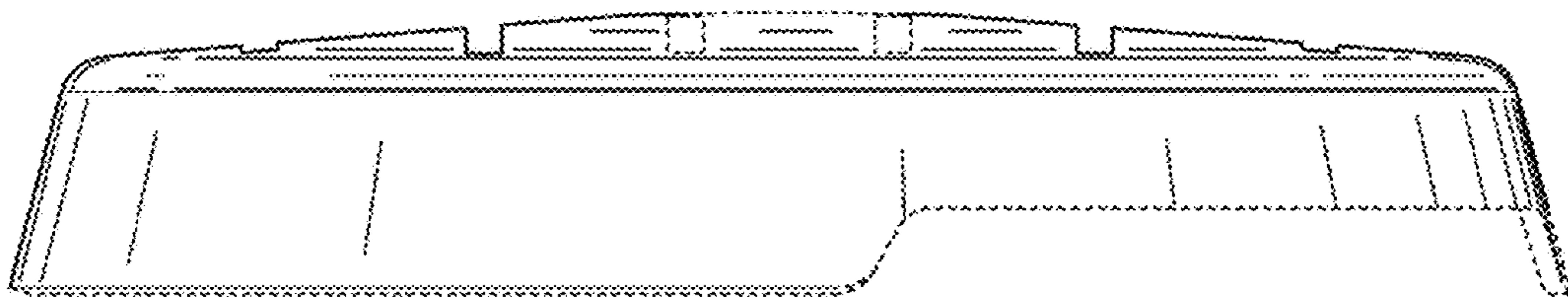


FIG. 4

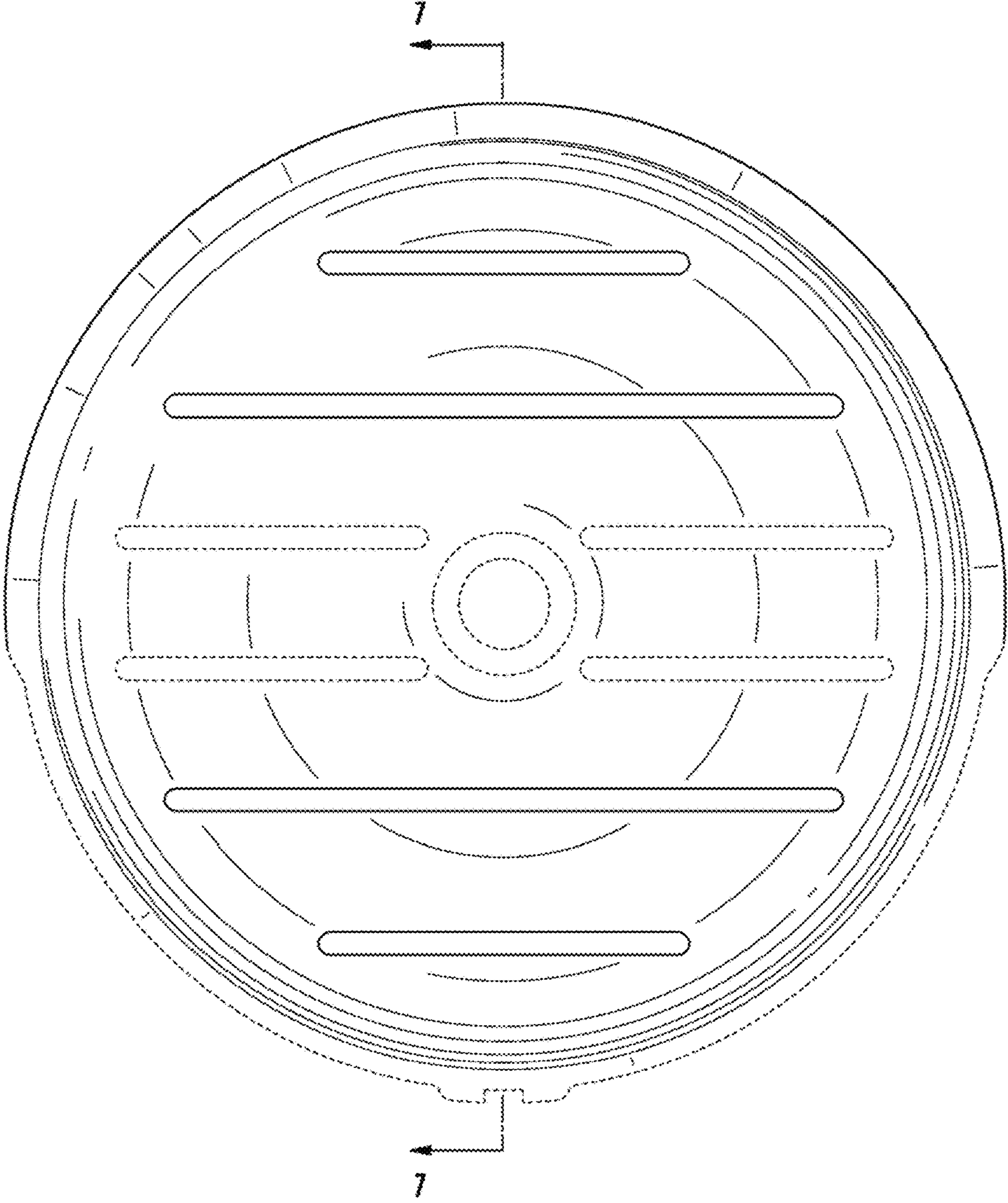


FIG. 5



FIG. 6

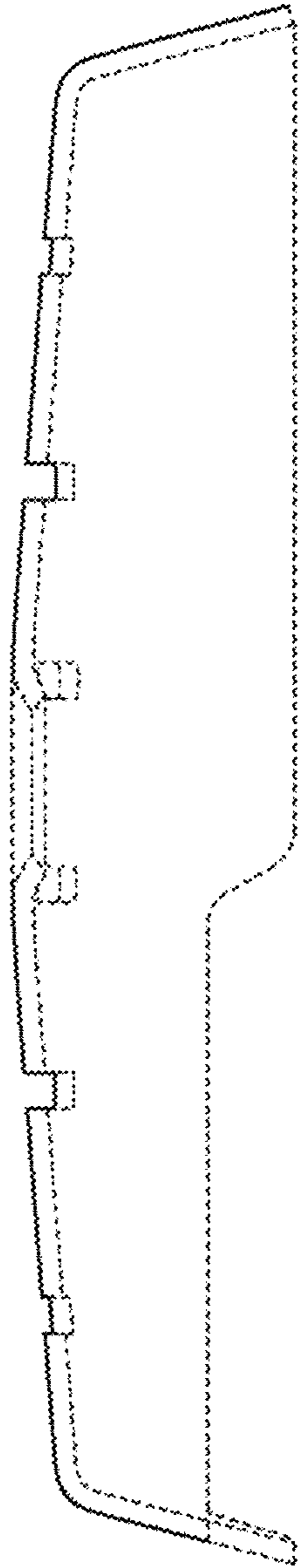


FIG. 7

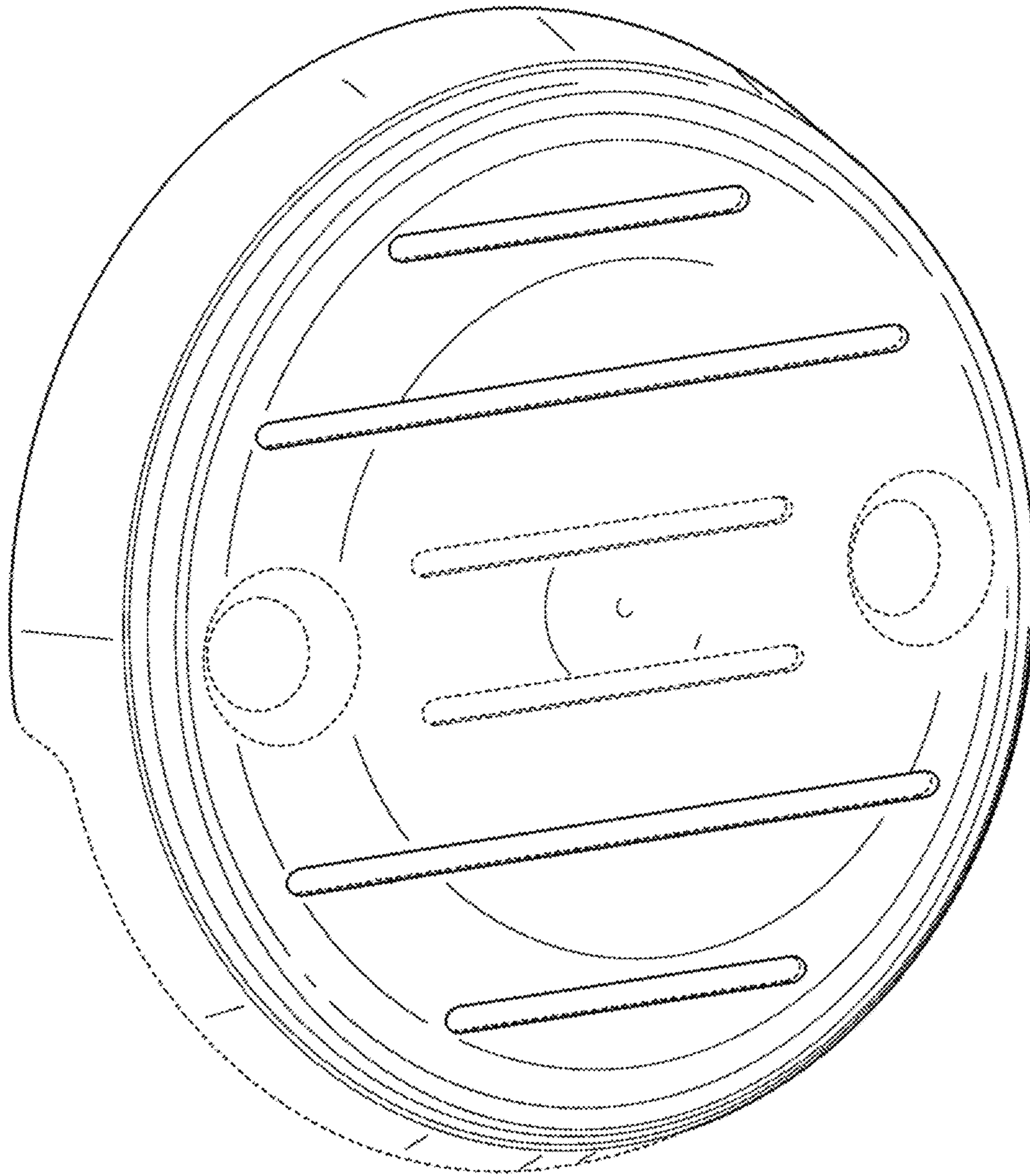


FIG. 8

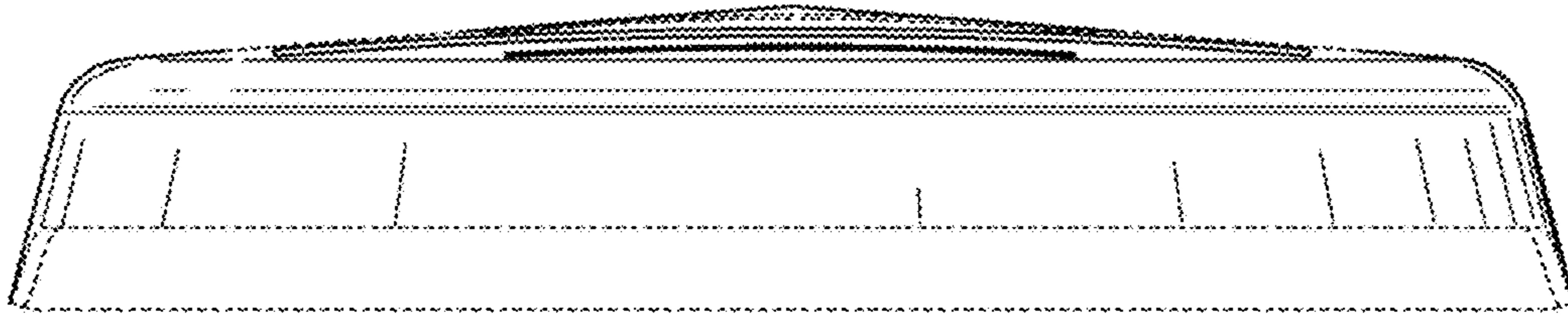


FIG. 9

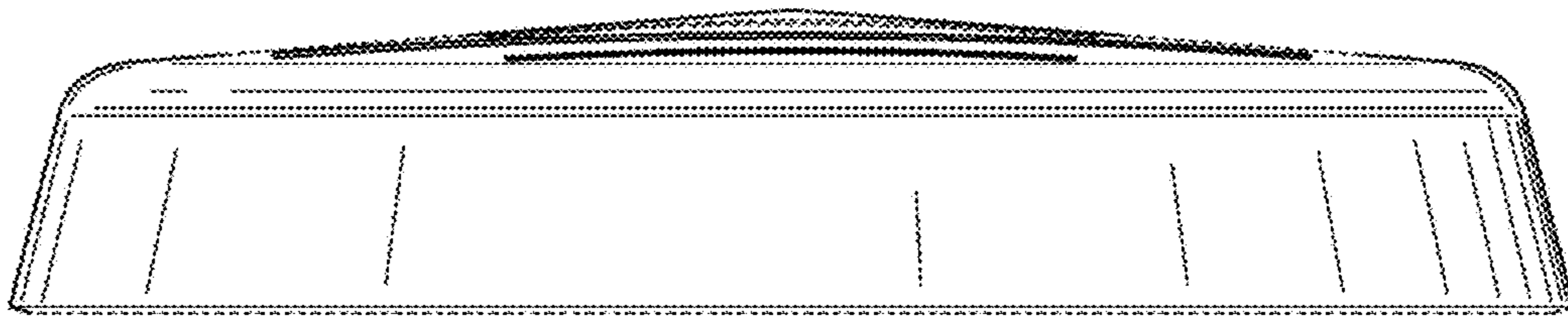


FIG. 10

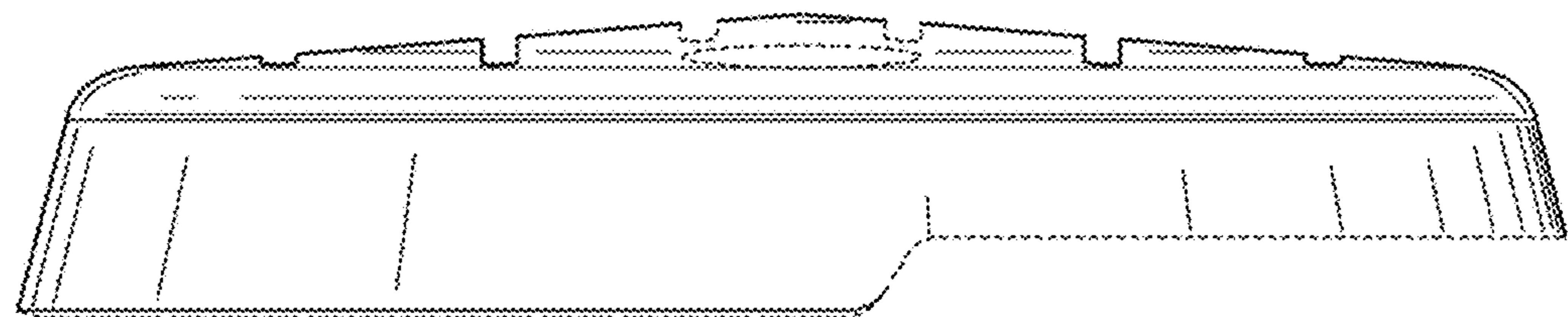


FIG. 11

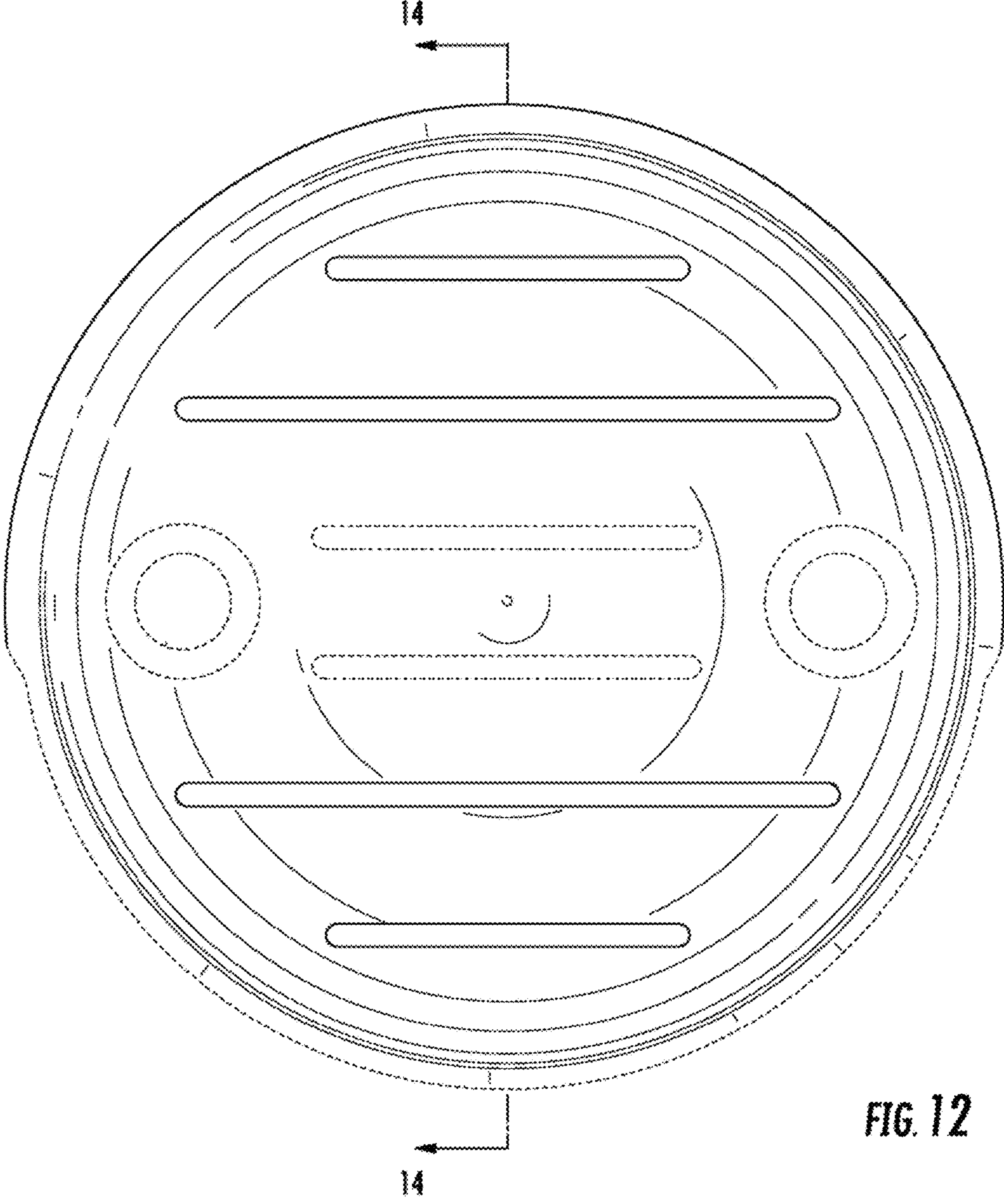


FIG. 12

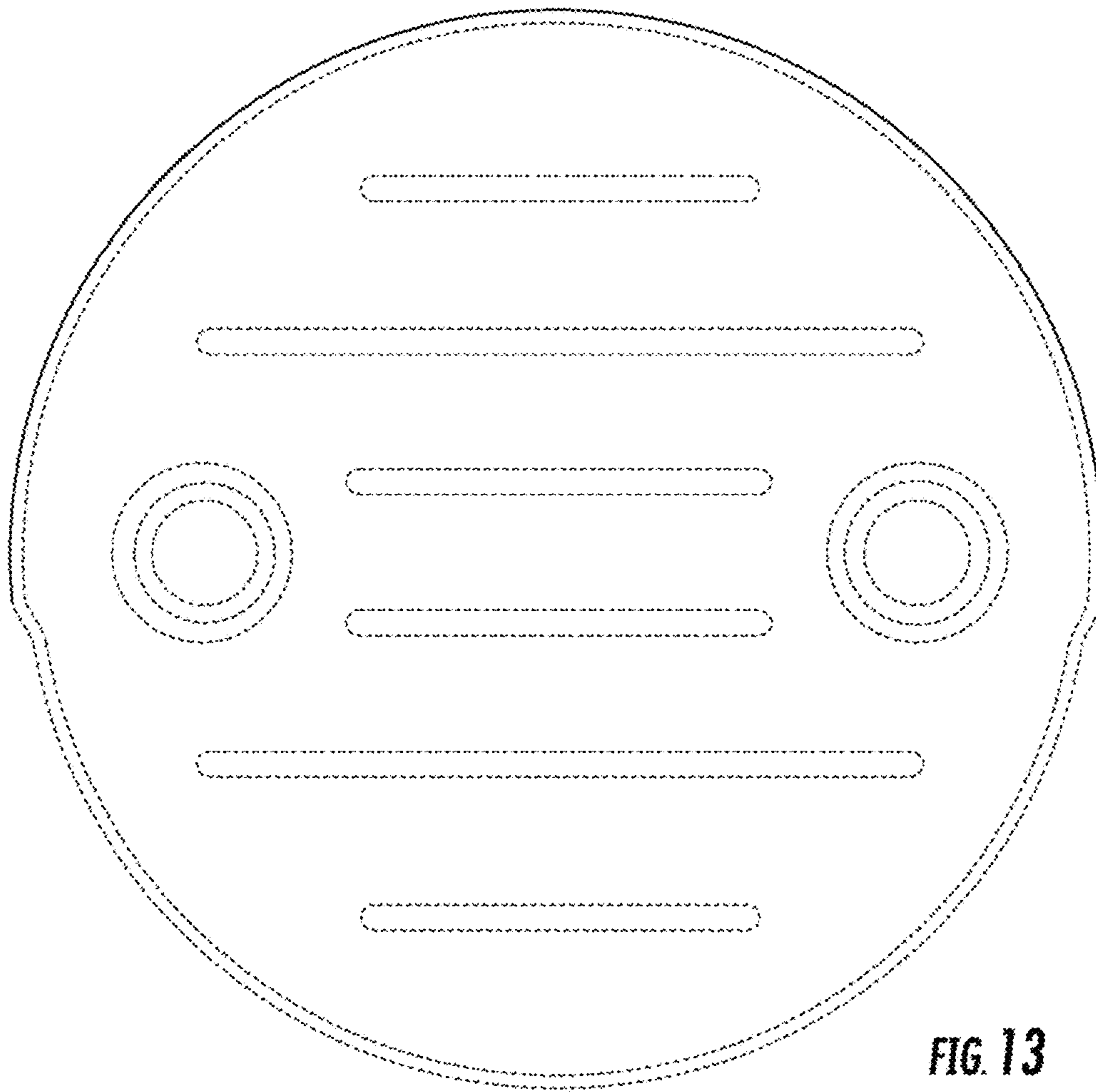


FIG. 13

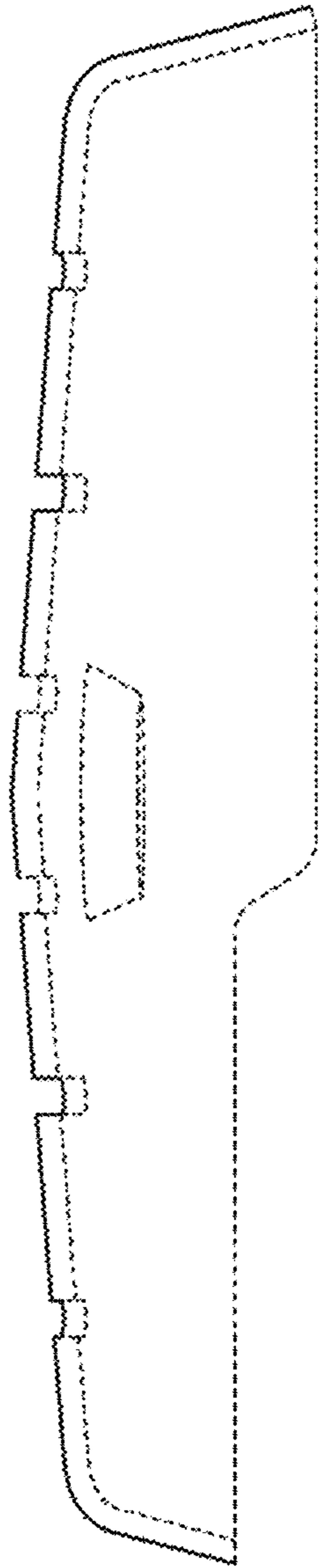


FIG. 14