



US00D839395S

(12) **United States Design Patent**
Schaubach et al.

(10) **Patent No.:** **US D839,395 S**
(45) **Date of Patent:** **** Jan. 29, 2019**

- (54) **SPOUT**
- (71) Applicant: **Spectrum Brands, Inc.**, Middleton, WI (US)
- (72) Inventors: **Lauren Schaubach**, Costa Mesa, CA (US); **Selia Ke**, Fujian (CN)
- (73) Assignee: **Spectrum Brands, Inc.**, Middleton, WI (US)
- (**) Term: **15 Years**
- (21) Appl. No.: **29/630,876**
- (22) Filed: **Dec. 22, 2017**
- (51) **LOC (11) Cl.** **23-01**
- (52) **U.S. Cl.**
USPC **D23/255**
- (58) **Field of Classification Search**
USPC D23/238-242, 249, 255, 257
CPC Y10T 137/9464
See application file for complete search history.

- D442,266 S * 5/2001 Marinov D23/255
- D477,059 S * 7/2003 Schonherr D23/255
- D654,148 S * 2/2012 Romero D23/242
- D678,985 S * 3/2013 Berger D23/255
- D679,367 S 4/2013 Kwok
- D790,667 S 6/2017 Schaubach et al.
- D791,281 S 7/2017 Schaubach et al.

* cited by examiner

Primary Examiner — Robert A Delehanty
(74) *Attorney, Agent, or Firm* — Banner & Witcoff, Ltd.

(57) **CLAIM**

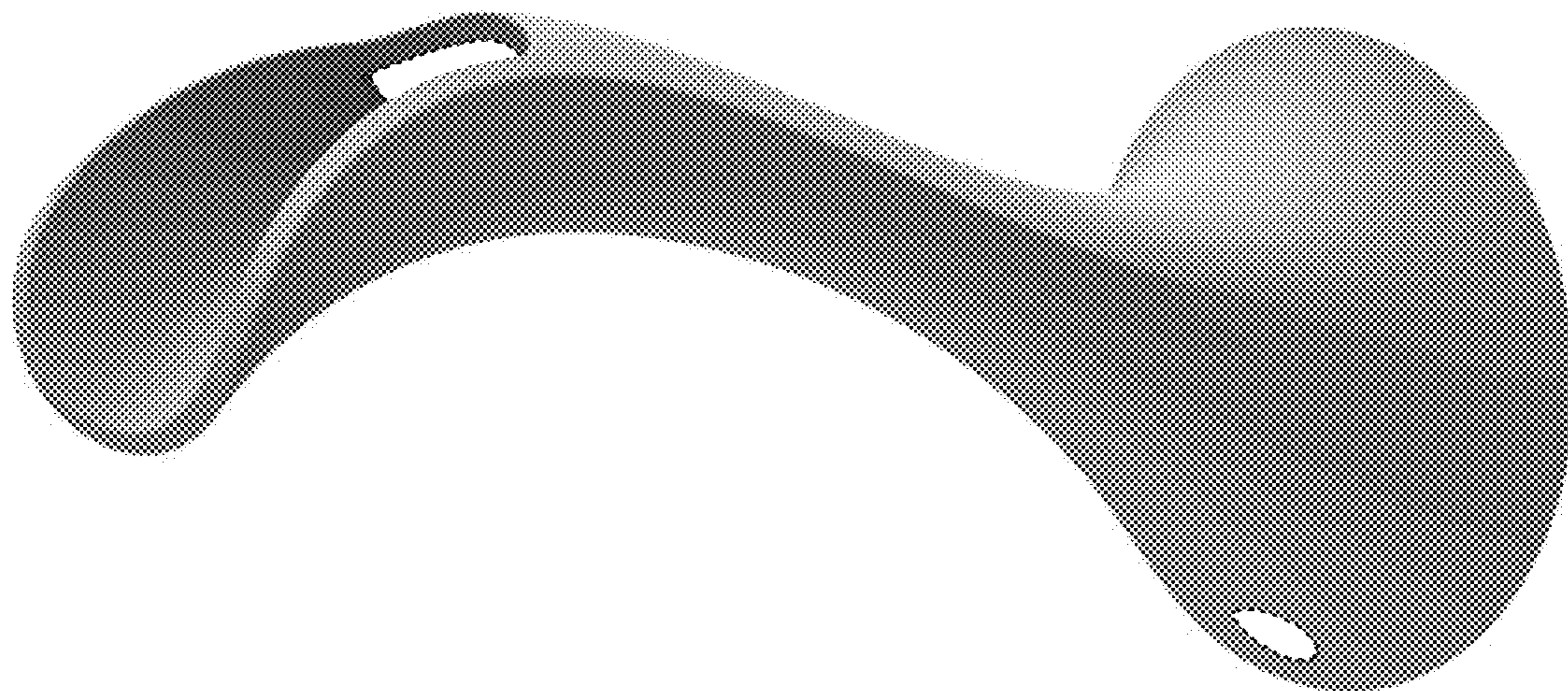
The ornamental design for a spout, as shown and described.

DESCRIPTION

FIG. 1 is a front perspective view of a spout showing our new design;
FIG. 2 is a front view thereof;
FIG. 3 is a rear view thereof;
FIG. 4 is a left side view thereof;
FIG. 5 is a right side view thereof;
FIG. 6 is a top view thereof; and,
FIG. 7 is a bottom view thereof.
The broken lines immediately adjacent to the photographic area in FIGS. 1-3 and 7 define the bounds of the claimed design and form no part thereof.

1 Claim, 7 Drawing Sheets

- (56) **References Cited**
U.S. PATENT DOCUMENTS
D301,605 S * 6/1989 Jans D23/255
D365,143 S * 12/1995 Fabian D23/255



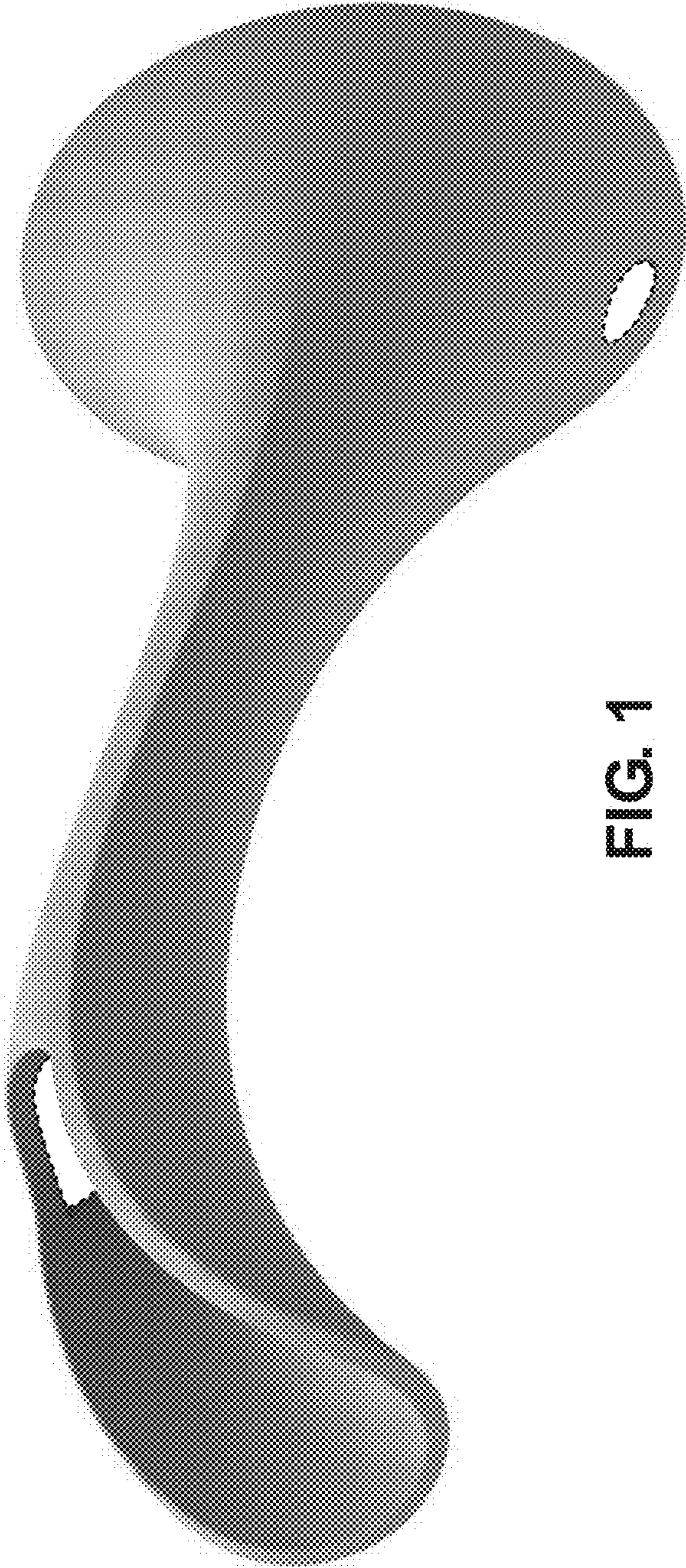


FIG. 1

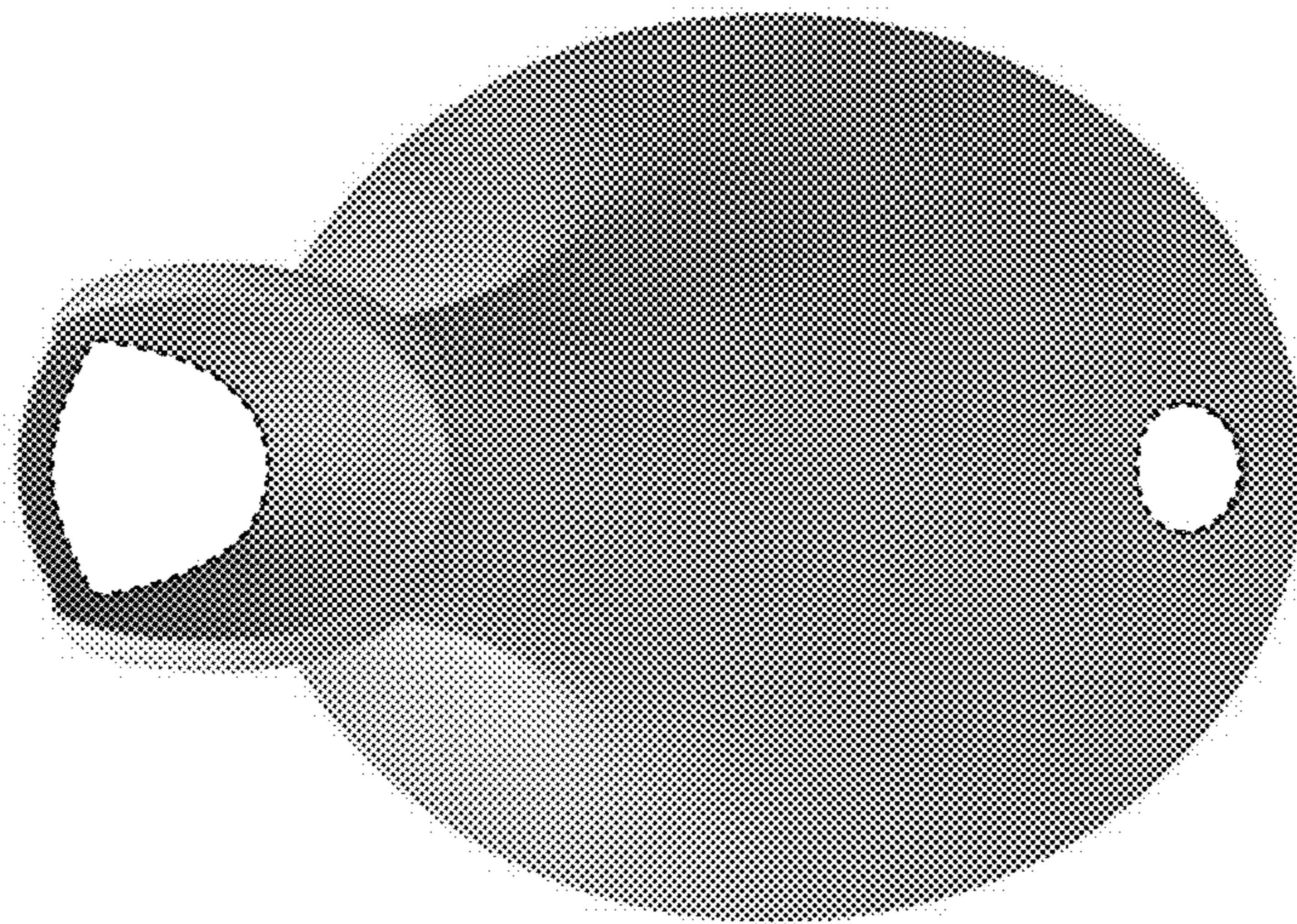


FIG. 2

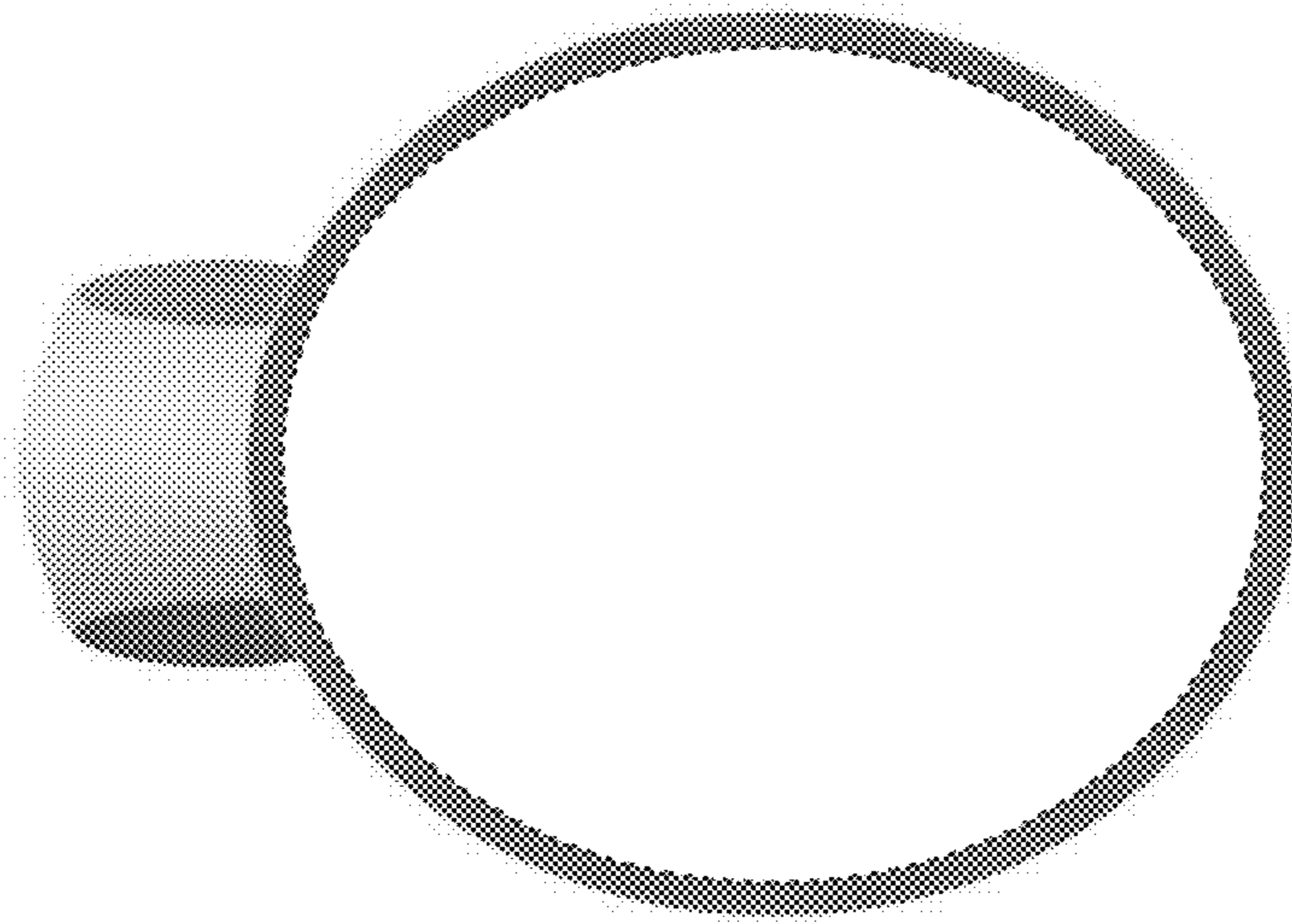


FIG. 3

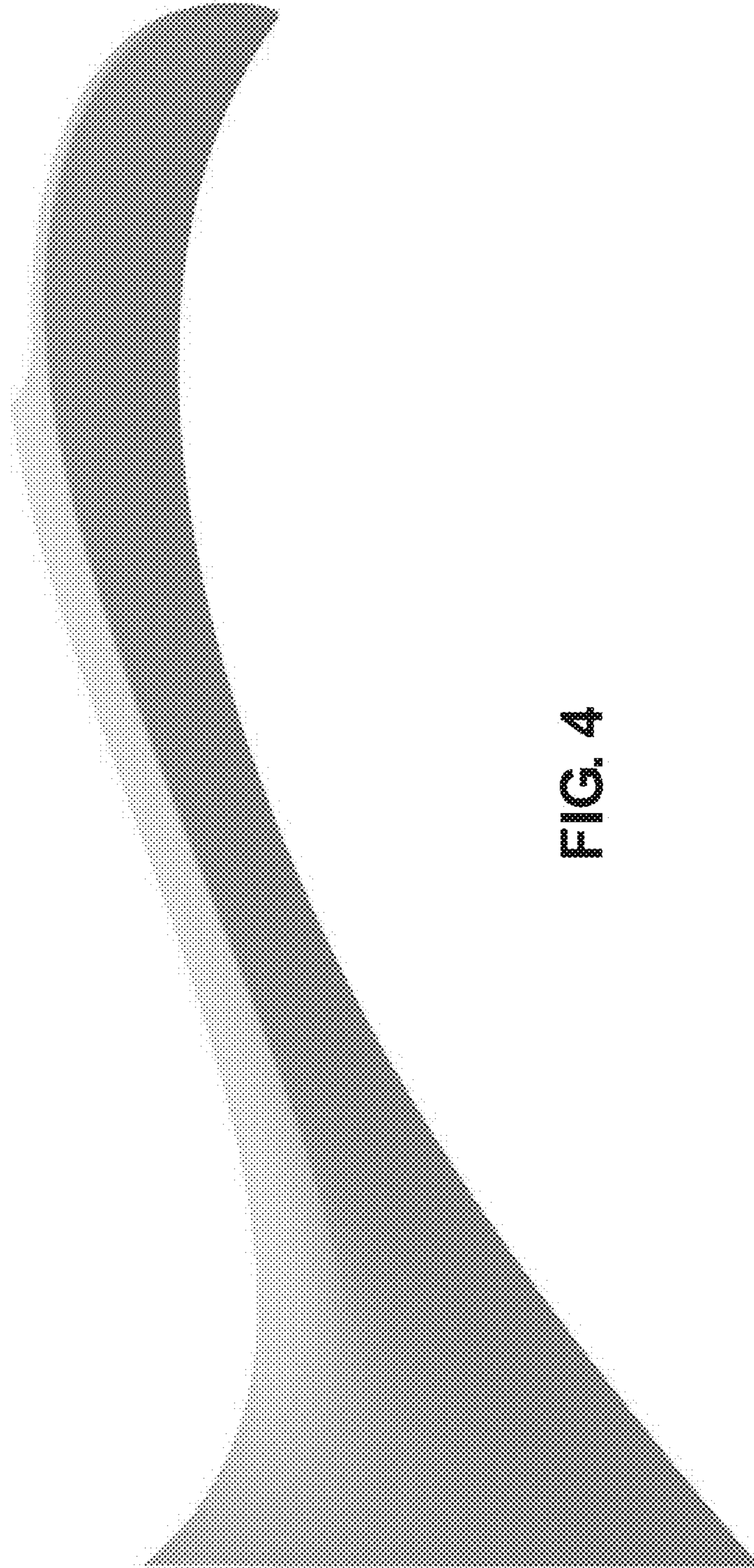


FIG. 4

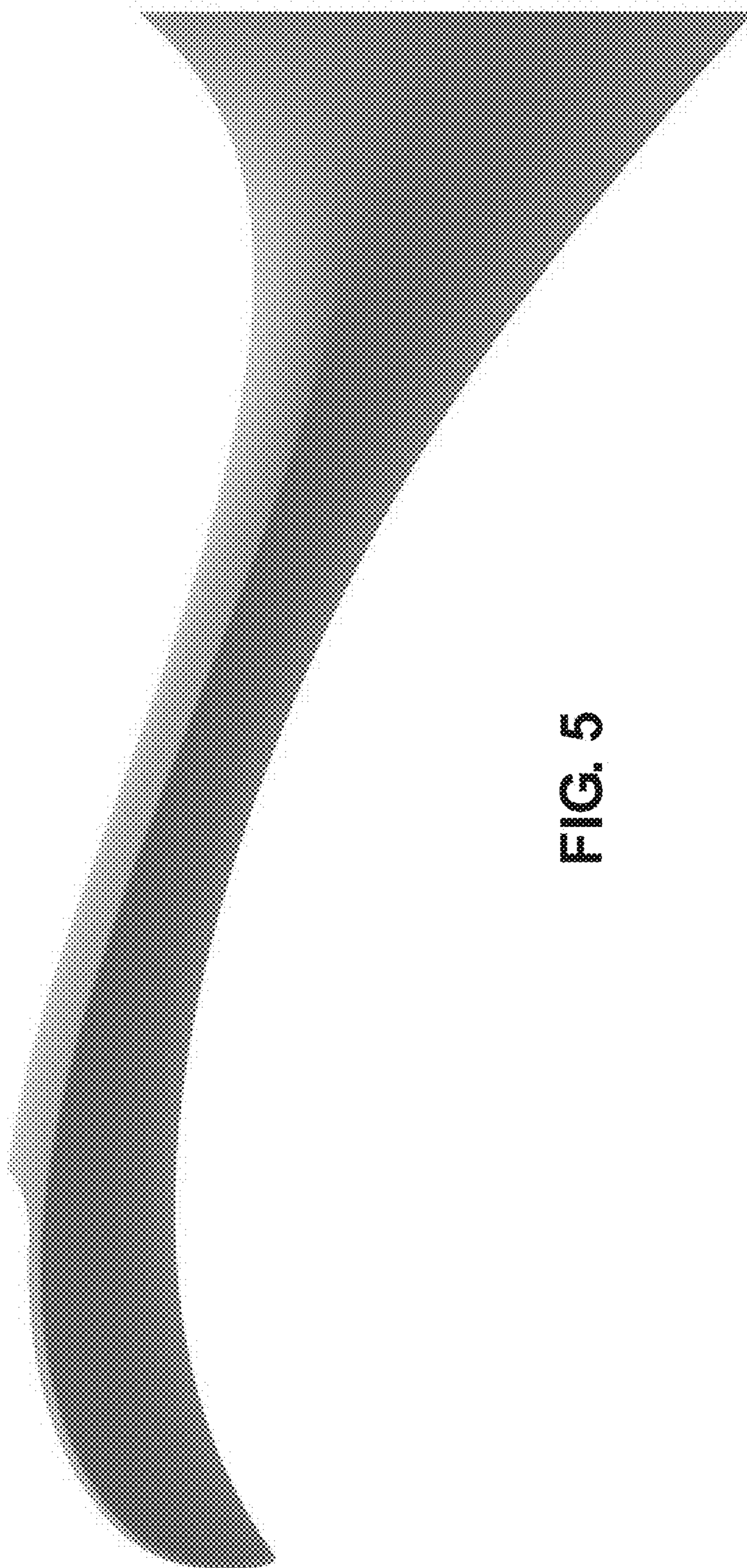


FIG. 5

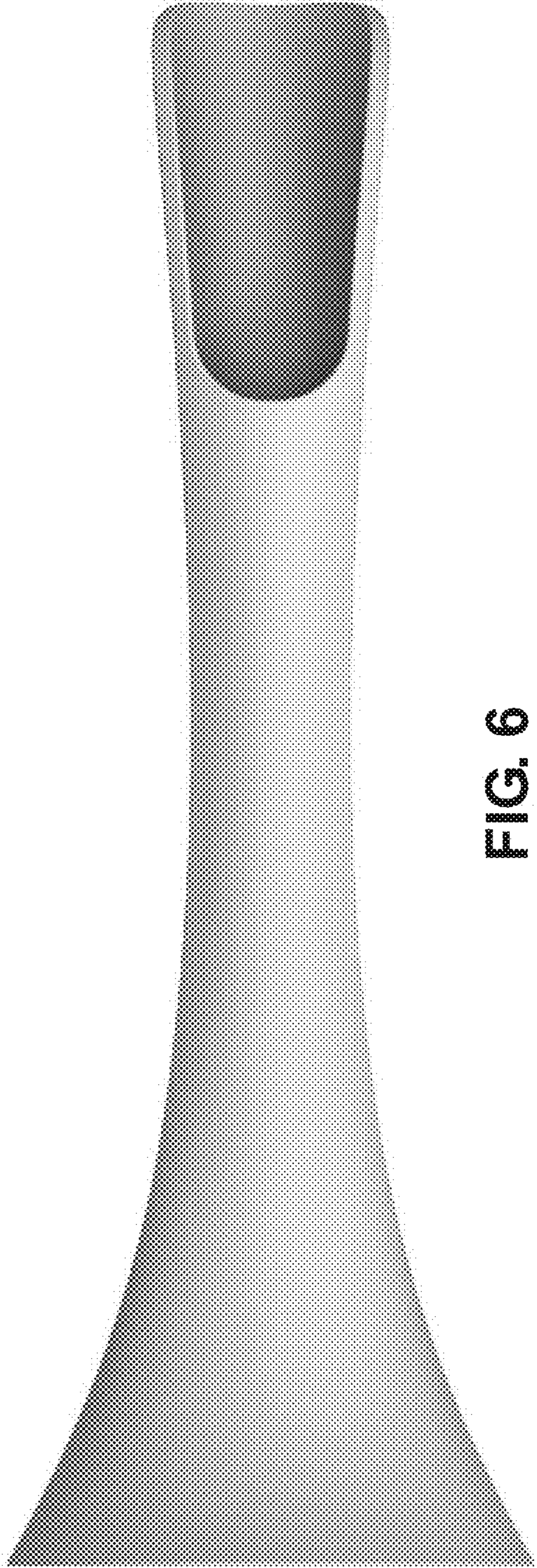


FIG. 6

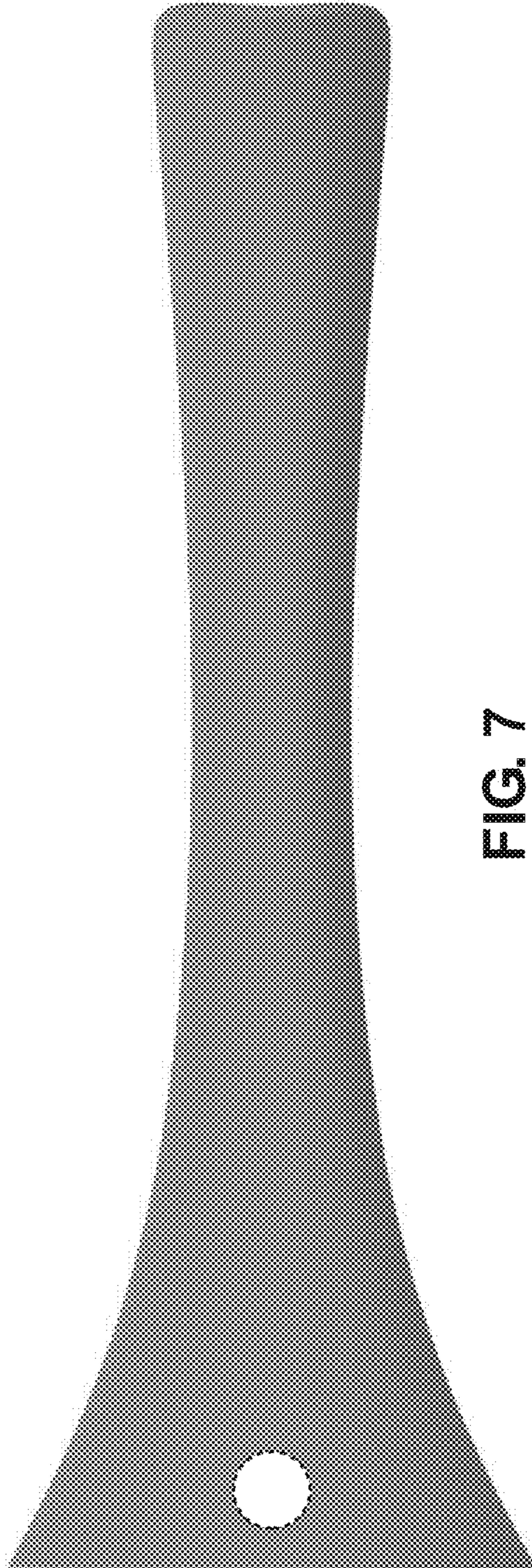


FIG. 7