



US00D839392S

(12) **United States Design Patent** (10) **Patent No.:** **US D839,392 S**  
**Cummings et al.** (45) **Date of Patent:** **\*\* Jan. 29, 2019**

(54) **SPOUT ASSEMBLY**

(71) Applicant: **Caroma Industries Limited**, Eagle Farm Queensland (AU)  
 (72) Inventors: **Stephen John Cummings**, New South Wales (AU); **Leonie Carolyn Brickwood**, New South Wales (AU)  
 (73) Assignee: **Caroma Industries Limited**, Queensland (AU)  
 (\*\*) Term: **15 Years**  
 (21) Appl. No.: **29/604,683**  
 (22) Filed: **May 19, 2017**

(30) **Foreign Application Priority Data**

Apr. 12, 2017 (AU) ..... 201712148  
 (51) **LOC (11) Cl.** ..... **23-01**  
 (52) **U.S. Cl.**  
 USPC ..... **D23/255**  
 (58) **Field of Classification Search**  
 USPC ..... D23/238–243, 249, 255, 257  
 CPC ..... E03C 1/0412; Y10T 137/9464  
 See application file for complete search history.

(56) **References Cited**

U.S. PATENT DOCUMENTS

D472,308 S *	3/2003	Hundley .....	D23/238
D570,960 S *	6/2008	Semchuck .....	D23/238
D607,976 S *	1/2010	Lammel .....	D23/255
D652,899 S *	1/2012	Citterio .....	D23/255
D747,443 S *	1/2016	Flowers .....	D23/255

\* cited by examiner

*Primary Examiner* — Robert A Delehanty

(74) *Attorney, Agent, or Firm* — Wood, Phillips, Katz, Clark & Mortimer

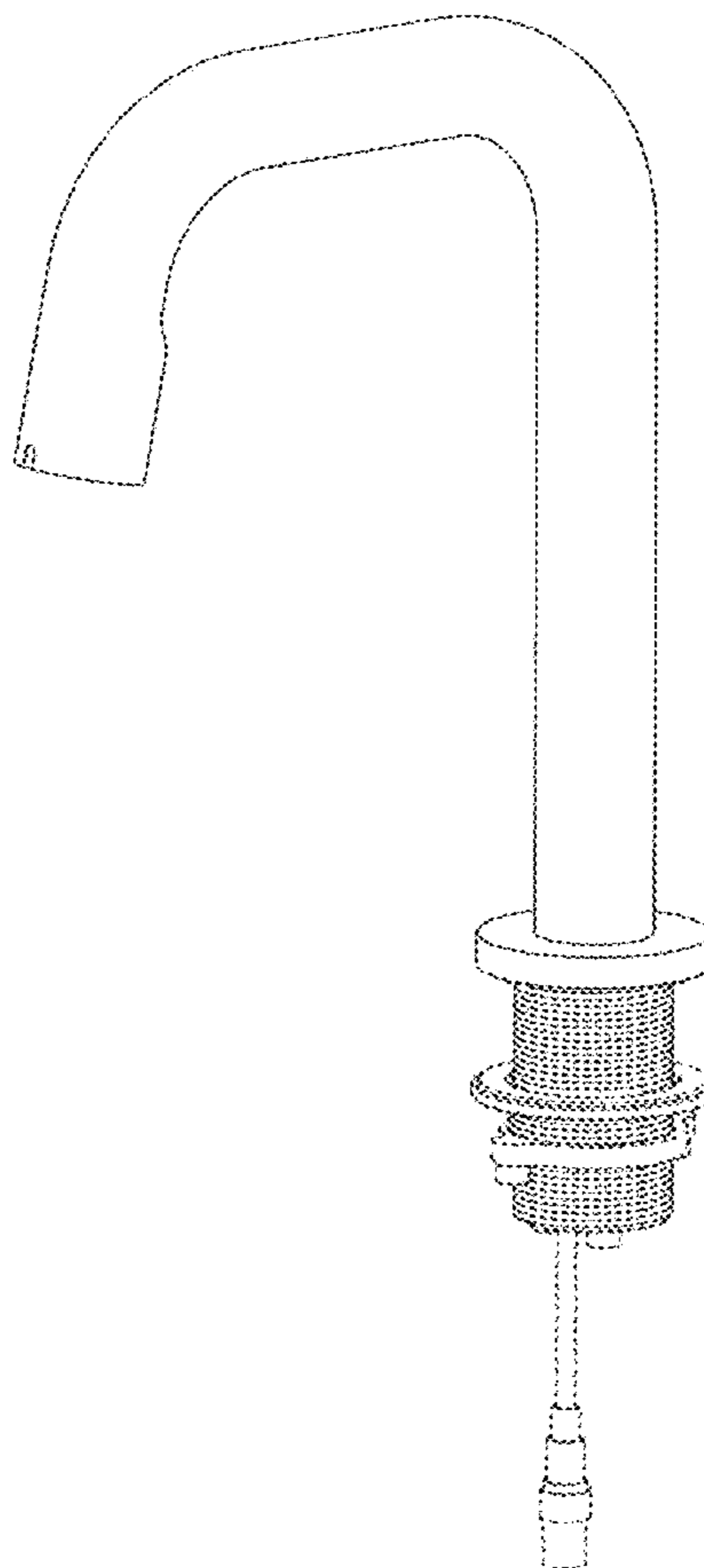
(57) **CLAIM**

The ornamental design for a spout assembly, as shown and described.

**DESCRIPTION**

FIG. 1 is a perspective view taken from the top front and right side showing the spout assembly;  
 FIG. 2 is a top plan view of the spout assembly;  
 FIG. 3 is a rear elevation view of the spout assembly;  
 FIG. 4 is a left view of the spout assembly;  
 FIG. 5 is a front view of the spout assembly;  
 FIG. 6 is a right view of the spout assembly; and,  
 FIG. 7 is a bottom view of the spout assembly.

**1 Claim, 7 Drawing Sheets**



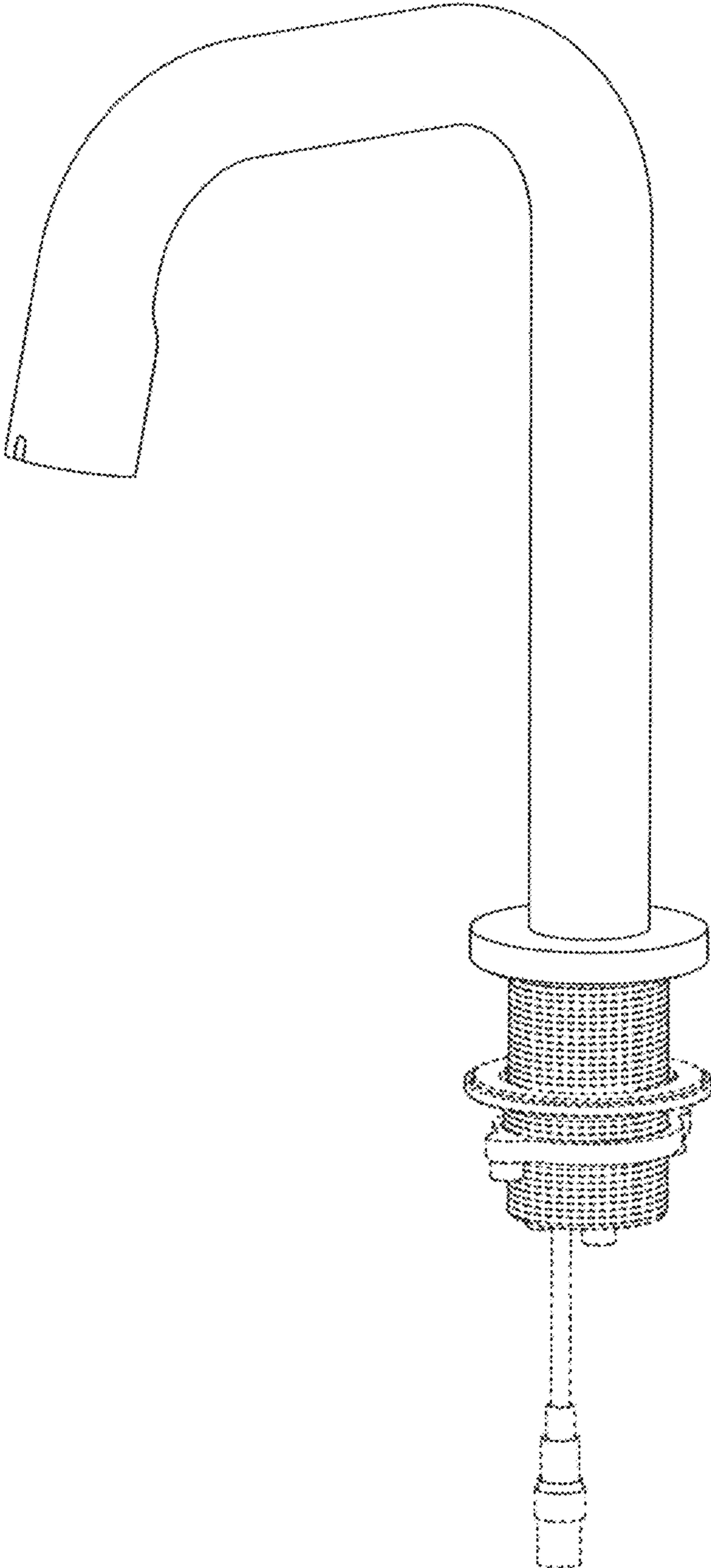


FIG. 1

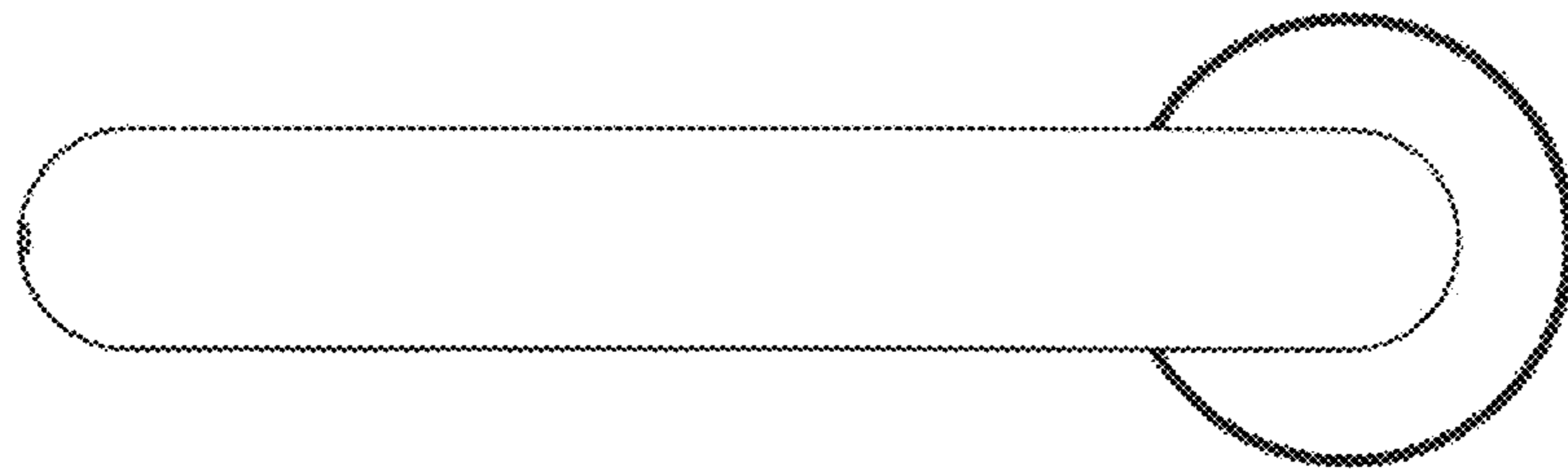


FIG. 2

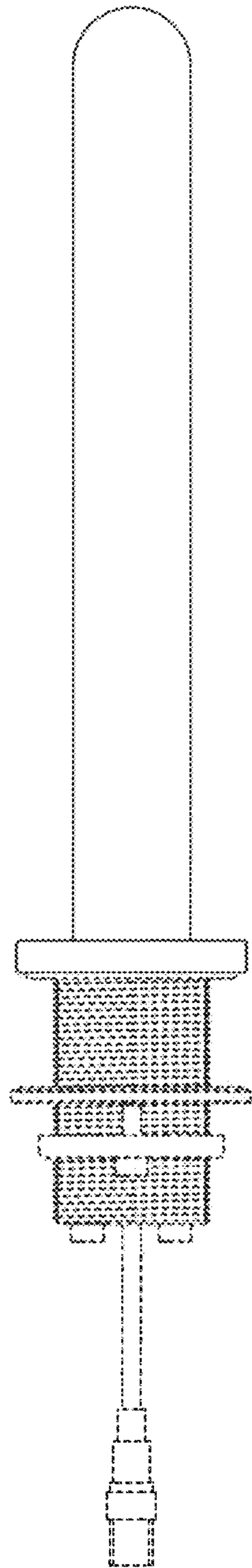


FIG. 3

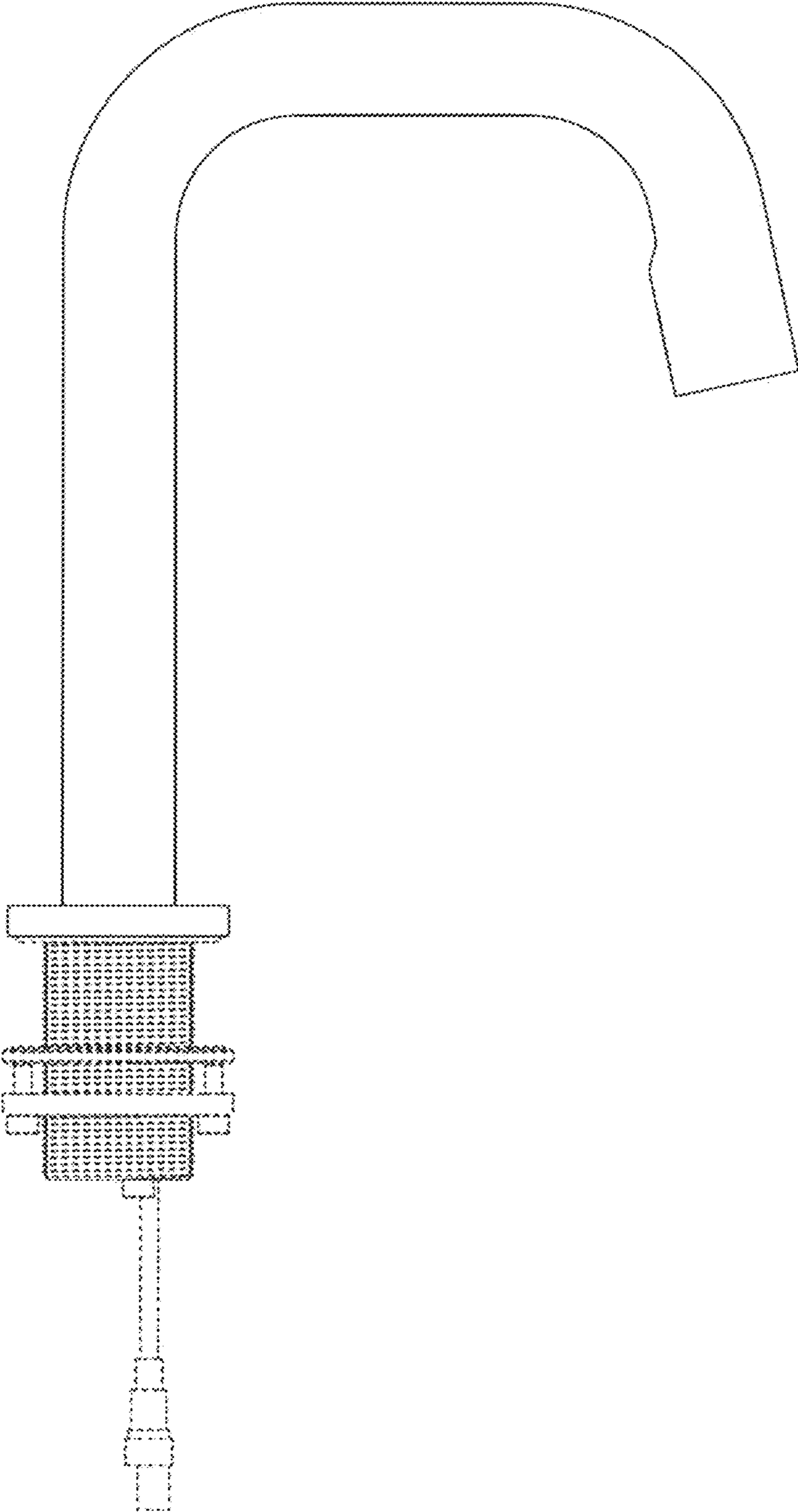


FIG. 4

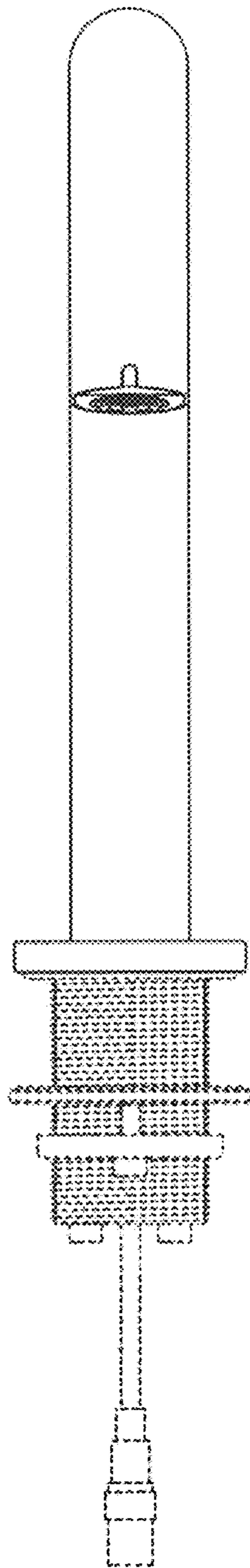


FIG. 5

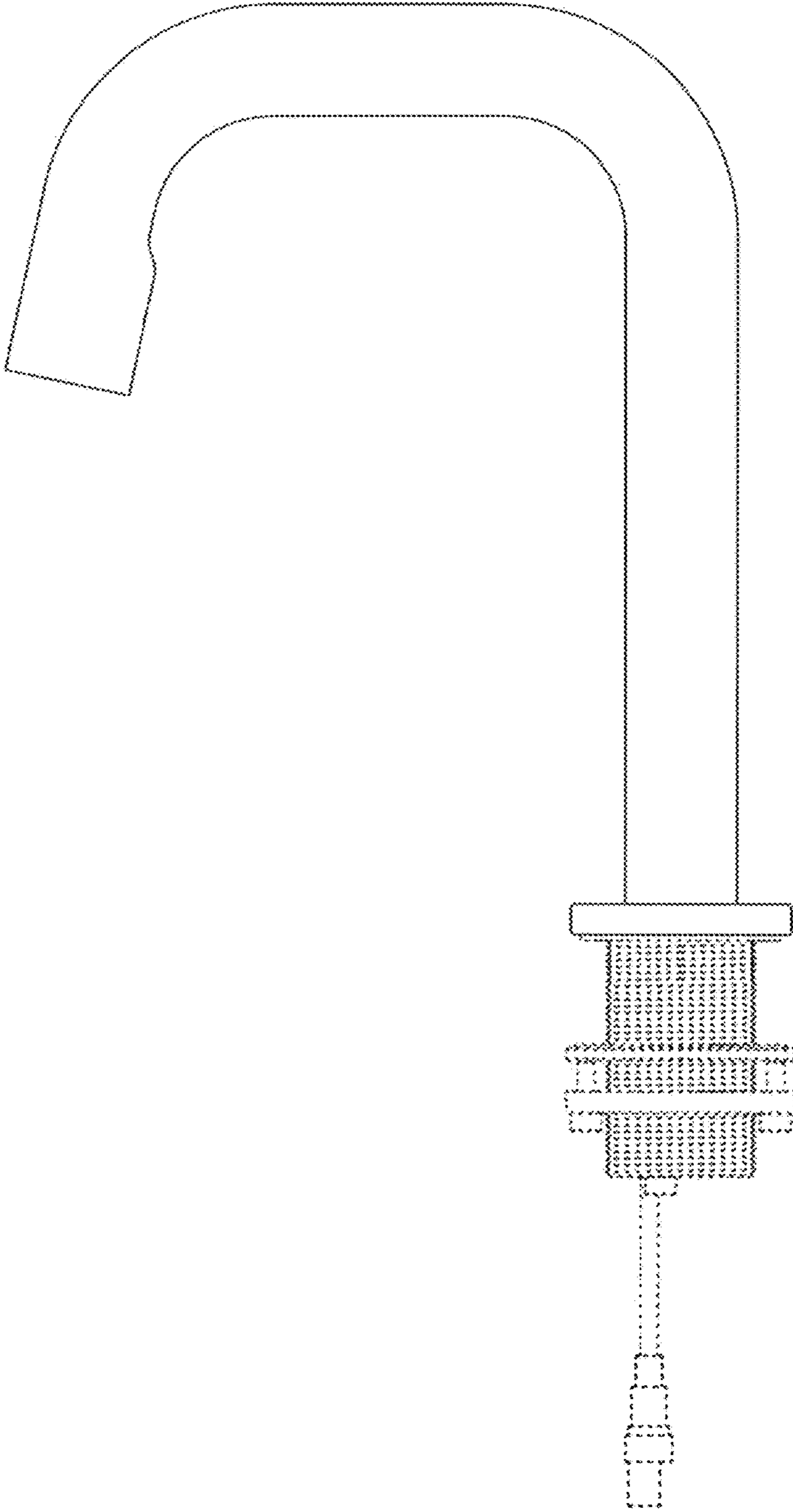


FIG. 6

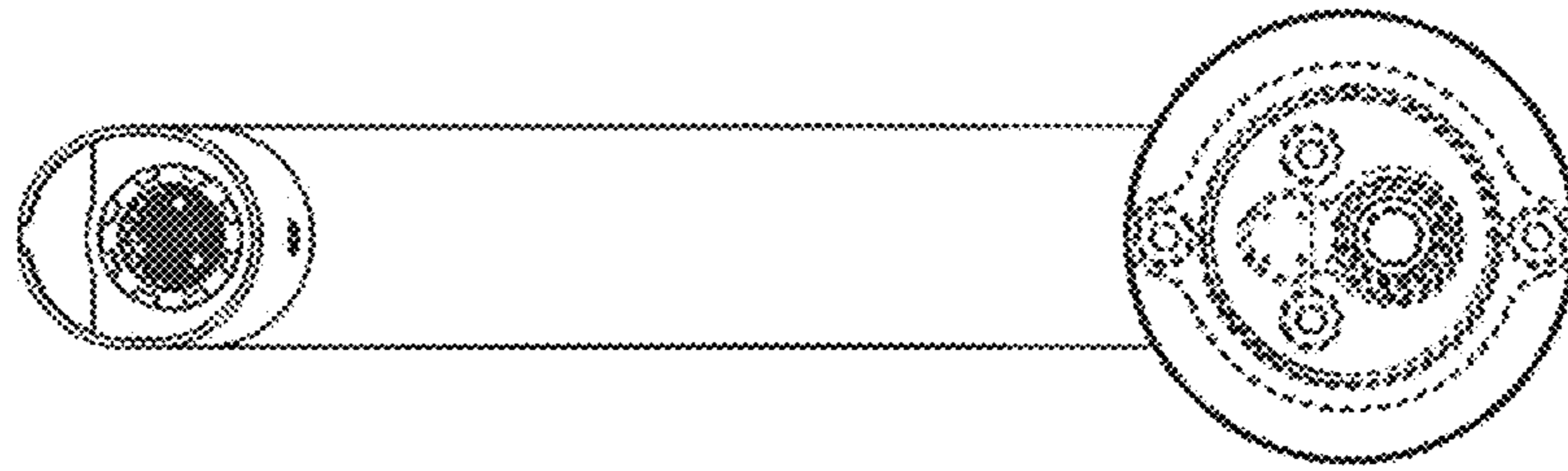


FIG. 7