



US00D839391S

(12) **United States Design Patent**
Eads et al.

(10) **Patent No.:** **US D839,391 S**

(45) **Date of Patent:** **** Jan. 29, 2019**

(54) **FAUCET HANDLE**

D518,149 S * 3/2006 Spangler D23/241
D655,787 S * 3/2012 Obara D23/242
D713,509 S * 9/2014 Potter D23/242

(71) Applicant: **DELTA FAUCET COMPANY**,
Indianapolis, IN (US)

* cited by examiner

(72) Inventors: **Thad Eads**, Urbana, IN (US); **Jordan Bahler**, Frankfort, IN (US)

Primary Examiner — Robert A Delehanty

(73) Assignee: **DELTA FAUCET COMPANY**,
Indianapolis, IN (US)

(74) *Attorney, Agent, or Firm* — Edgar A. Zarins; Nirav D. Parikh

(**) Term: **15 Years**

(57) **CLAIM**

(21) Appl. No.: **29/595,030**

The ornamental design for a faucet handle, as shown and described.

(22) Filed: **Feb. 24, 2017**

(51) **LOC (11) Cl.** **23-01**

(52) **U.S. Cl.**

USPC **D23/252**

(58) **Field of Classification Search**

USPC D23/238, 241–243, 249–250, 252, 254;
D8/307–308

CPC Y10T 137/9464

See application file for complete search history.

DESCRIPTION

FIG. 1 is a perspective view of a faucet handle showing my new design;

FIG. 2 is a second perspective view thereof;

FIG. 3 is a top plan view thereof;

FIG. 4 is a first side view thereof;

FIG. 5 is a first end view thereof;

FIG. 6 is a second side view thereof; and,

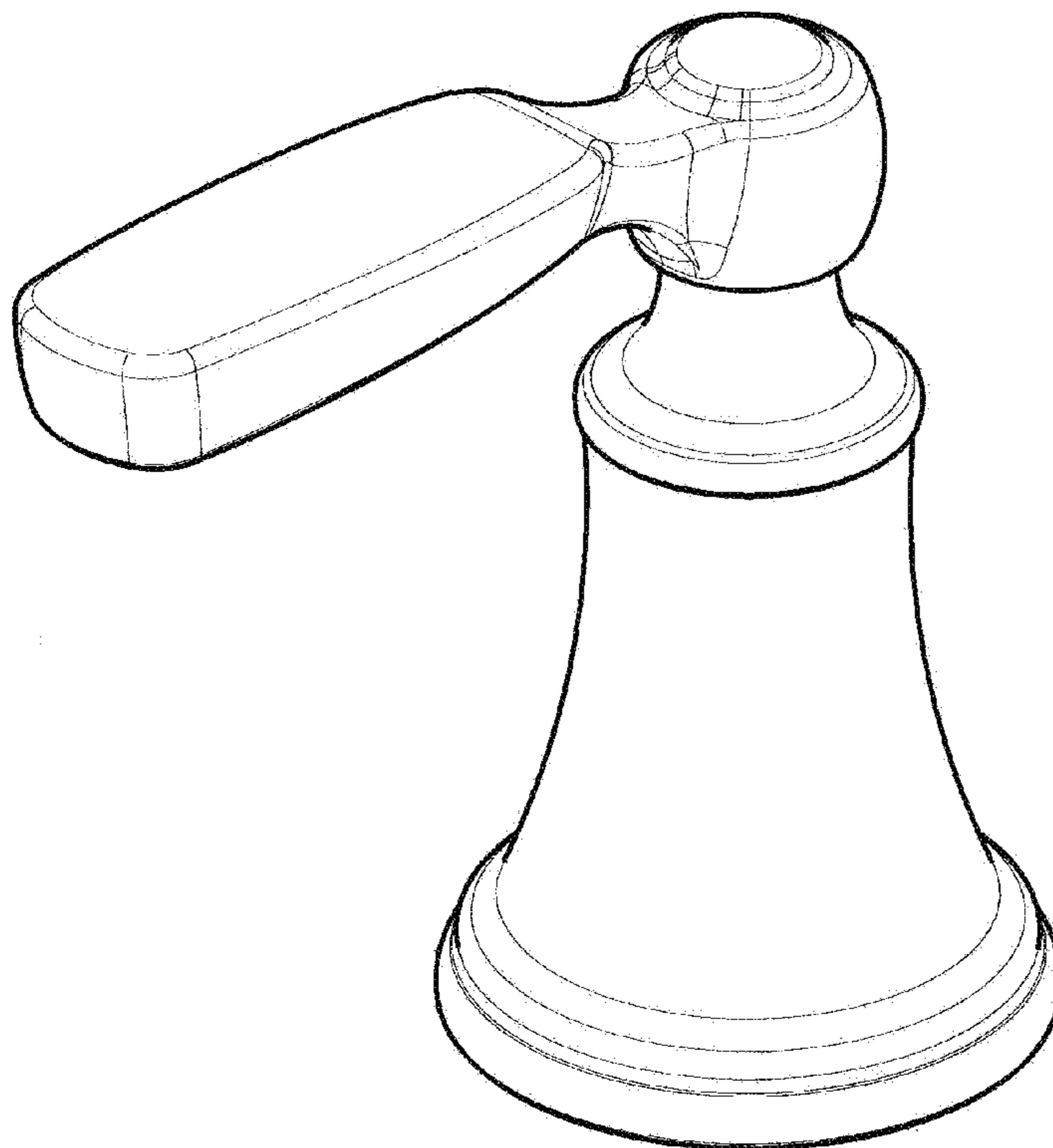
FIG. 7 is a second end view thereof.

(56) **References Cited**

U.S. PATENT DOCUMENTS

D285,597 S * 9/1986 Miller D23/242
D443,031 S * 5/2001 Strader D23/241

1 Claim, 4 Drawing Sheets



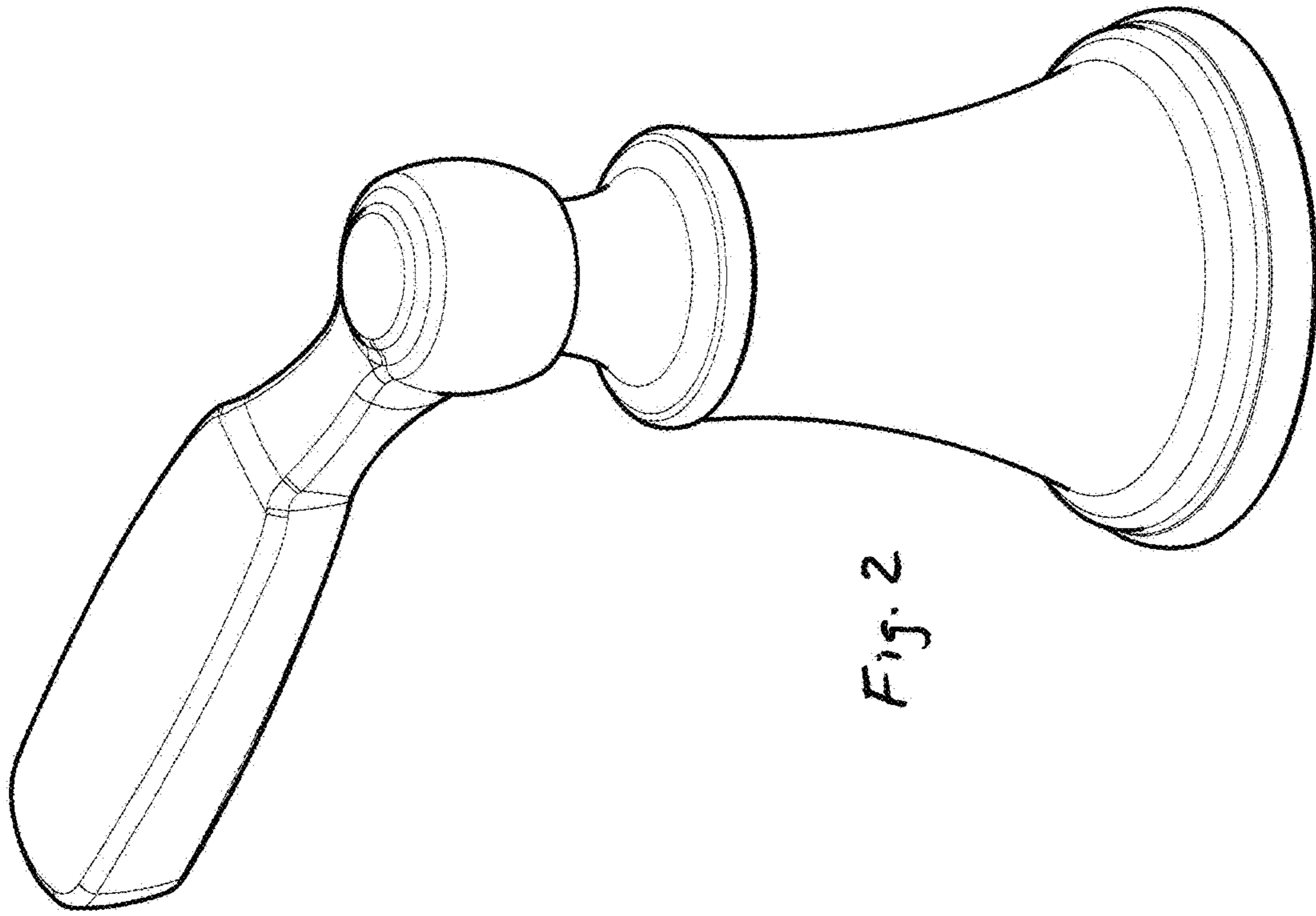


Fig. 2

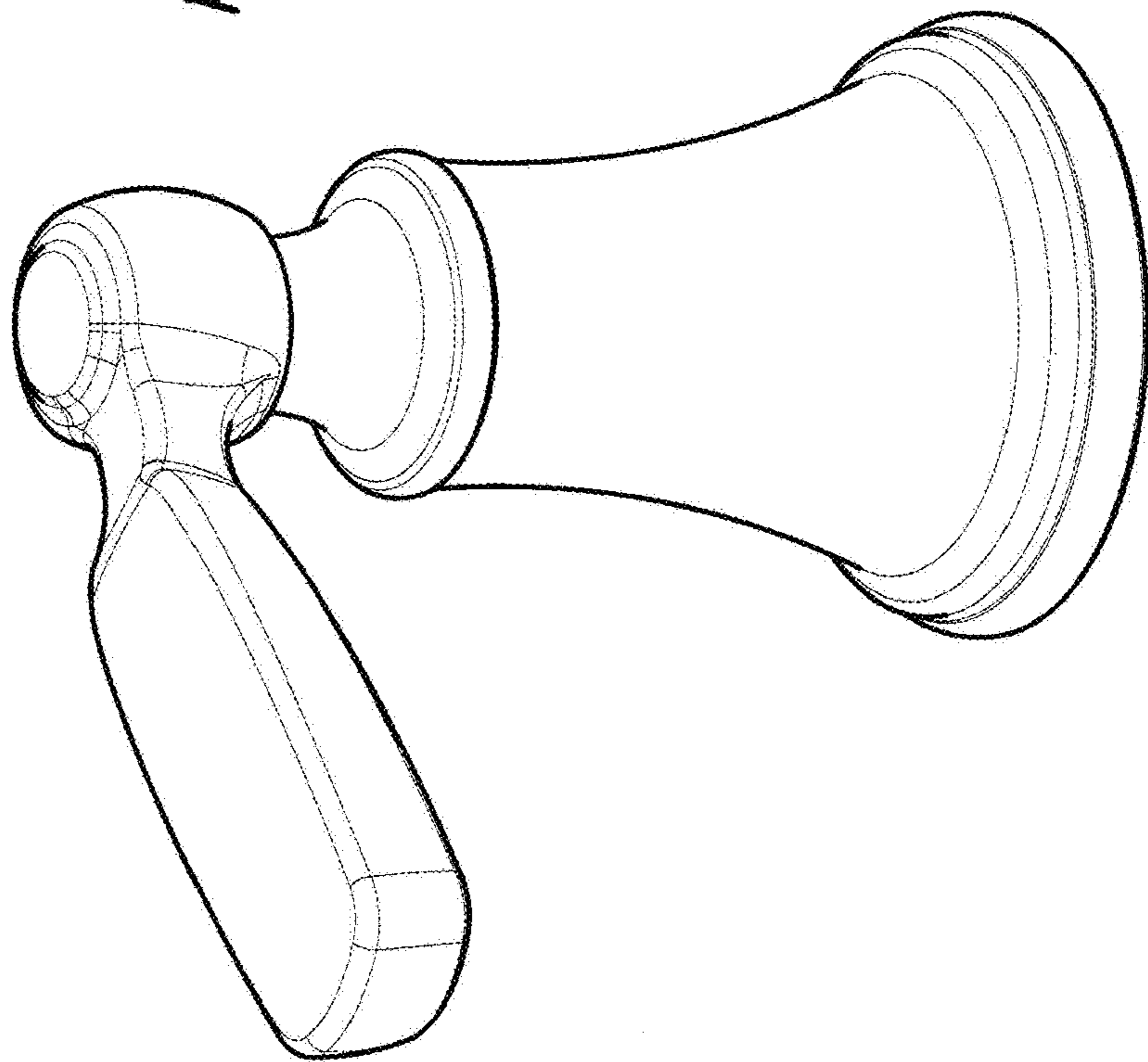
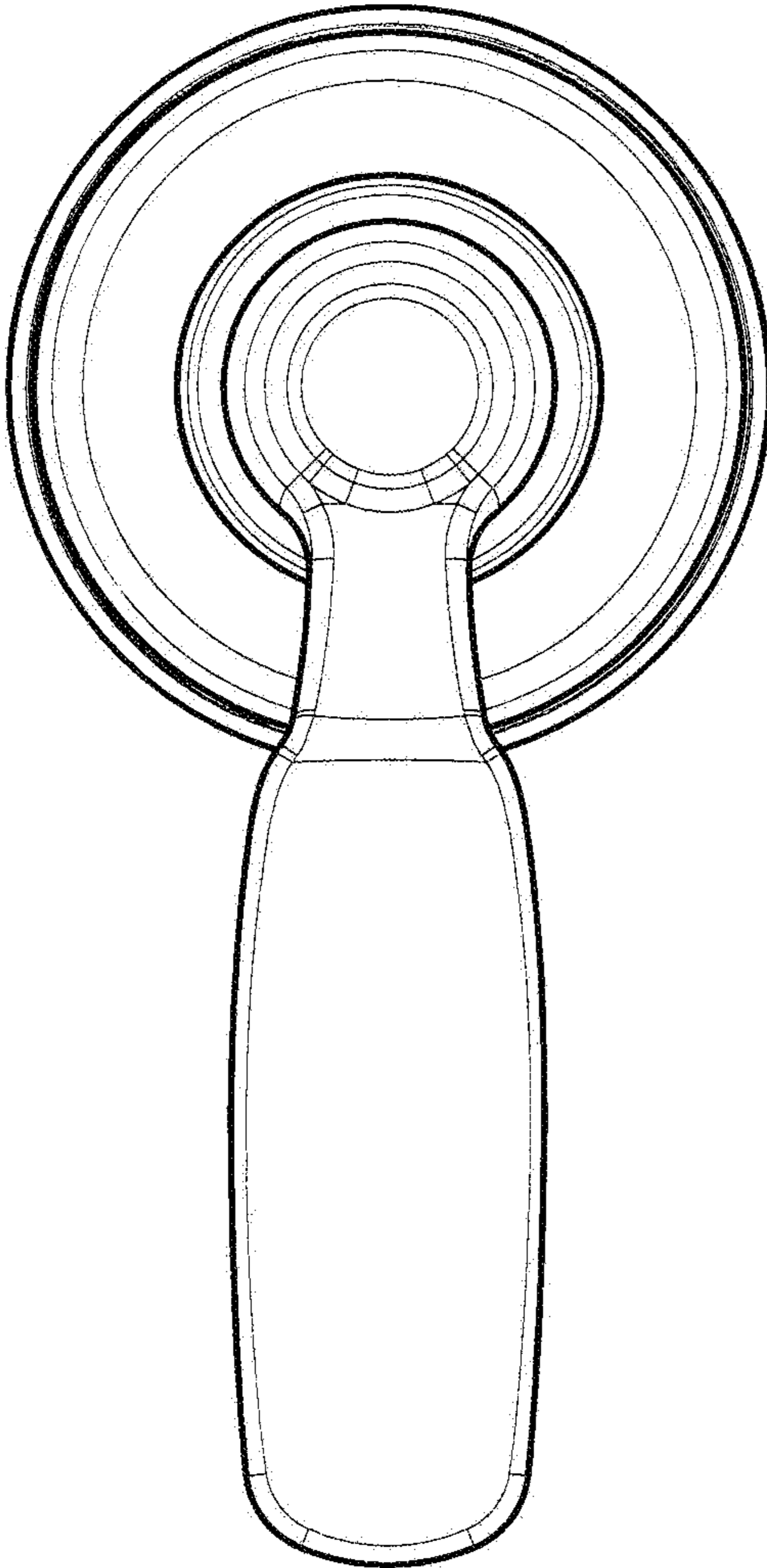


Fig. 1

Fig. 3



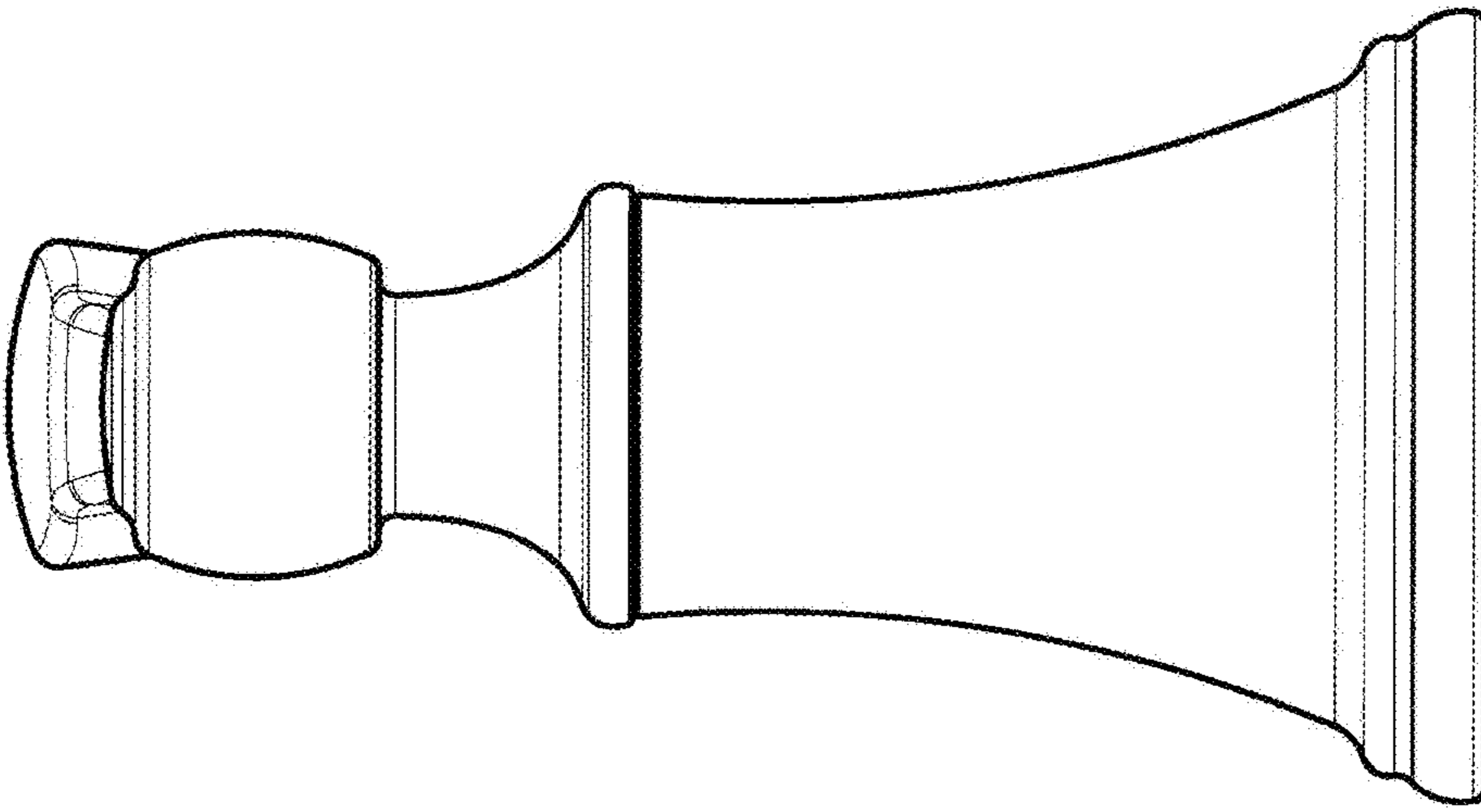


Fig. 5

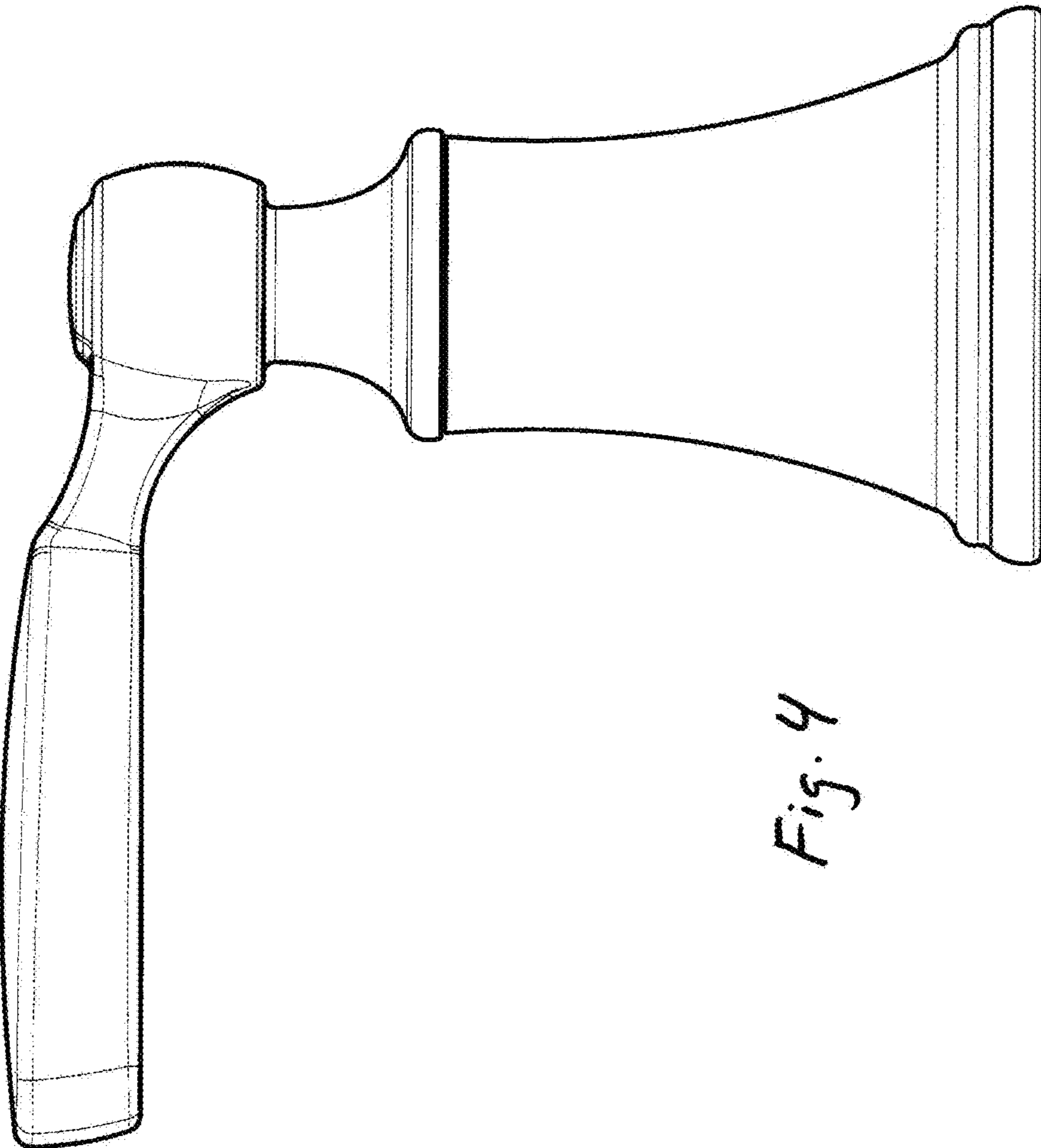


Fig. 4

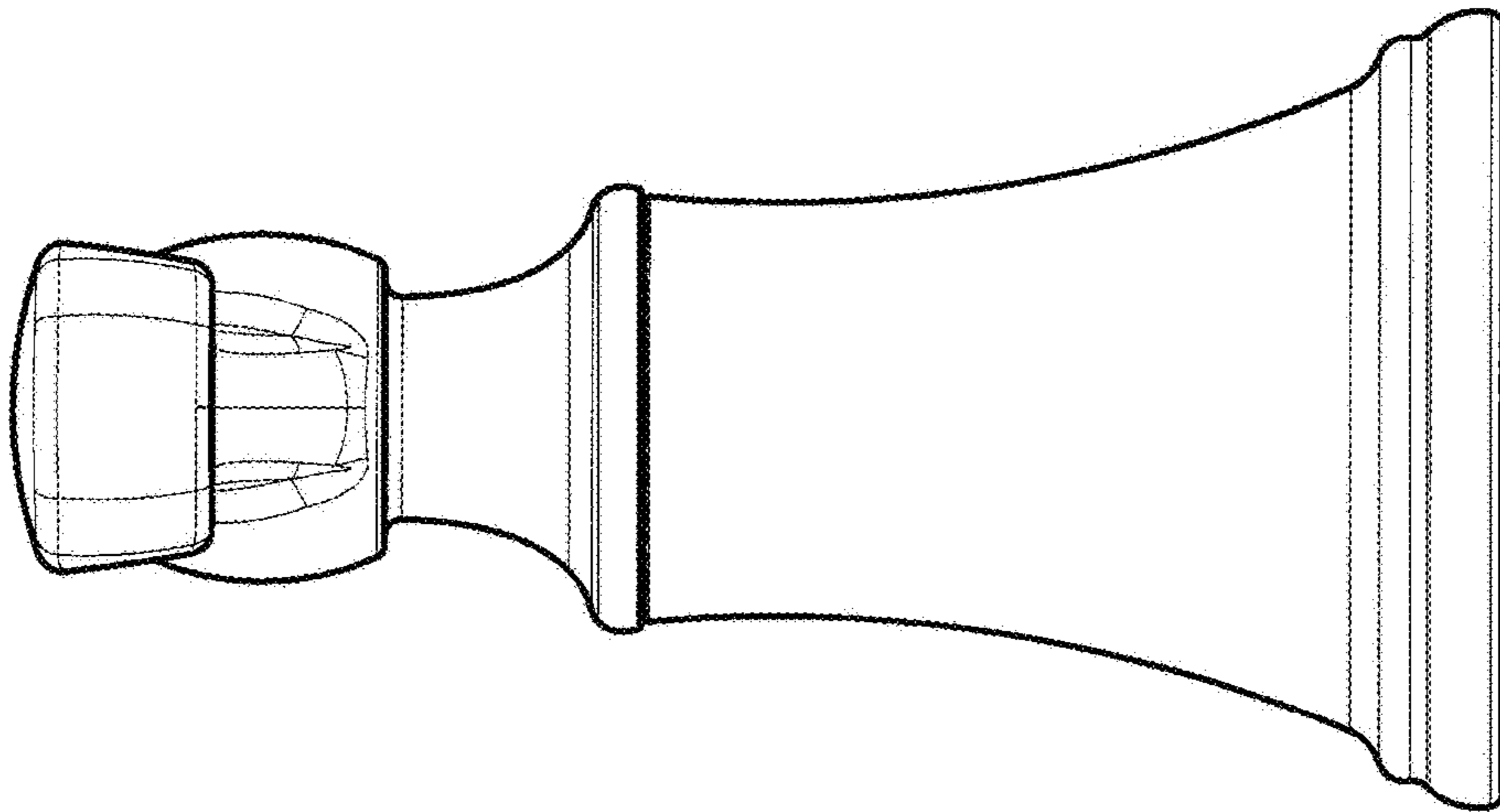


Fig. 7

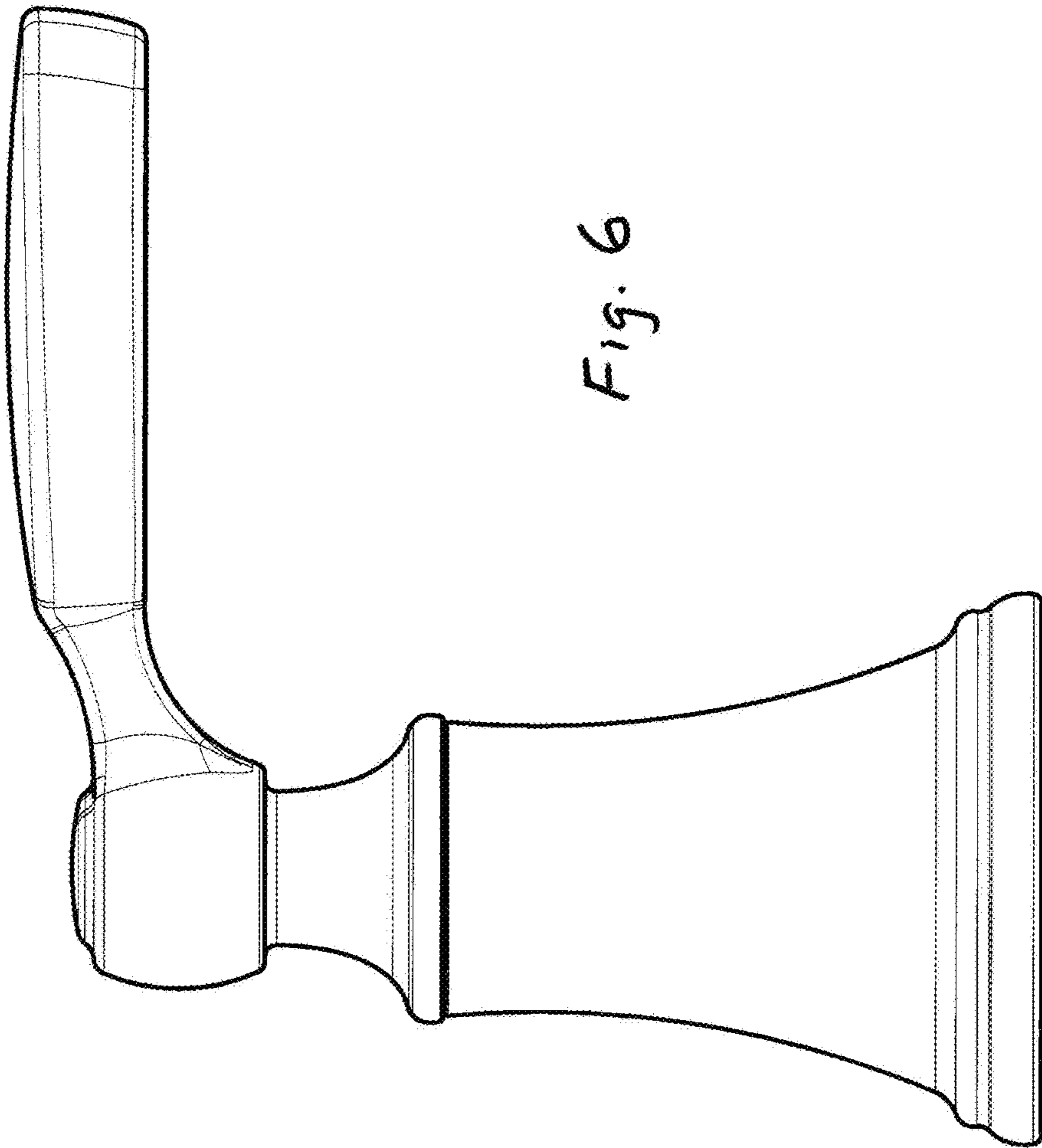


Fig. 6