



US00D839390S

(12) **United States Design Patent**
Eads et al.

(10) **Patent No.:** **US D839,390 S**

(45) **Date of Patent:** **** Jan. 29, 2019**

(54) **FAUCET**

(71) Applicant: **DELTA FAUCET COMPANY,**
Indianapolis, IN (US)

(72) Inventors: **Thad Eads,** Urbana, IN (US); **Jordan Bahler,** Frankfort, IN (US)

(73) Assignee: **DELTA FAUCET COMPANY,**
Indianapolis, IN (US)

(**) Term: **15 Years**

(21) Appl. No.: **29/595,015**

(22) Filed: **Feb. 24, 2017**

(51) **LOC (11) Cl.** **23-01**

(52) **U.S. Cl.**
USPC **D23/242**

(58) **Field of Classification Search**
USPC D23/238–242, 249–250, 252, 254–255,
D23/257; D8/307, 310, 350, 353
CPC Y10T 137/9464
See application file for complete search history.

(56) **References Cited**

U.S. PATENT DOCUMENTS

D285,597 S * 9/1986 Miller D23/242
D443,031 S * 5/2001 Strader D23/241

D518,149 S * 3/2006 Spangler D23/241
D655,787 S * 3/2012 Obara D23/242
D713,509 S * 9/2014 Potter D23/242
D793,535 S * 8/2017 Fritz D23/242

* cited by examiner

Primary Examiner — Robert A Delehanty

(74) *Attorney, Agent, or Firm* — Edgar A. Zarins; Nirav D. Parikh

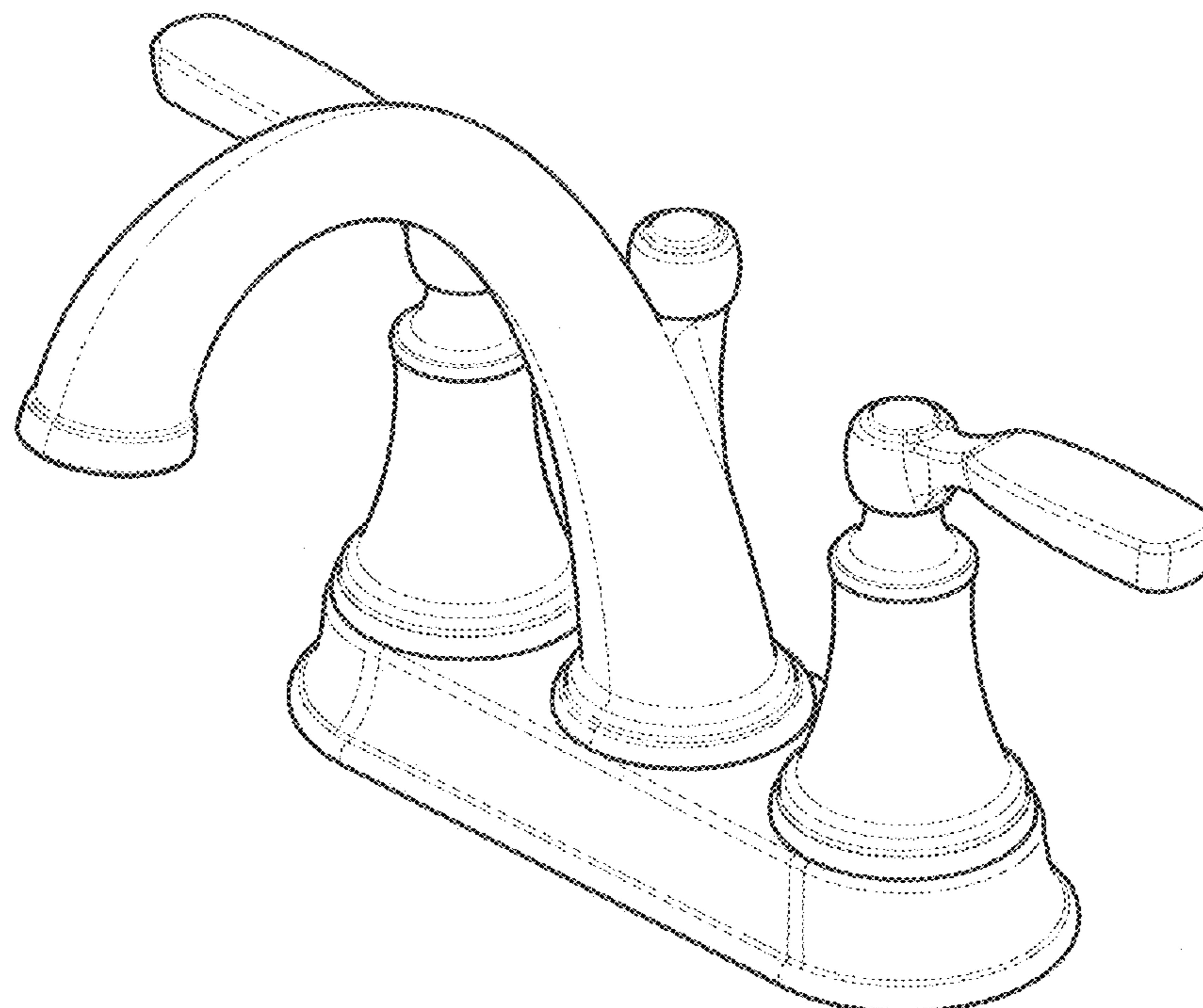
(57) **CLAIM**

The ornamental design for a faucet, as shown and described.

DESCRIPTION

FIG. 1 is a perspective view of a faucet showing my new design;
FIG. 2 is a rear perspective view thereof;
FIG. 3 is a front elevational view thereof;
FIG. 4 is a left side view thereof;
FIG. 5 is a rear view thereof;
FIG. 6 is a right side view thereof; and,
FIG. 7 is a top plan view thereof.

1 Claim, 4 Drawing Sheets



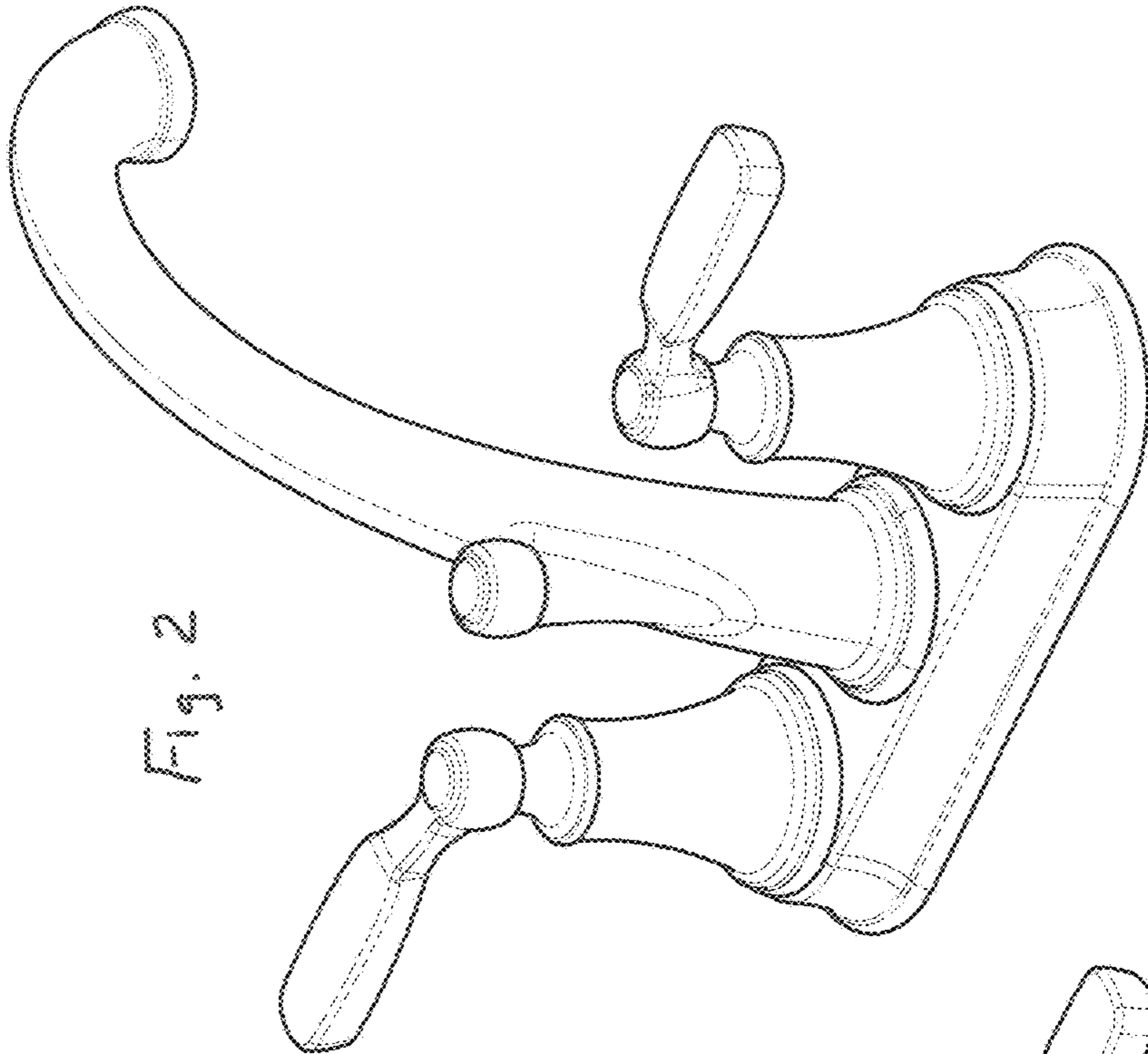


Fig. 2

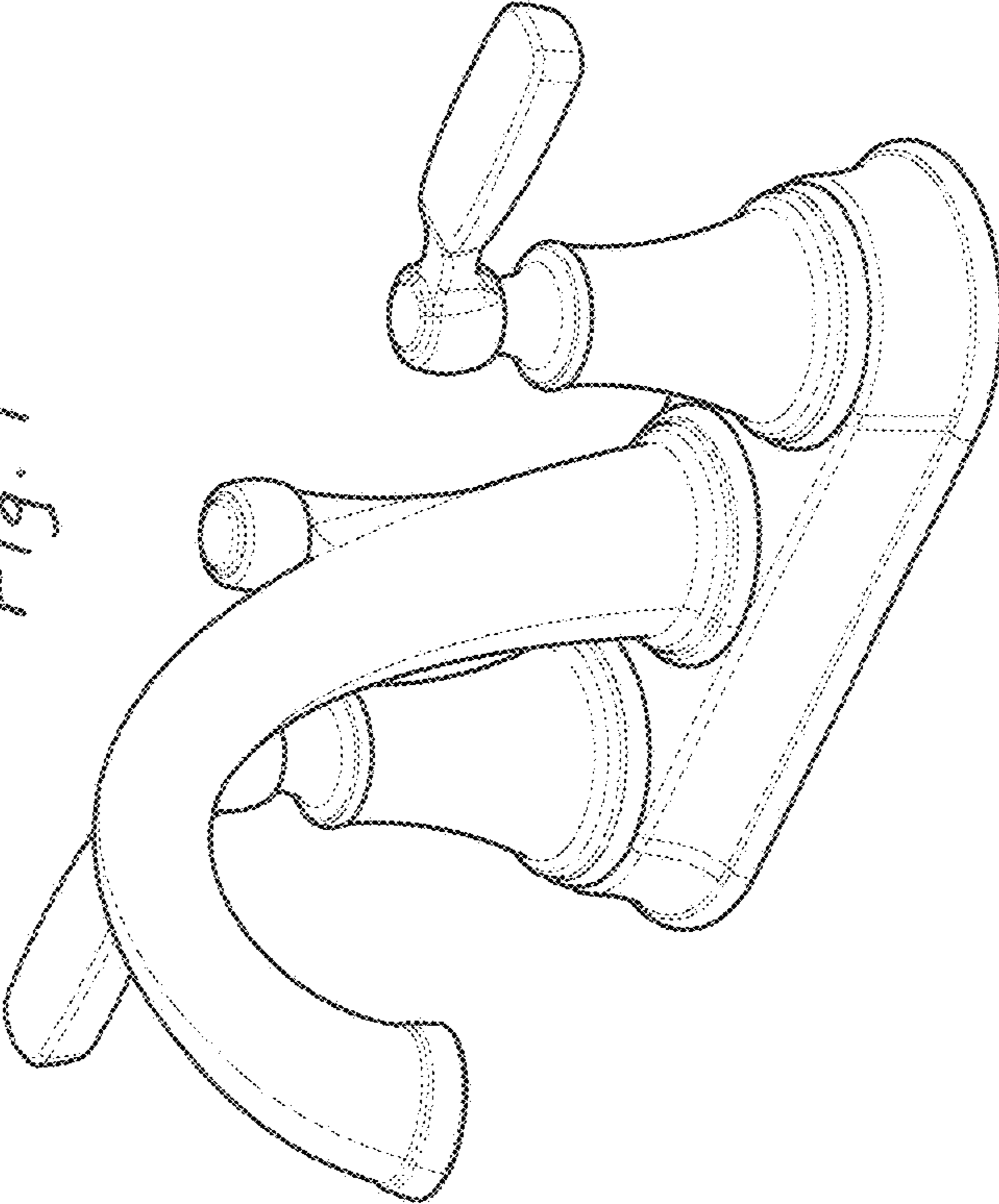


Fig. 1

Fig. 4

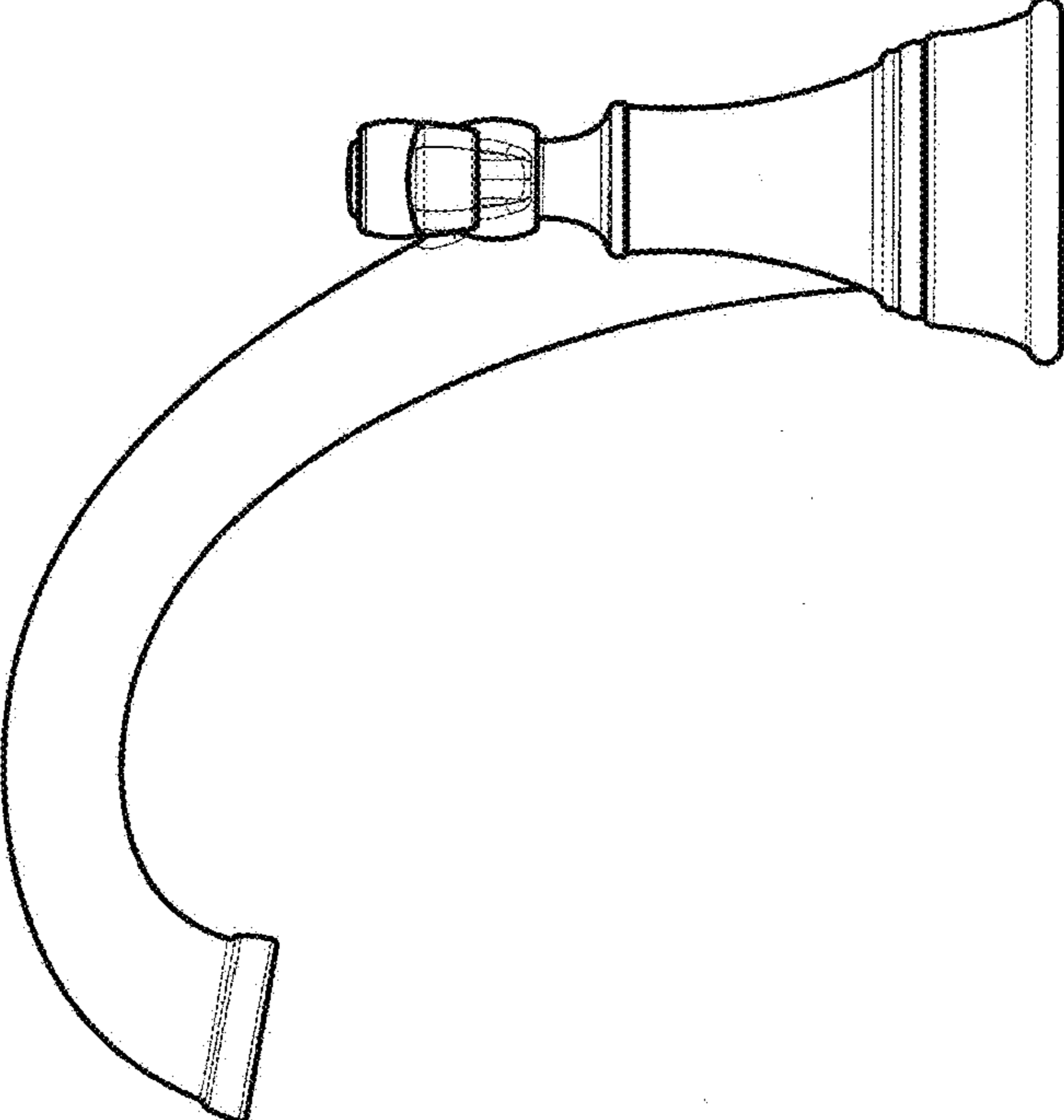


Fig. 3

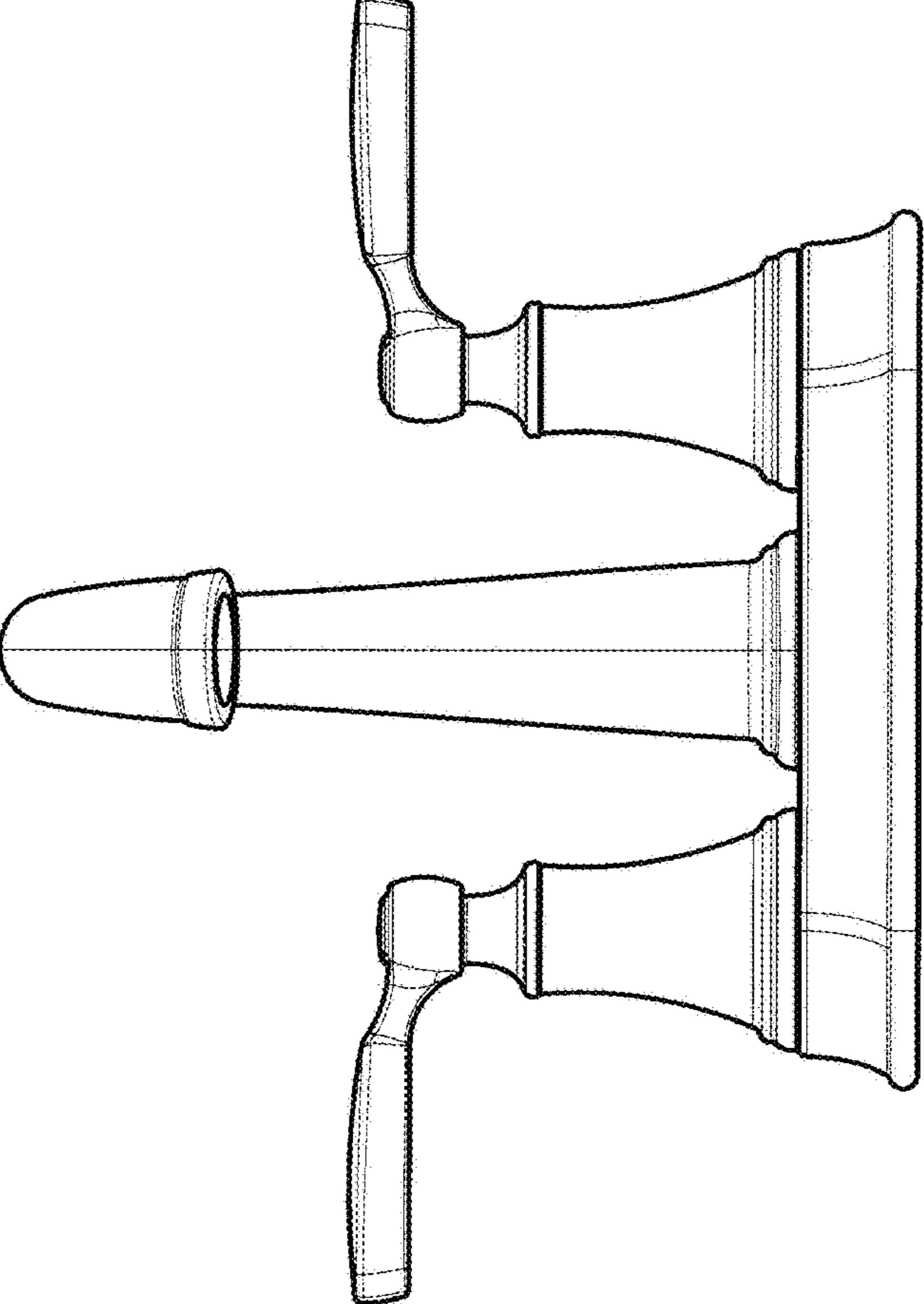


Fig. 5

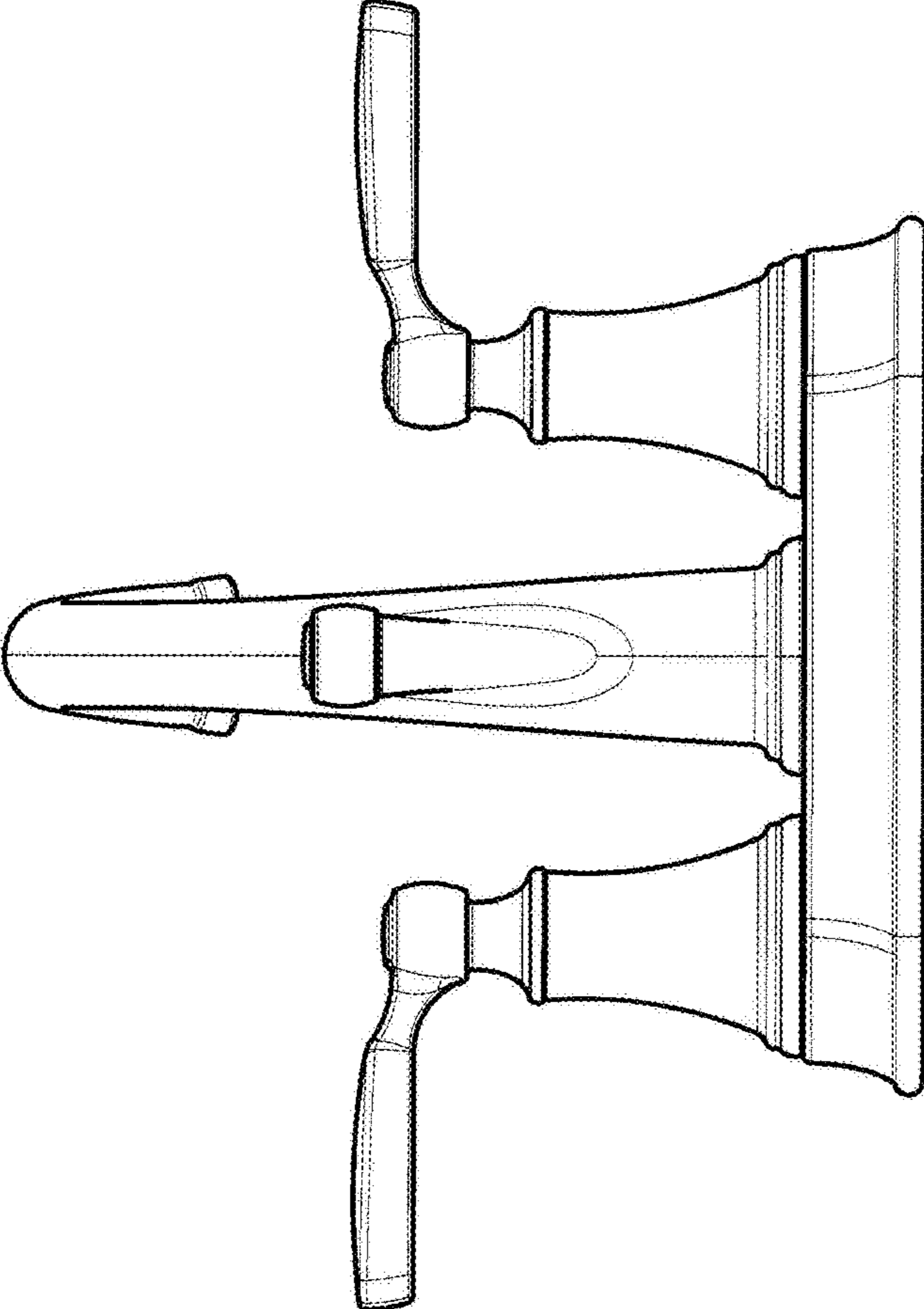
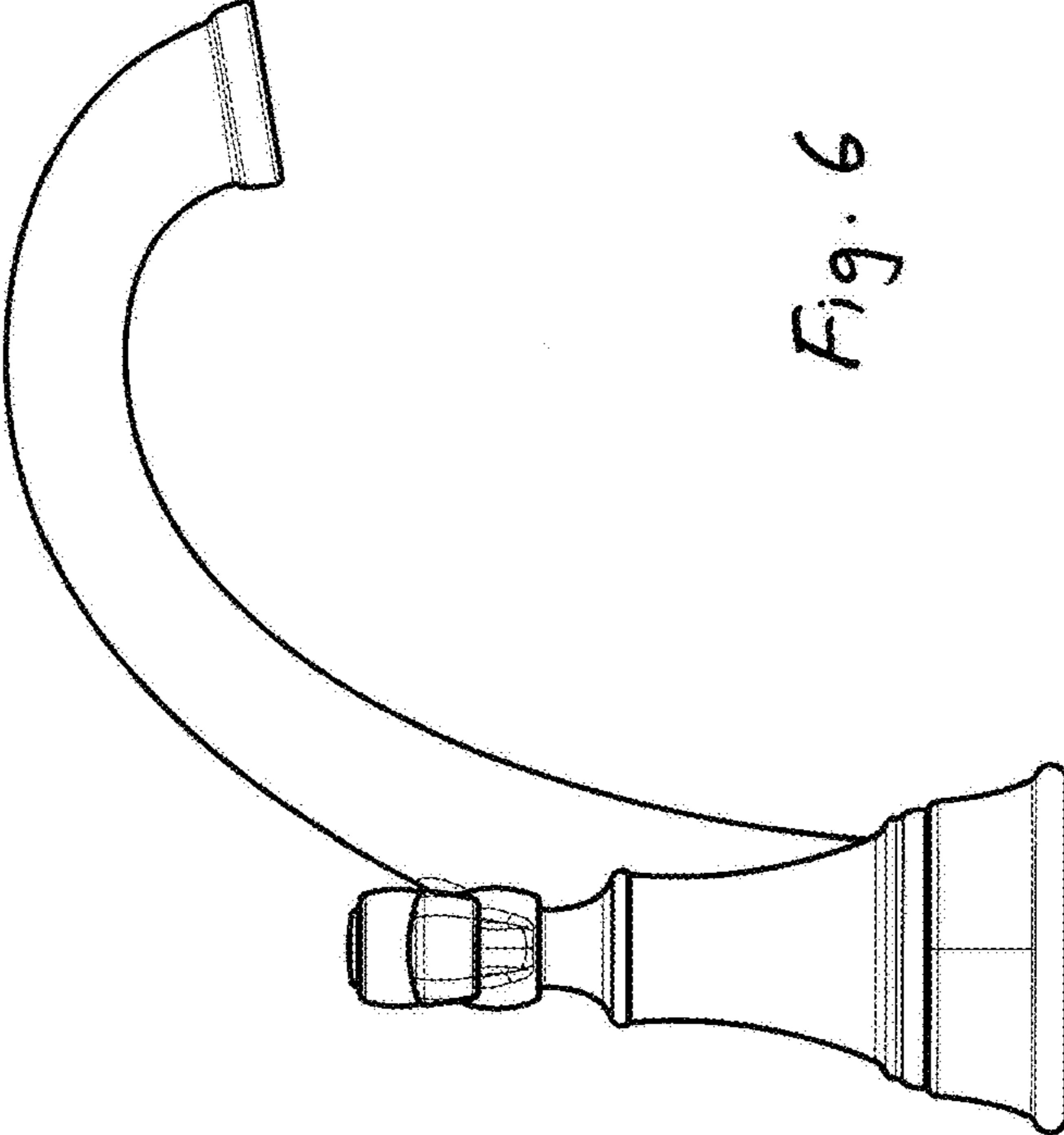


Fig. 6



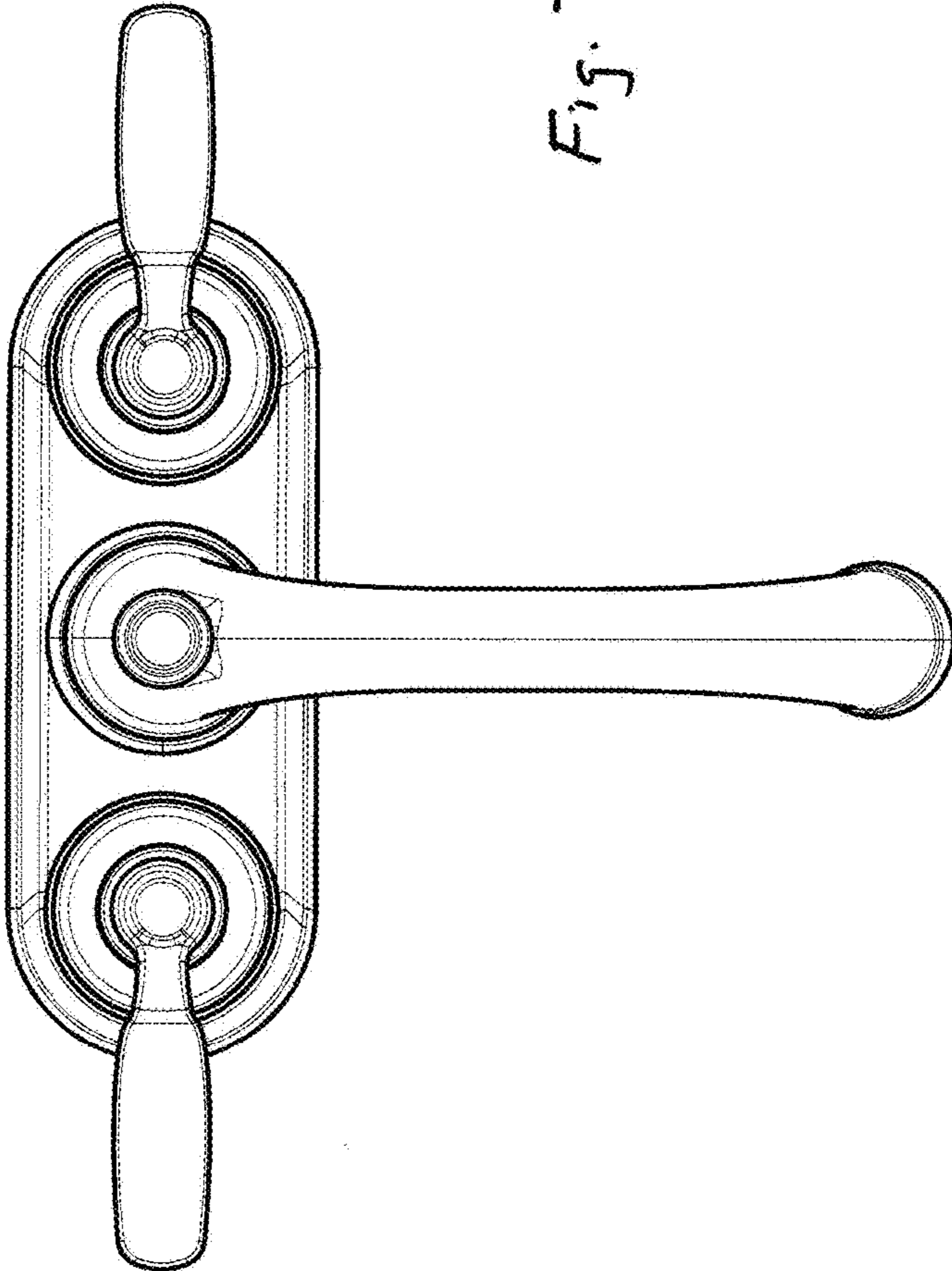


Fig. 7