



US00D839388S

(12) **United States Design Patent**
Miyazoe et al.

(10) **Patent No.:** **US D839,388 S**
(45) **Date of Patent:** **** Jan. 29, 2019**

(54) **MANIFOLD TYPE SOLENOID VALVE**

7,073,825 B2 *	7/2006	Takada	F16L 37/144
			137/884
D594,932 S *	6/2009	Miyazoe	D23/233
D594,933 S *	6/2009	Miyazoe	D23/233
D595,810 S *	7/2009	Miyazoe	D23/233
D597,174 S *	7/2009	Miyazoe	D23/233
D599,889 S *	9/2009	Oshima	D23/233
D599,890 S *	9/2009	Yoshimura	D23/233
D616,964 S *	6/2010	Miyazoe	D23/233
D621,910 S *	8/2010	Miyazoe	D23/233
7,849,881 B2 *	12/2010	Lee	F15B 13/0839
			137/884

(71) Applicant: **SMC CORPORATION**, Chiyoda-ku (JP)

(72) Inventors: **Shinji Miyazoe**, Moriya (JP); **Shinichi Yoshimura**, Moriya (JP); **Takashi Murakami**, Moriya (JP)

(73) Assignee: **SMC CORPORATION**, Chiyoda-ku (JP)

(**) Term: **15 Years**

(21) Appl. No.: **29/622,636**

(22) Filed: **Oct. 18, 2017**

(30) **Foreign Application Priority Data**

Apr. 25, 2017 (JP) 2017-008796

(51) **LOC (11) Cl.** **23-01**

(52) **U.S. Cl.**
USPC **D23/233**

(58) **Field of Classification Search**
USPC D23/233-237, 240-249; 137/884, 597, 137/606, 625.64, 883, 596.16, 602, 605, 137/554, 560, 271, 269; D15/143
CPC F16K 27/003; F16K 31/06; F16K 31/426; F15B 13/0817; F15B 13/0821; F15B 13/0814

See application file for complete search history.

(56) **References Cited**

U.S. PATENT DOCUMENTS

D437,030 S *	1/2001	Sato	D23/233
D453,347 S *	2/2002	Kaneko	D15/143

* cited by examiner

Primary Examiner — Cythia Ramirez

Assistant Examiner — Gino Colan

(74) *Attorney, Agent, or Firm* — Oblon, McClelland, Maier & Neustadt, L.L.P.

(57) **CLAIM**

The ornamental design for a manifold type solenoid valve, as shown and described.

DESCRIPTION

FIG. 1 is a front, top, and left side perspective view of a manifold type solenoid valve;

FIG. 2 is a rear, bottom, and right side perspective view thereof;

FIG. 3 is a front elevational view thereof;

FIG. 4 is a rear elevational view thereof;

FIG. 5 is a top plan view thereof;

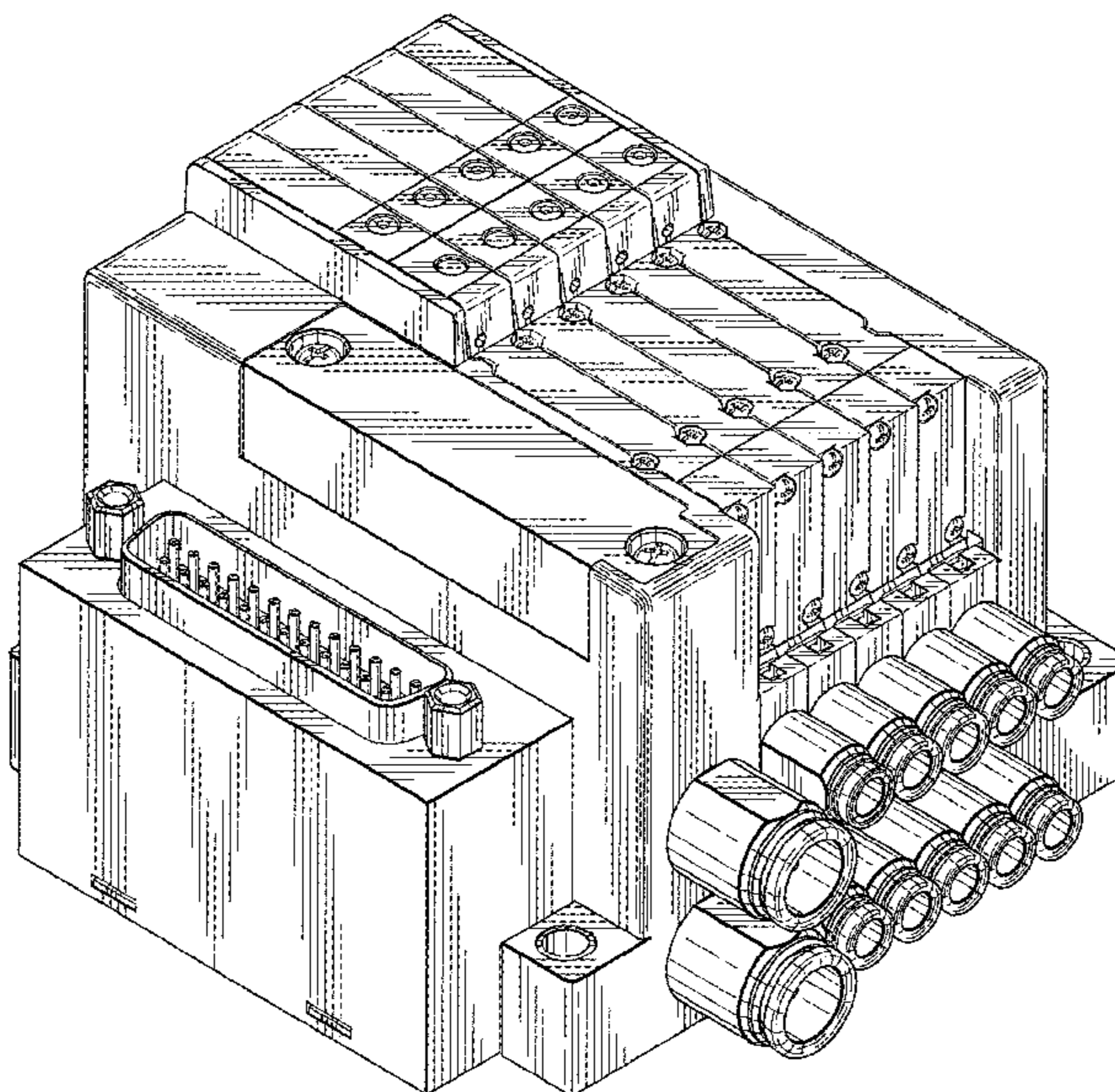
FIG. 6 is a bottom plan view thereof;

FIG. 7 is a left side elevational view thereof; and,

FIG. 8 is a right side elevational view thereof.

The broken lines in the drawings illustrate portions of the manifold type solenoid valve that form no part of the claimed design.

1 Claim, 8 Drawing Sheets



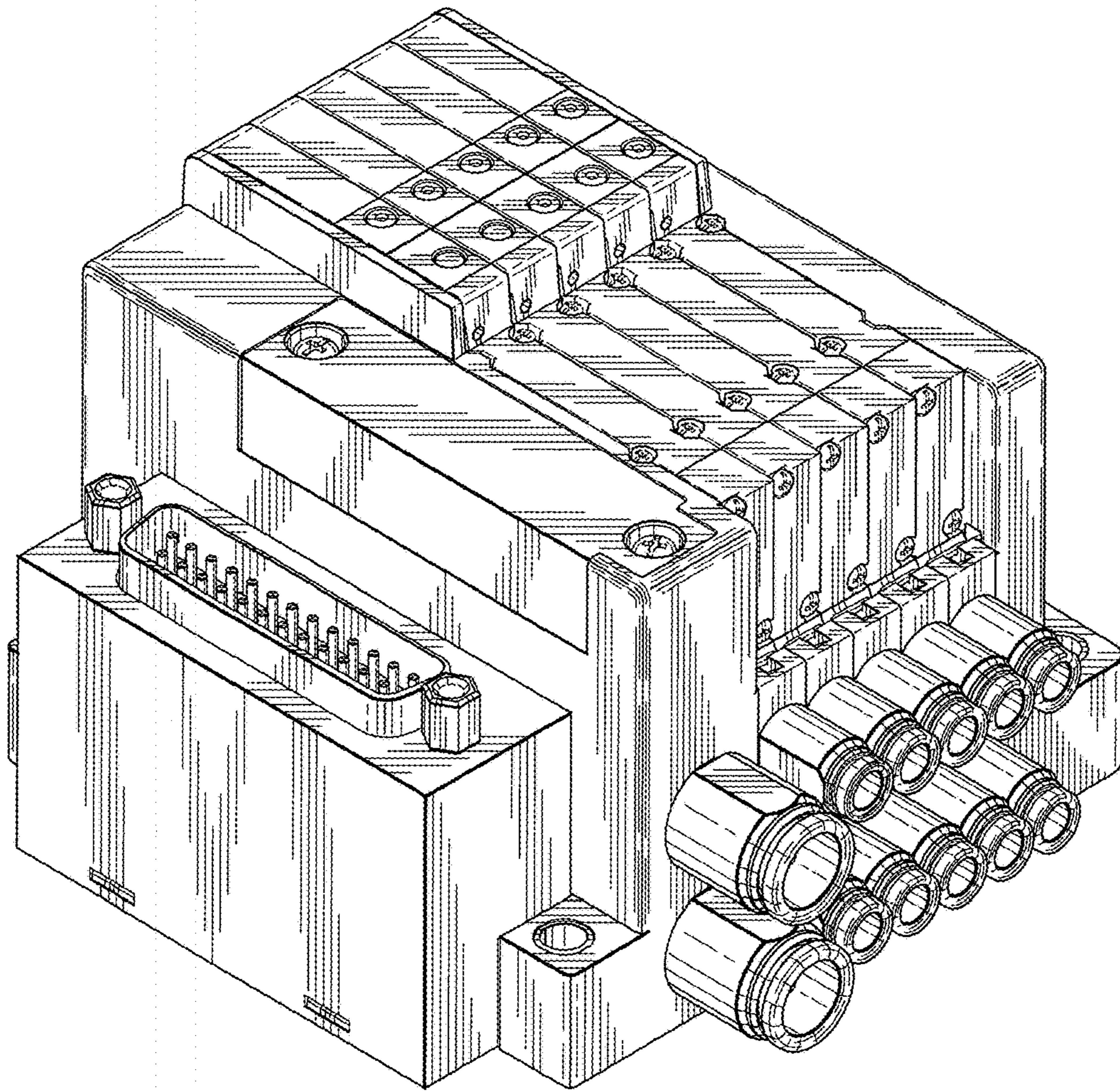


FIG. 1

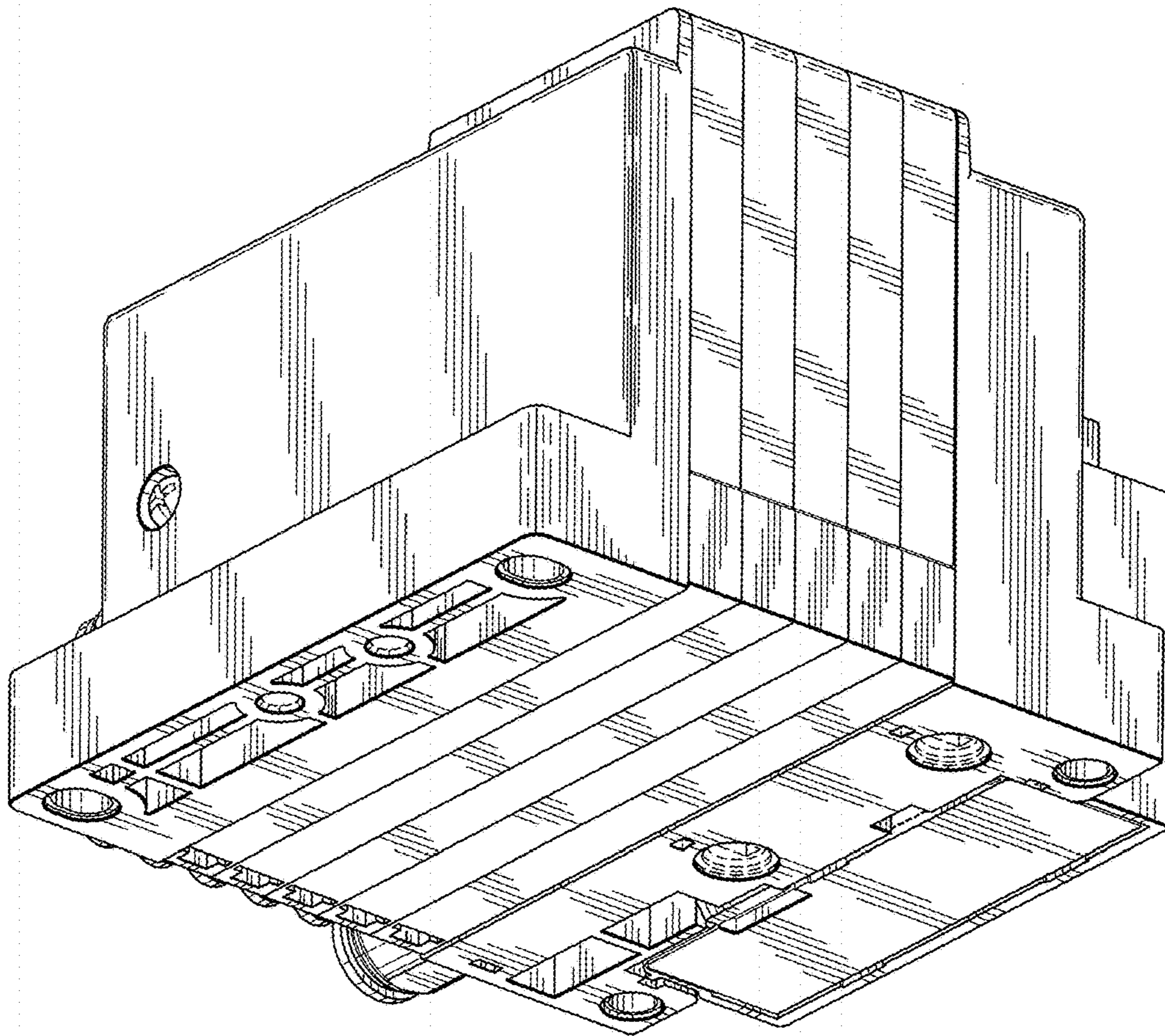


FIG. 2

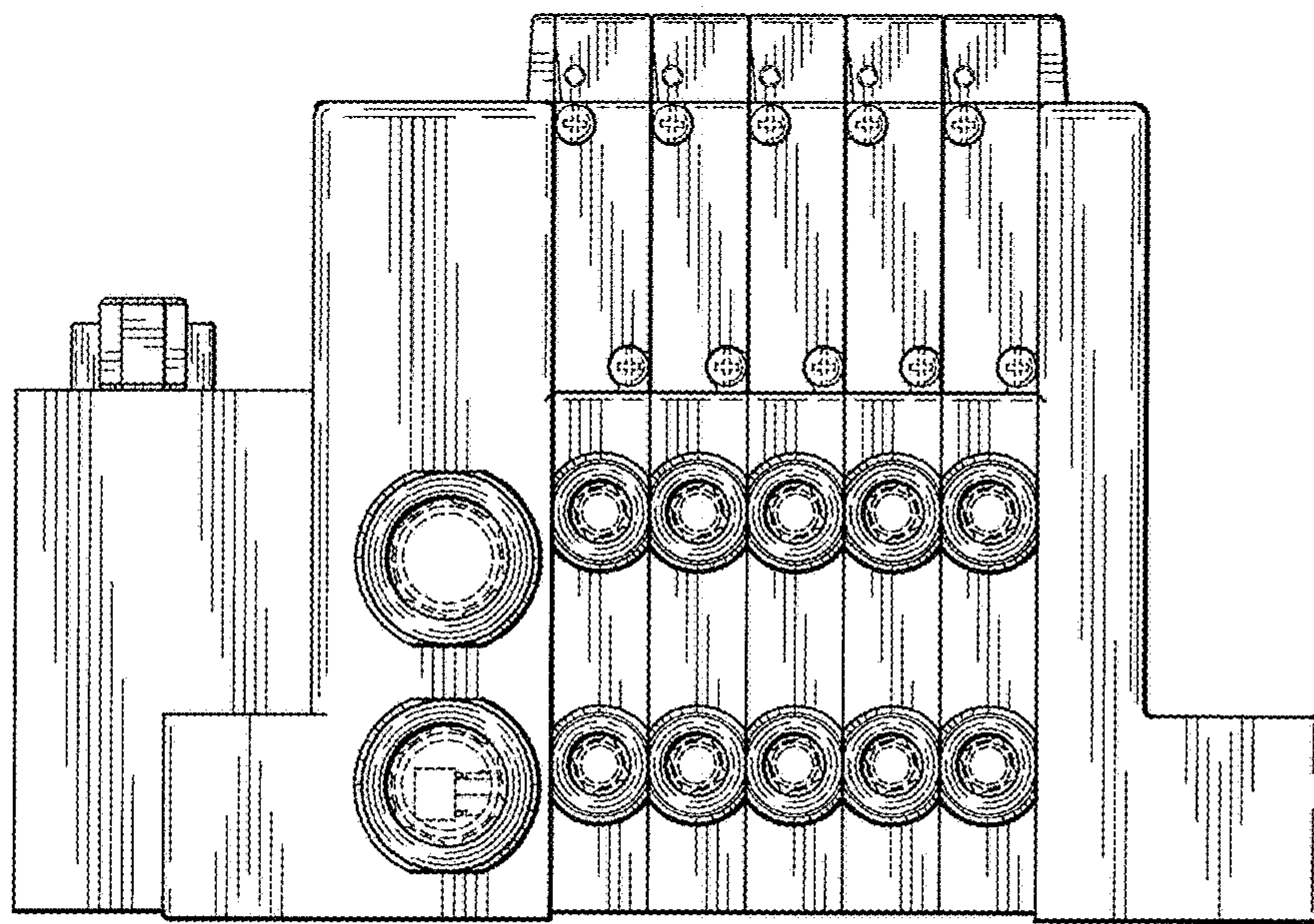


FIG. 3

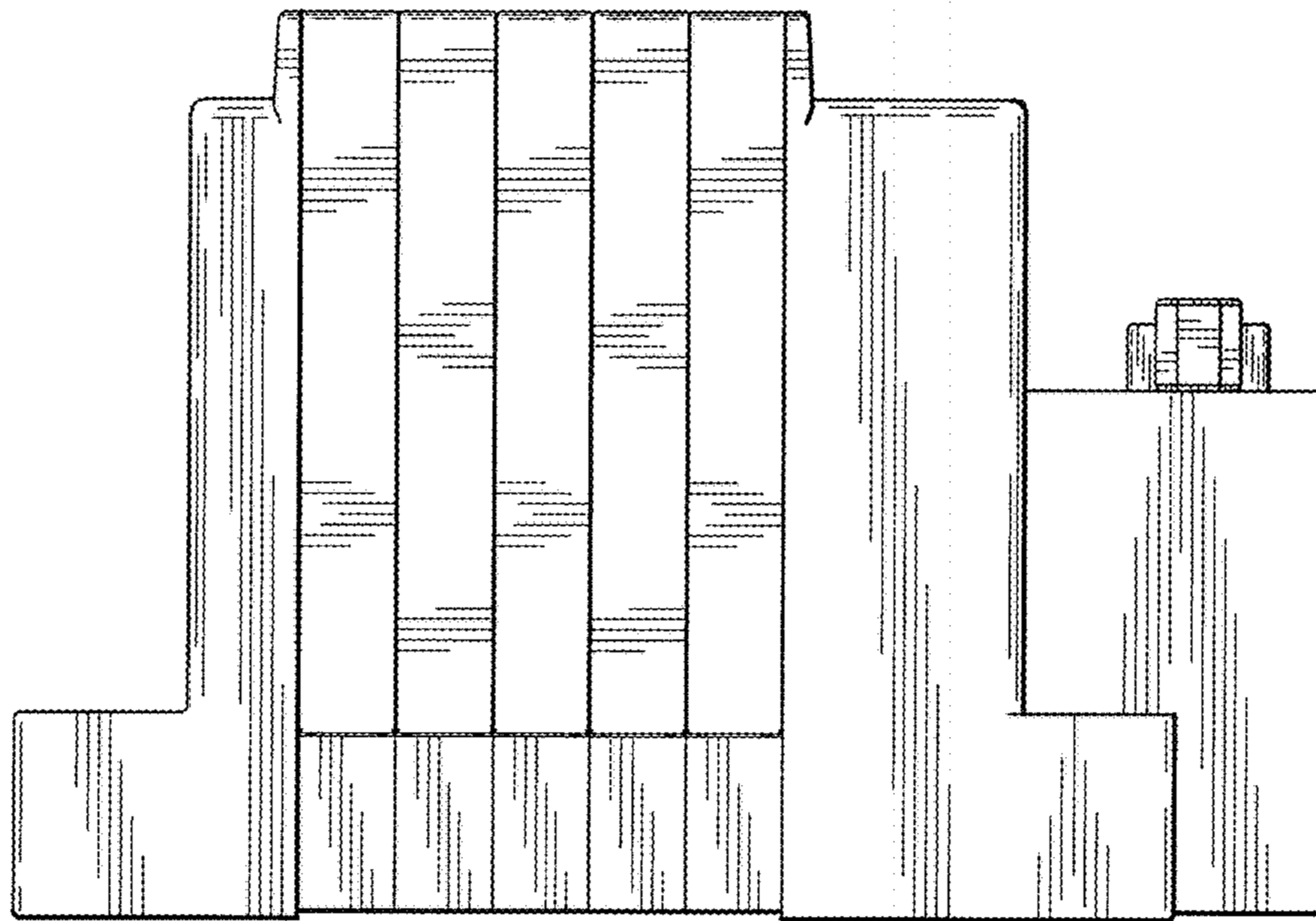


FIG. 4

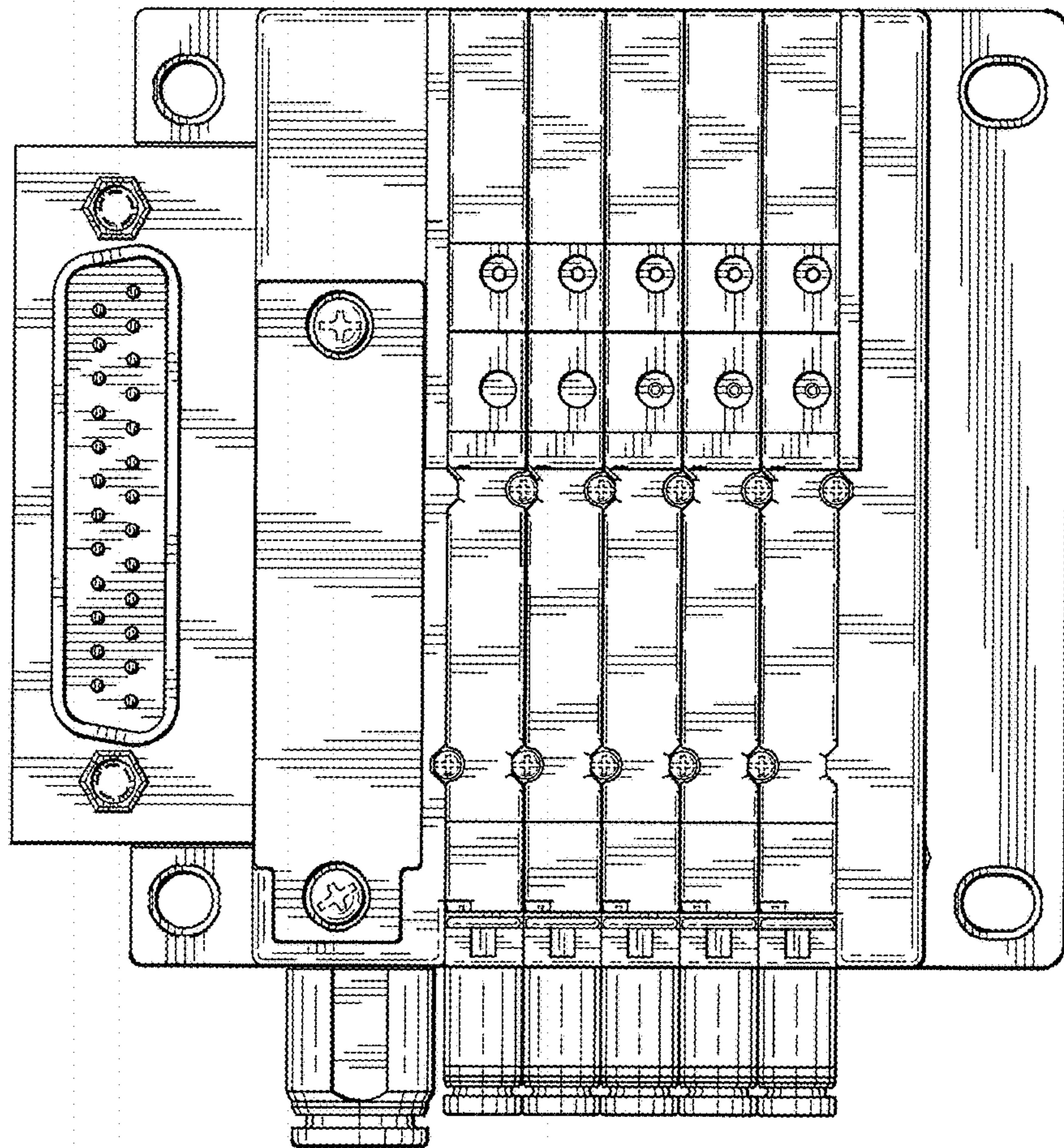


FIG. 5

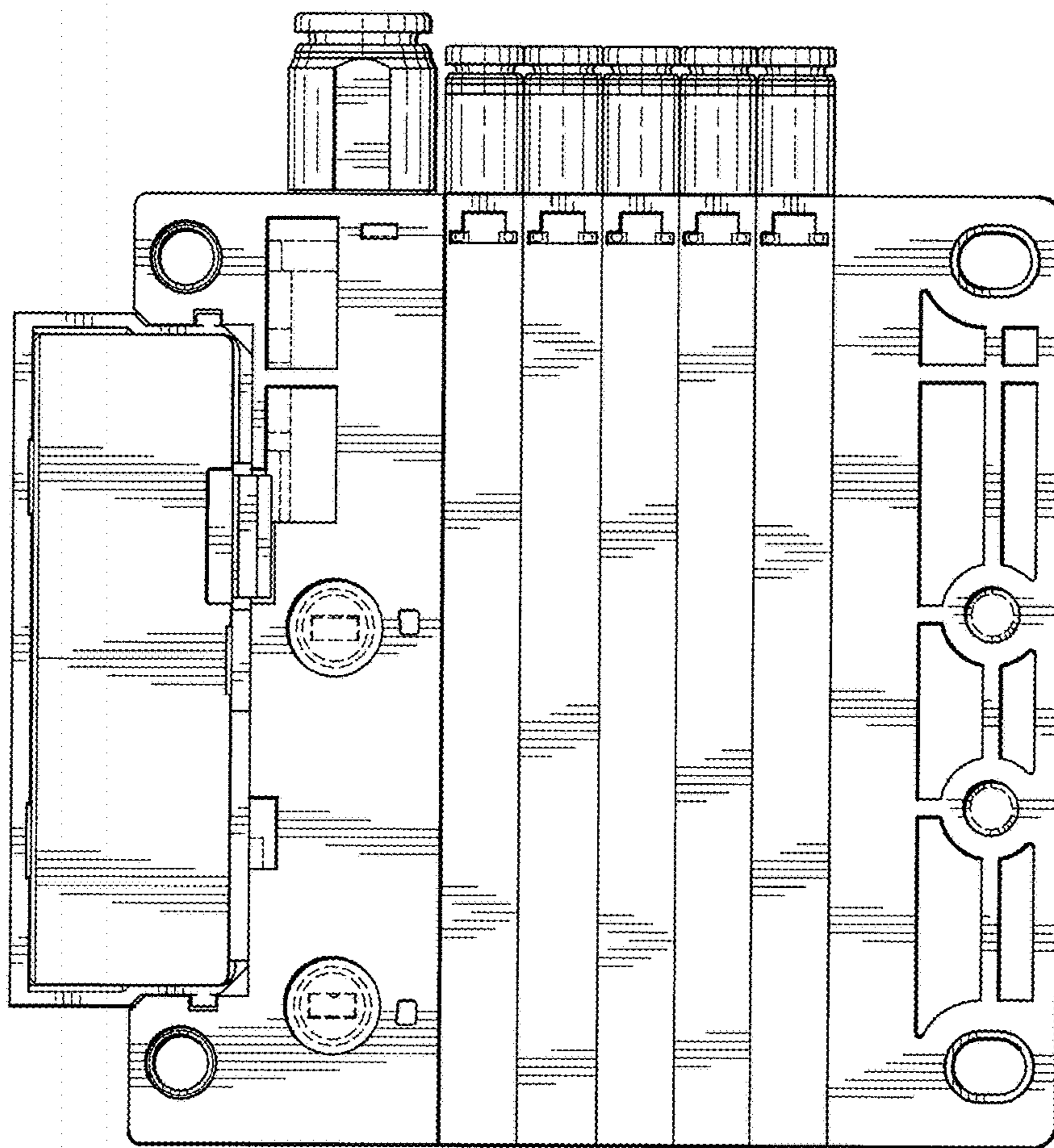


FIG. 6

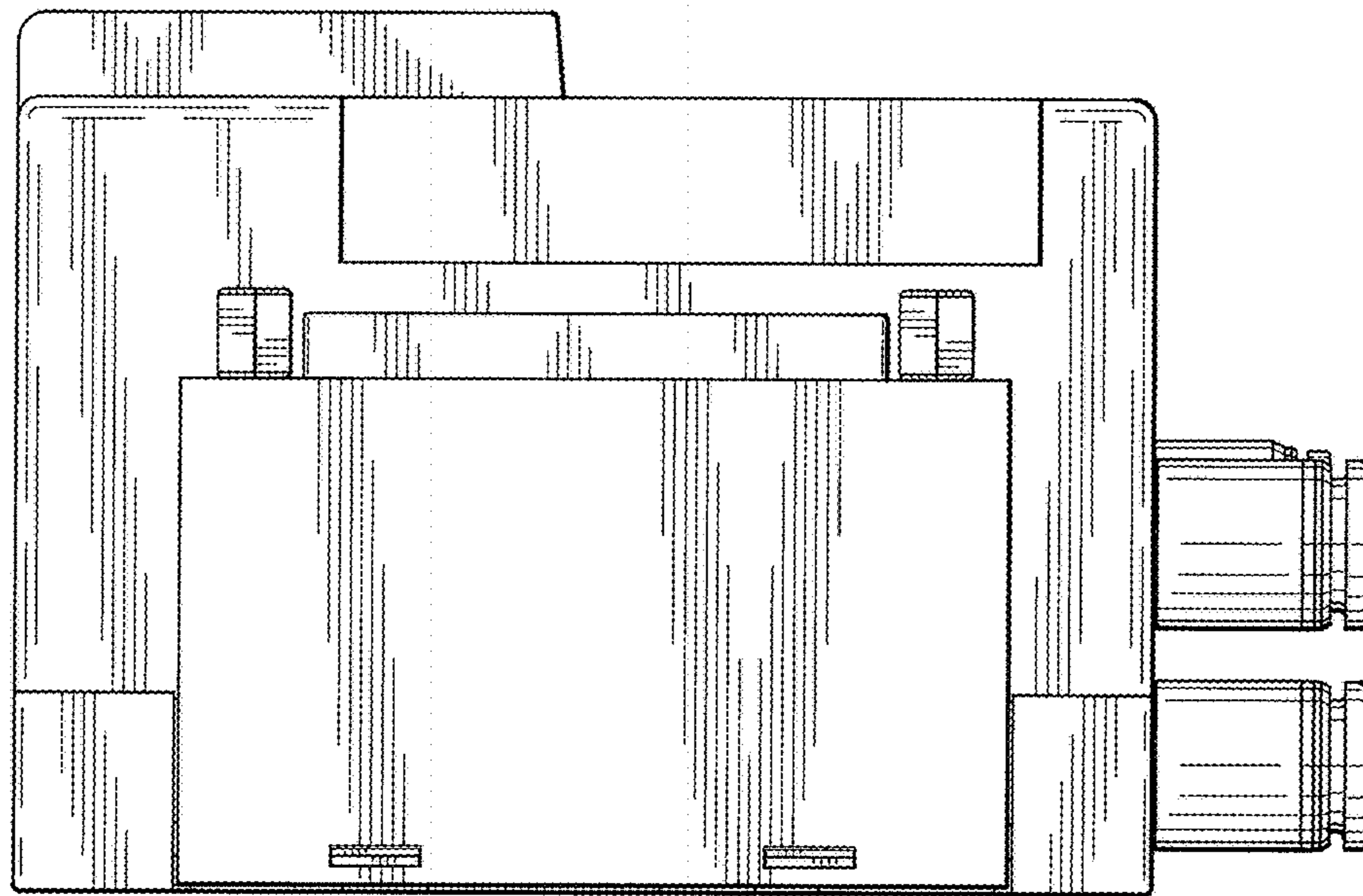


FIG. 7

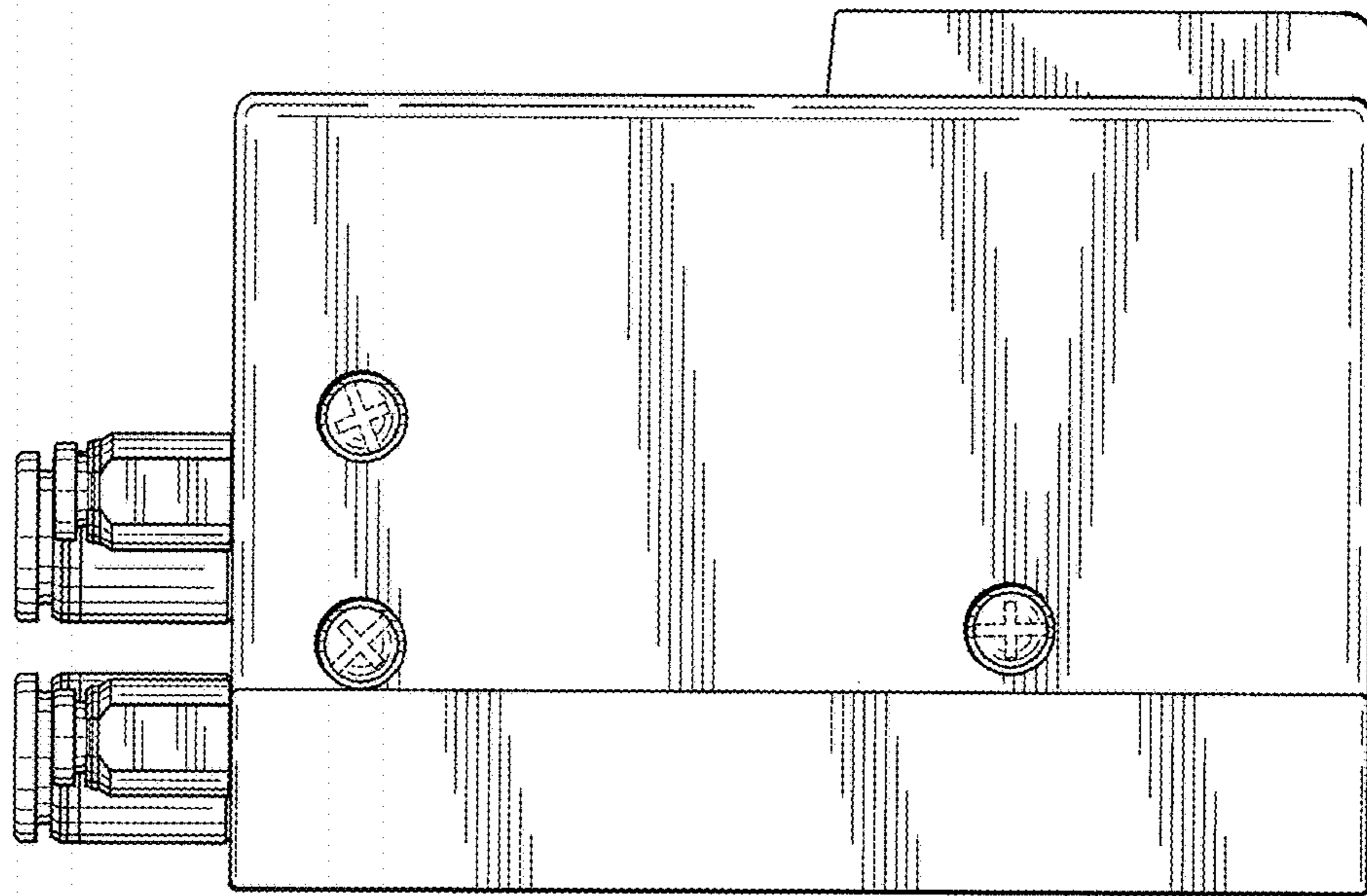


FIG. 8