



US00D839387S

(12) **United States Design Patent**  
**White**

(10) **Patent No.:** **US D839,387 S**

(45) **Date of Patent:** **\*\* Jan. 29, 2019**

- (54) **ASPIRATOR NOZZLE**
- (71) Applicant: **ALTEVAC, LLC**, Boca Raton, FL (US)
- (72) Inventor: **Blair White**, Delray Beach, FL (US)
- (73) Assignee: **Altevac LLC**, Boca Raton, FL (US)
- (\*\*) Term: **15 Years**
- (21) Appl. No.: **29/609,846**
- (22) Filed: **Jul. 6, 2017**
- (51) **LOC (11) Cl.** ..... **23-01**
- (52) **U.S. Cl.**  
USPC ..... **D23/231; D23/213**
- (58) **Field of Classification Search**  
USPC ..... D23/213, 231, 233; 141/114; 604/22;  
417/191, 195, 480  
CPC . F04F 5/466; B64D 25/14; B65B 1/04; B65B  
1/18; F04D 27/009  
See application file for complete search history.

8,322,996 B2 12/2012 McNeil et al.  
 D682,394 S \* 5/2013 Sprouse ..... B01F 5/0453  
 D23/231  
 8,919,731 B2 \* 12/2014 Langston ..... F16K 15/20  
 141/10

**OTHER PUBLICATIONS**

Drawing of company named Slide to Safety showing prior art nozzle, date unknown, but prior to filing of this application.

\* cited by examiner

*Primary Examiner* — Robin V Webster

(74) *Attorney, Agent, or Firm* — Caesar Rivise, PC

(57) **CLAIM**

The ornamental design for an aspirator nozzle, as shown and described.

**DESCRIPTION**

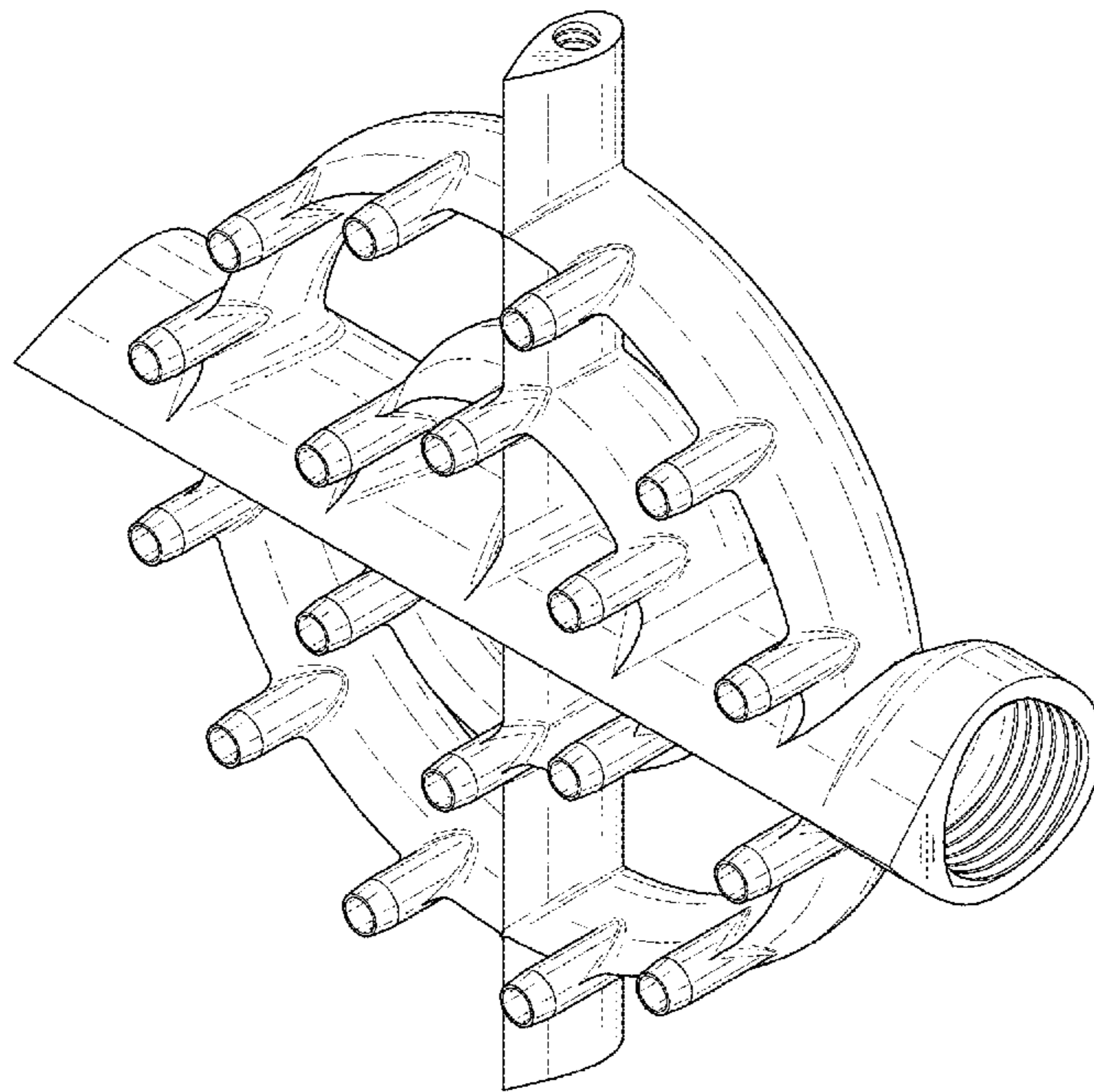
FIG. 1 is an isometric view of the aspirator nozzle in accordance with my new design;  
 FIG. 2 is a front elevation view of the aspirator nozzle shown in FIG. 1;  
 FIG. 3 is a rear elevation view of the aspirator nozzle shown in FIG. 1;  
 FIG. 4 is a top plan view of the aspirator nozzle shown in FIG. 1;  
 FIG. 5 is a bottom plan view of the aspirator nozzle shown in FIG. 1;  
 FIG. 6 is a left side elevation view of the aspirator nozzle shown in FIG. 1; and,  
 FIG. 7 is a right side elevation view of the aspirator nozzle shown in FIG. 1.

**1 Claim, 5 Drawing Sheets**

(56) **References Cited**

**U.S. PATENT DOCUMENTS**

- 3,606,586 A \* 9/1971 Piet et al. .... F04F 5/466  
137/895
- 3,936,382 A \* 2/1976 White ..... B01F 5/0453  
210/198.1
- 4,368,009 A 1/1983 Heimovics, Jr. et al.
- 5,004,176 A 4/1991 Niedospial
- D347,263 S \* 5/1994 Phillips ..... D23/231
- D357,974 S \* 5/1995 Phillips ..... D23/231
- D386,558 S \* 11/1997 Rietkerk ..... F16K 15/20  
D2/946
- 8,066,493 B2 11/2011 Renz et al.



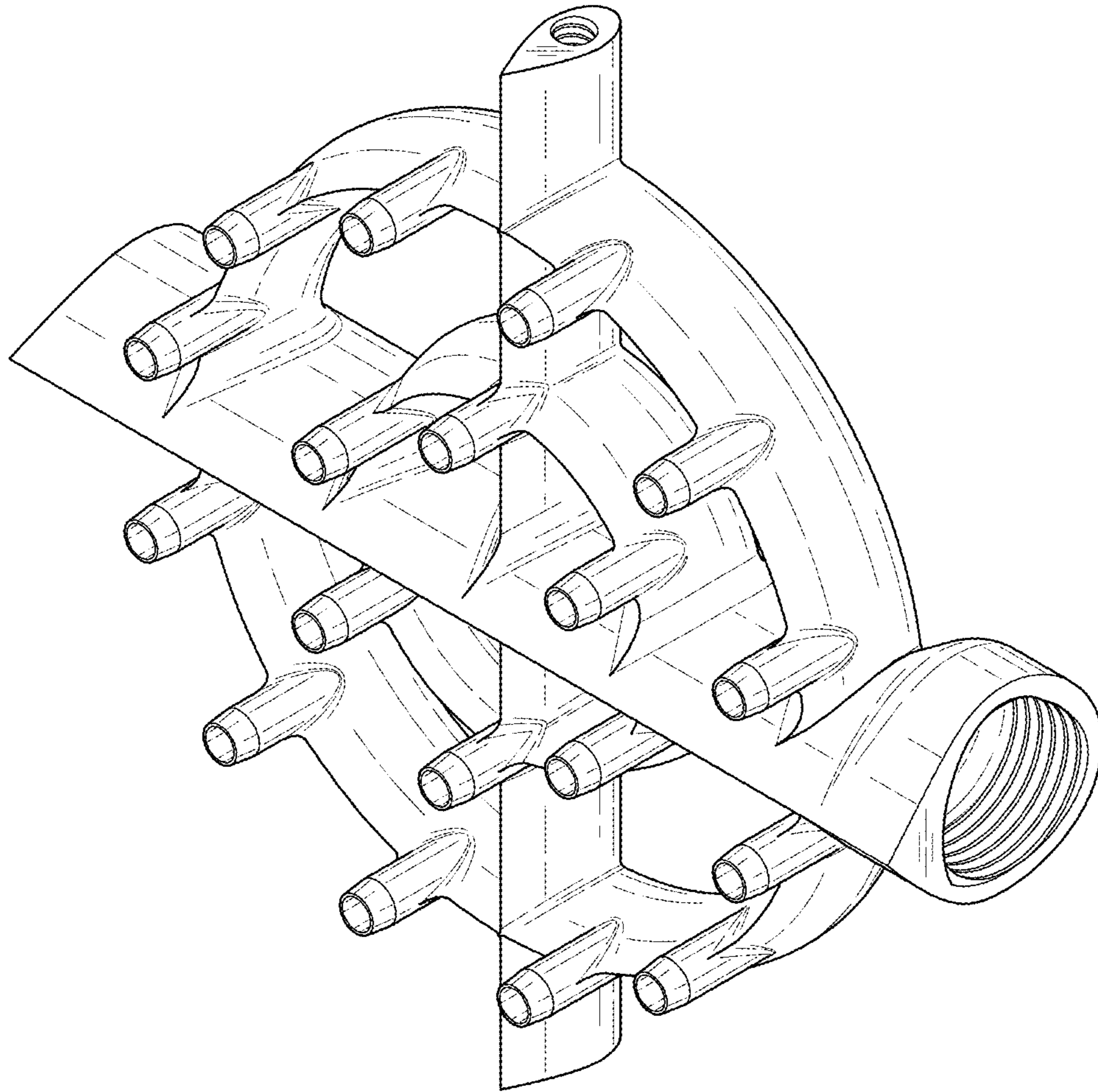


FIG. 1

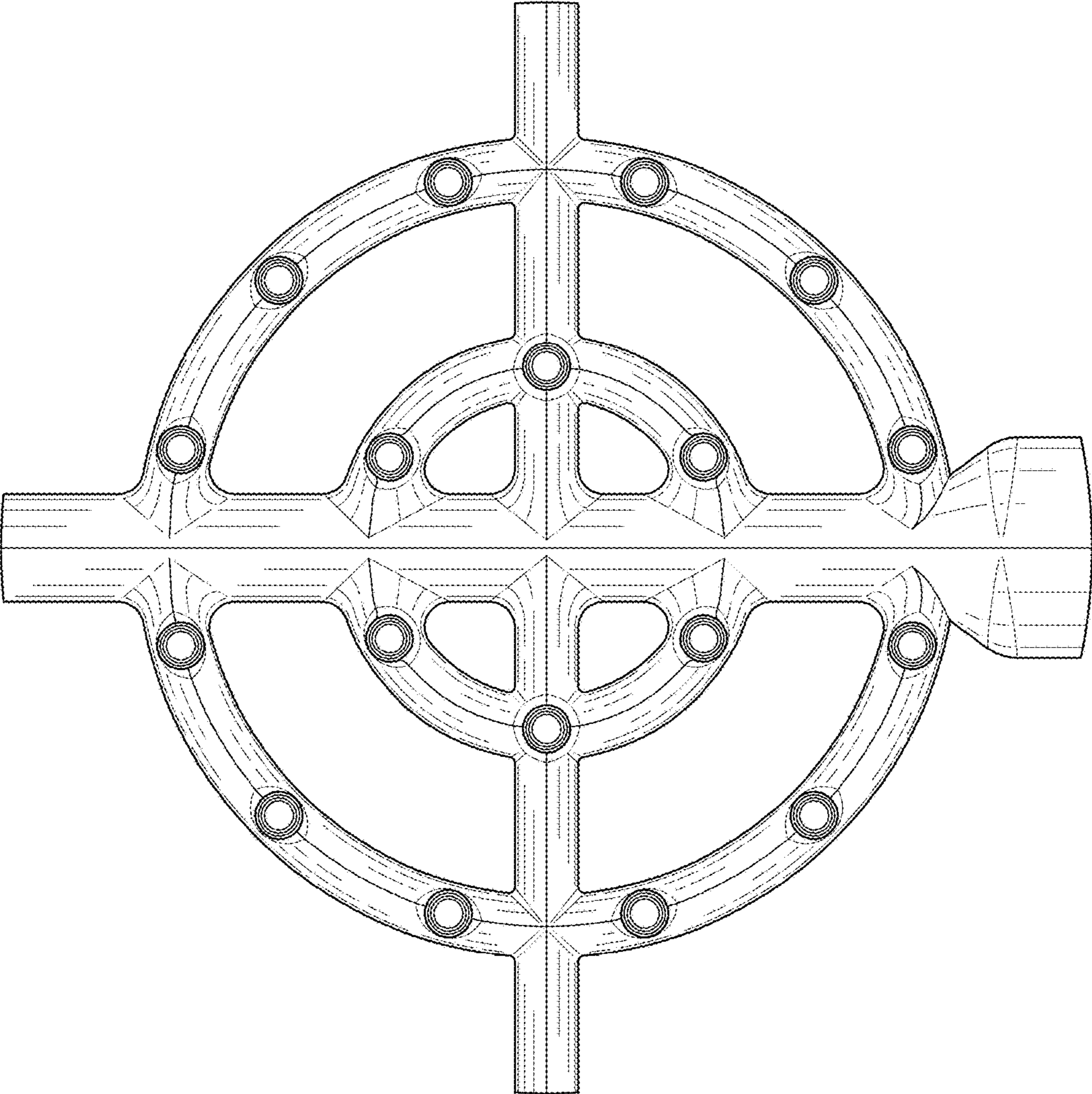


FIG. 2

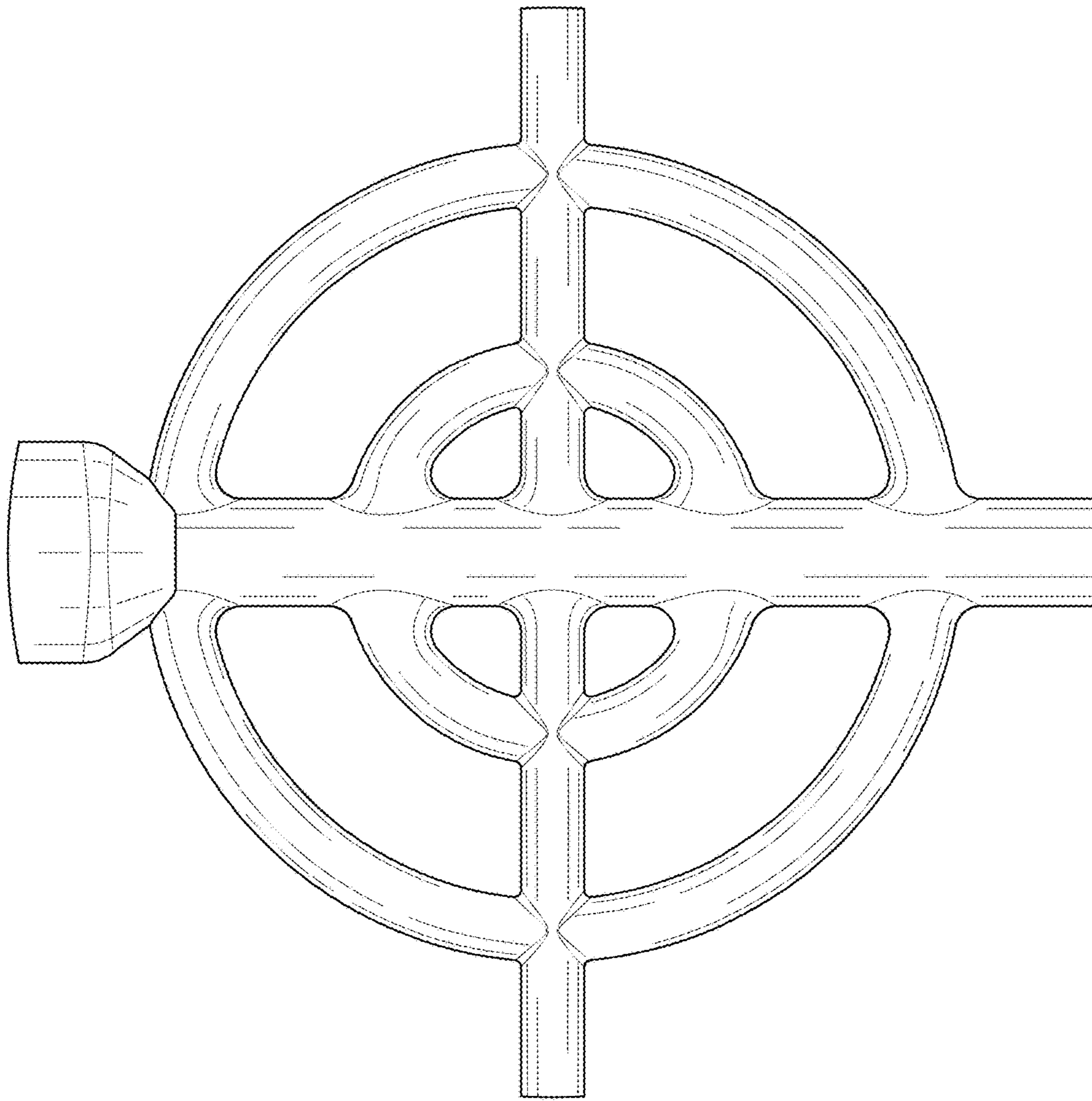


FIG. 3

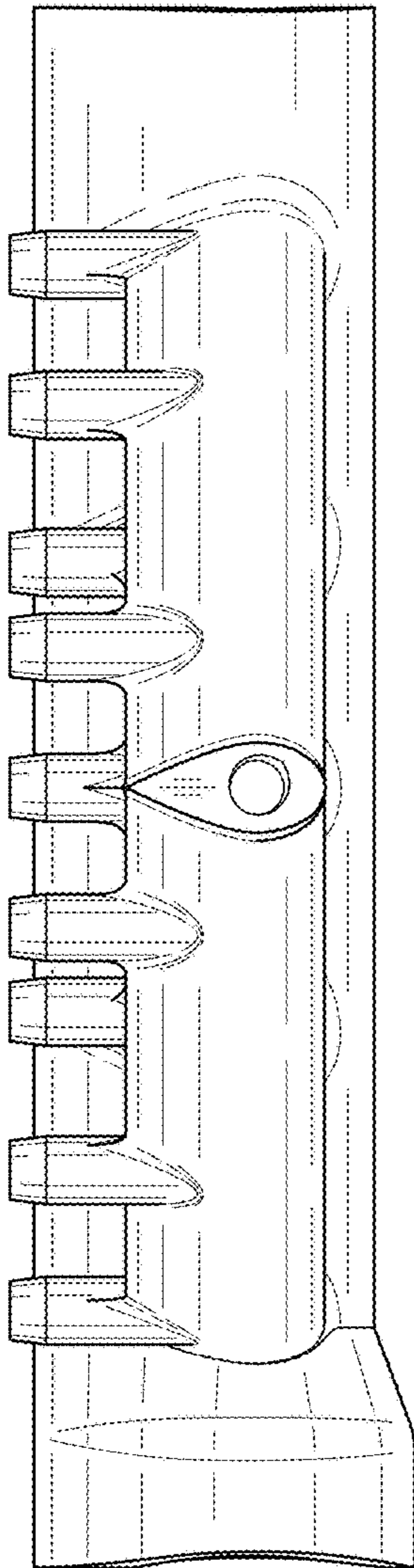


FIG. 4

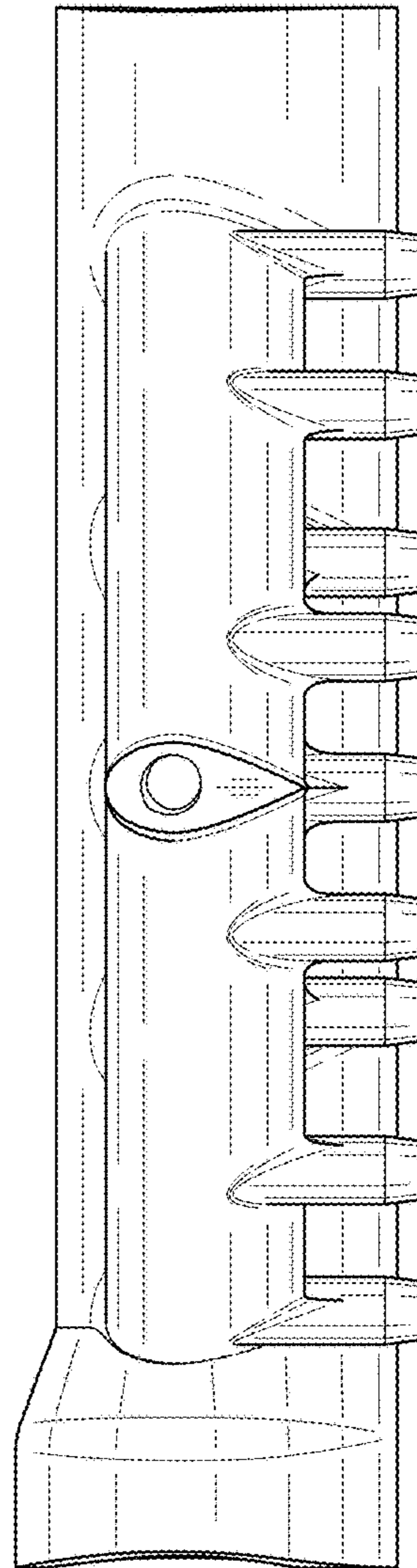


FIG. 5

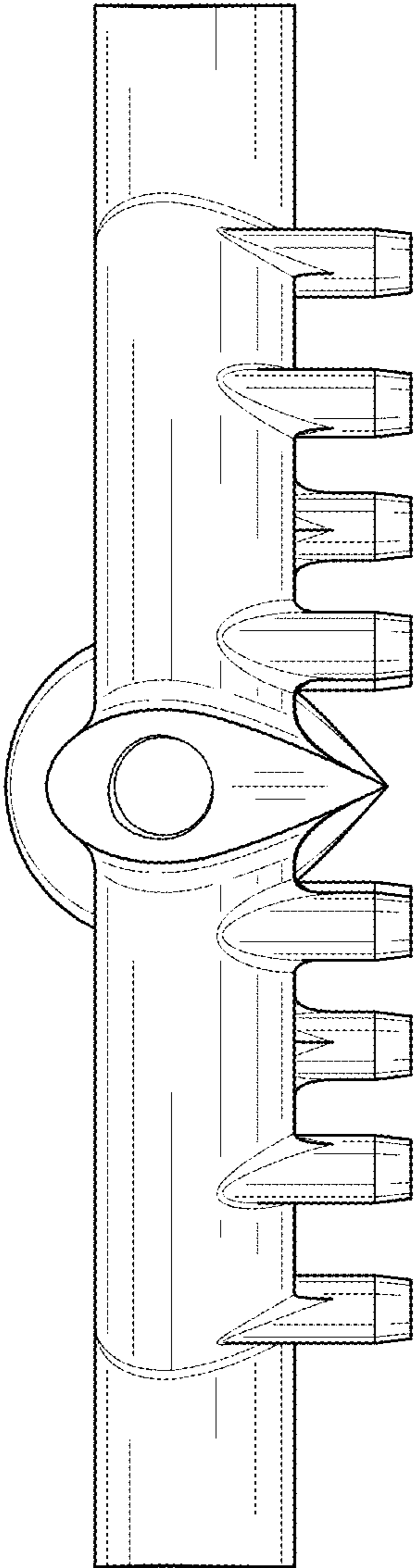


FIG. 6

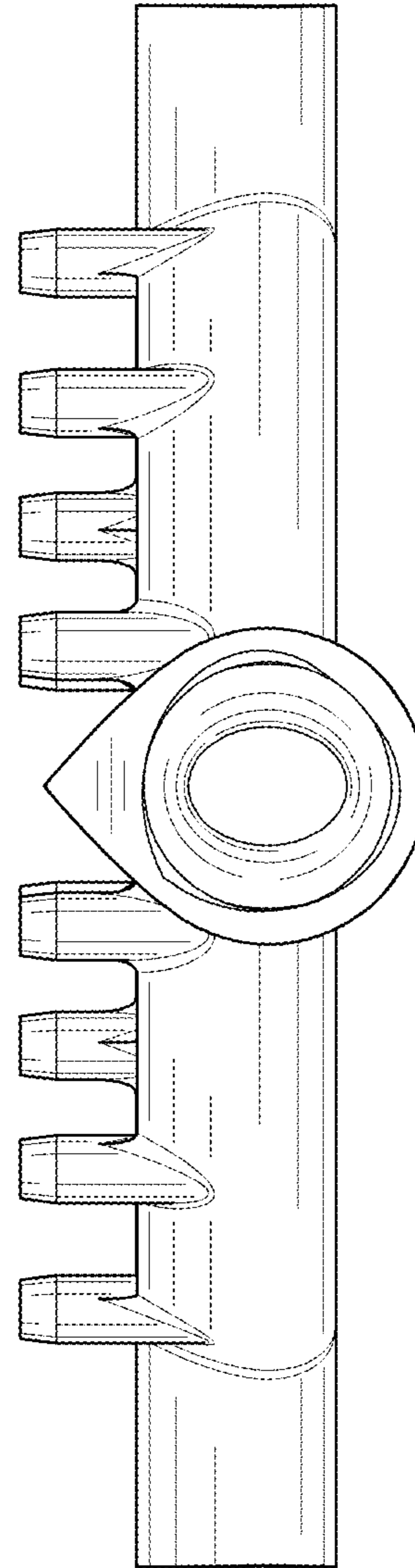


FIG. 7