



US00D839386S

(12) **United States Design Patent**
Ghorbani

(10) **Patent No.:** **US D839,386 S**

(45) **Date of Patent:** **** Jan. 29, 2019**

(54) **PAINT SPRAY GUN**

(71) Applicant: **M. G. Distributor, Inc.**, Reseda, CA
(US)

(72) Inventor: **Mike Ghorbani**, Beverly Hills, CA
(US)

(**) Term: **15 Years**

(21) Appl. No.: **29/610,620**

(22) Filed: **Jul. 13, 2017**

(51) **LOC (11) Cl.** **23-01**

(52) **U.S. Cl.**
USPC **D23/226**

(58) **Field of Classification Search**
USPC D23/213, 223, 226
CPC B05B 1/00; B05B 9/01; B05B 9/03; B05B
1/005; B05B 5/1691; B05B 5/043; B05B
5/025

See application file for complete search history.

(56) **References Cited**

U.S. PATENT DOCUMENTS

D551,321 S * 9/2007 Huang D23/226
D614,731 S * 4/2010 Wang B05B 9/01
D23/226
D641,067 S * 7/2011 Wang D23/226
D644,716 S * 9/2011 Gehrung D23/226

D672,012 S * 12/2012 Brose D23/226
D690,799 S * 10/2013 Maier D23/226
D740,393 S * 10/2015 Gehrung D23/226
9,427,758 B2 * 8/2016 Kosaka B05B 9/01
9,476,786 B2 * 10/2016 Hata G01L 19/00
D770,593 S * 11/2016 Gehrung D23/226
D778,405 S * 2/2017 Wang D23/226
D792,557 S * 7/2017 Wang D23/226
D794,755 S * 8/2017 Wang D23/226
D794,756 S * 8/2017 Wang D23/226

* cited by examiner

Primary Examiner — Robin V Webster

(74) *Attorney, Agent, or Firm* — Payam Moradian

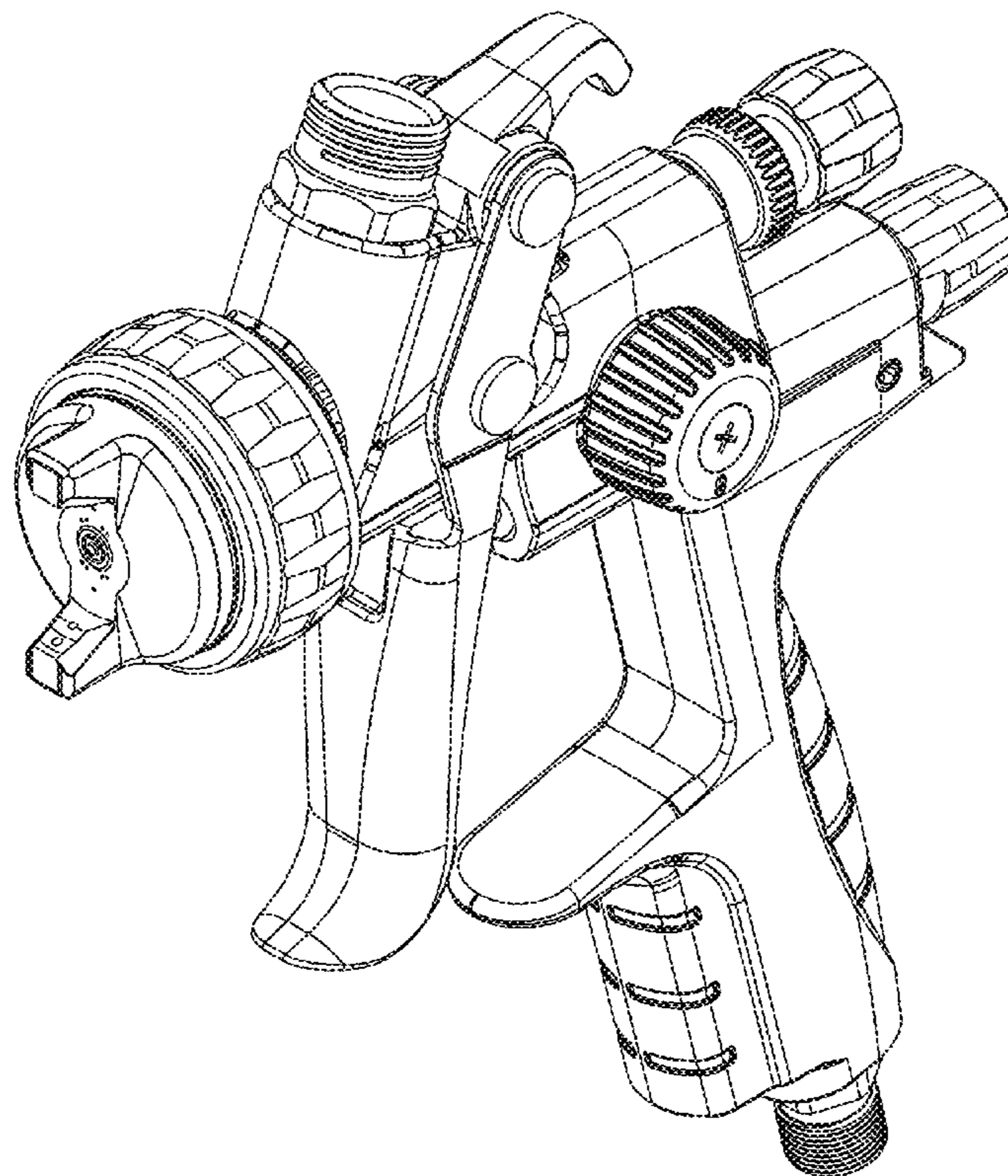
(57) **CLAIM**

I claim the ornamental design for a paint spray gun, as shown and described.

DESCRIPTION

FIG. 1 is a top right perspective view of the paint spray gun; FIG. 2 is a bottom right perspective view thereof; FIG. 3 is a top plan view thereof; FIG. 4 is a top right perspective view thereof; FIG. 5 is a left side view thereof; FIG. 6 is a front side view thereof; FIG. 7 is a right side view thereof; FIG. 8 is a rear side view thereof; FIG. 9 is a bottom right perspective view thereof; and, FIG. 10 is a bottom view thereof.

1 Claim, 10 Drawing Sheets



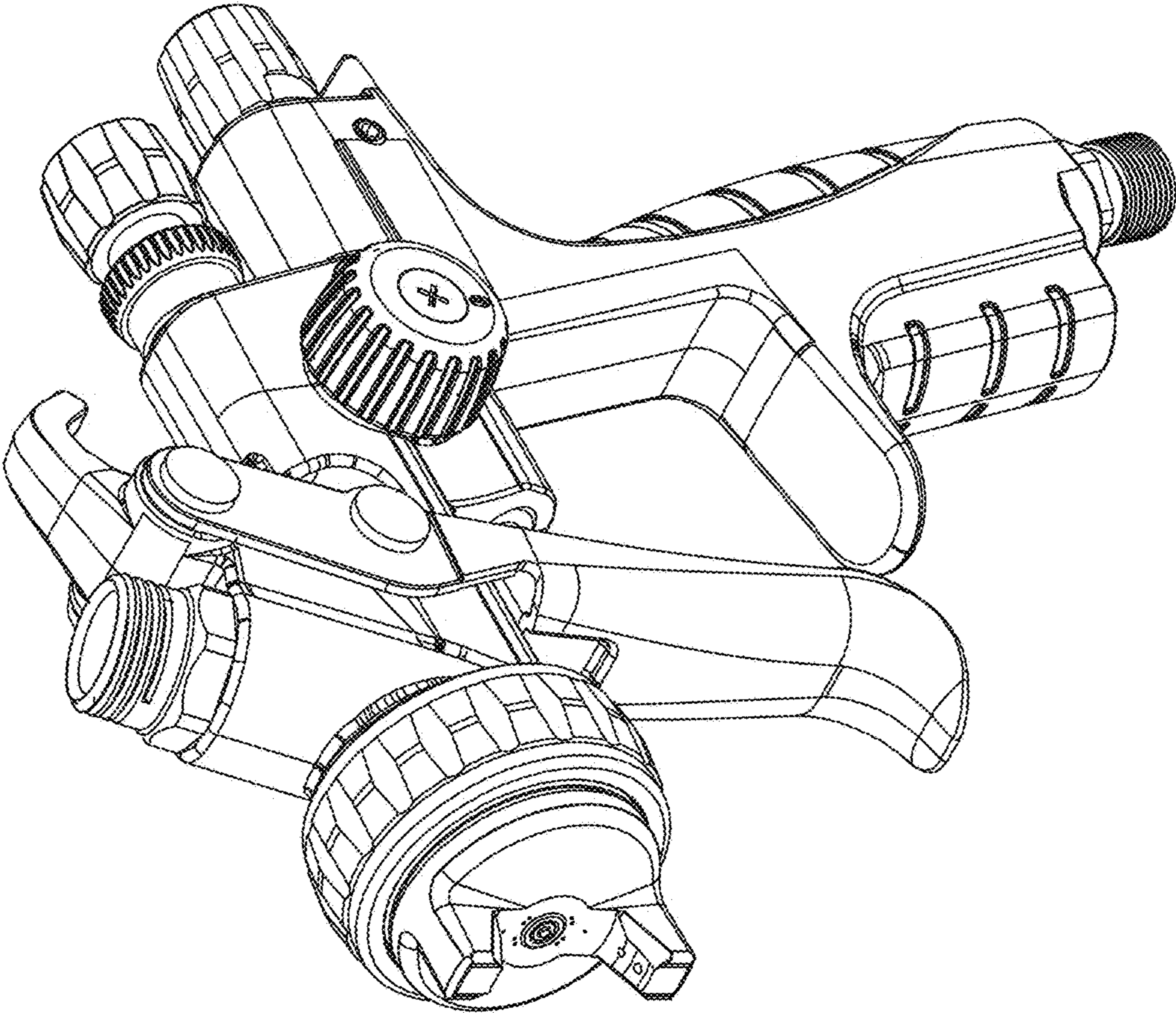


FIG. 1

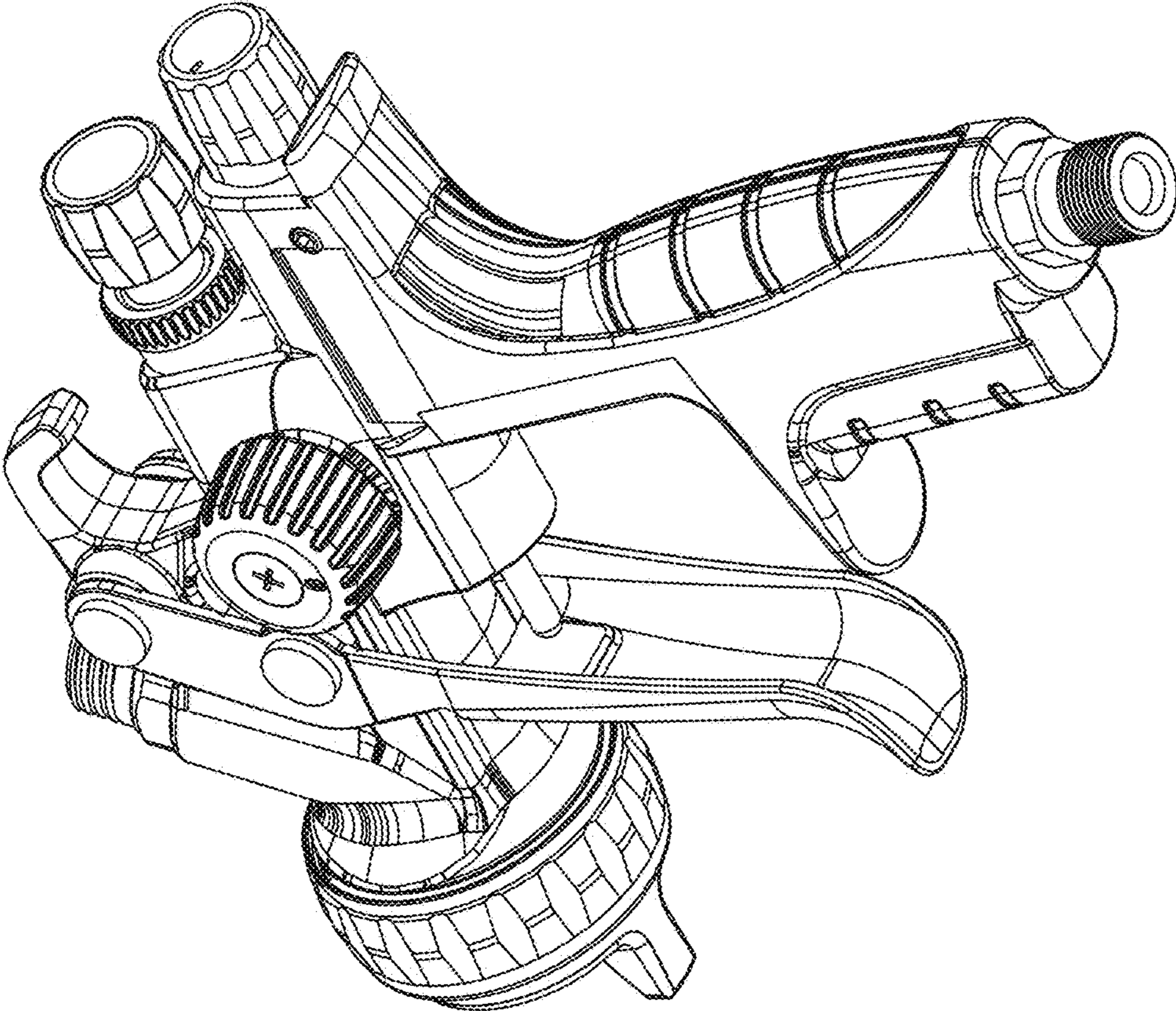


FIG. 2

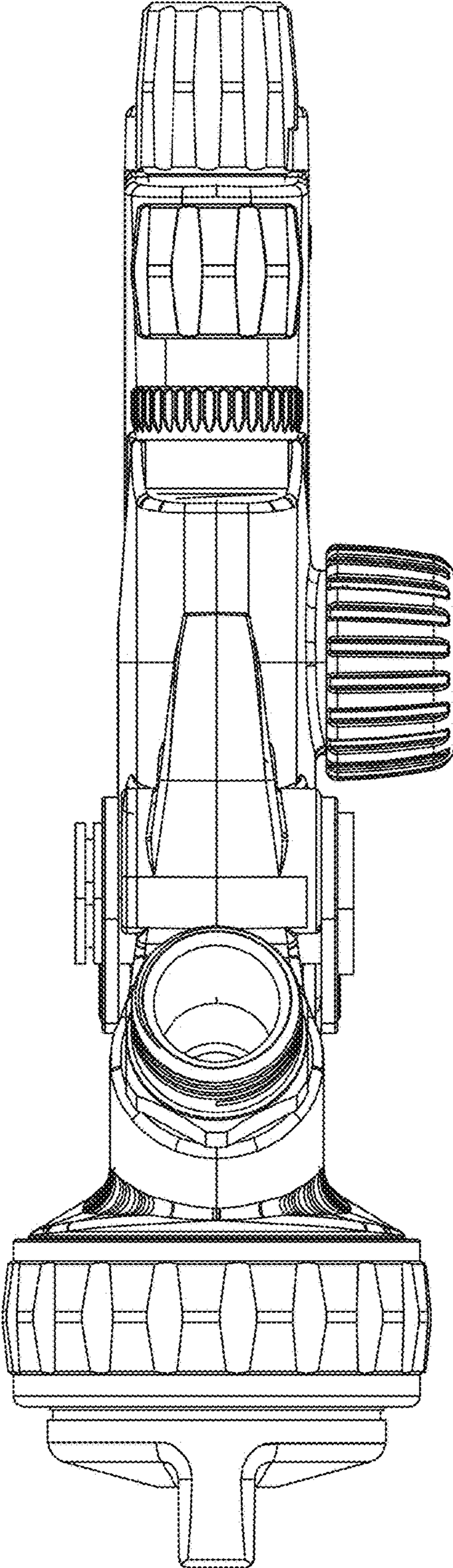


FIG. 3

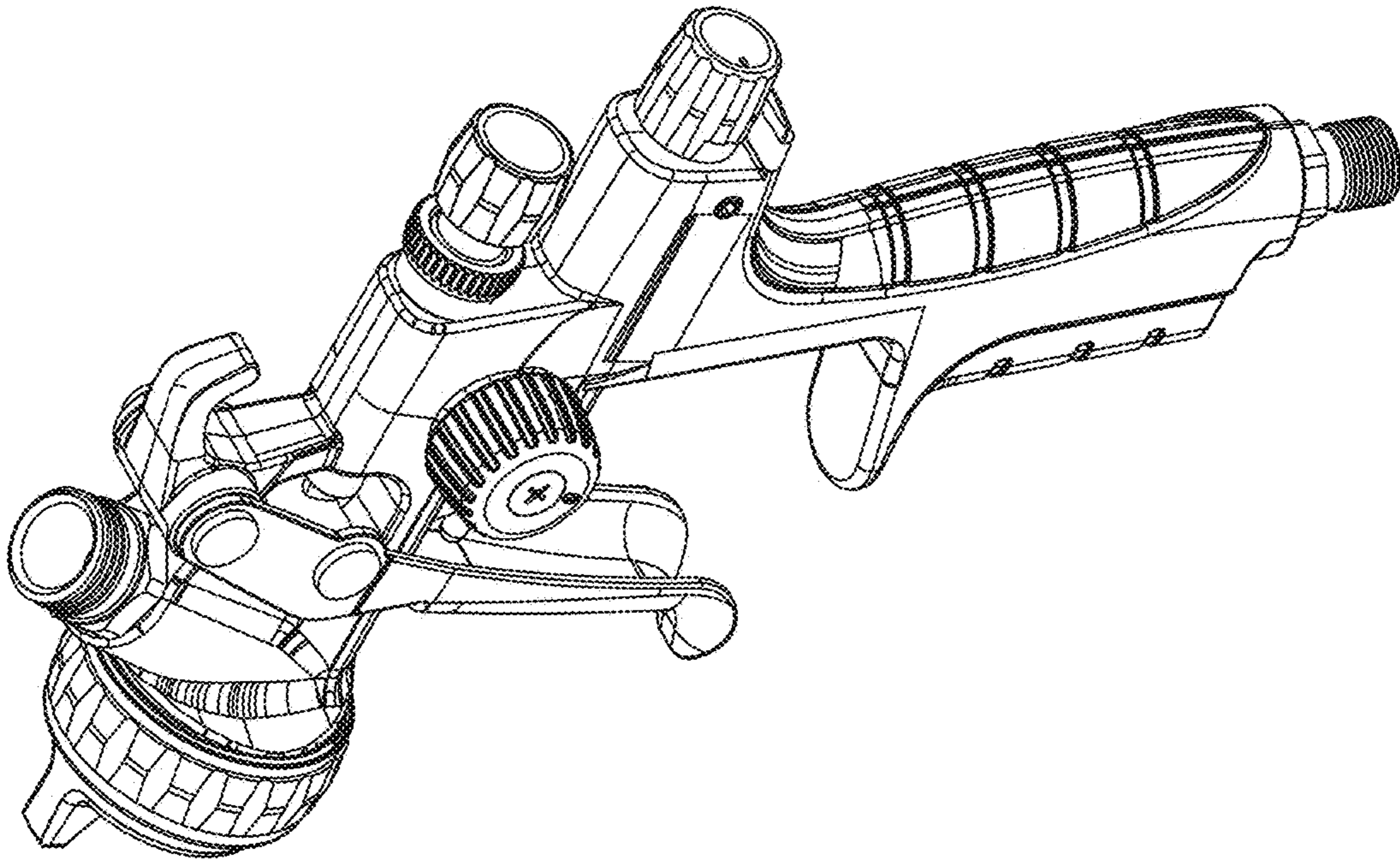


FIG. 4

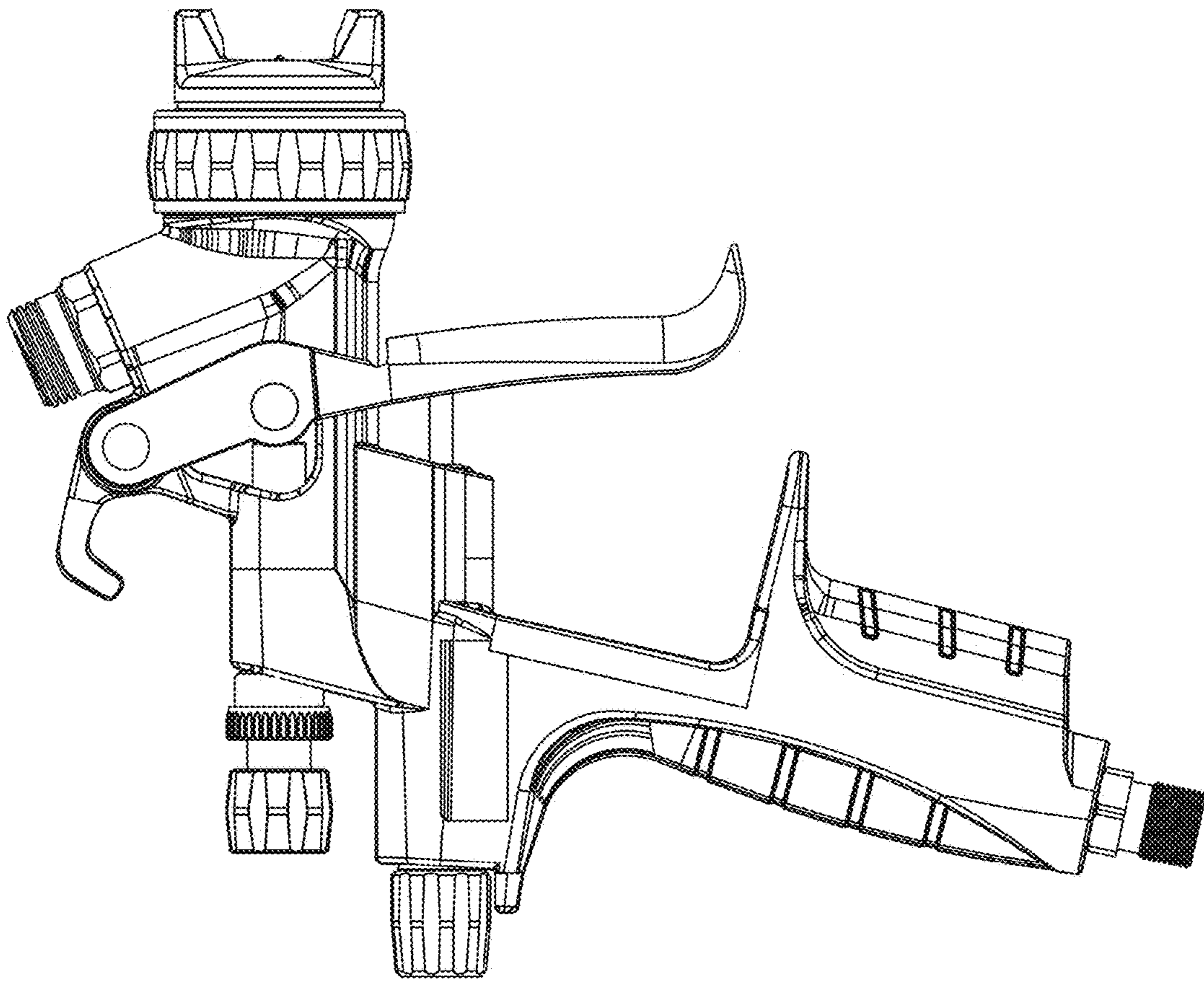


FIG. 5

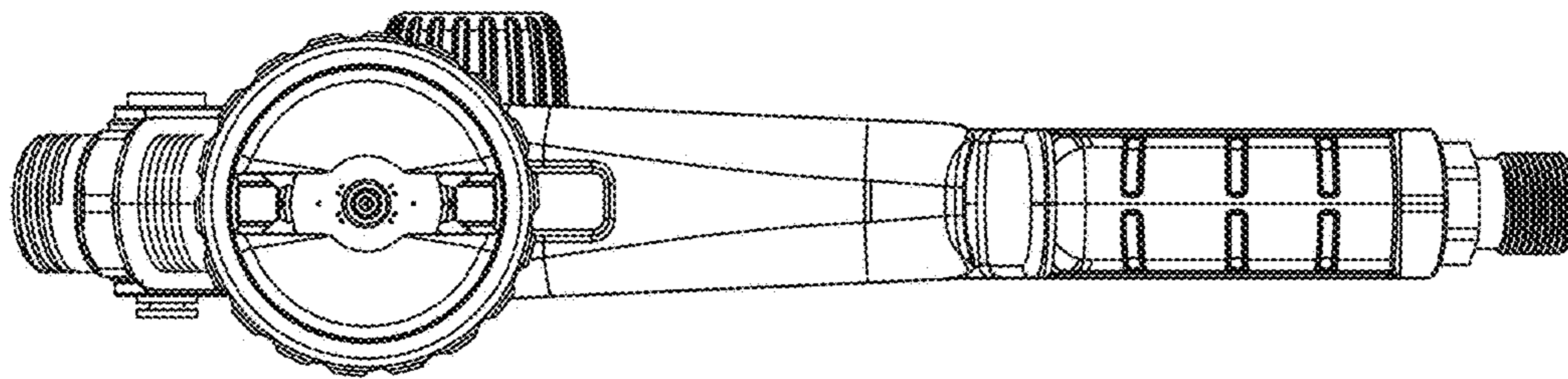


FIG. 6

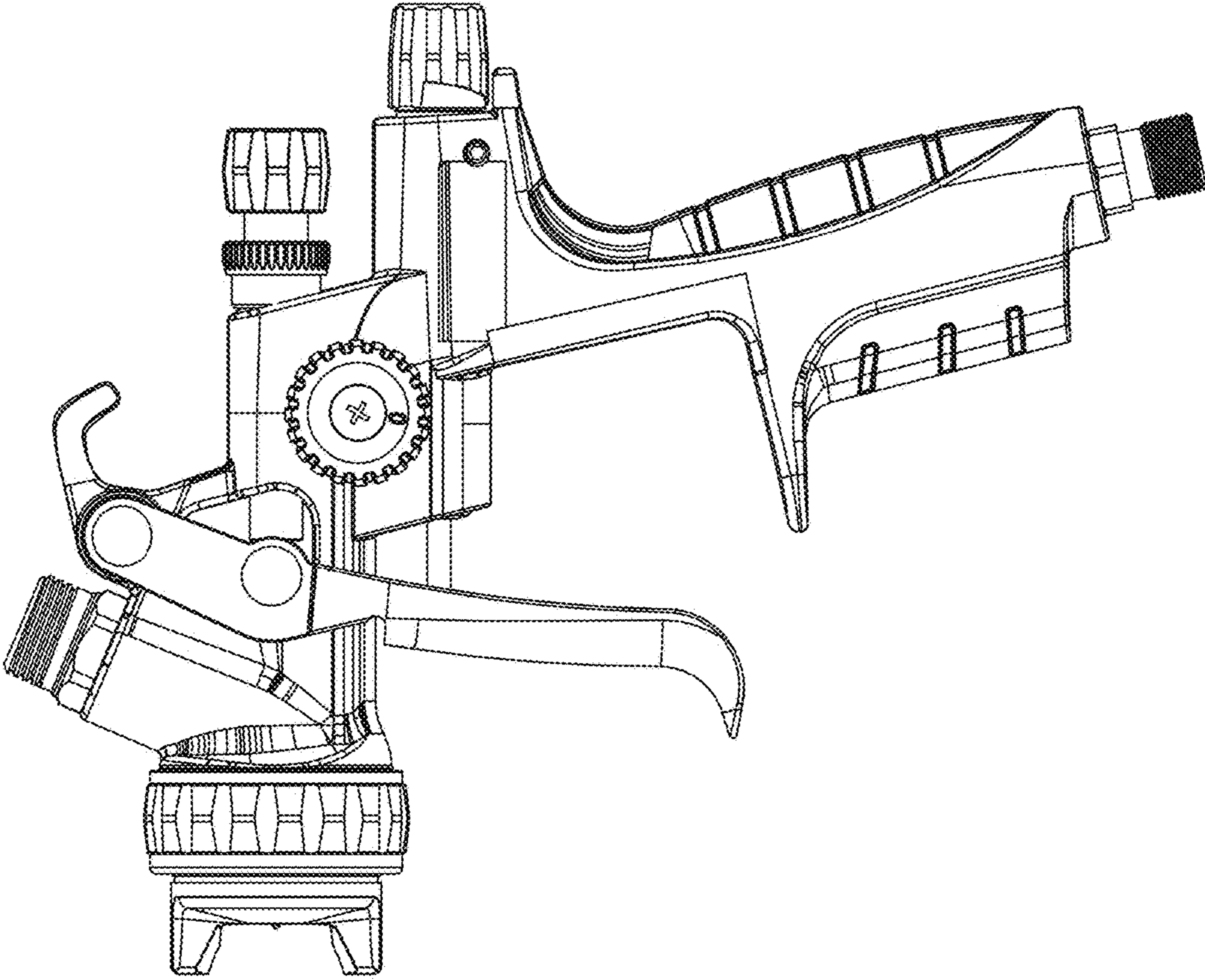


FIG. 7

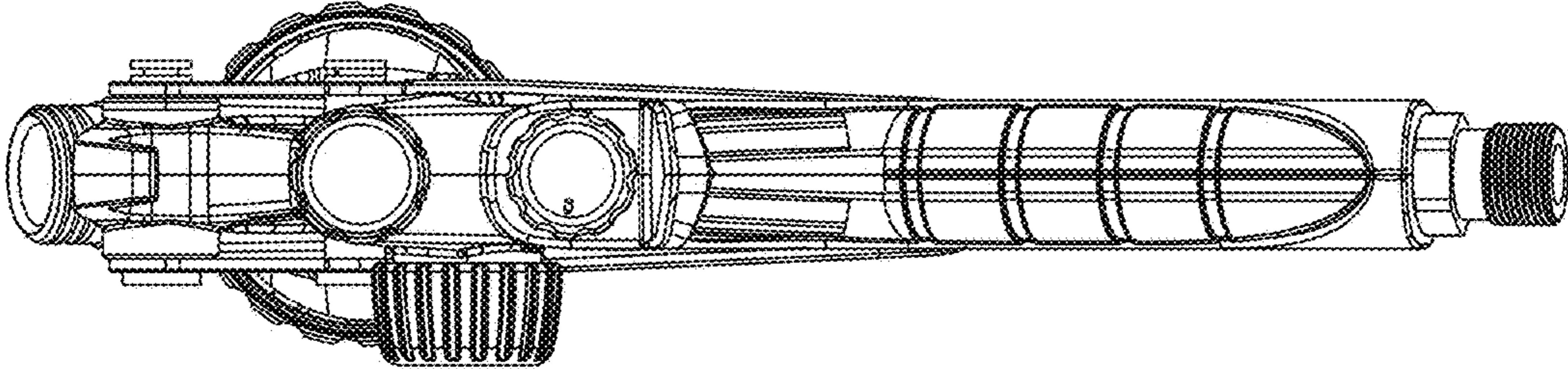


FIG. 8

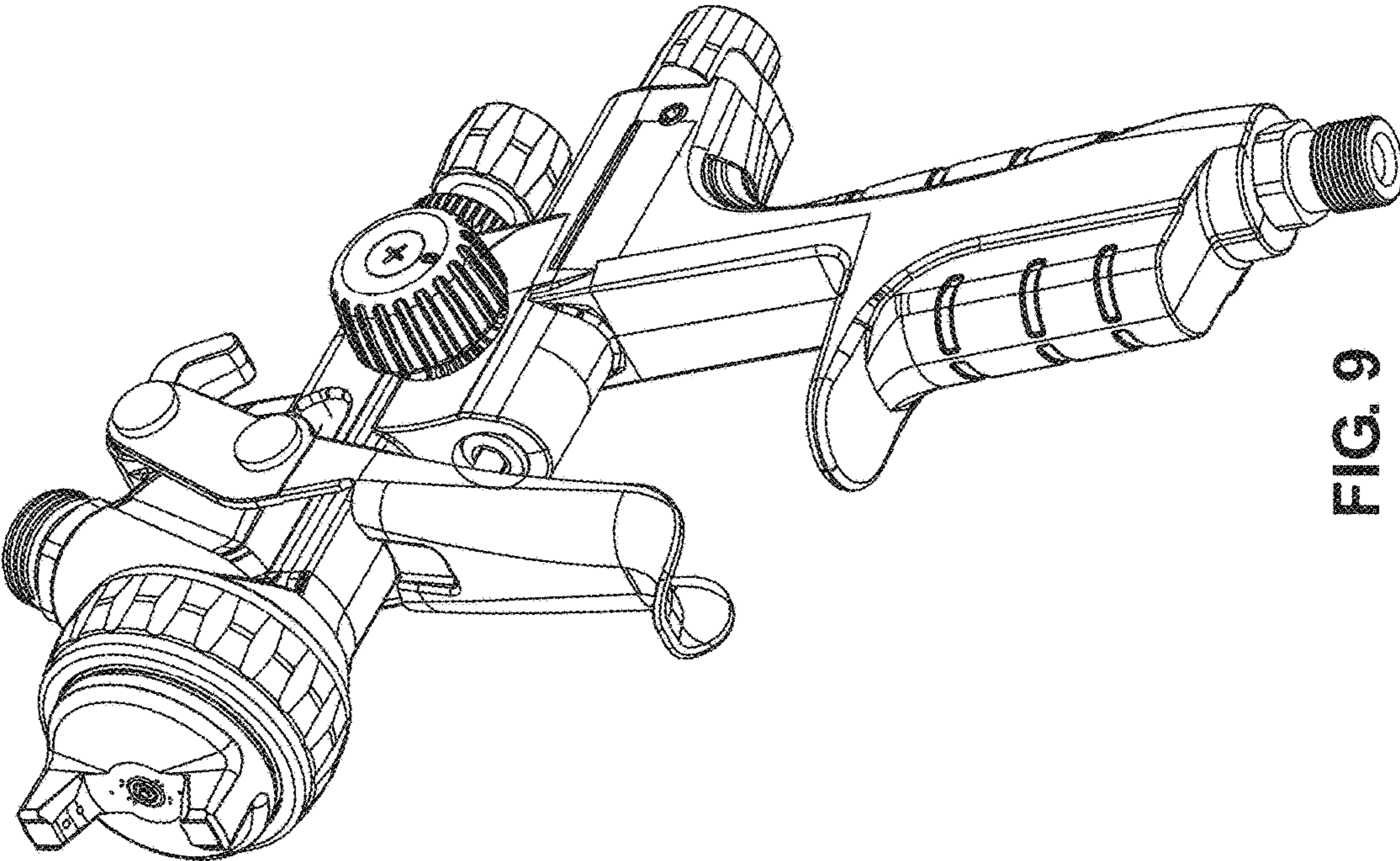


FIG. 9

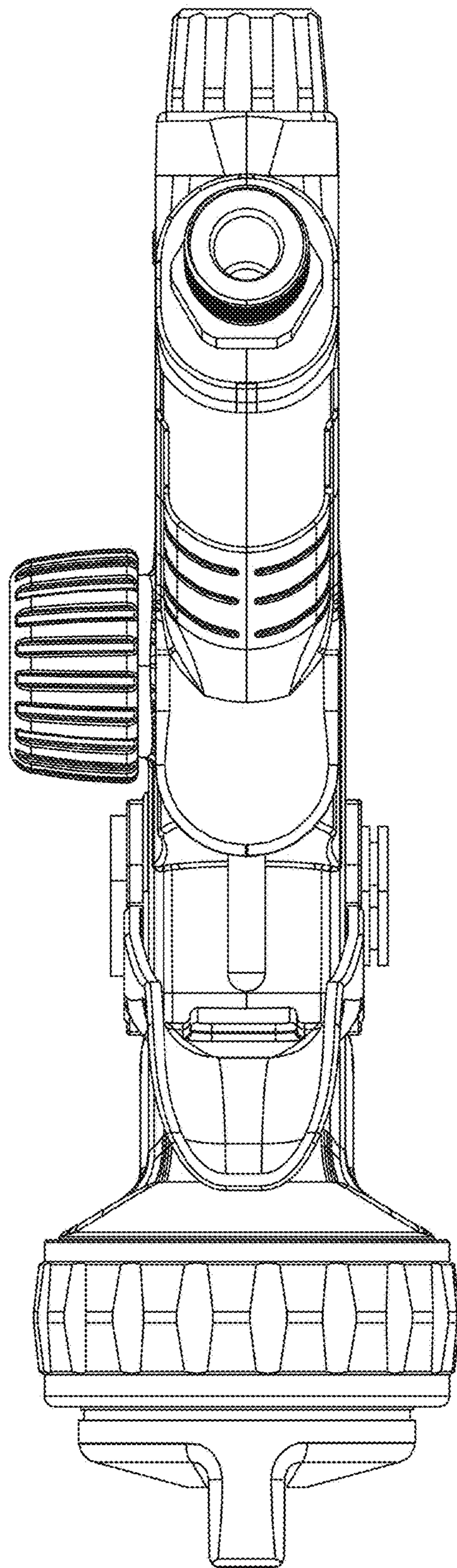


FIG. 10