



US00D839385S

(12) **United States Design Patent**  
**Vögeli**

(10) **Patent No.:** **US D839,385 S**

(45) **Date of Patent:** **\*\* Jan. 29, 2019**

(54) **FAUCET STREAM STRAIGHTENER**

(71) Applicant: **NEOPERL GMBH**, Müllheim (DE)

(72) Inventor: **Thomas Vögeli**, Bubendorf (CH)

(73) Assignee: **Neoperl GmbH**, Müllheim (DE)

(\*\*) Term: **15 Years**

(21) Appl. No.: **35/502,775**

(22) Filed: **Mar. 13, 2017**

(80) **Hague Agreement Data**

Int. Filing Date: **Mar. 13, 2017**

Int. Reg. No.: **DM/095431**

Int. Reg. Date: **Mar. 13, 2017**

Int. Reg. Pub. Date: **Apr. 7, 2017**

(51) **LOC (11) Cl.** ..... **23-01**

(52) **U.S. Cl.**  
USPC ..... **D23/213**

(58) **Field of Classification Search**  
USPC ..... D23/213, 229, 233, 235, 247-249, 264  
CPC ..... B05B 7/0425; E03C 1/08; E03C 1/084;  
E03C 1/086; E03C 2001/026

See application file for complete search history.

(56) **References Cited**

U.S. PATENT DOCUMENTS

D192,906 S *	5/1962	Gross .....	D23/213
D322,837 S *	12/1991	Woodruff .....	D23/213
D536,417 S *	2/2007	Buttgen .....	D23/213
D537,916 S *	3/2007	Buttgen .....	D23/213
D632,367 S *	2/2011	Stein .....	D23/249
D728,738 S *	5/2015	Birmelin .....	D23/213

\* cited by examiner

*Primary Examiner* — Keli L Hill

(74) *Attorney, Agent, or Firm* — Volpe and Koeing, P.C.

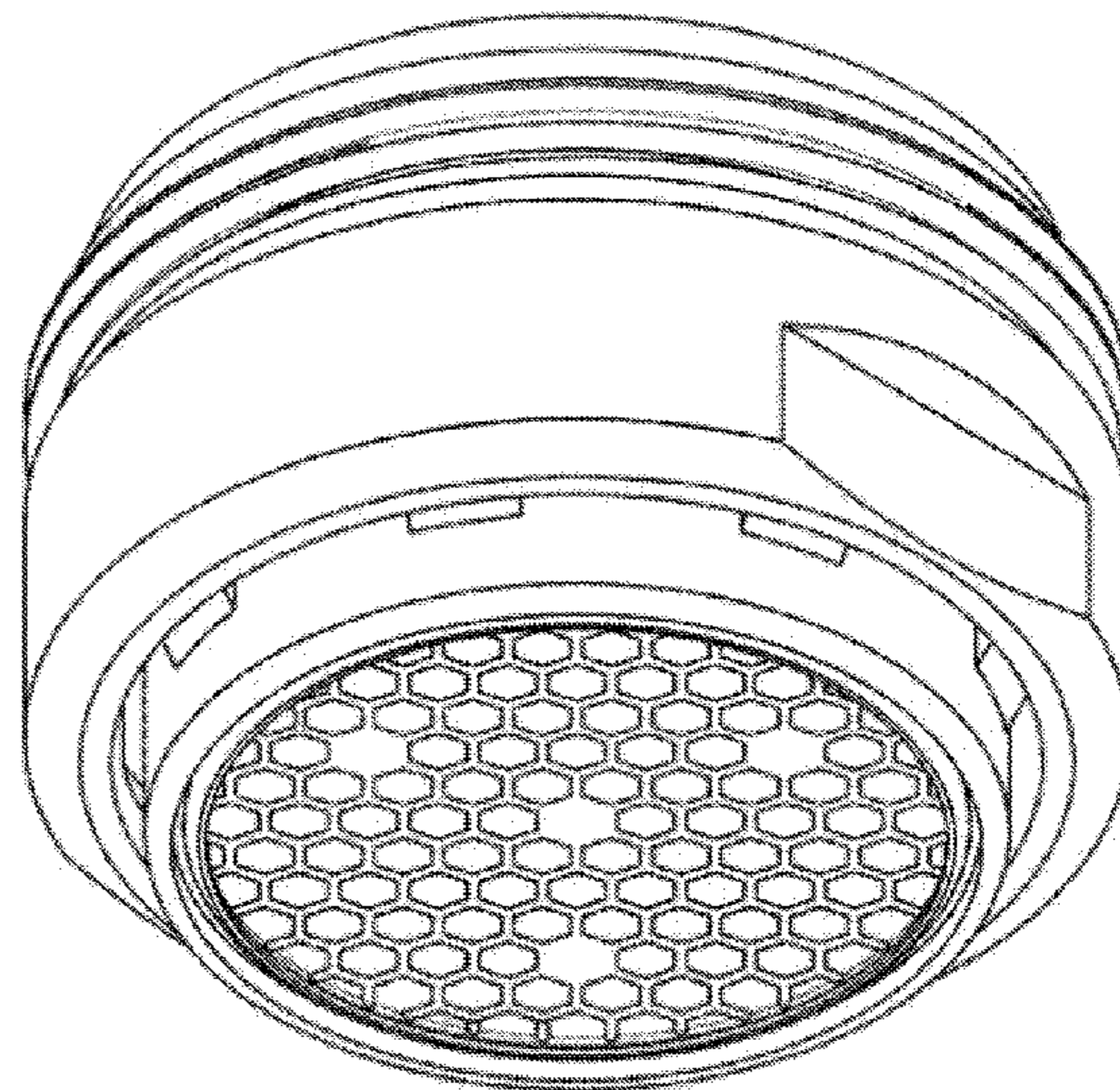
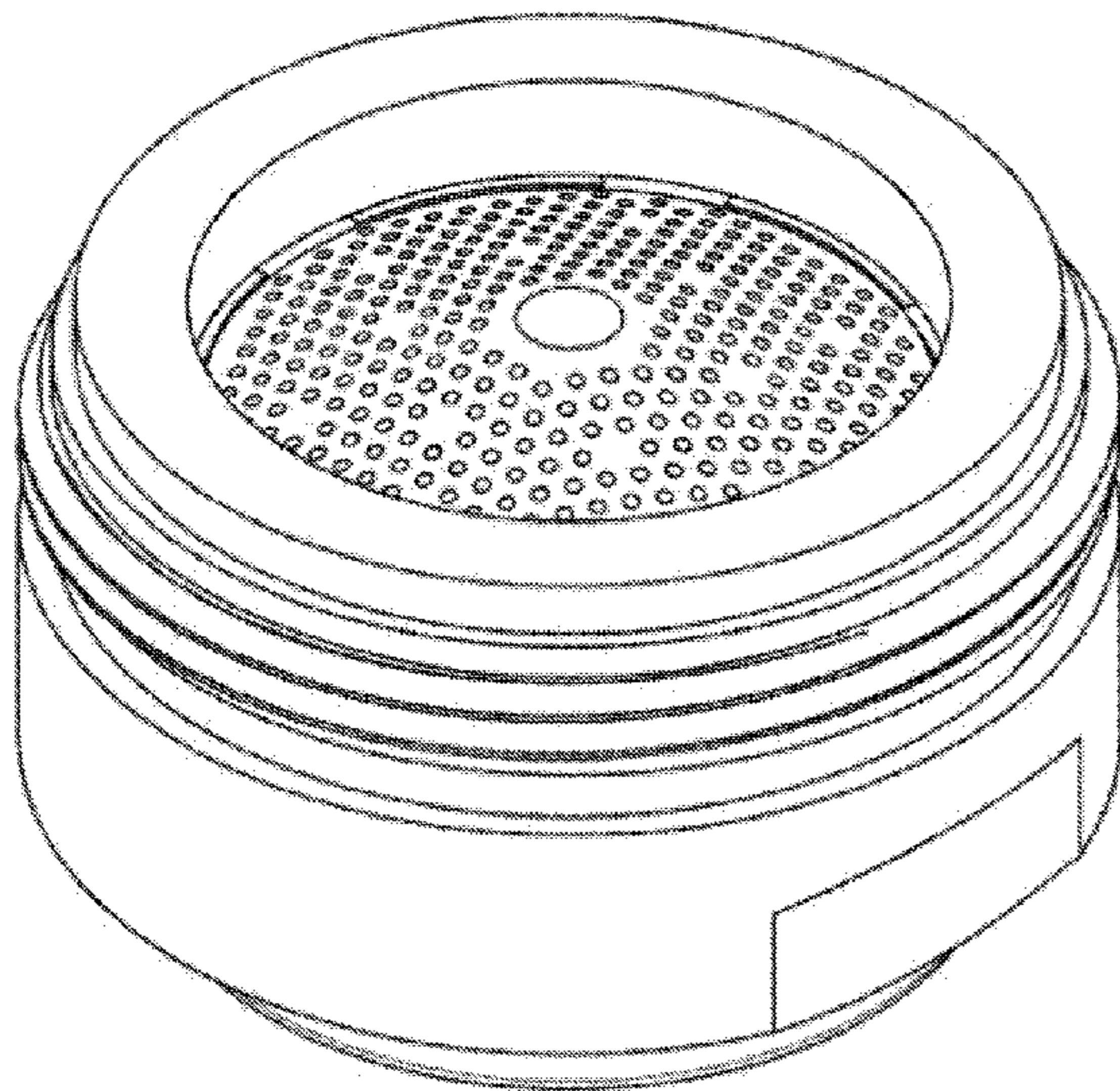
(57) **CLAIM**

The ornamental design for a faucet stream straightener, as shown and described.

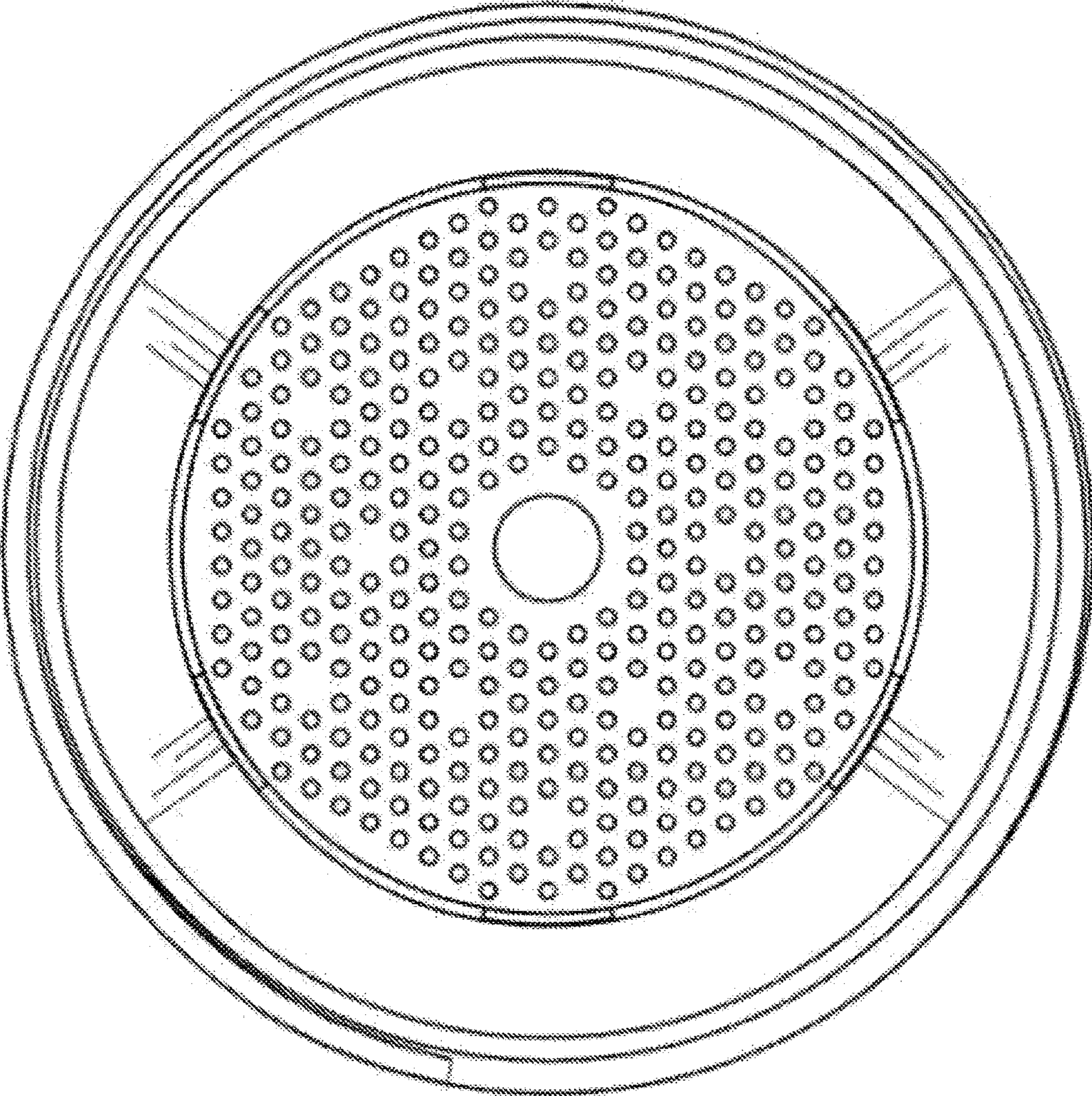
**DESCRIPTION**

- 1. Faucet stream straightener
- 1.1 : Top
- 1.2 : Perspective
- 1.3 : Bottom
- 1.4 : Perspective
- 1.5 : Front
- 1.6 : Left

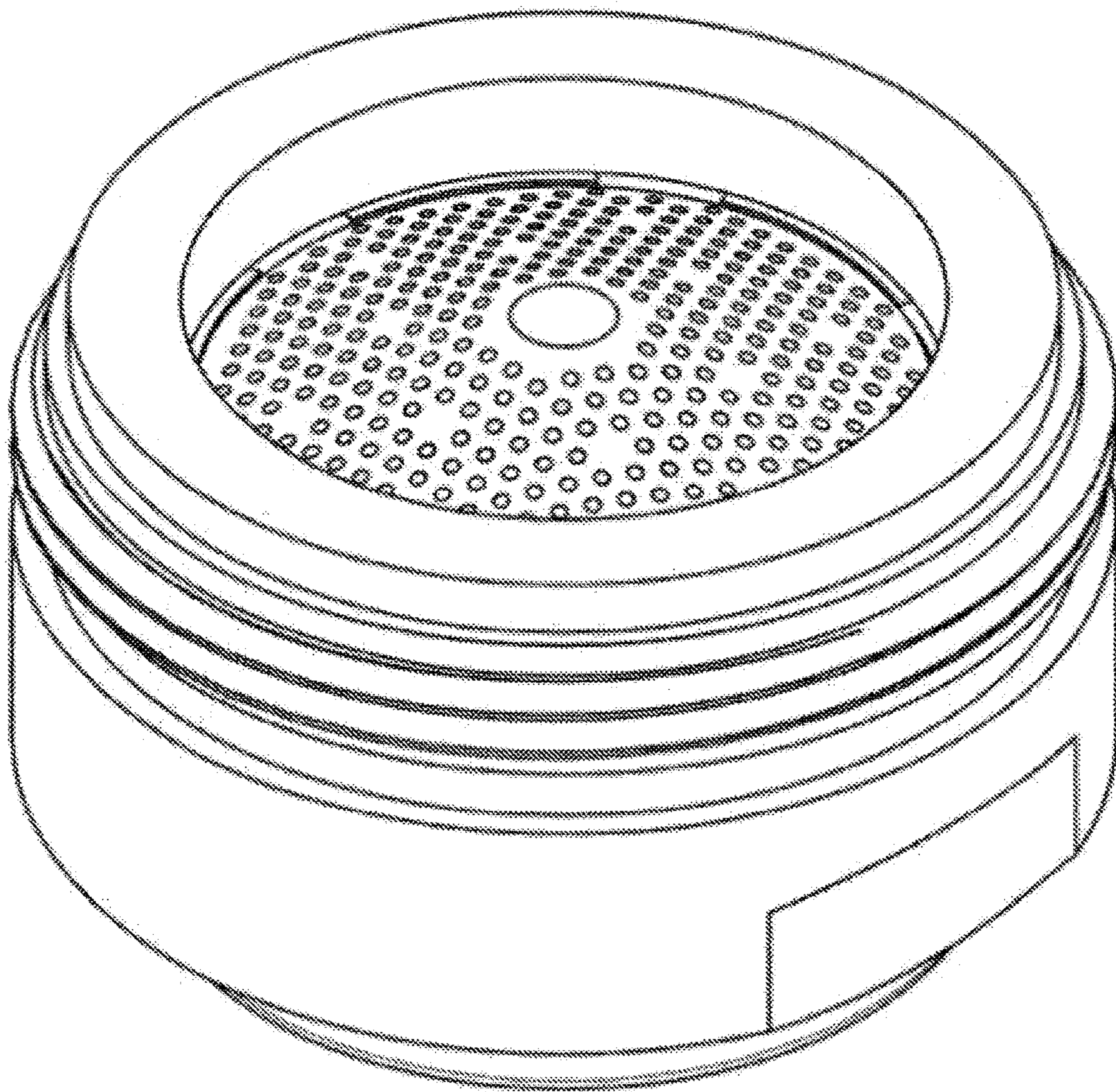
**1 Claim, 6 Drawing Sheets**



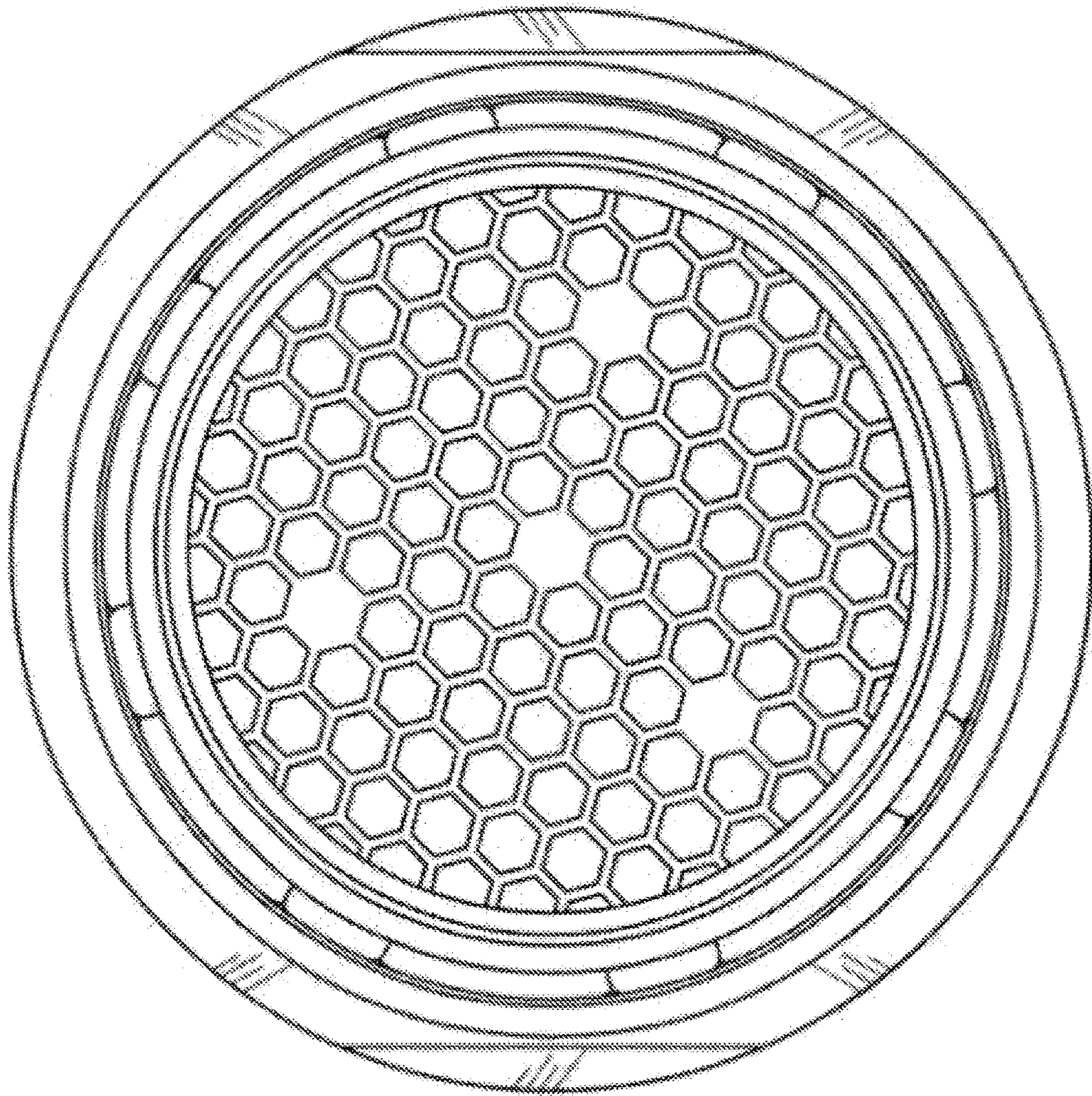
**1.1**



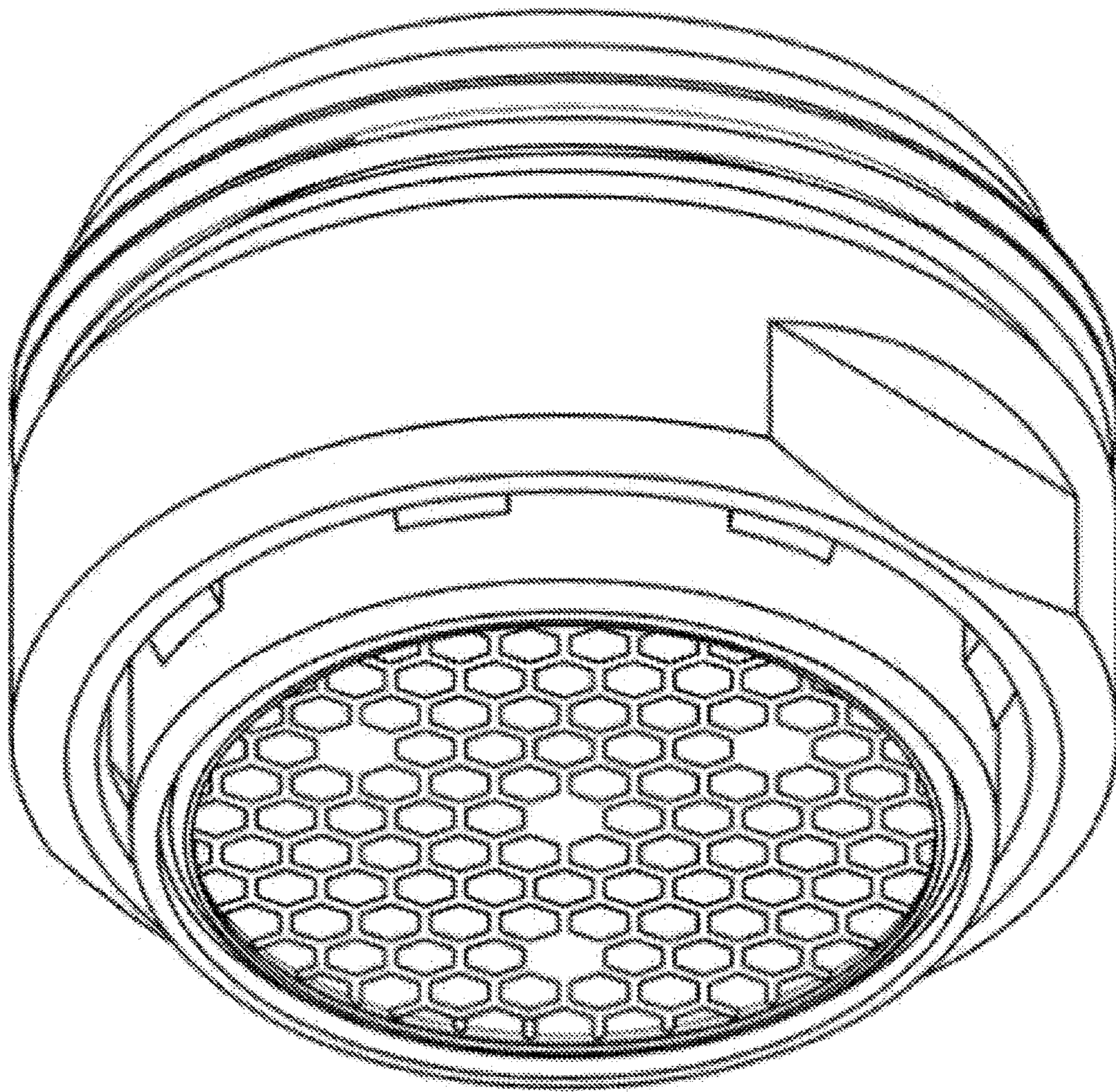
**1.2**



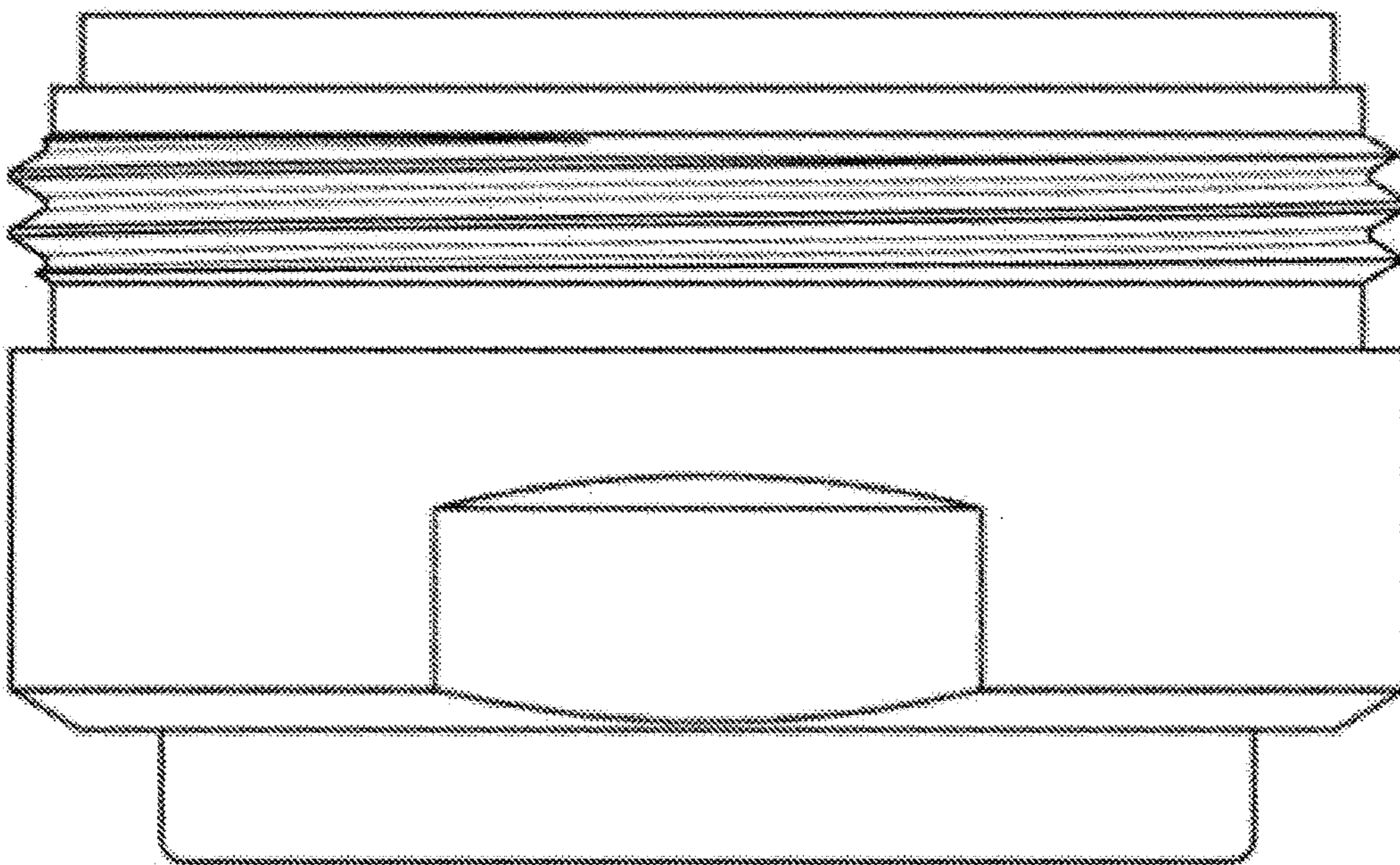
**1.3**



**1.4**



**1.5**



# 1.6

