



US00D839384S

(12) **United States Design Patent**
Svendsen et al.

(10) **Patent No.:** **US D839,384 S**

(45) **Date of Patent:** **** Jan. 29, 2019**

(54) **NOZZLE**
(71) Applicant: **MELNOR, INC.**, Winchester, VA (US)
(72) Inventors: **Sean Wesley Svendsen**, Columbus, OH (US); **Donald Collins Meves**, Columbus, OH (US); **Eric James Fickas**, Plain City, OH (US)

7,124,965 B1 * 10/2006 Chen A62C 31/02
239/525
7,258,285 B1 * 8/2007 Combs A62C 31/03
239/436
D799,001 S * 10/2017 Gooden A62C 31/02
D23/213
D799,002 S * 10/2017 Gooden A62C 31/02
D23/213

(73) Assignee: **MELNOR, INC.**, Winchester, VA (US)

* cited by examiner

(**) Term: **15 Years**

Primary Examiner — Robin V Webster

(21) Appl. No.: **29/598,127**

(74) *Attorney, Agent, or Firm* — Westerman, Hattori, Daniels & Adrian, LLP

(22) Filed: **Mar. 23, 2017**

(51) **LOC (11) Cl.** **23-01**

(52) **U.S. Cl.**
USPC **D23/213**

(57) **CLAIM**

The ornamental design for a nozzle, as shown and described.

(58) **Field of Classification Search**
USPC D23/213, 223, 226; D8/2; 239/532
CPC B05B 15/061; B05B 1/00; B05B 5/00;
B05B 1/005; B05B 3/00; B05B 9/01;
B05B 7/1209

DESCRIPTION

See application file for complete search history.

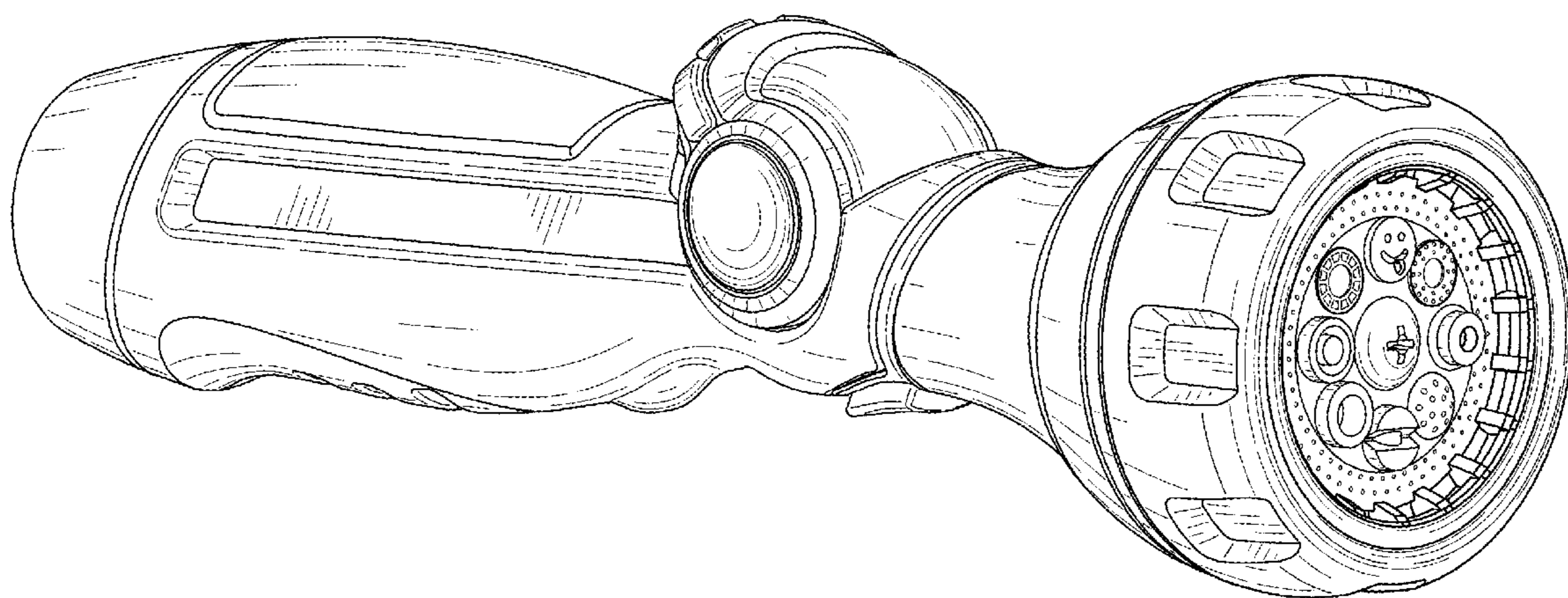
FIG. 1 is a rear perspective view of a nozzle, showing our new design;
FIG. 2 is a front elevational view thereof;
FIG. 3 is a rear elevational view thereof;
FIG. 4 is a right side elevational view thereof;
FIG. 5 is a left side elevational view thereof;
FIG. 6 is a top plan view thereof;
FIG. 7 is a bottom plan view thereof; and,
FIG. 8 is a front perspective view thereof.

(56) **References Cited**

U.S. PATENT DOCUMENTS

2,376,881 A * 5/1945 Nielsen A62C 31/02
239/441
3,150,829 A * 9/1964 Specht A62C 31/02
239/107

1 Claim, 5 Drawing Sheets



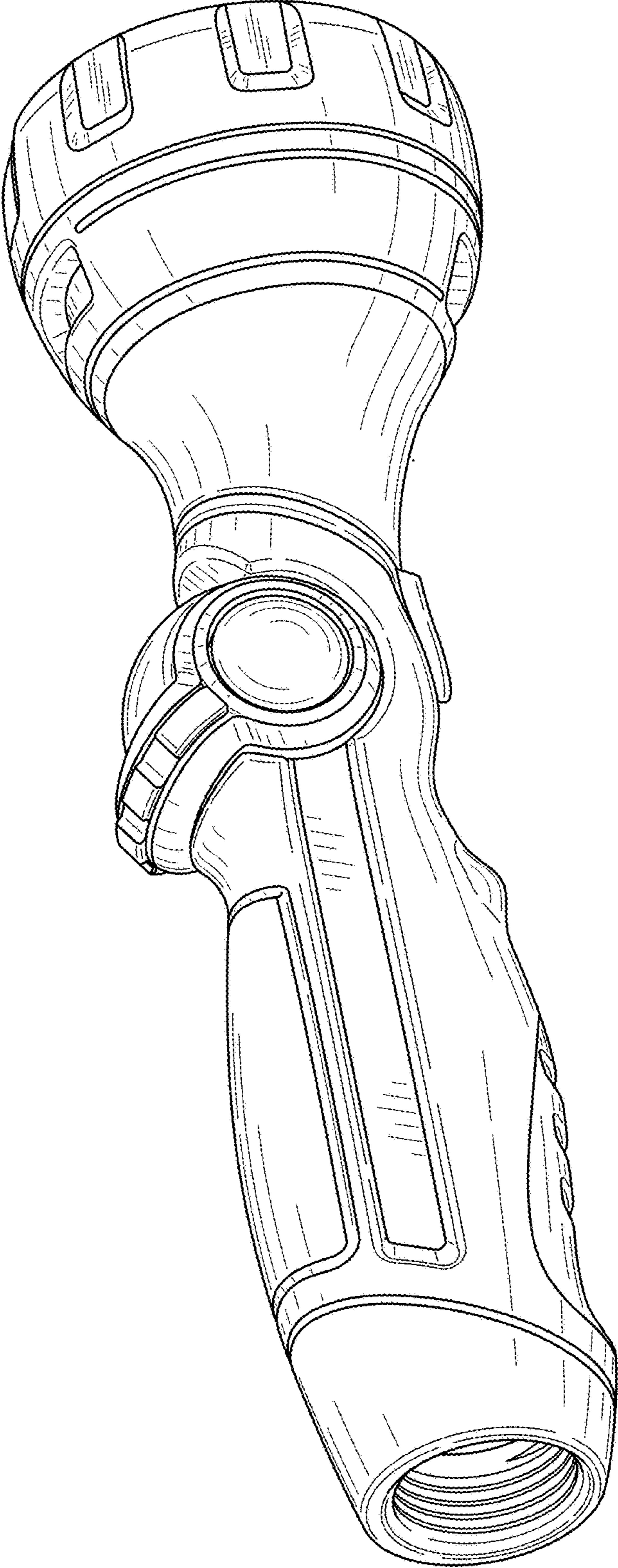


FIG. 1

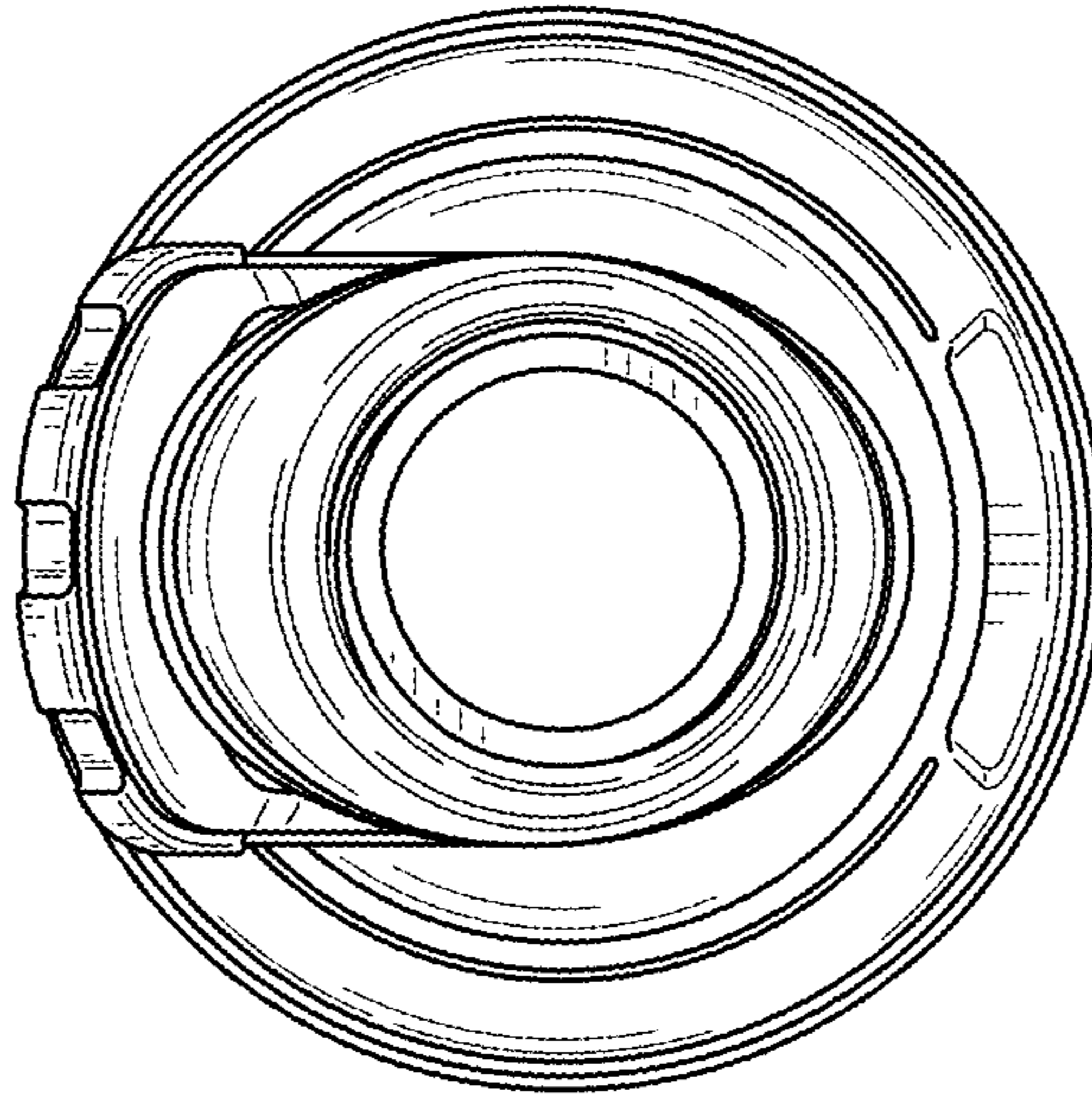


FIG. 3

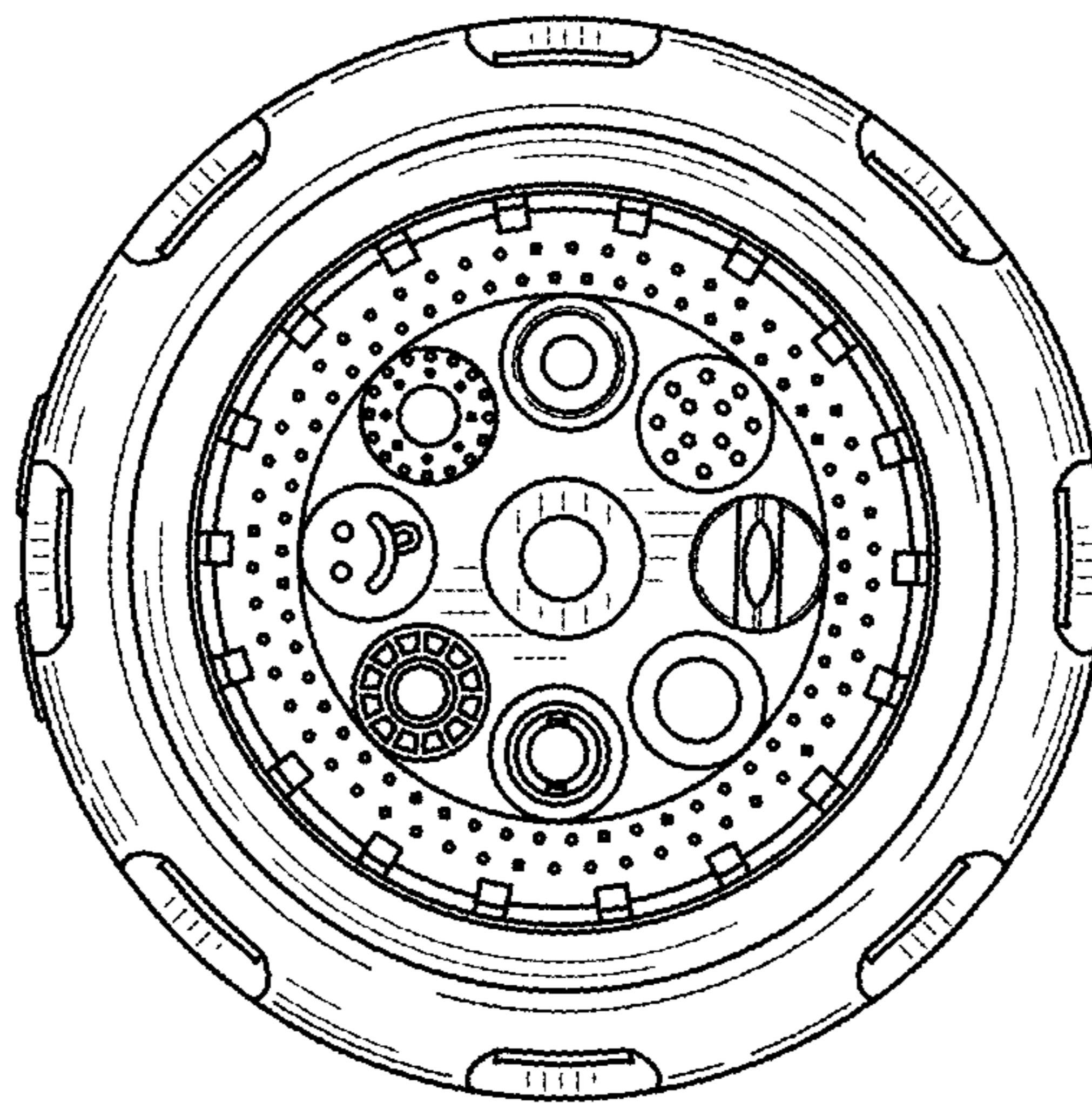


FIG. 2

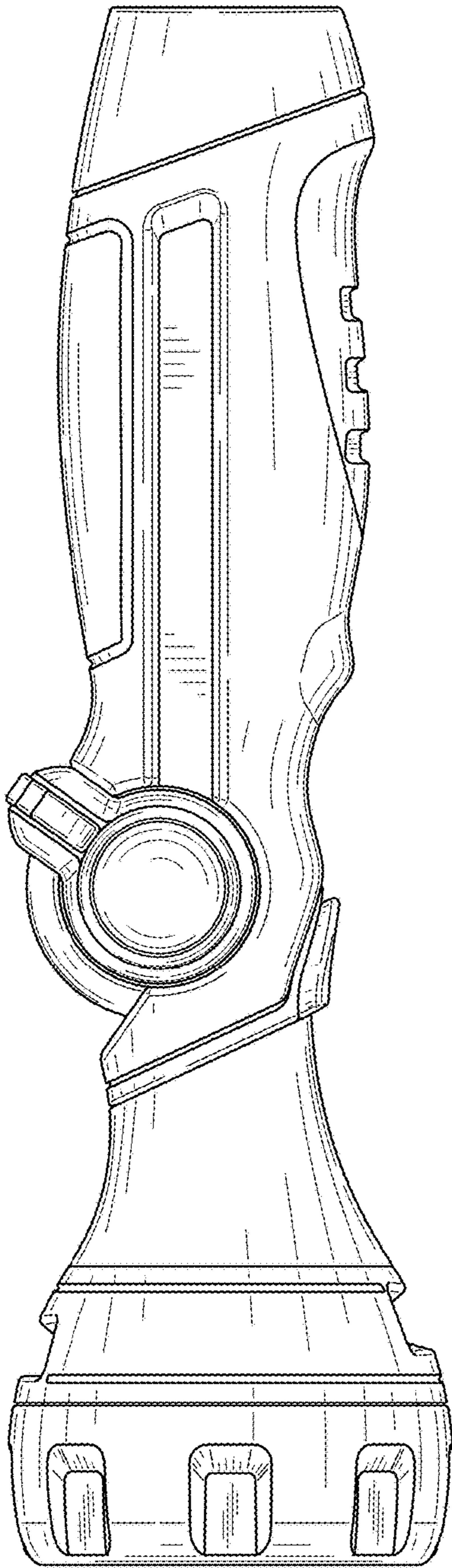


FIG. 4

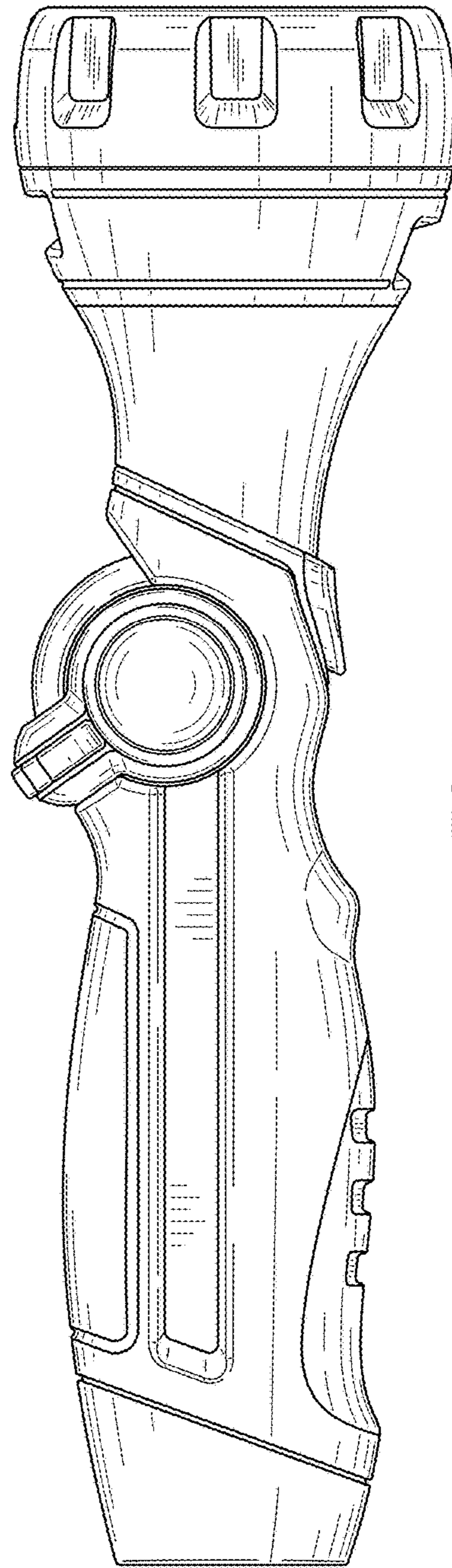


FIG. 5

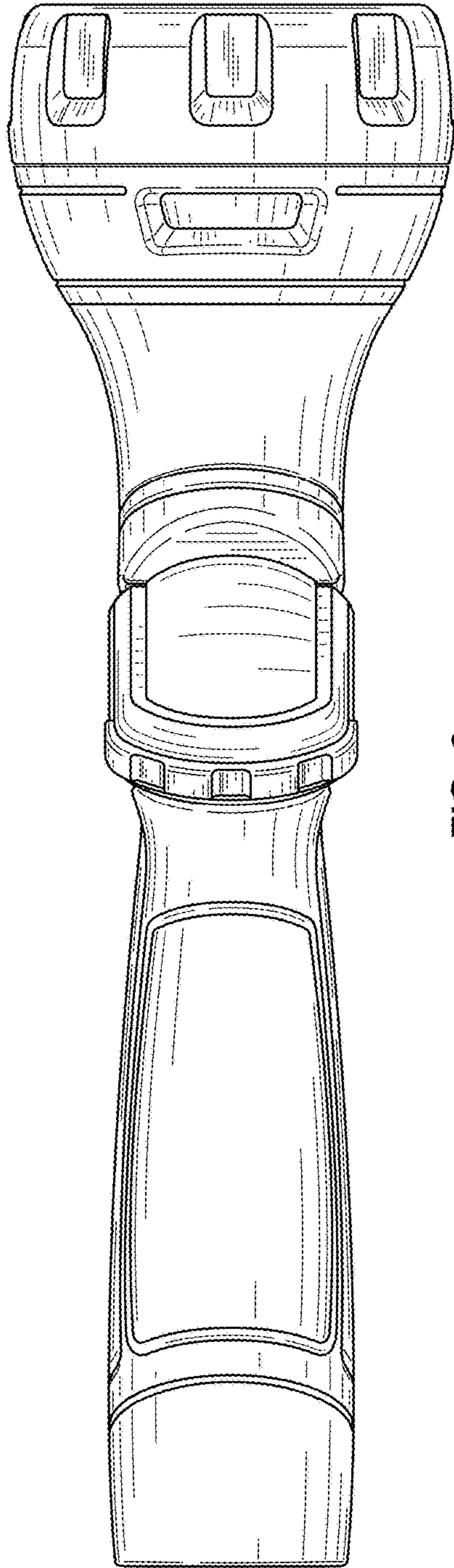


FIG. 6

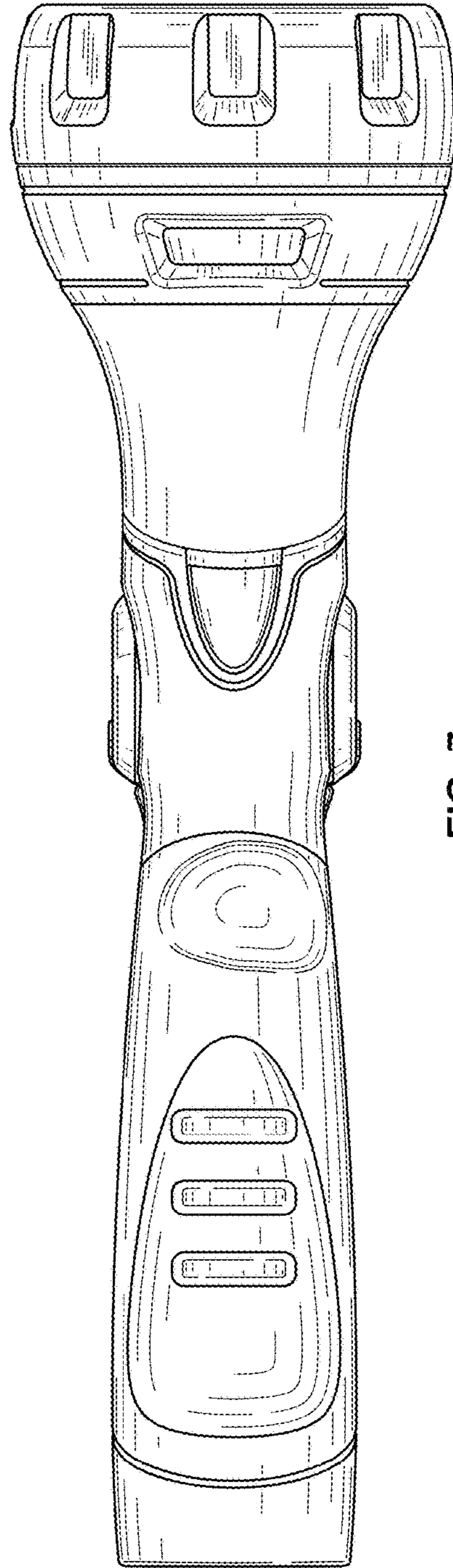


FIG. 7

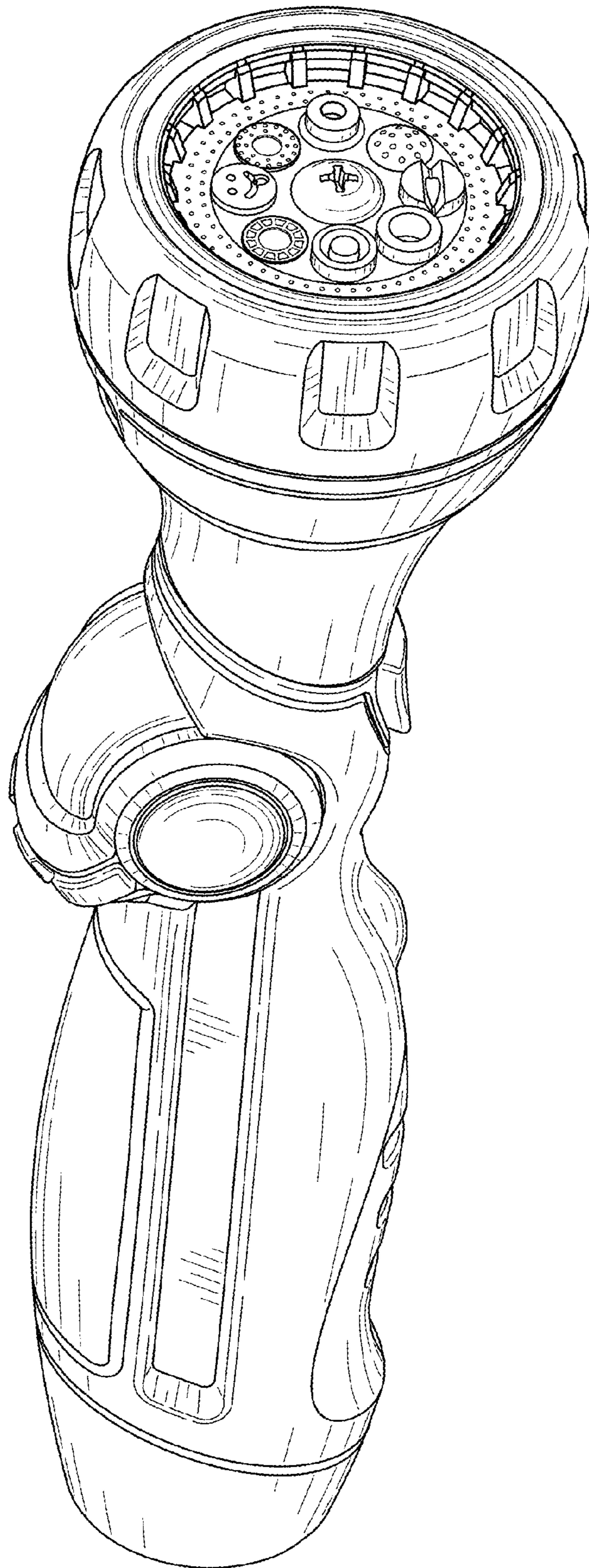


FIG. 8