



US00D839383S

(12) **United States Design Patent** (10) **Patent No.:** **US D839,383 S**
York (45) **Date of Patent:** **** Jan. 29, 2019**

- (54) **DOOR KNOB SANITIZER**
- (71) Applicant: **Darren York**, Old Bridge, NJ (US)
- (72) Inventor: **Darren York**, Old Bridge, NJ (US)
- (**) Term: **15 Years**
- (21) Appl. No.: **29/664,776**
- (22) Filed: **Sep. 27, 2018**

D518,354 S 4/2006 Veltz
 7,175,807 B1 2/2007 Jones
 7,530,503 B2 5/2009 Caserta
 (Continued)

FOREIGN PATENT DOCUMENTS

FR 2922932 10/2007
 JP 2002383231 10/2003

Primary Examiner — Mark A Goodwin
 (74) *Attorney, Agent, or Firm* — Walter J. Tencza, Jr.

(57) **CLAIM**

I claim the ornamental design for the door knob sanitizer, as shown and described.

DESCRIPTION

FIG. 1 shows a front, left, and top perspective view of a door knob sanitizer in accordance with the present invention, wherein the door knob sanitizer is shown attached to a door and surrounding a door knob of the door;
 FIG. 2 shows a front, left, and top perspective view of the door knob sanitizer of FIG. 1;
 FIG. 3 shows a front elevational view of the door knob sanitizer of FIG. 1;
 FIG. 4 shows a rear elevational view of the door knob sanitizer of FIG. 1;
 FIG. 5 shows a left side elevational view of the door knob sanitizer of FIG. 1;
 FIG. 6 shows a right side elevational view of the door knob sanitizer of FIG. 1;
 FIG. 7 shows a top plan view of the door knob sanitizer of FIG. 1; and,
 FIG. 8 shows a bottom plan view of the door knob sanitizer of FIG. 1.
 The broken line showing of a door handle, door, and wall portion is included for the purpose of illustrating environmental structure only and forms no part of the claimed design.

Related U.S. Application Data

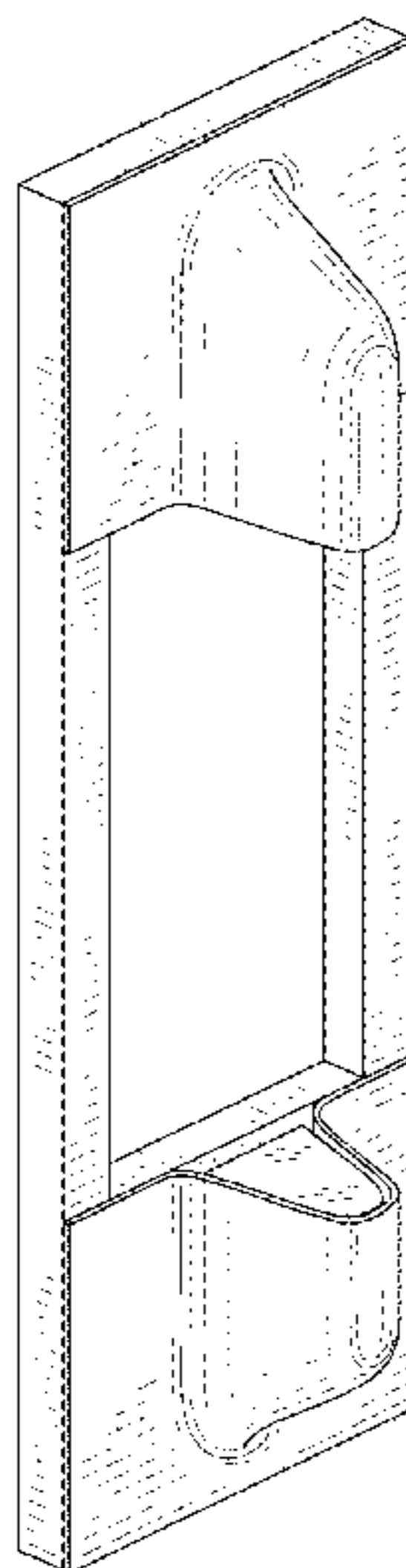
- (60) Continuation-in-part of application No. 15/487,490, filed on Apr. 14, 2017, which is a division of application No. 15/341,400, filed on Nov. 2, 2016, now Pat. No. 9,649,398.
- (51) **LOC (11) Cl.** **23-01**
- (52) **U.S. Cl.**
USPC **D23/208; D8/353**
- (58) **Field of Classification Search**
USPC D23/208, 366, 368; D8/321, 301, 350, D8/353; 422/24, 28, 292
CPC E05B 1/0069; A61L 2/10; A61L 2/24
See application file for complete search history.

(56) **References Cited**

U.S. PATENT DOCUMENTS

1,124,819 A	1/1915	Sikorski	
2,529,234 A	3/1947	Swanson	
2,661,417 A	12/1953	Blackburn	
3,314,746 A	4/1967	Millar	
D271,374 S *	11/1983	Butts D8/353
4,644,689 A	2/1987	Arians	
4,710,634 A	12/1987	Brookes	
D299,054 S	12/1988	Brun	
6,273,579 B1	8/2001	Holloway	
6,278,366 B1	8/2001	Fletcher et al.	
6,298,521 B1	10/2001	Butterfield	
6,447,139 B1	9/2002	Wilkes	
6,461,013 B1	10/2002	Simon	

1 Claim, 8 Drawing Sheets



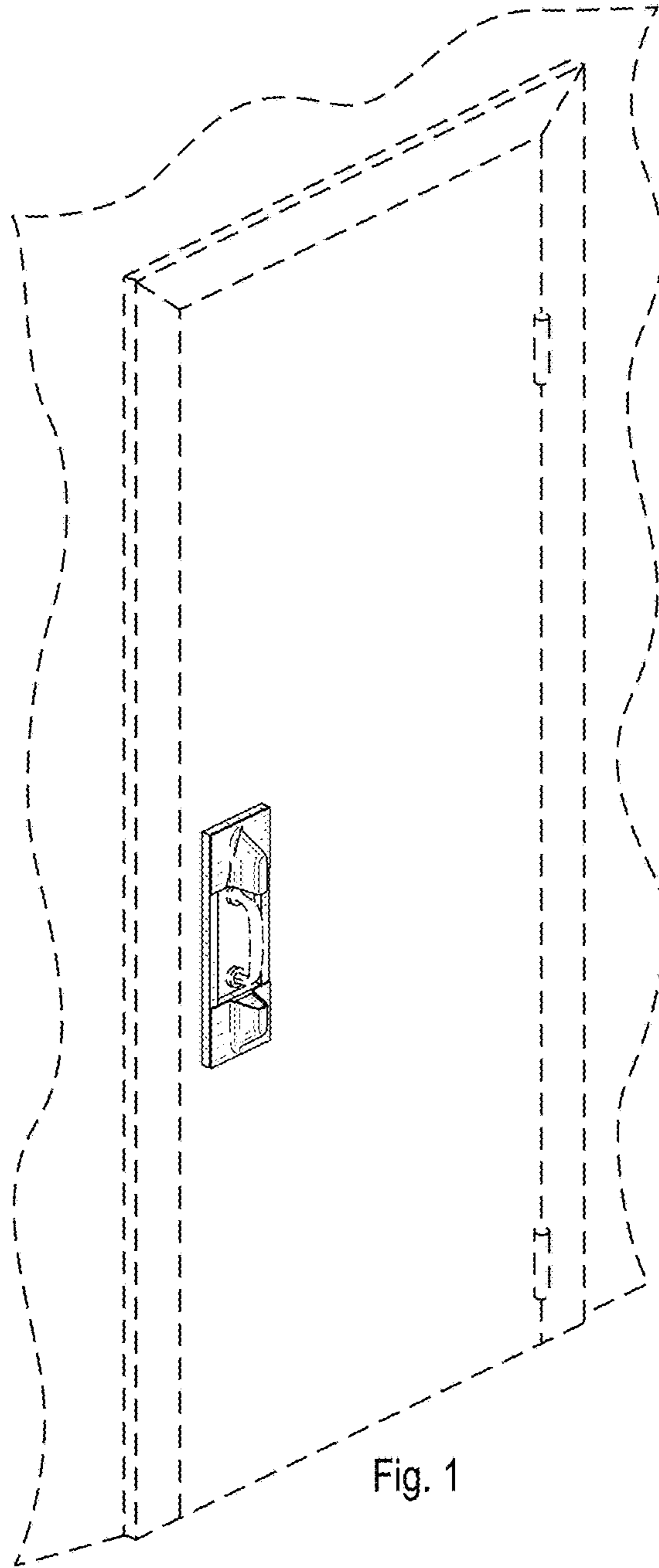
(56)

References Cited

U.S. PATENT DOCUMENTS

7,989,779	B1	8/2011	Ray	
D670,552	S	11/2012	Meeks	
D675,083	S	1/2013	Clark	
D678,748	S	3/2013	Meeks	
8,777,064	B2 *	7/2014	Williams A61L 2/18 16/412
D737,661	S	9/2015	Chan	
9,175,498	B2	11/2015	Winslow	
D772,375	S	11/2016	Bruining	
9,649,395	B2	5/2017	Zajdowicz	
9,649,398	B1	5/2017	York	
D803,027	S	11/2017	Huang	
9,896,865	B2	2/2018	Samaras	
D823,430	S *	7/2018	York D23/208
2004/0008508	A1	1/2004	Alvarez	
2006/0153733	A1	7/2006	Sassoon	
2006/0175843	A1	8/2006	Campopiano et al.	
2010/0140499	A1	6/2010	Casale	
2011/0174992	A1	7/2011	Sakita	
2012/0305804	A1	12/2012	Goldman	
2014/0048724	A1	2/2014	Marshall	
2014/0137369	A1	5/2014	Street	
2016/0263263	A1	9/2016	Robert	

* cited by examiner



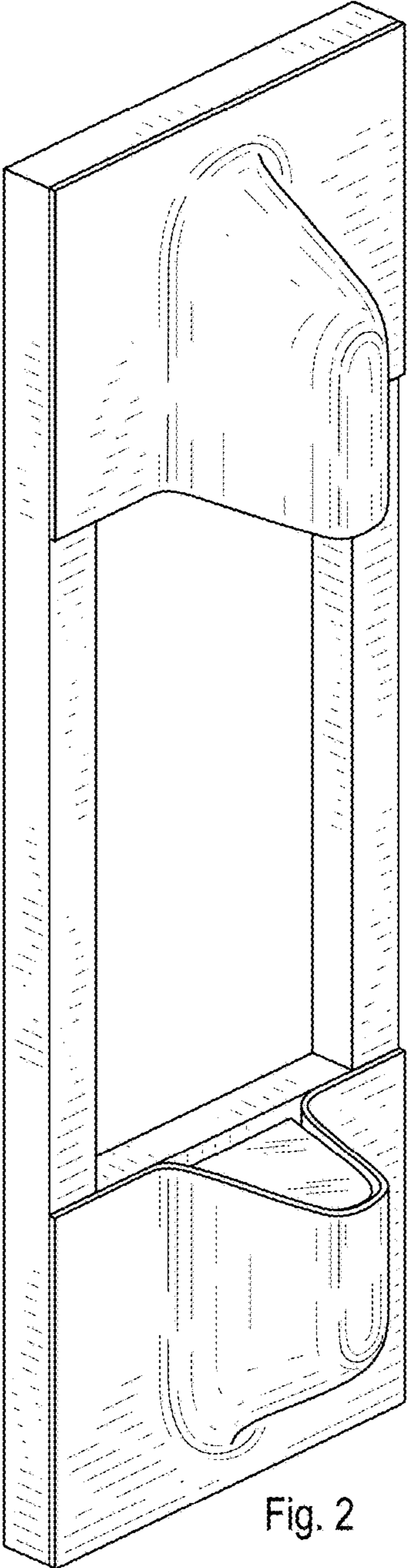


Fig. 2

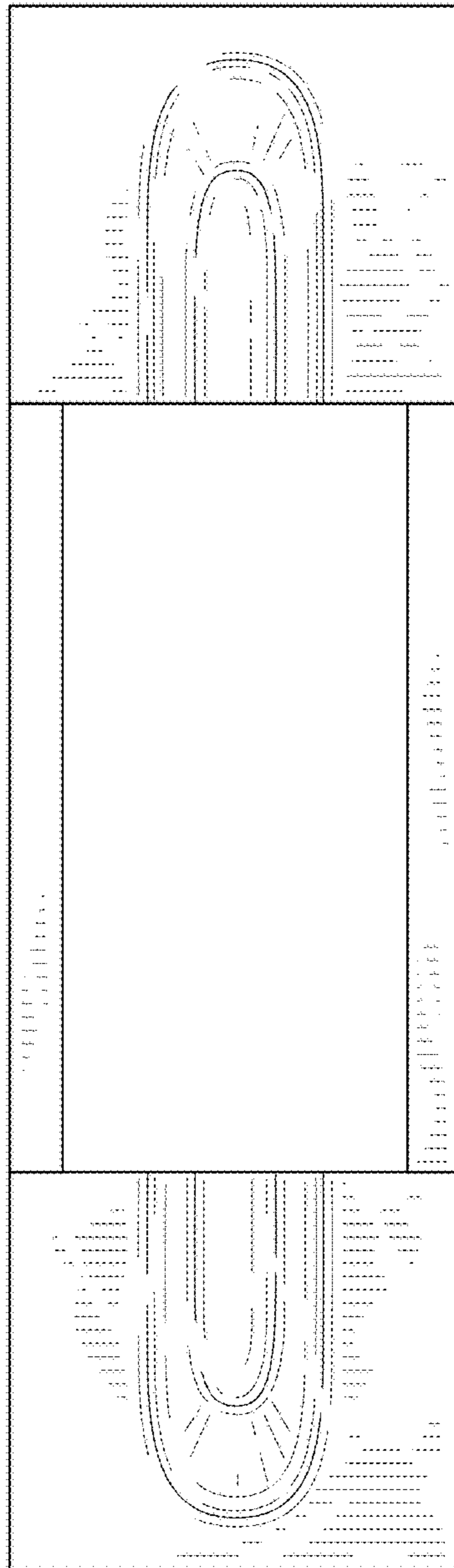


Fig. 3

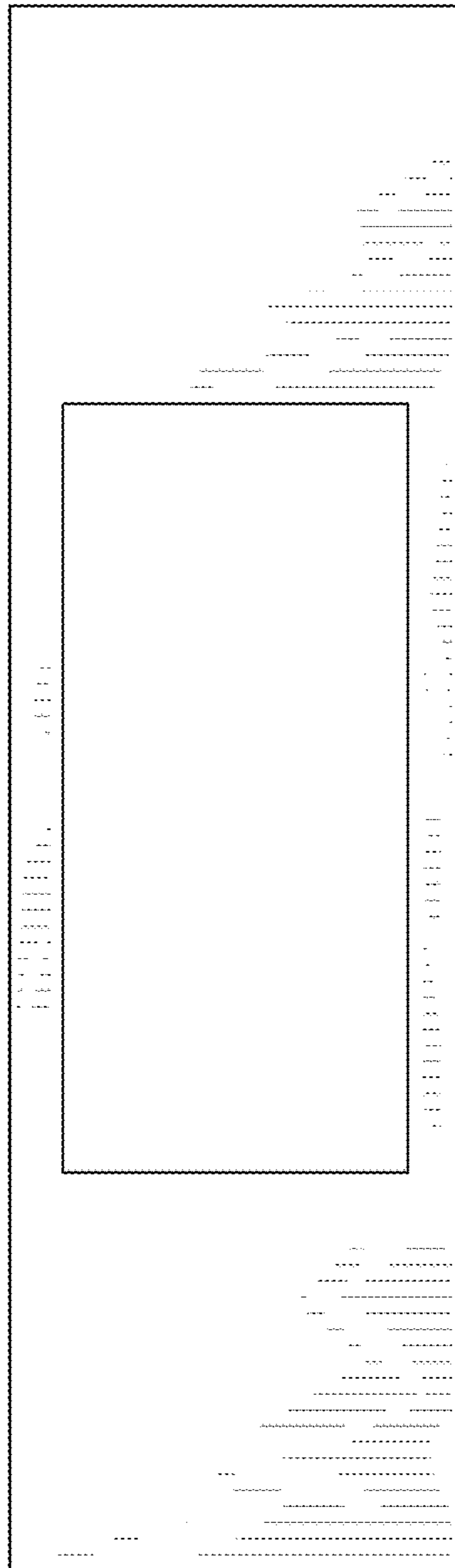


Fig. 4

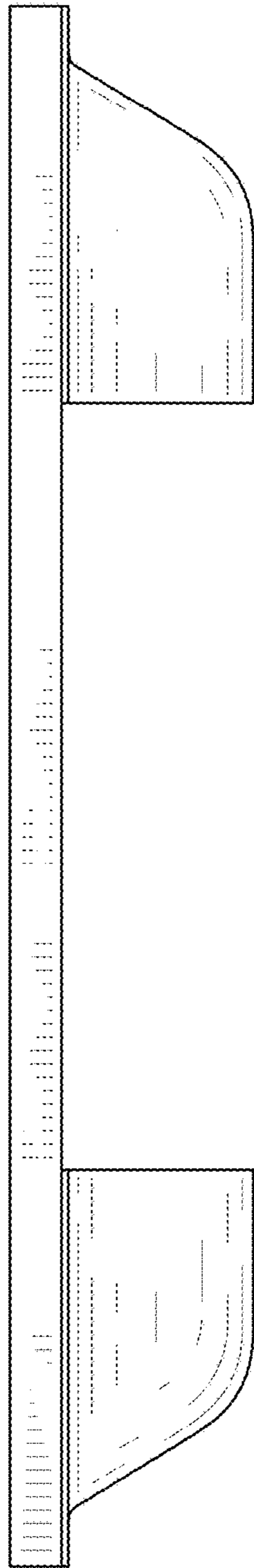


Fig. 5

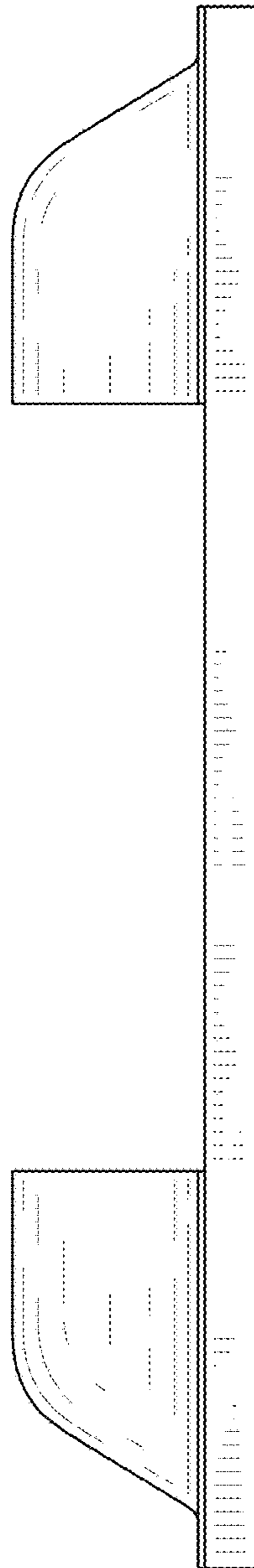


Fig. 6

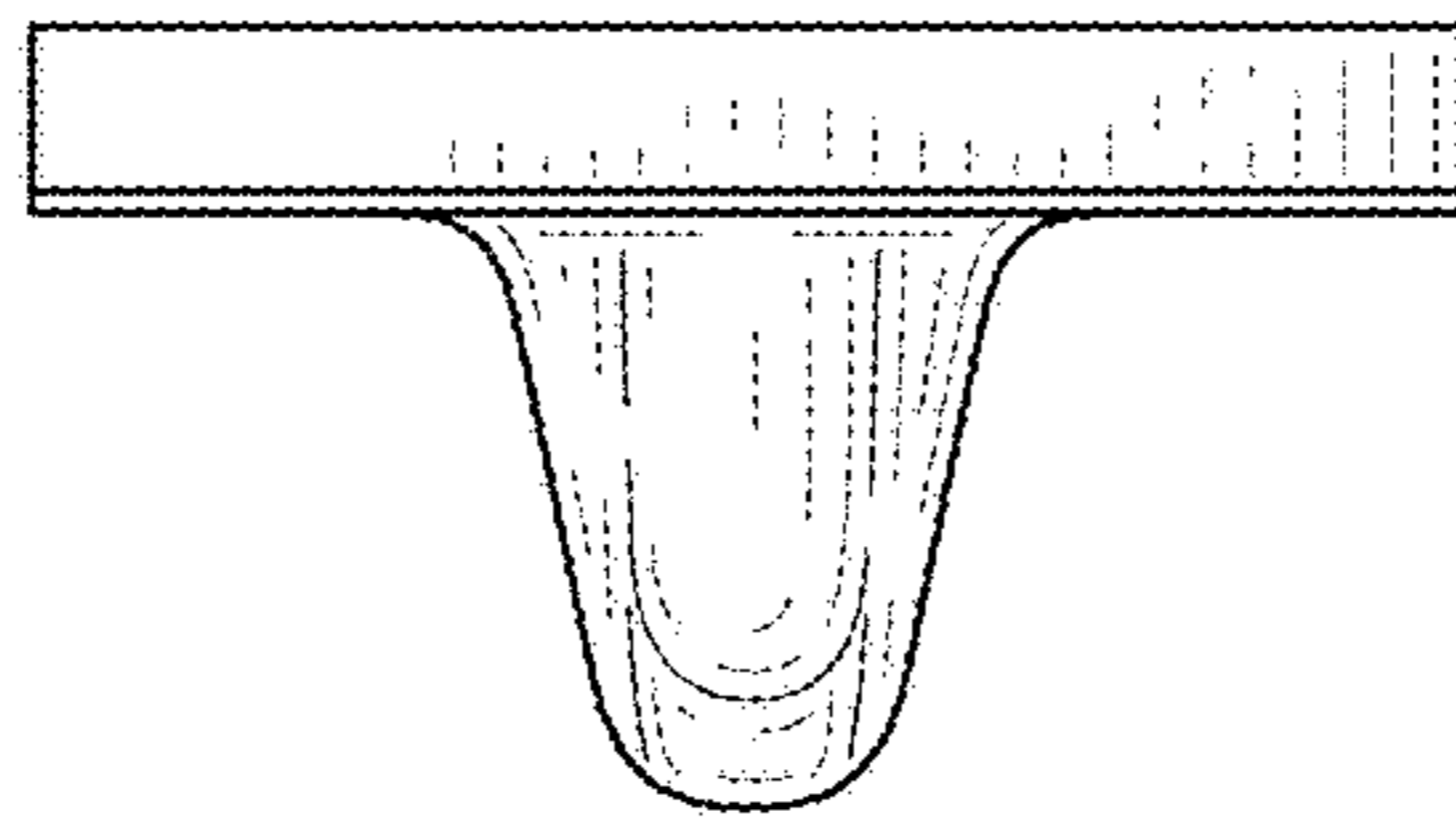


Fig. 7

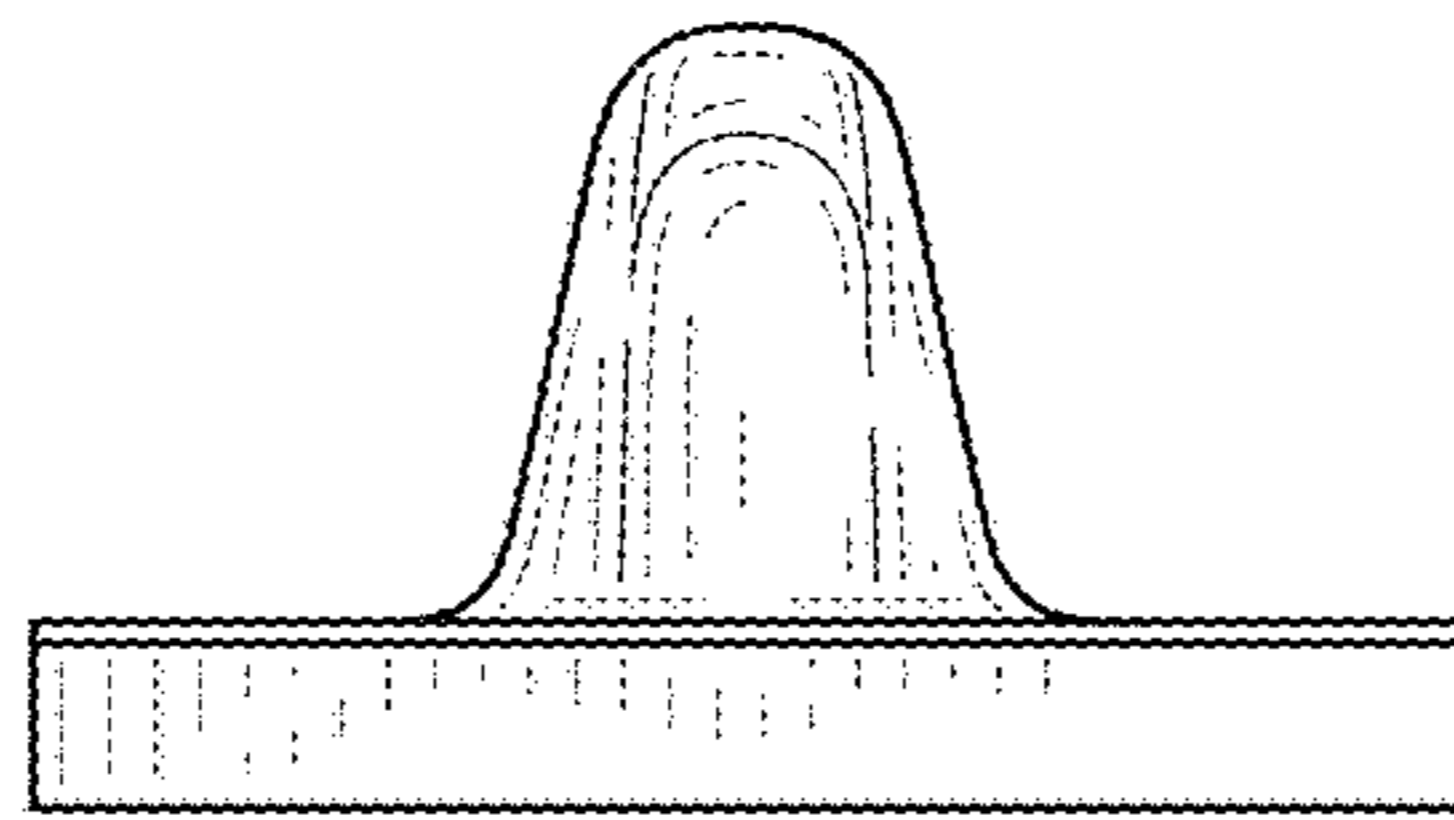


Fig. 8