



US00D839382S

(12) **United States Design Patent** (10) **Patent No.:** **US D839,382 S**  
**Furbush, Jr.** (45) **Date of Patent:** **\*\* Jan. 29, 2019**

(54) **ORGANIZATIONAL APPARATUS**  
(71) Applicant: **Norman C. Furbush, Jr.**, Elm City, NC (US)  
(72) Inventor: **Norman C. Furbush, Jr.**, Elm City, NC (US)  
(\*\*) Term: **15 Years**  
(21) Appl. No.: **29/598,646**  
(22) Filed: **Mar. 28, 2017**  
(51) **LOC (11) Cl.** ..... **22-05**  
(52) **U.S. Cl.**  
USPC ..... **D22/143**  
(58) **Field of Classification Search**  
USPC ..... D22/134-150; 43/42.49, 42.74, 43.12, 43/44.84, 44.92; 24/131 C, 373, 601.1, 24/601.3, 601.8  
CPC ..... A01K 91/04; A01K 91/053; F16B 2/248  
See application file for complete search history.

(56) **References Cited**  
U.S. PATENT DOCUMENTS  
3,122,803 A \* 3/1964 Boggess ..... A01K 91/04 24/373  
3,277,549 A \* 10/1966 Bradshaw ..... A01K 91/04 24/601.1  
4,004,328 A \* 1/1977 Bohn ..... A01K 91/04 24/601.3  
4,234,998 A \* 11/1980 McMickle ..... F16B 2/248 24/601.3  
5,781,972 A \* 7/1998 Steed ..... A01K 91/04 24/131 C  
D430,261 S \* 8/2000 Yong-Set ..... D22/134  
D536,763 S \* 2/2007 Friedrichs ..... D22/134

D659,385 S \* 5/2012 Campbell ..... D22/134  
D760,343 S \* 6/2016 Kim ..... D22/134

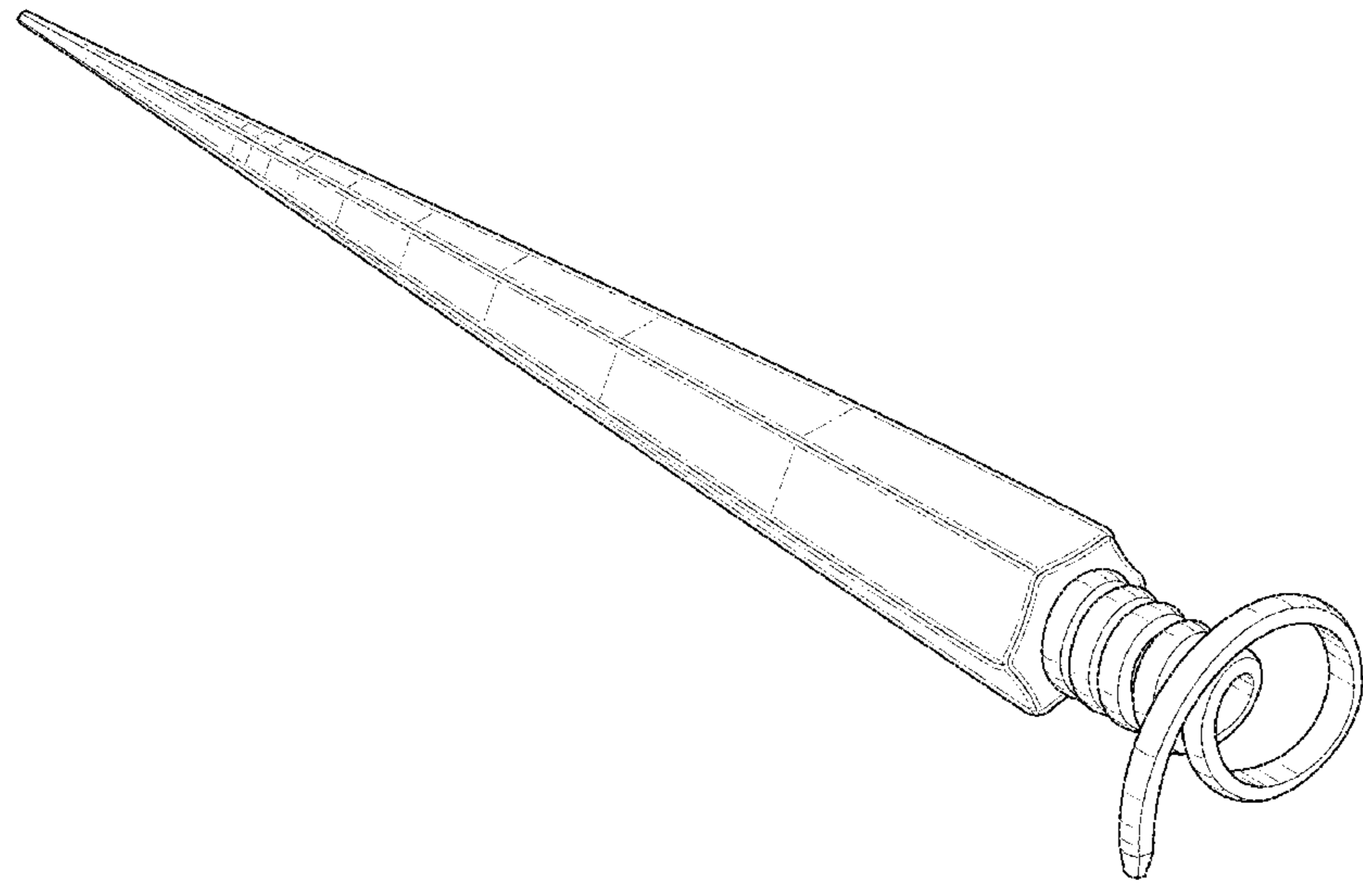
\* cited by examiner  
*Primary Examiner* — Catherine R Oliver-Garcia  
(74) *Attorney, Agent, or Firm* — Aspire IP, LLC; Scott J. Hawranek

(57) **CLAIM**  
I claim the ornamental design for an organizational apparatus, substantially as shown and described.

**DESCRIPTION**  
FIG. 1 is a perspective view of an organizational apparatus in accordance with an embodiment of a present design; FIG. 2 is a right side elevation view thereof; FIG. 3 is a top plan view thereof; FIG. 4 is a left side elevation view thereof; FIG. 5 is a bottom plan view thereof; FIG. 6 is a front elevation view thereof; FIG. 7 is a rear elevation view thereof; FIG. 8 is a perspective view of an organizational apparatus in accordance with another embodiment of a present design; FIG. 9 is a right side elevation view thereof; FIG. 10 is a top plan view thereof; FIG. 11 is a left side elevation view thereof; FIG. 12 is a bottom plan view thereof; FIG. 13 is a front elevation view thereof; and, FIG. 14 is a rear elevation view thereof.

The features shown in broken or dashed lines in the drawings of each embodiment are included for the purpose of illustrating use and environment and form no part of the claimed design.  
As indicated in the title, the article of manufacture to which the ornamental design has been applied is an organizational apparatus, a line management device, or a fishing line management device.

**1 Claim, 8 Drawing Sheets**



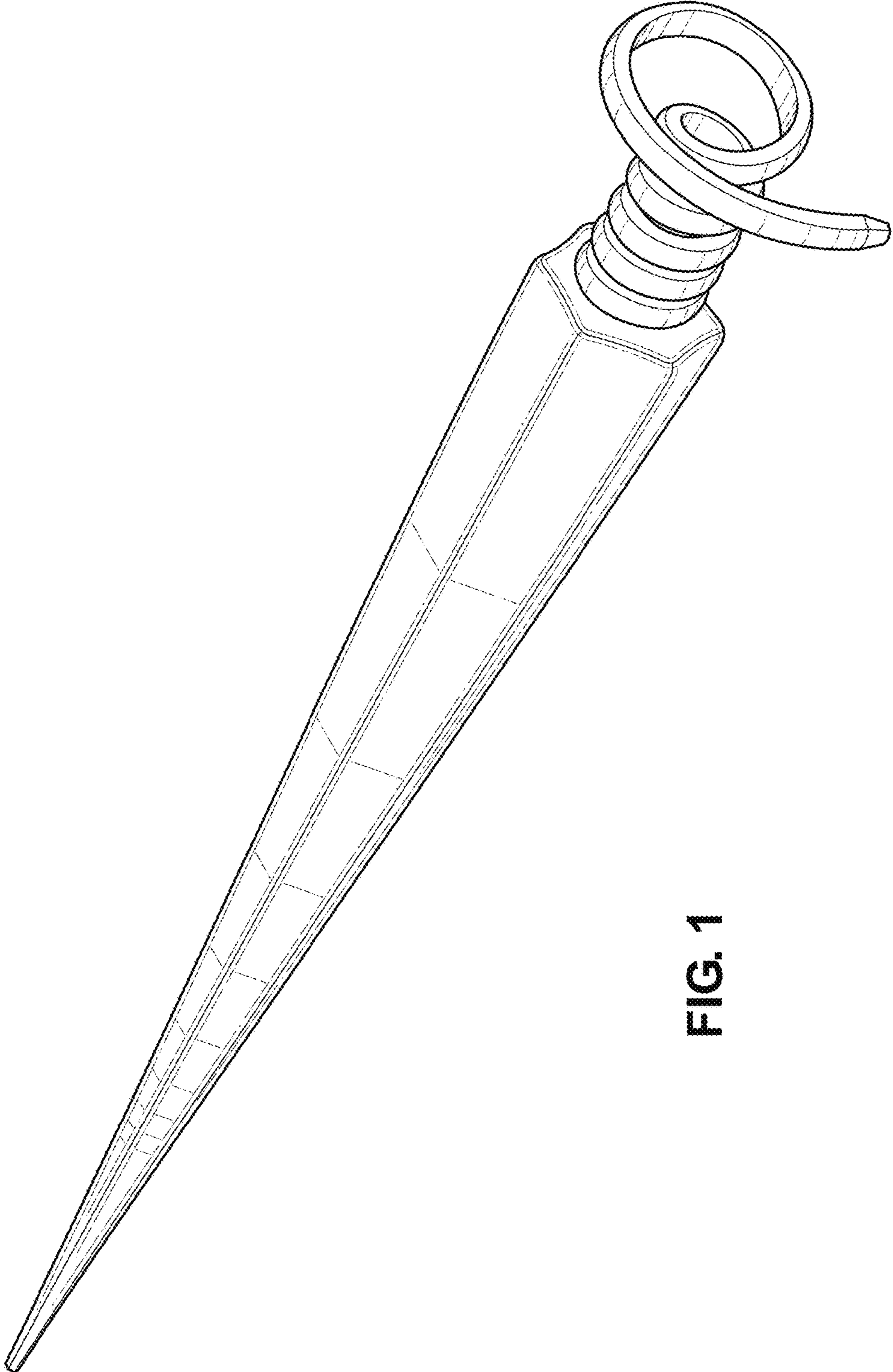


FIG. 1

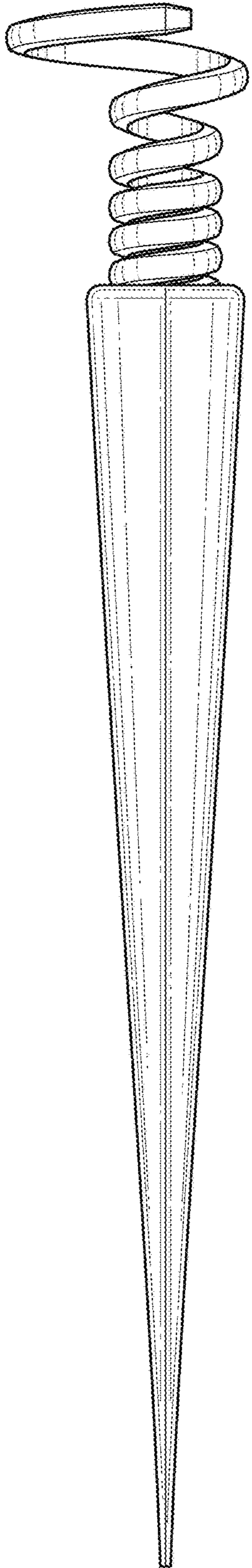


FIG. 2

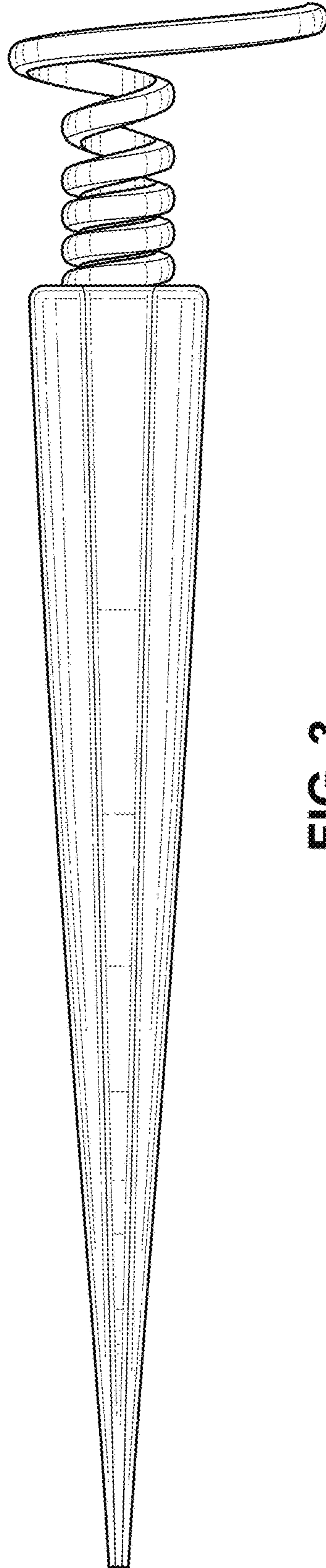


FIG. 3

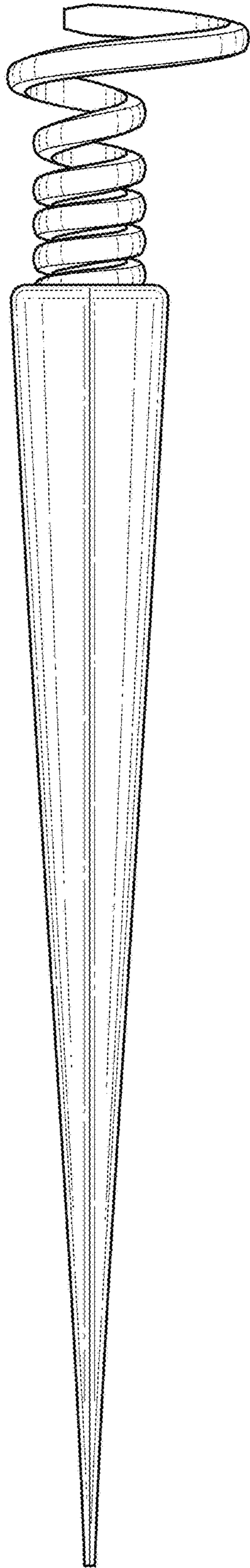


FIG. 4

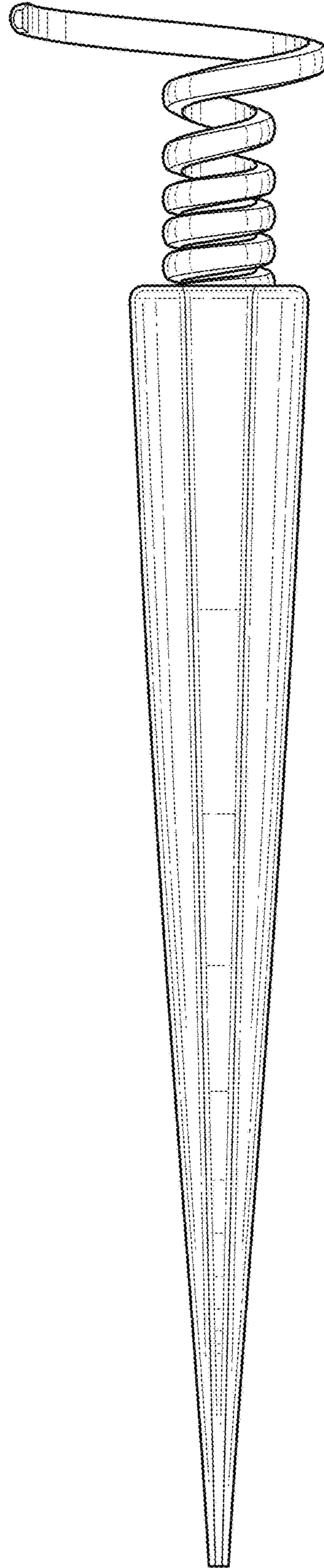


FIG. 5

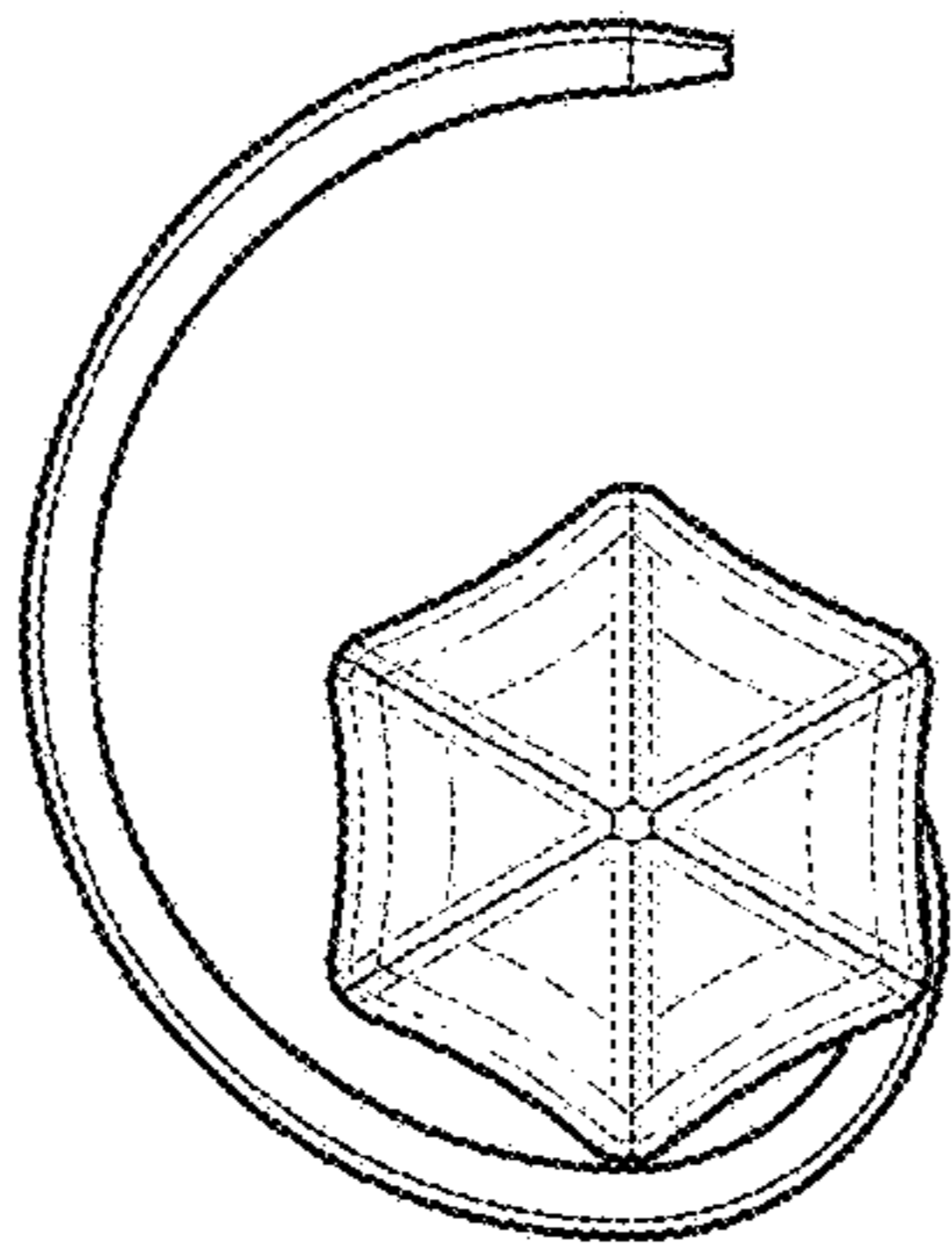


FIG. 7

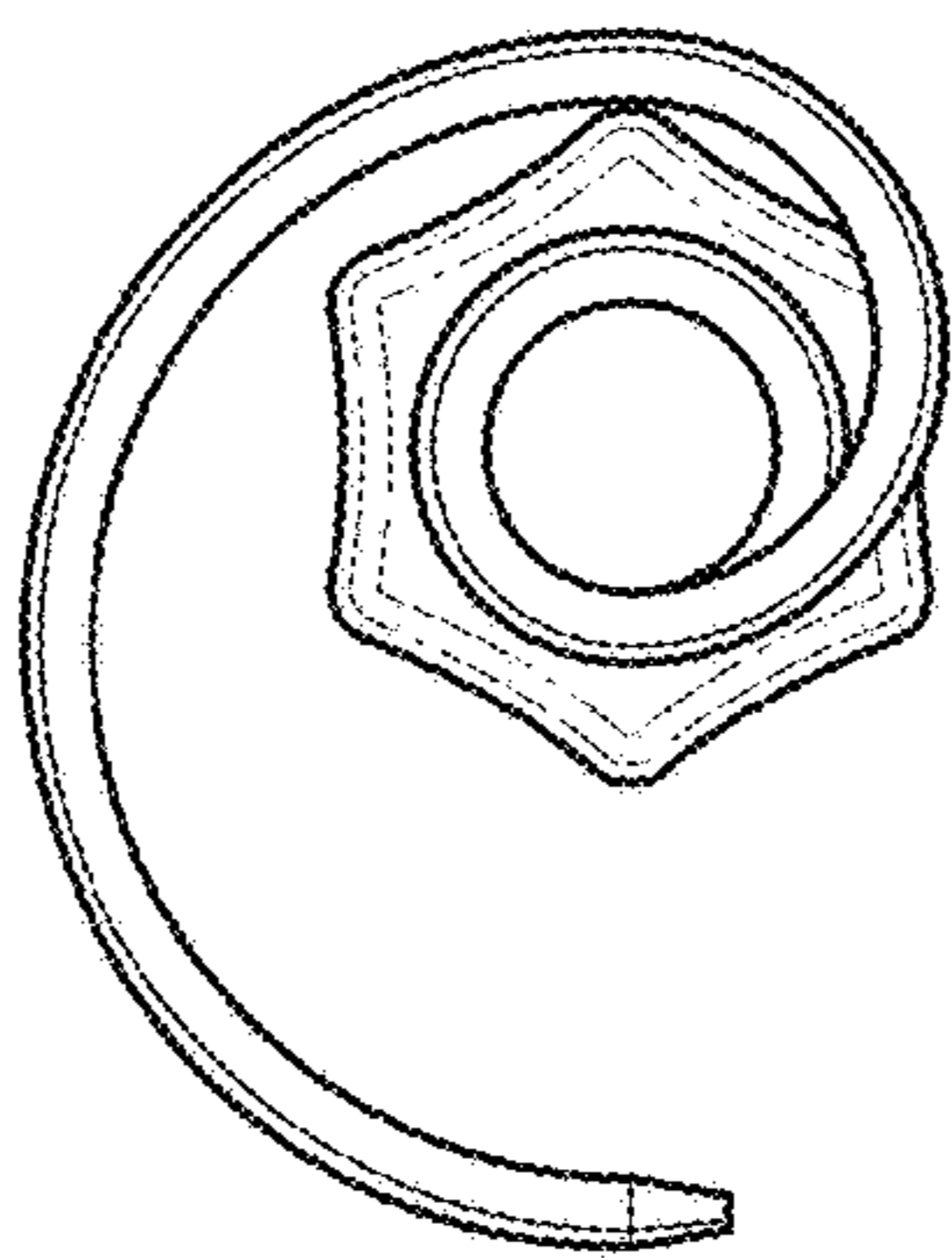


FIG. 6

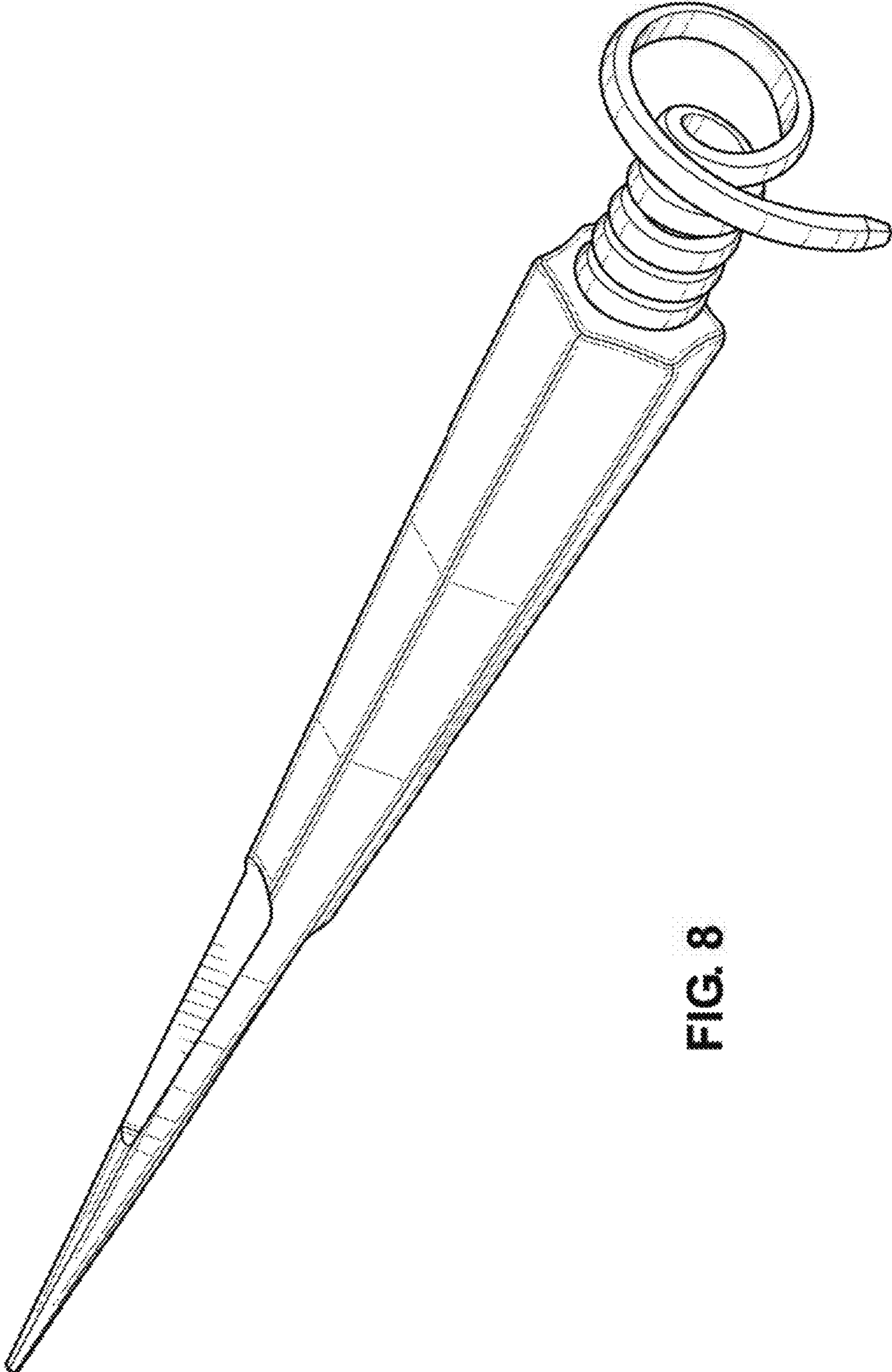


FIG. 8

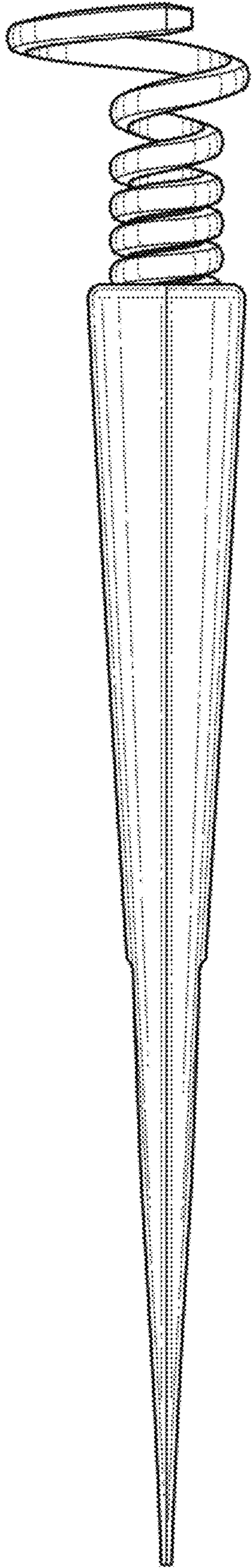


FIG. 9

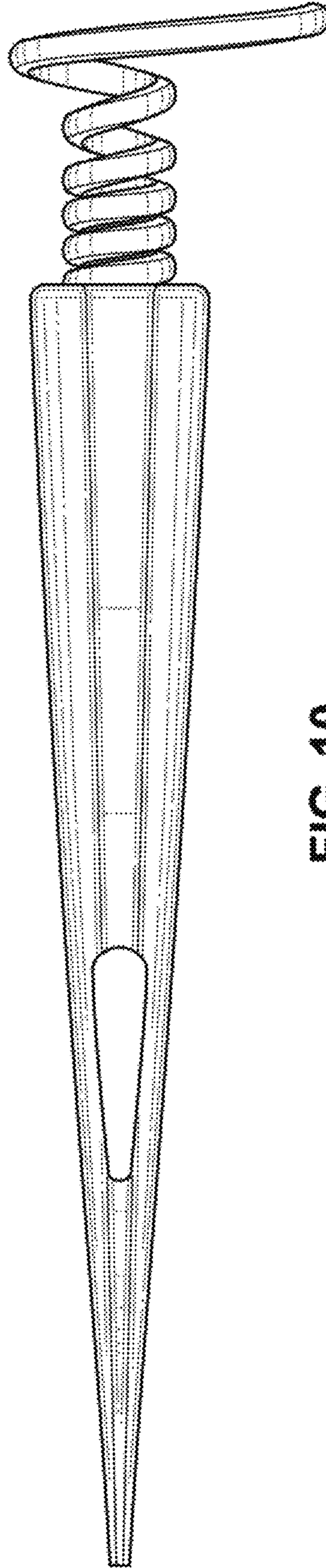


FIG. 10

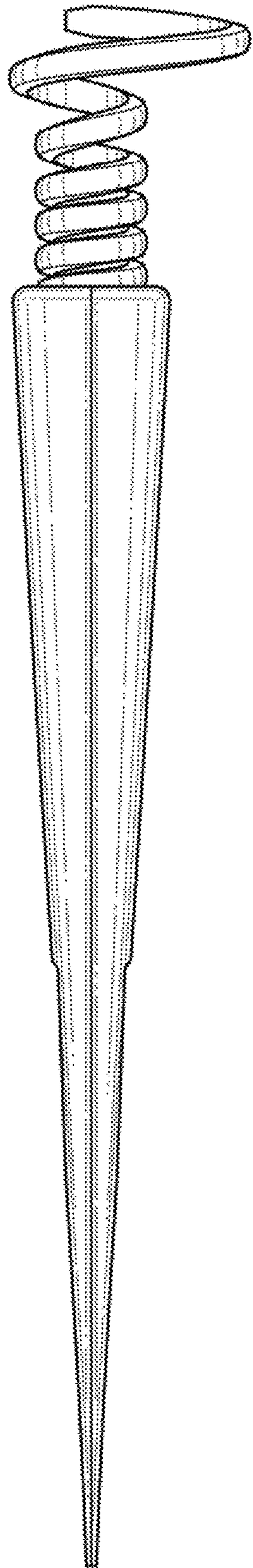


FIG. 11

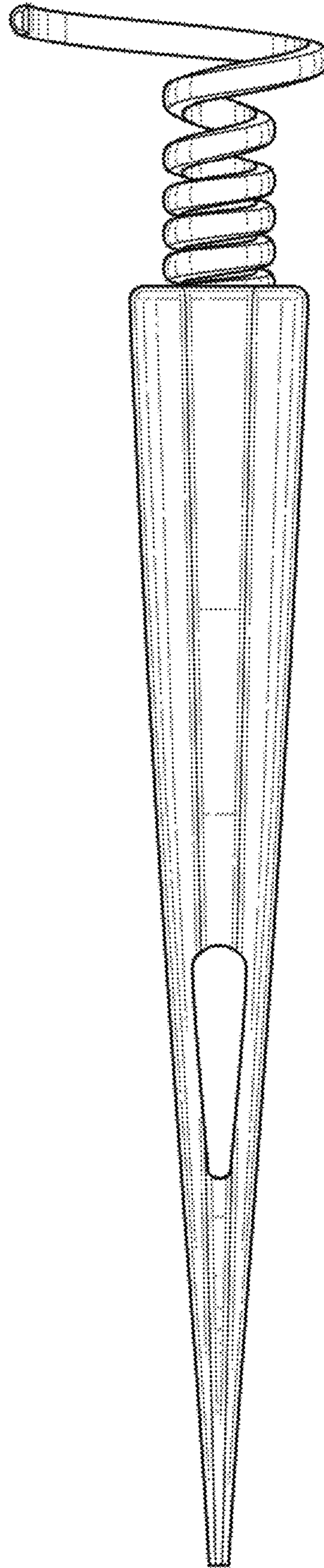


FIG. 12



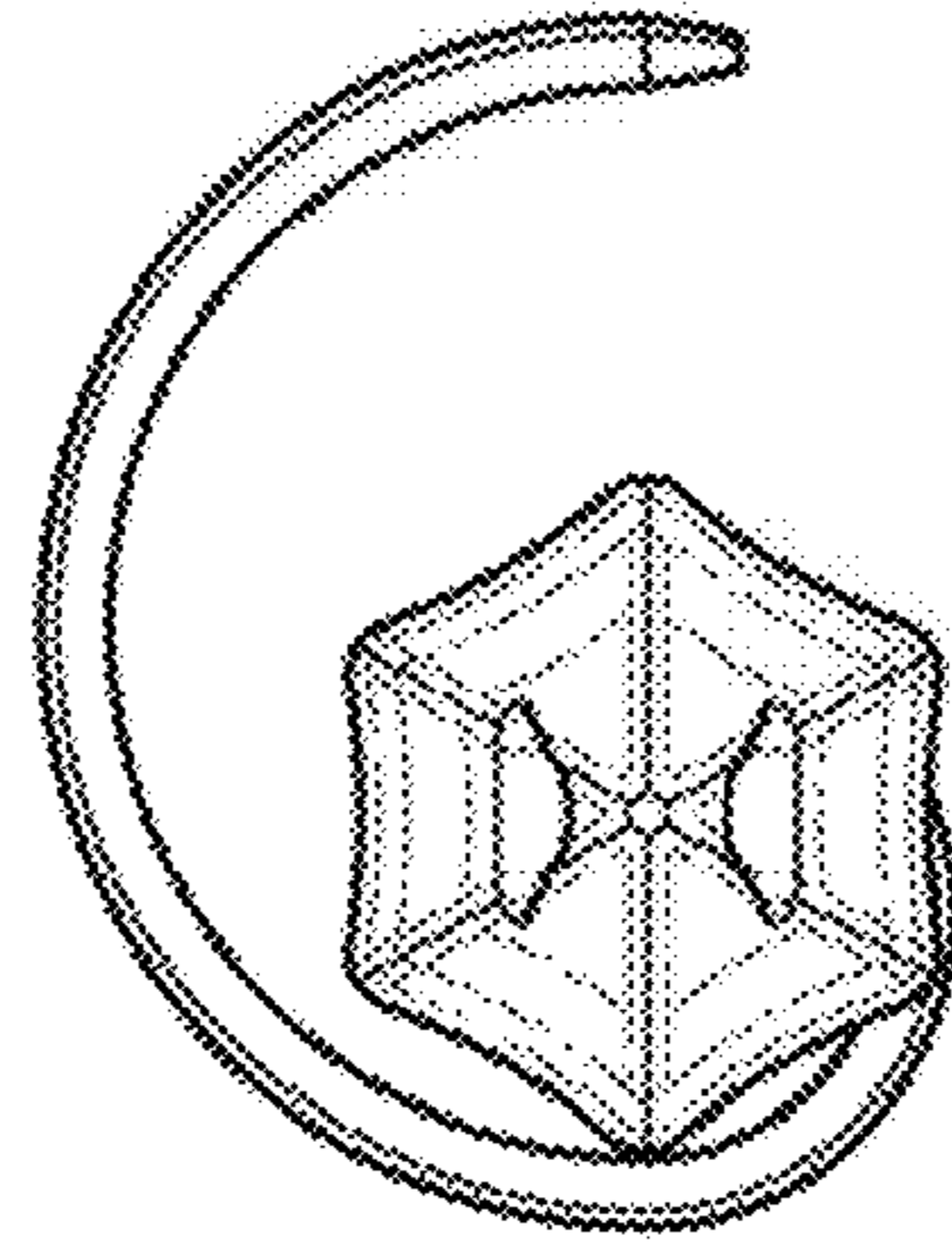


FIG. 13

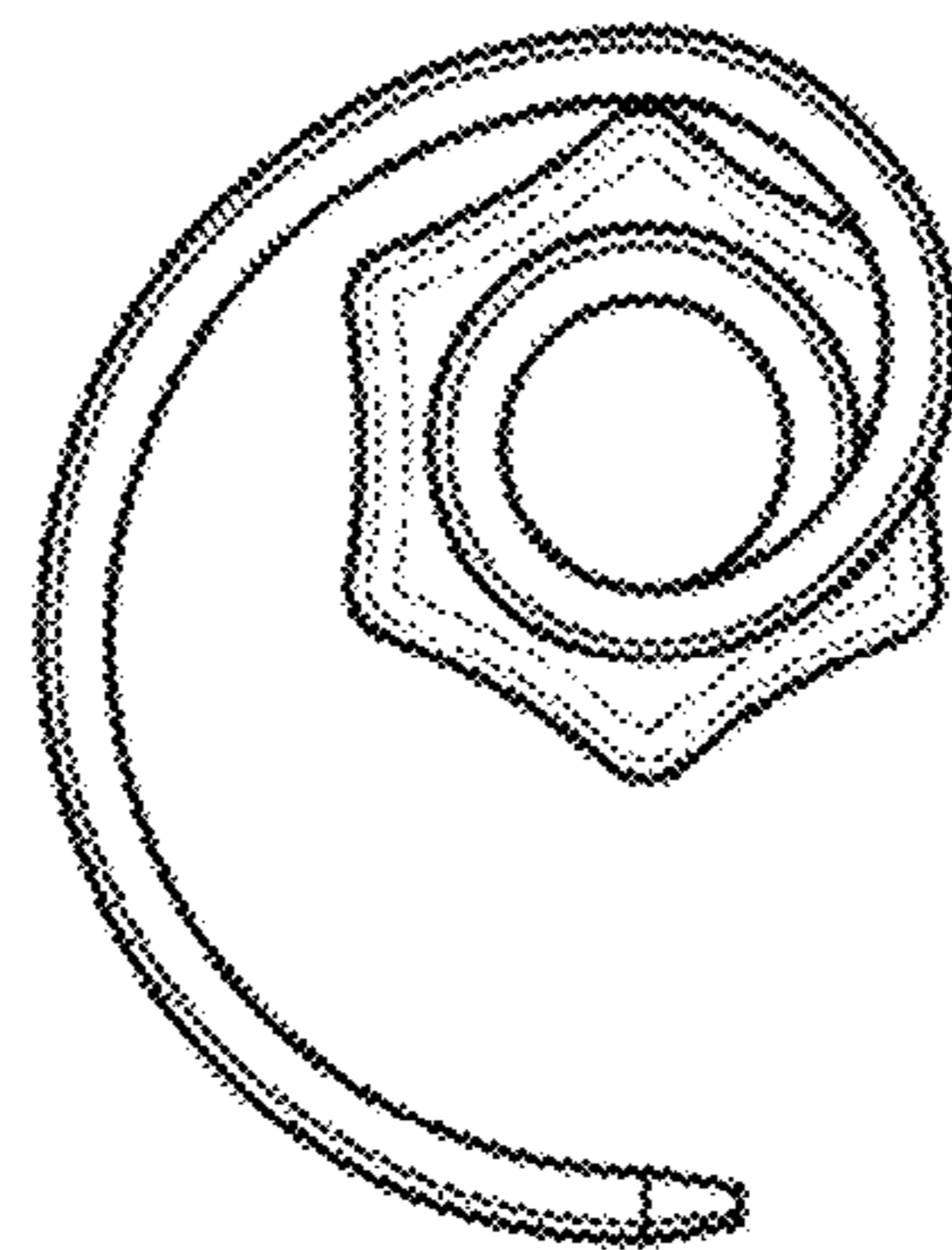


FIG. 14