



US00D839380S

(12) **United States Design Patent**
Holland et al.

(10) **Patent No.:** **US D839,380 S**
(45) **Date of Patent:** **** Jan. 29, 2019**

- (54) **BAIT STATION**
- (71) Applicant: **Neogen Corporation**, Lansing, MI (US)
- (72) Inventors: **James B. Holland**, Clinton, NC (US);
Michael Benton, Hampstead, NC (US);
Mitchell Rivenbark, Clinton, NC (US)
- (73) Assignee: **NEOGEN CORPORATION**, Lansing, MI (US)
- (**) Term: **15 Years**
- (21) Appl. No.: **29/614,300**
- (22) Filed: **Aug. 17, 2017**
- (51) **LOC (11) Cl.** **22-06**
- (52) **U.S. Cl.**
USPC **D22/122**
- (58) **Field of Classification Search**
USPC D22/119–124; 43/107, 112–114, 121,
43/131, 132.1
CPC .. A01M 1/026; A01M 1/2011; A01M 1/2016;
A01M 2200/011; A01M 1/2005; A01M
25/004
See application file for complete search history.

D515,175	S *	2/2006	Mayo	D22/122
7,051,473	B2	5/2006	Hoppe		
D539,867	S *	4/2007	Mediate	D22/122
8,061,238	B2	11/2011	Cink et al.		
D682,981	S *	5/2013	Bernard	D22/122
D686,689	S *	7/2013	Bernard	D22/122
9,125,393	B2	9/2015	Firth		
2014/0291474	A1	10/2014	Wilson et al.		

FOREIGN PATENT DOCUMENTS

AU	2007100803	A4	9/2007
AU	2016100772	A4	7/2016
DE	102012013138	A1	1/2014
FR	2901455	B1	1/2013
GB	2096446	A	10/1982
WO	2013000039	A1	3/2013

* cited by examiner

Primary Examiner — Catherine R Oliver-Garcia
(74) *Attorney, Agent, or Firm* — Honigman Miller Schwartz and Cohn LLP; Douglas H. Siegel; Jonathan P. O'Brien

(57) **CLAIM**

The ornamental design for a bait station, as shown and described herein.

(56) **References Cited**

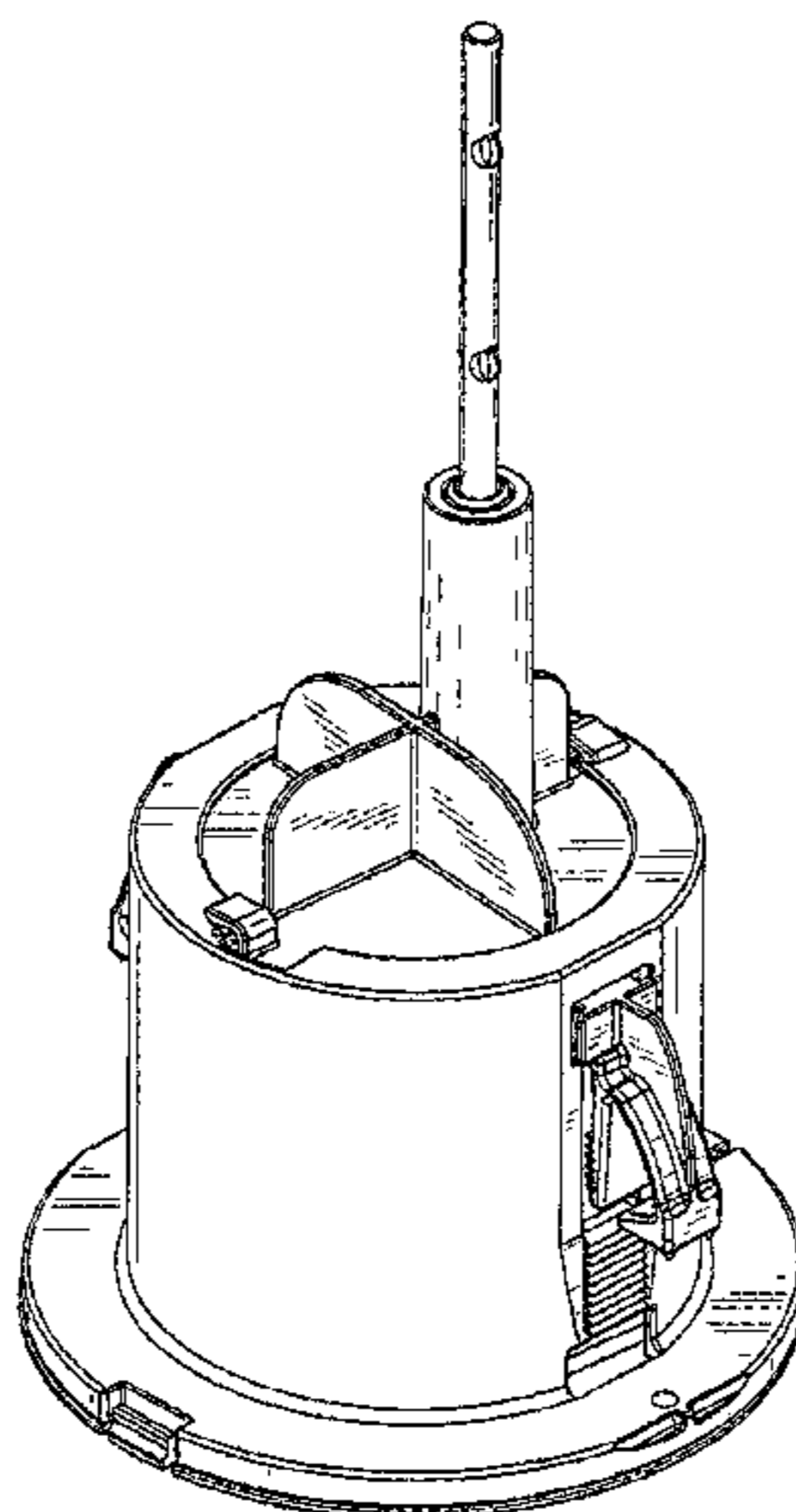
U.S. PATENT DOCUMENTS

5,235,779	A	8/1993	Saleman	
5,246,675	A	9/1993	Castronovo	
5,329,724	A	7/1994	Saleman	
6,219,960	B1 *	4/2001	Contadini A01M 1/026 43/107
6,370,813	B1 *	4/2002	Nelson A01M 1/2005 43/121
6,594,948	B1 *	7/2003	Novack A01M 1/2016 43/121
6,813,858	B1	11/2004	Wright	

DESCRIPTION

FIG. 1 is a right front top perspective view of the bait station; FIG. 2 is a front elevational view thereof; FIG. 3 is a rear elevational view thereof; FIG. 4 is a right-side elevational view thereof; FIG. 5 is a left-side elevational view thereof; FIG. 6 is a top plan view thereof; and, FIG. 7 is a bottom plan view thereof. The broken lines form no part of the claimed design.

1 Claim, 7 Drawing Sheets



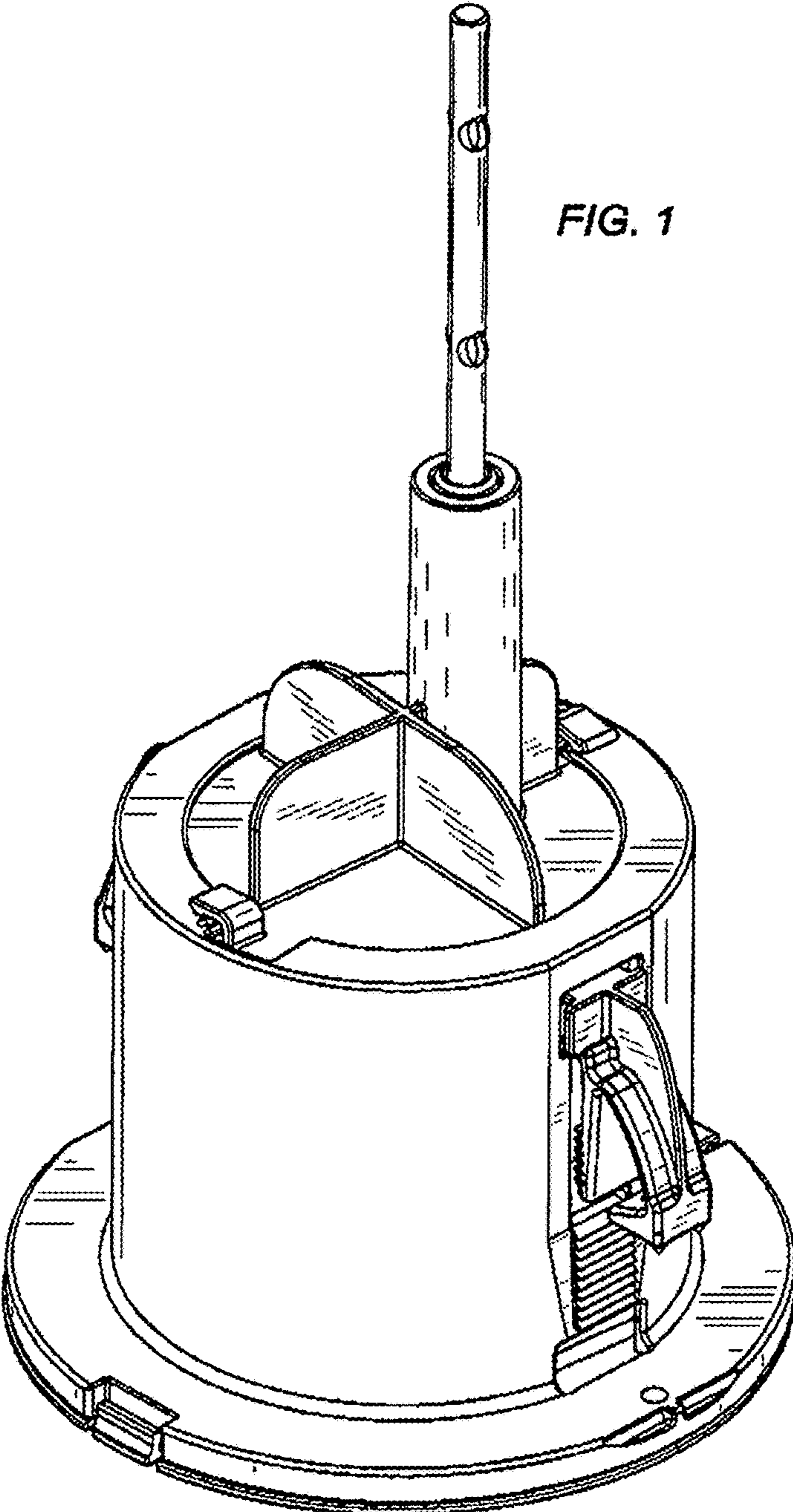
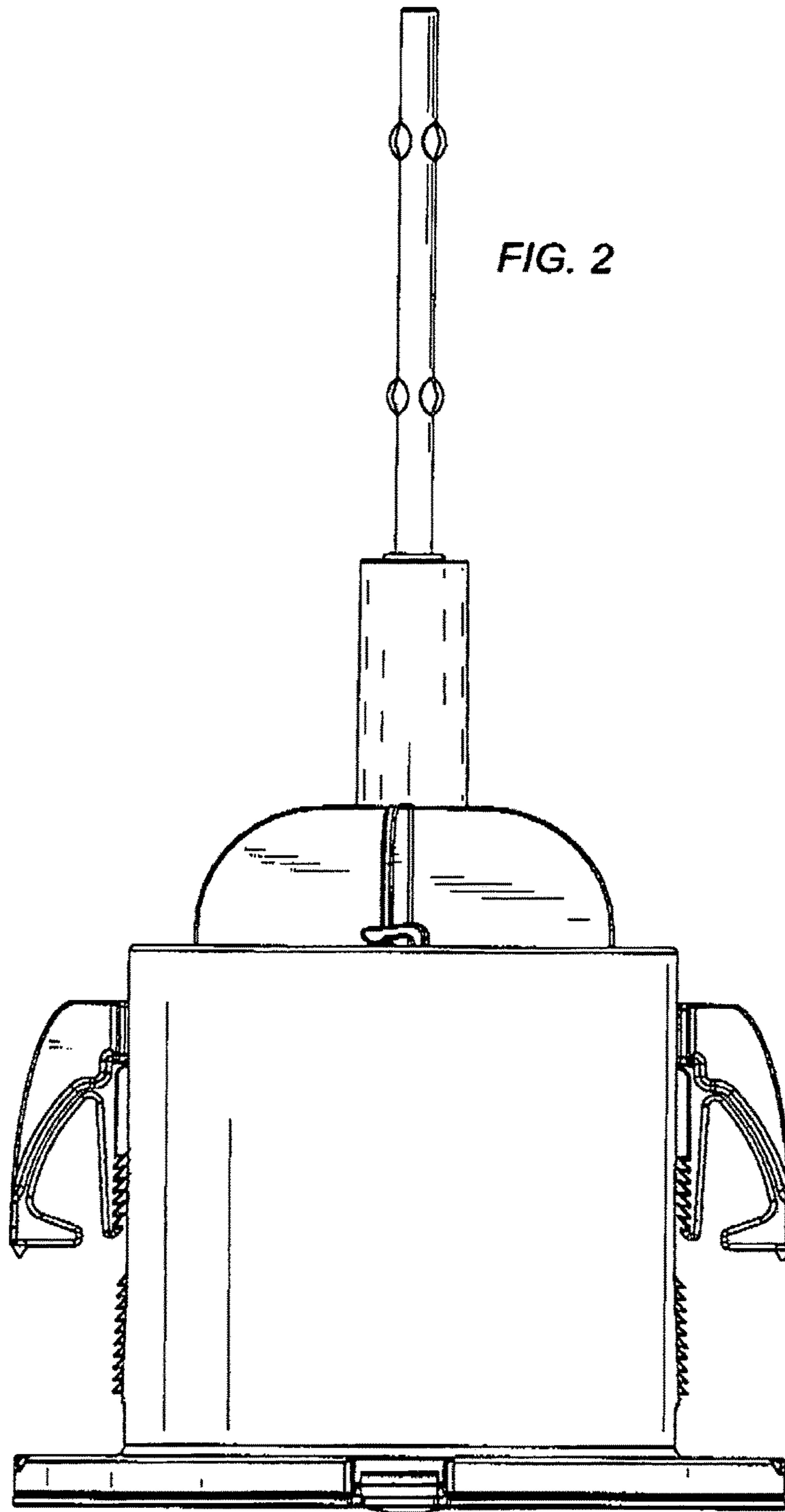


FIG. 1



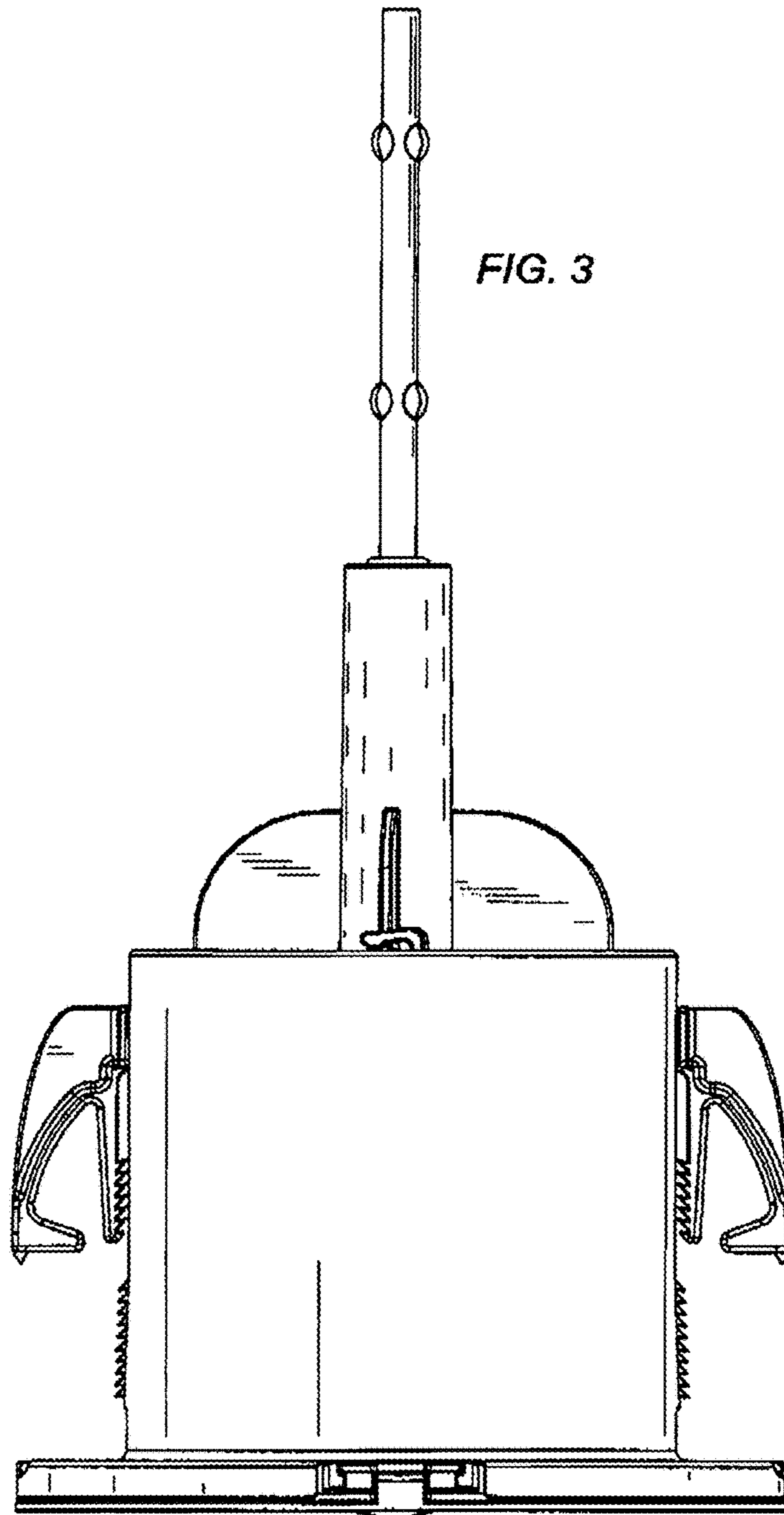
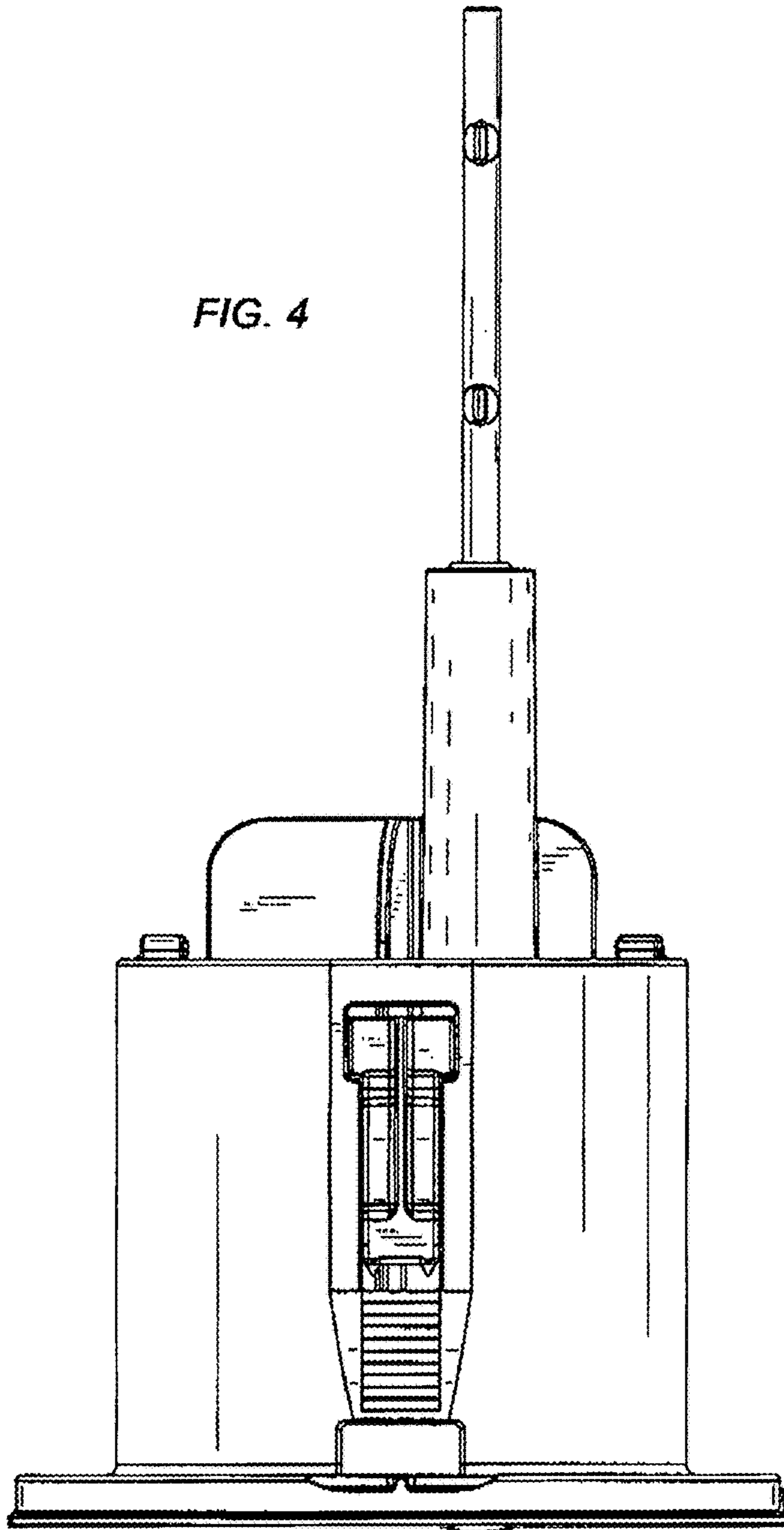
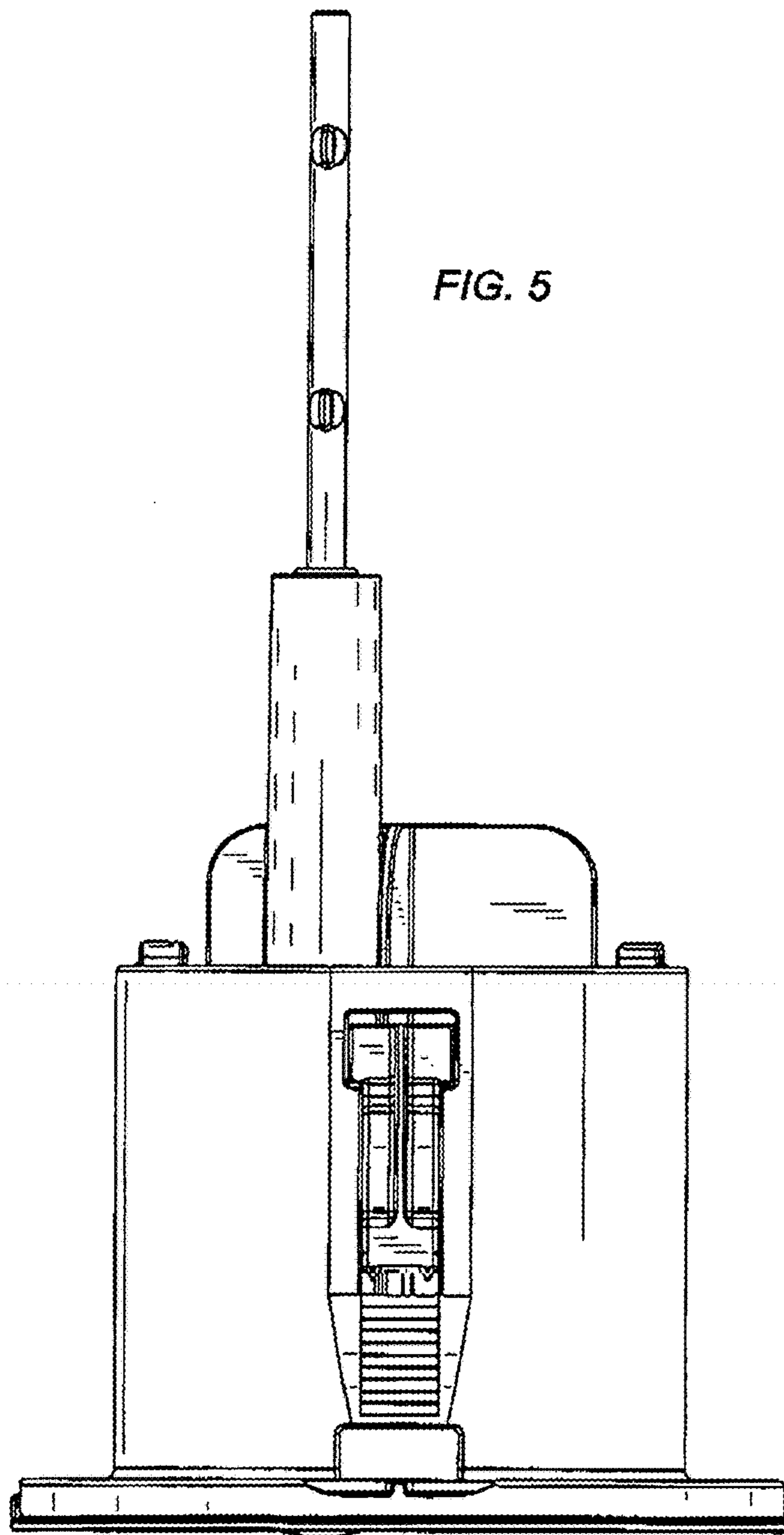


FIG. 4





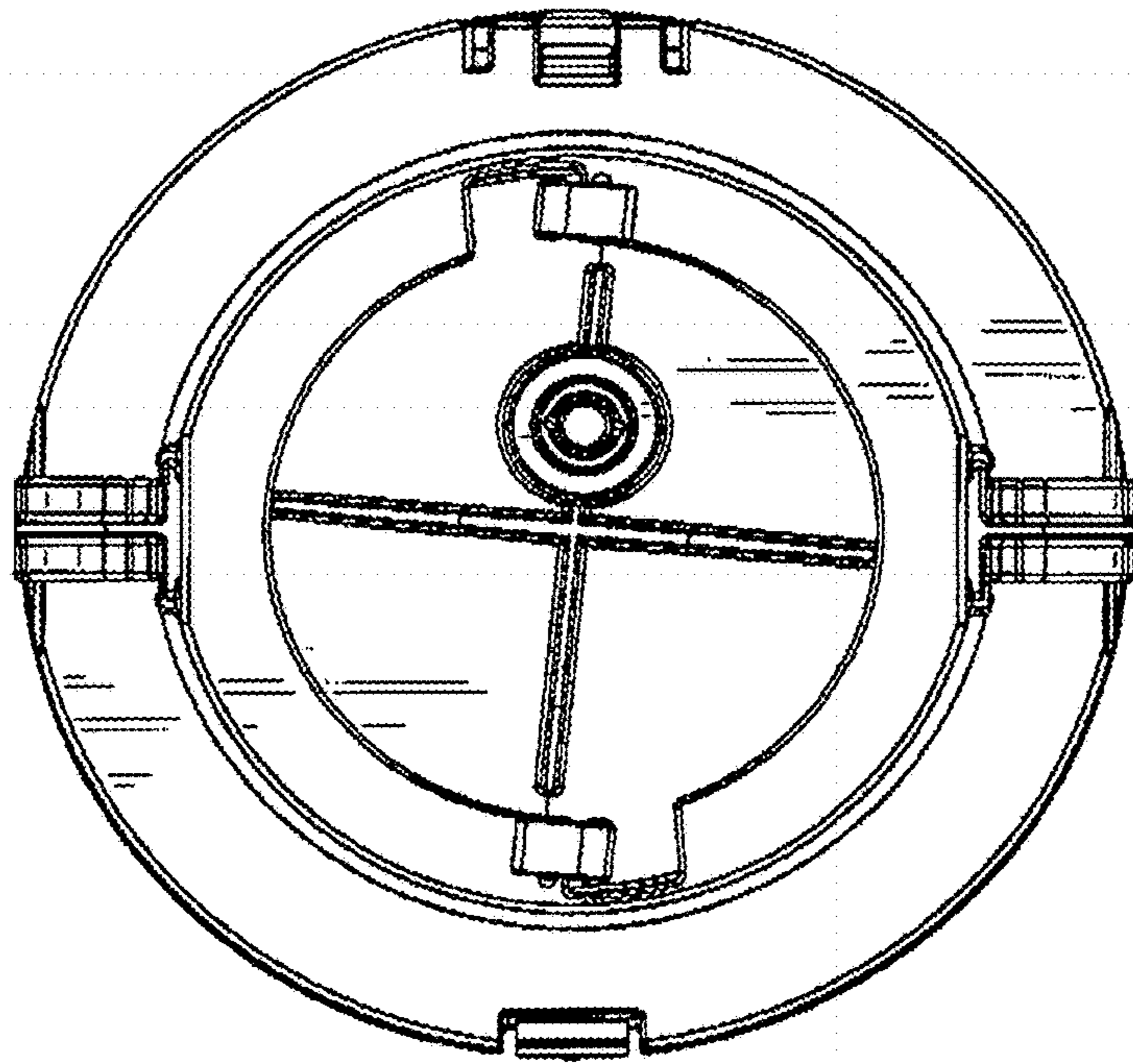


FIG. 6

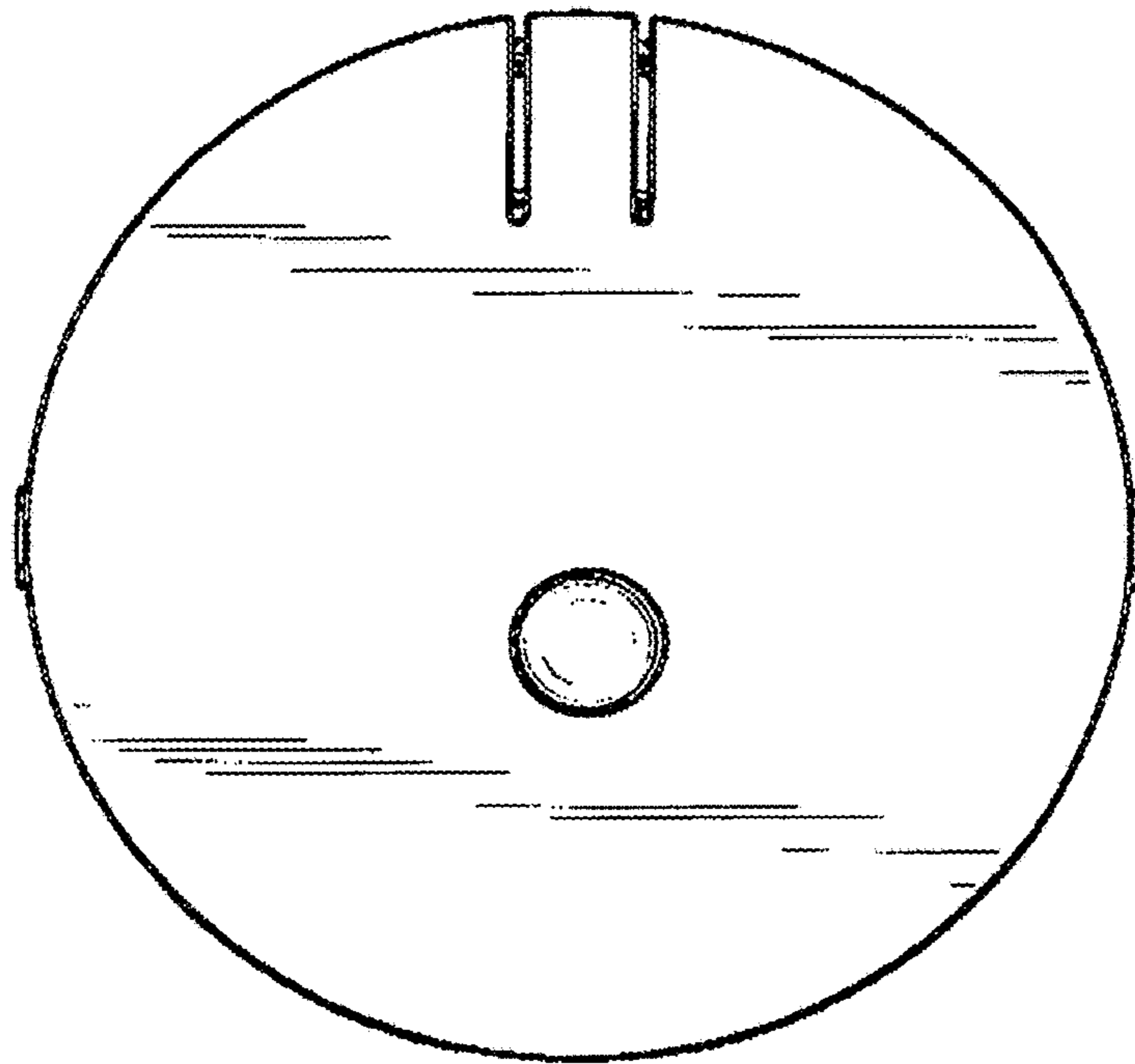


FIG. 7