



US00D839379S

(12) **United States Design Patent** (10) **Patent No.:** **US D839,379 S**
Shoer (45) **Date of Patent:** **** Jan. 29, 2019**

(54) **NON-LETHAL PERSONAL PROTECTION SYSTEM**
(71) Applicant: **Joseph Shoer**, Boynton Beach, FL (US)
(72) Inventor: **Joseph Shoer**, Boynton Beach, FL (US)
(**) Term: **15 Years**
(21) Appl. No.: **29/614,429**
(22) Filed: **Aug. 18, 2017**
(51) **LOC (11) Cl.** **22-02**
(52) **U.S. Cl.**
USPC **D22/117**
(58) **Field of Classification Search**
USPC D22/117-120; 222/78-79, 39, 113,
222/153.05, 153.11, 162, 175, 192, 183,
222/325, 402.11, 402.21; 463/47.3, 47.4;
231/7; 361/232
CPC .. F21V 33/0064; F21V 33/0076; F41B 15/04;
F41H 13/00; F41H 13/0018; F41H
13/0087; G08B 15/004
See application file for complete search history.

D636,050 S * 4/2011 Kaufman D22/117
D706,897 S * 6/2014 Sheikh D22/117
D747,521 S * 1/2016 Sheikh D22/117
D755,429 S * 5/2016 Huang D22/117
9,377,276 B1 * 6/2016 Jiang F41H 13/0018
D782,603 S * 3/2017 Fan D22/117

* cited by examiner

Primary Examiner — Catherine R Oliver-Garcia
(74) *Attorney, Agent, or Firm* — Mintz Levin Cohn Ferris
Glovsky and Popeo, P.C.; Adam P. Samansky; Michael A.
Mattoni

(57) **CLAIM**

The ornamental design for a non-lethal personal protection system, as shown and described.

DESCRIPTION

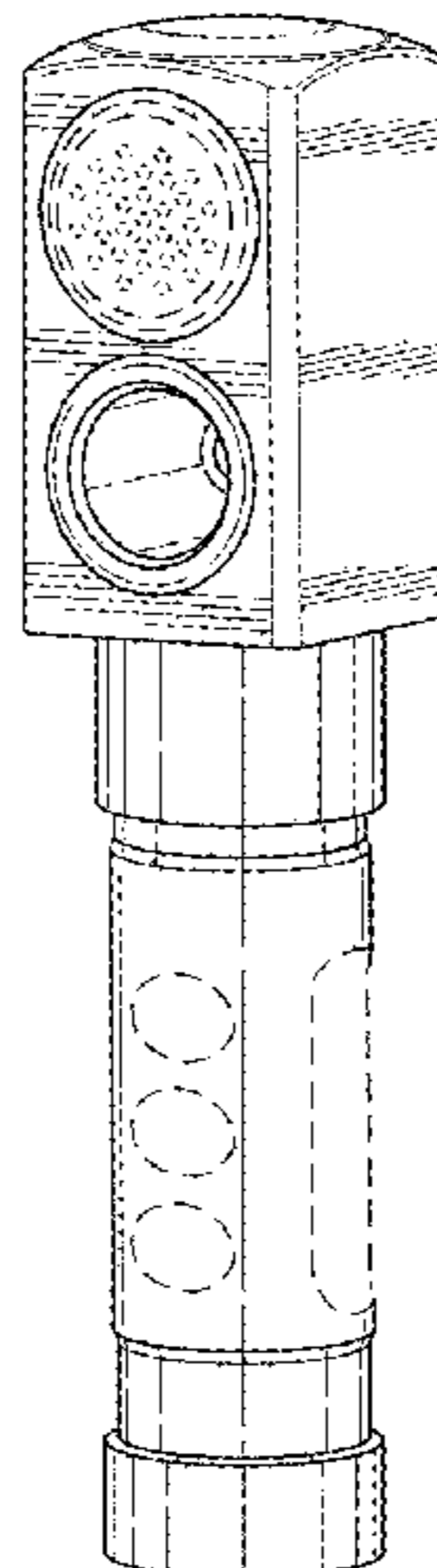
FIG. 1 is a front perspective view of a non-lethal personal protection system according to the present invention. FIG. 2 is a front view of the non-lethal personal protection system of FIG. 1. FIG. 3 is a rear view of the non-lethal personal protection system of FIG. 1. FIG. 4 is a left side view of the non-lethal personal protection system of FIG. 1. FIG. 5 is a right side view of the non-lethal personal protection system of FIG. 1. FIG. 6 is a top view of the non-lethal personal protection system of FIG. 1; and, FIG. 7 is a bottom view of the non-lethal personal protection system of FIG. 1. Where applicable, elements are shown in broken lines herein for illustrative purposes only and form no part of the claimed design.

(56) **References Cited**

U.S. PATENT DOCUMENTS

2,625,764 A * 1/1953 O'Brien F21V 33/00
463/47.4
D215,934 S * 11/1969 Litman et al. D22/117
4,486,807 A * 12/1984 Yanez F21V 33/0064
361/232
4,968,034 A * 11/1990 Hsieh F21V 33/0076
231/7
D351,640 S * 10/1994 de Anda D22/117
D360,674 S * 7/1995 McClean D22/117
D363,674 S * 10/1995 Bonsall D10/106.1
6,791,816 B2 * 9/2004 Stethem F21V 33/0076
231/7
D585,955 S * 2/2009 Gamma D22/117

1 Claim, 4 Drawing Sheets



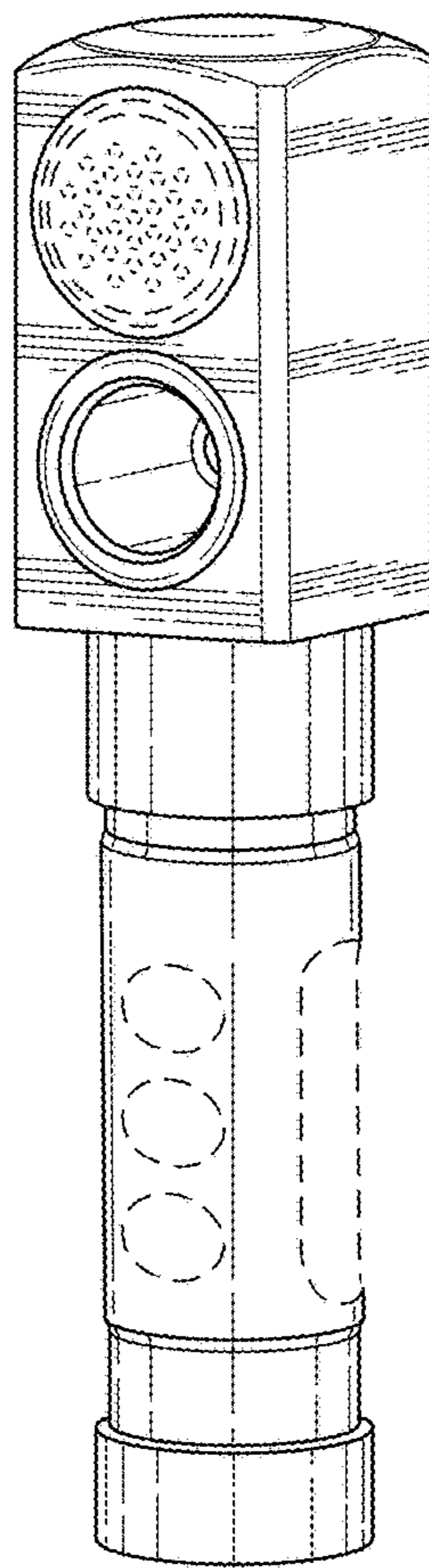


FIG. 1

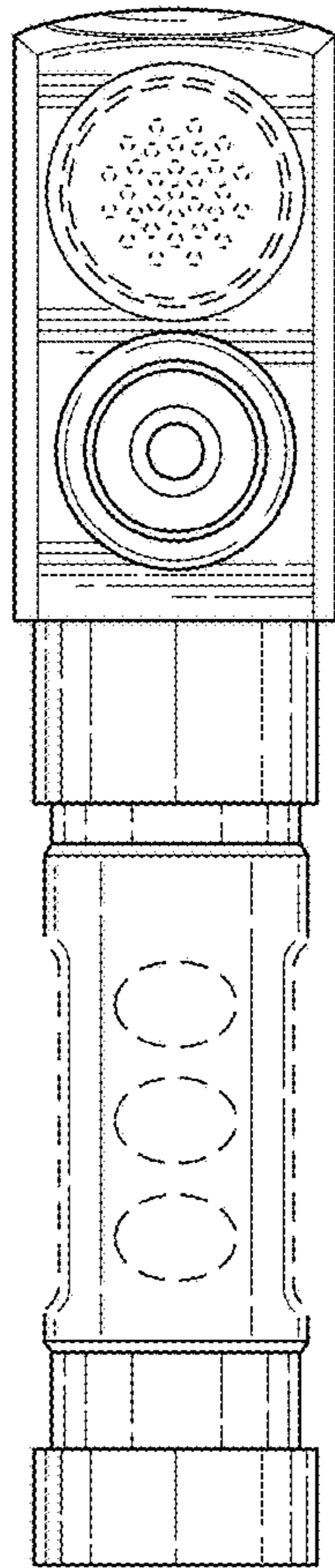


FIG. 2

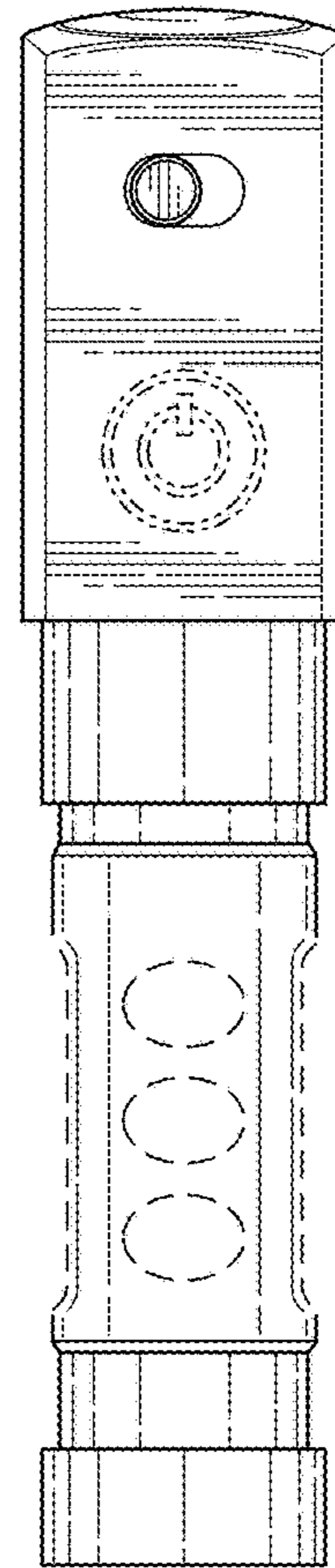


FIG. 3

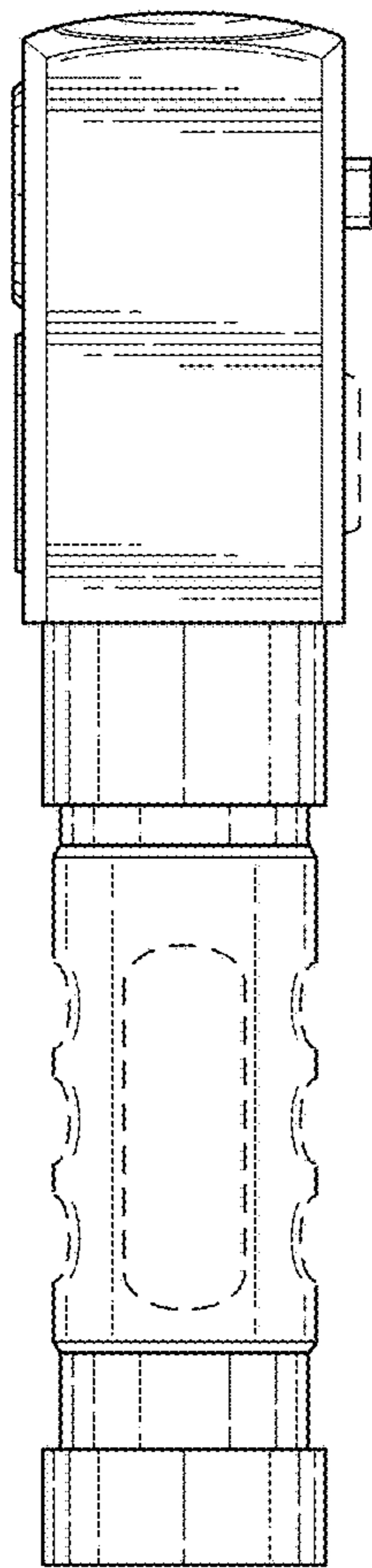


FIG. 4

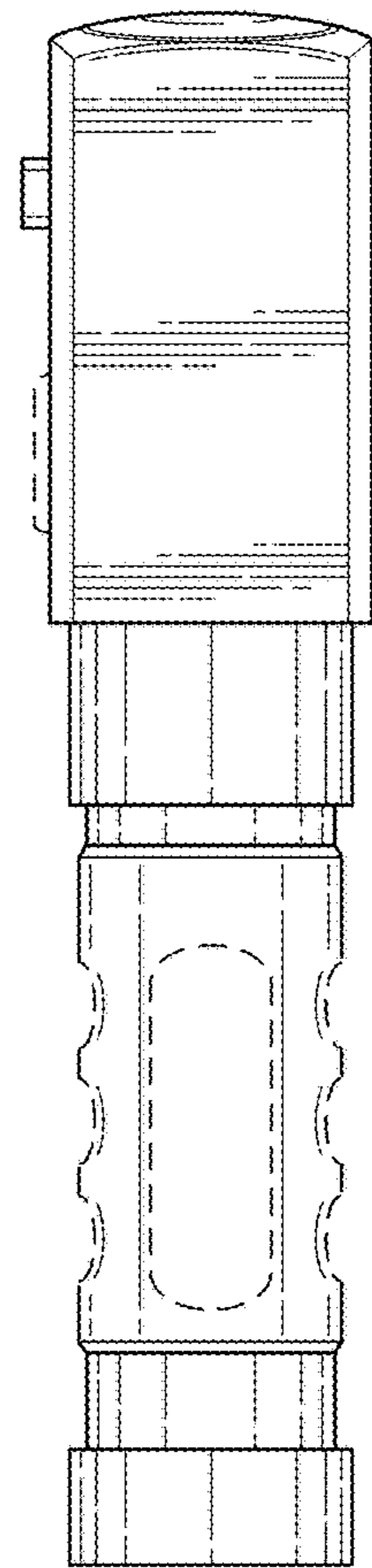


FIG. 5

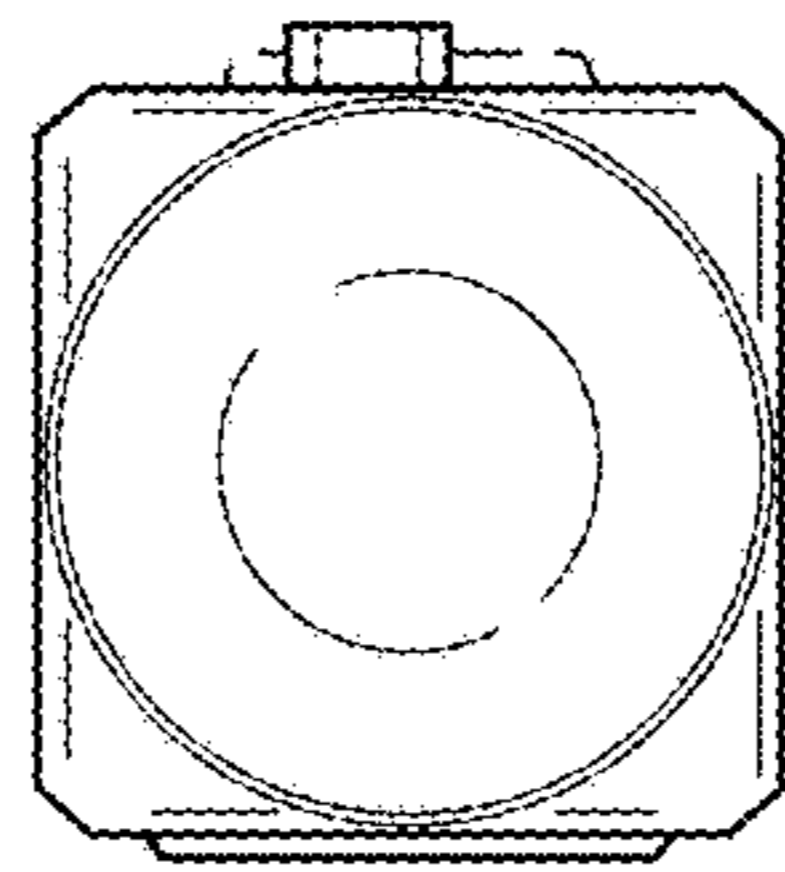


FIG. 6

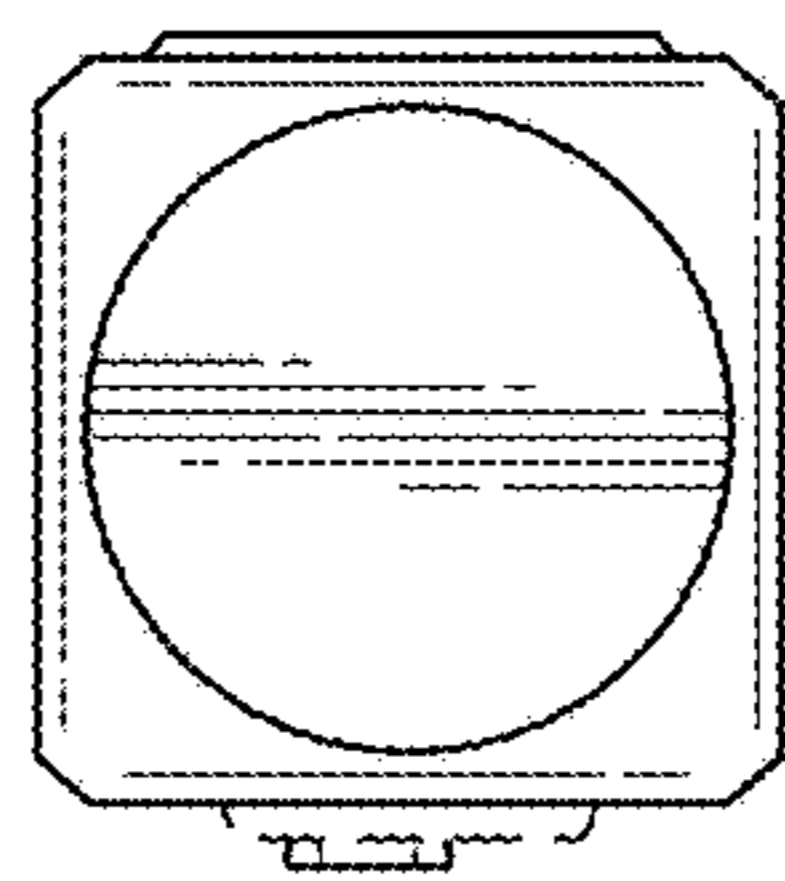


FIG. 7