



US00D839377S

(12) **United States Design Patent**
Cheng et al.

(10) **Patent No.:** **US D839,377 S**
(45) **Date of Patent:** **** Jan. 29, 2019**

- (54) **MAGAZINE OPENER**
- (71) Applicants: **Carson Cheng**, City of Industry, CA (US); **Changan Tian**, City of Industry, CA (US); **Richard Thomas**, City of Industry, CA (US)
- (72) Inventors: **Carson Cheng**, City of Industry, CA (US); **Changan Tian**, City of Industry, CA (US); **Richard Thomas**, City of Industry, CA (US)
- (73) Assignee: **NcSTAR, Inc**, City of Industry, CA (US)

D304,992 S *	12/1989	Matthies	D8/40
D308,322 S *	6/1990	Borden	D8/40
4,967,436 A *	11/1990	Russell	B67B 7/44 7/105
5,069,090 A *	12/1991	Clark	B67B 7/14 7/105
5,417,003 A *	5/1995	Claveau	F41A 9/83 42/87
D382,453 S *	8/1997	Drinkwater	D8/18
D422,860 S *	4/2000	Vinar	D8/40
D501,773 S *	2/2005	Kohn	D8/18
D818,554 S *	5/2018	Hefer	D22/108

* cited by examiner

Primary Examiner — Philip S Hyder

- (**) Term: **15 Years**
- (21) Appl. No.: **29/610,927**
- (22) Filed: **Jul. 17, 2017**
- (51) **LOC (11) Cl.** **22-01**
- (52) **U.S. Cl.**
USPC **D22/108**; D8/14
- (58) **Field of Classification Search**
USPC D22/108; D8/14, 51, 18, 40, 88, 89
CPC F41A 9/83; F41A 9/82; F41A 9/61; B67B
7/00; B67B 7/16
See application file for complete search history.

(57) **CLAIM**

The ornamental design for a magazine opener, as shown and described.

DESCRIPTION

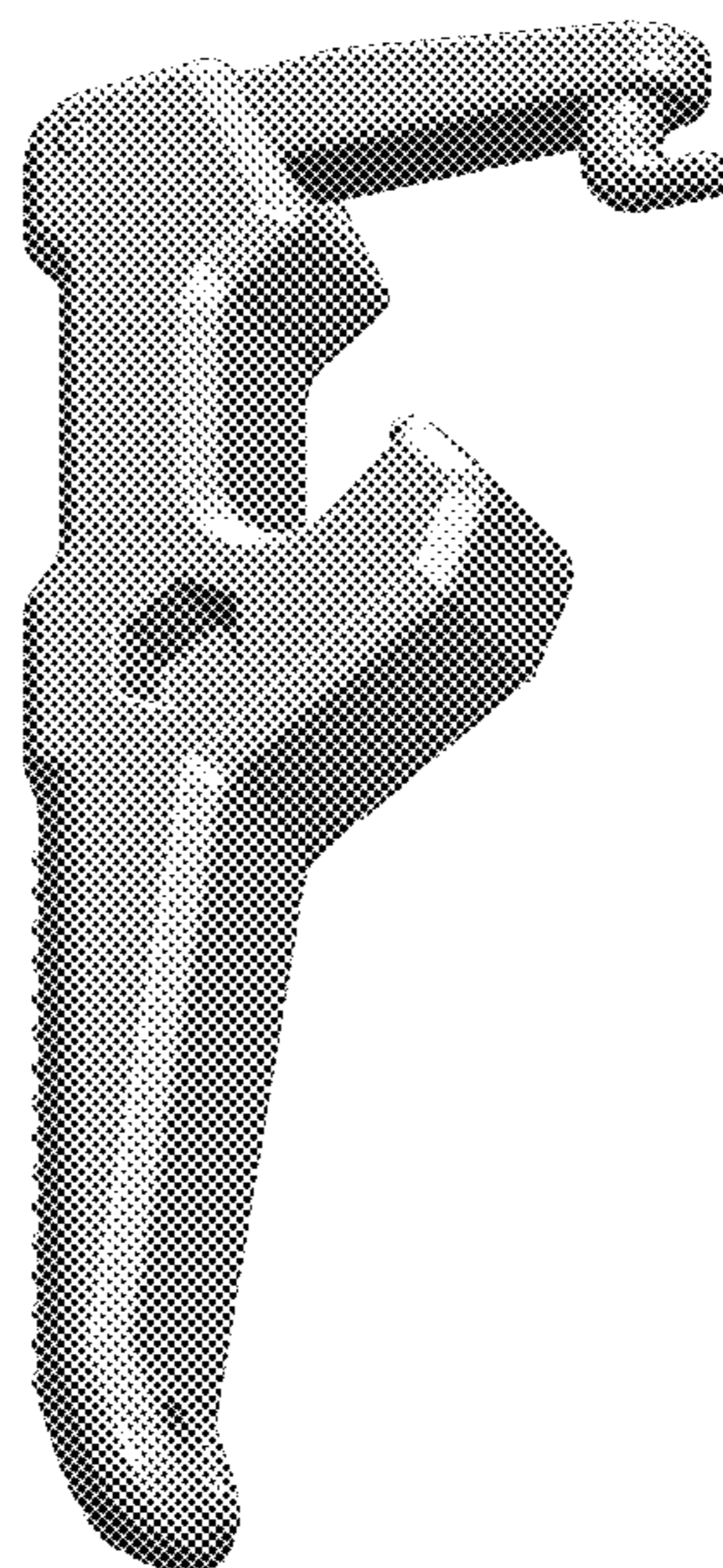
FIG. 1 is a top perspective view of the magazine opener of our new design;
 FIG. 2 is a bottom perspective view thereof;
 FIG. 3 is a front view thereof, the rear view being a mirror image of the front view; and,
 FIG. 4 is a left view thereof;
 FIG. 5 is a right view thereof;
 FIG. 6 is a top view thereof;
 FIG. 7 is a bottom view thereof;
 FIG. 8 is a rear perspective view of the magazine opener with folded locking bar; and,
 FIG. 9 is a front perspective view thereof.

(56) **References Cited**

U.S. PATENT DOCUMENTS

D245,393 S *	8/1977	Madsen	D8/18
D276,304 S *	11/1984	DiFede	81/3.55
4,658,455 A *	4/1987	Skillern	A47L 13/512 248/211

1 Claim, 7 Drawing Sheets



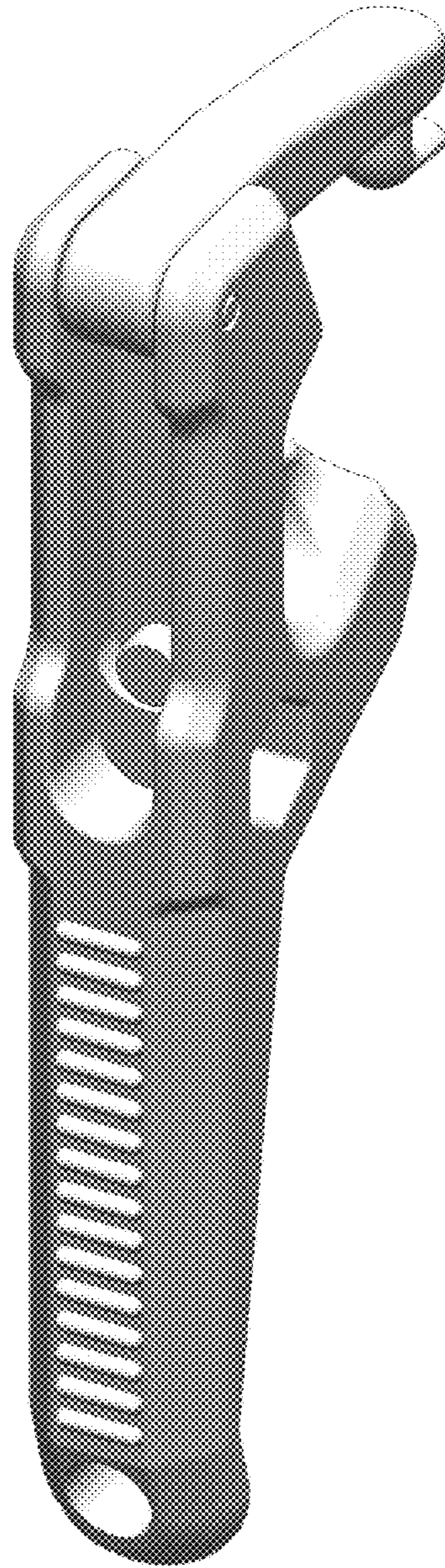


FIG. 1

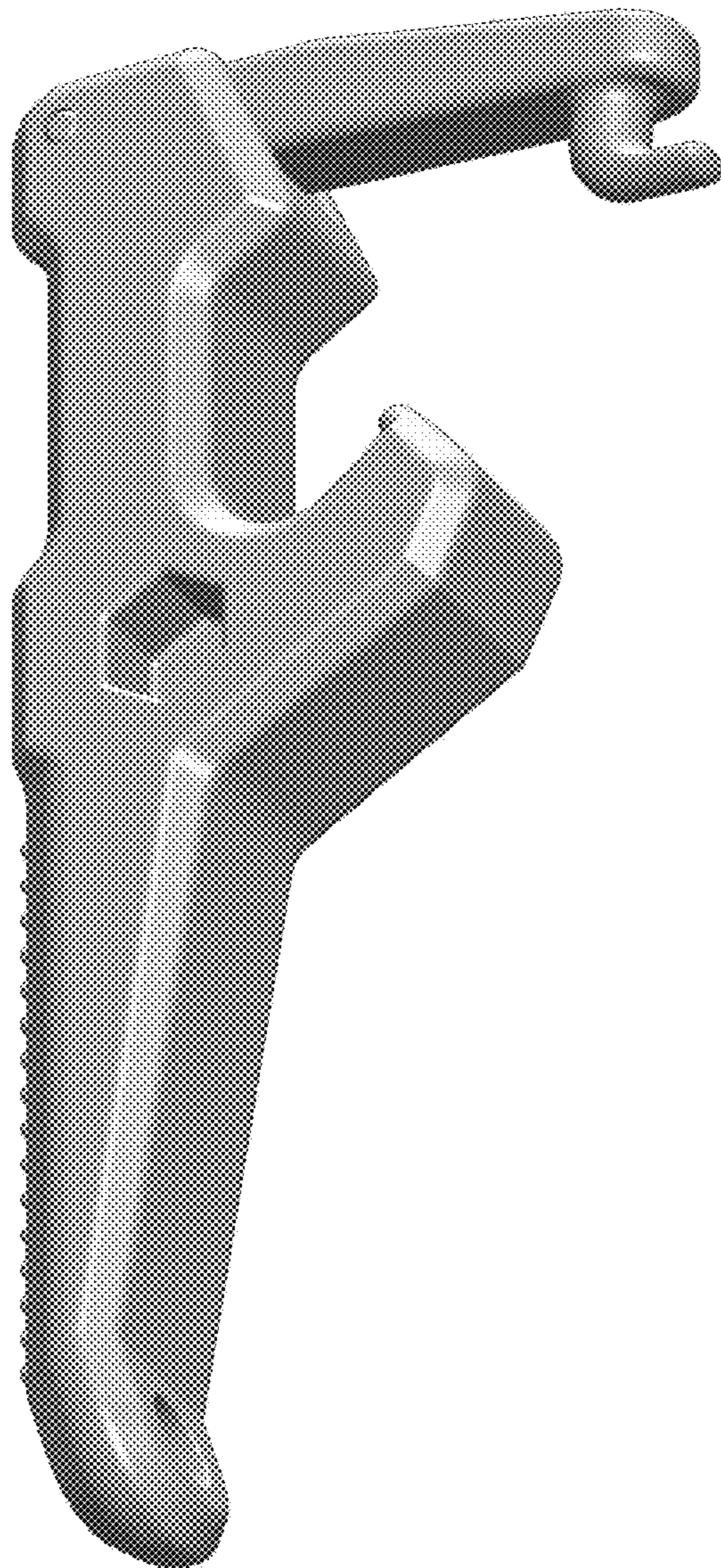


FIG. 2

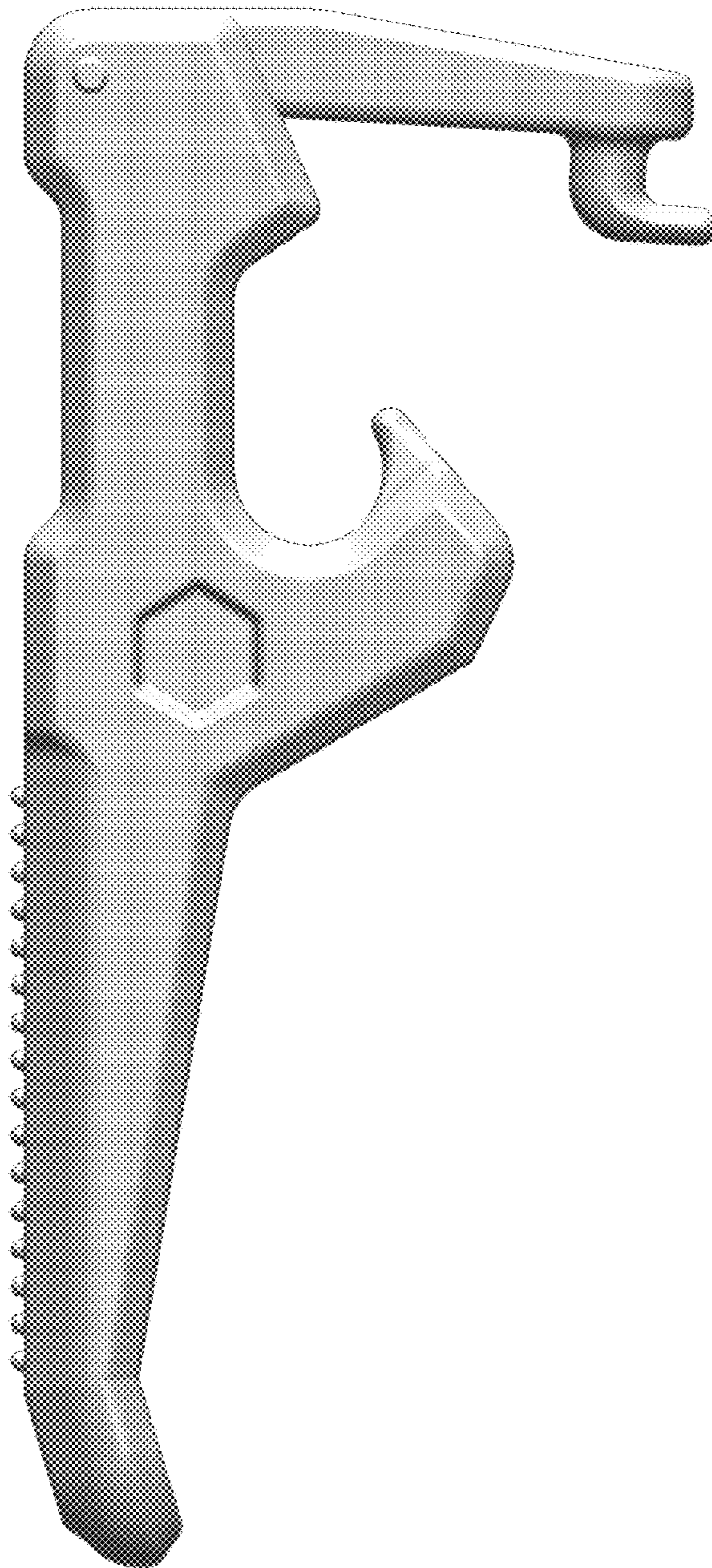


FIG. 3

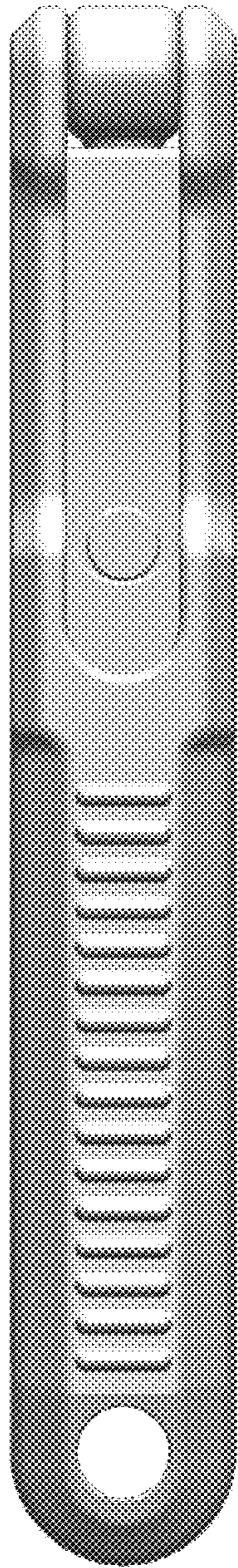


FIG. 4

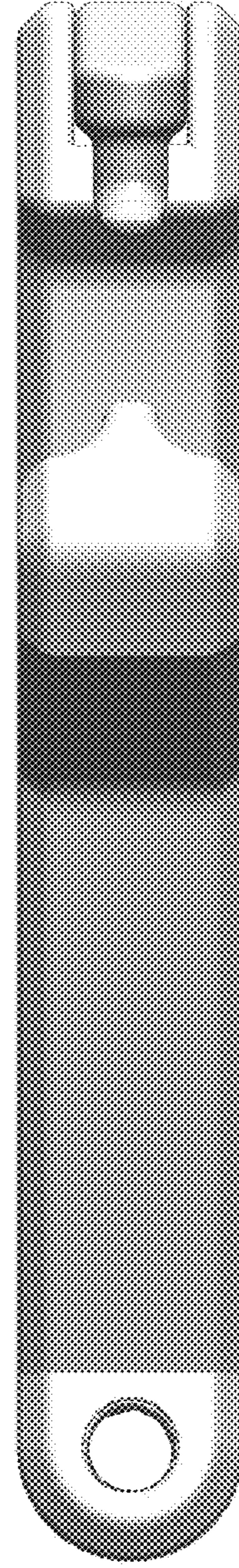


FIG. 5

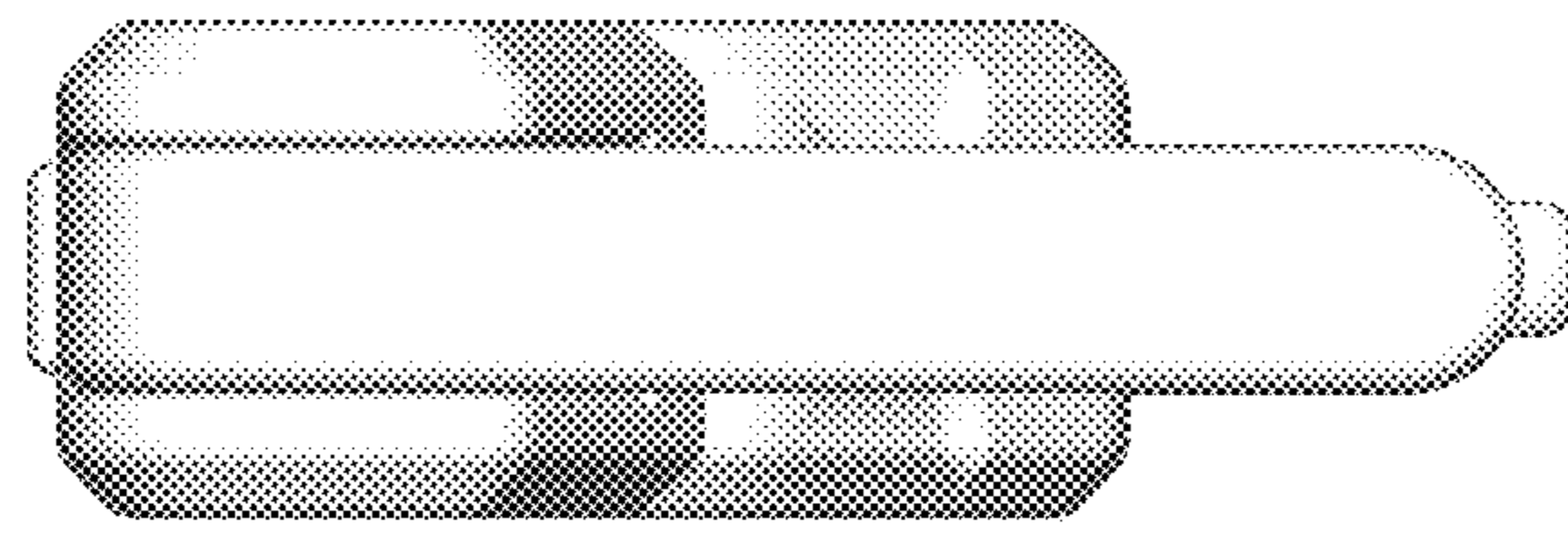


FIG. 6

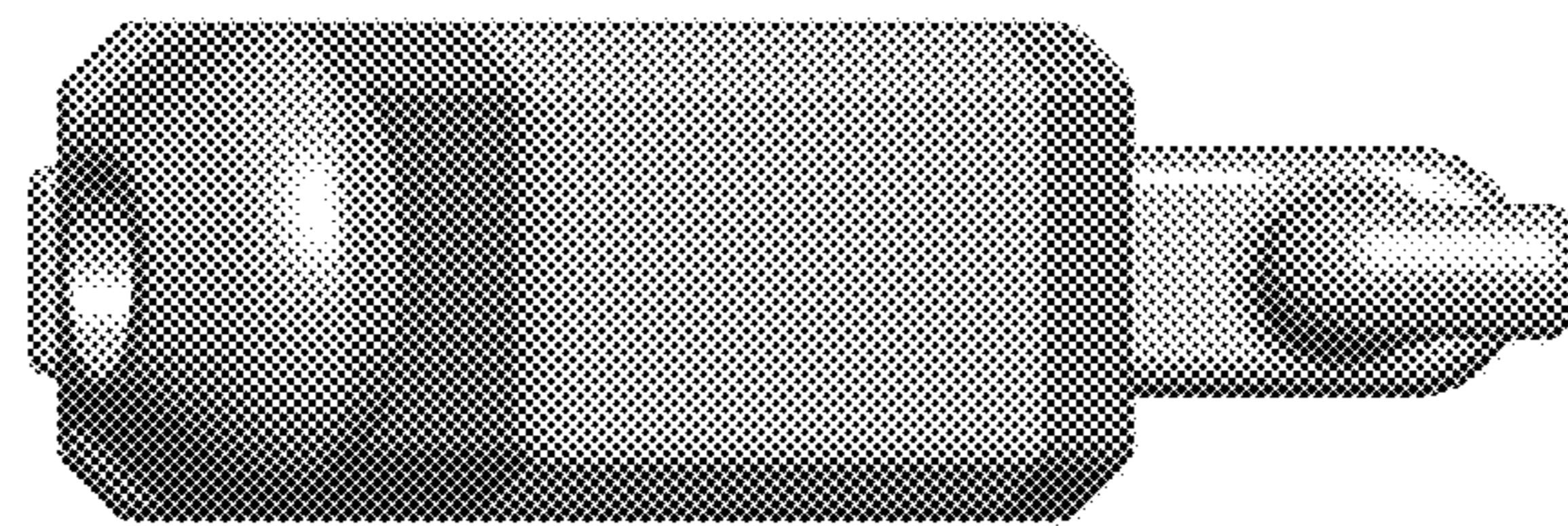


FIG. 7

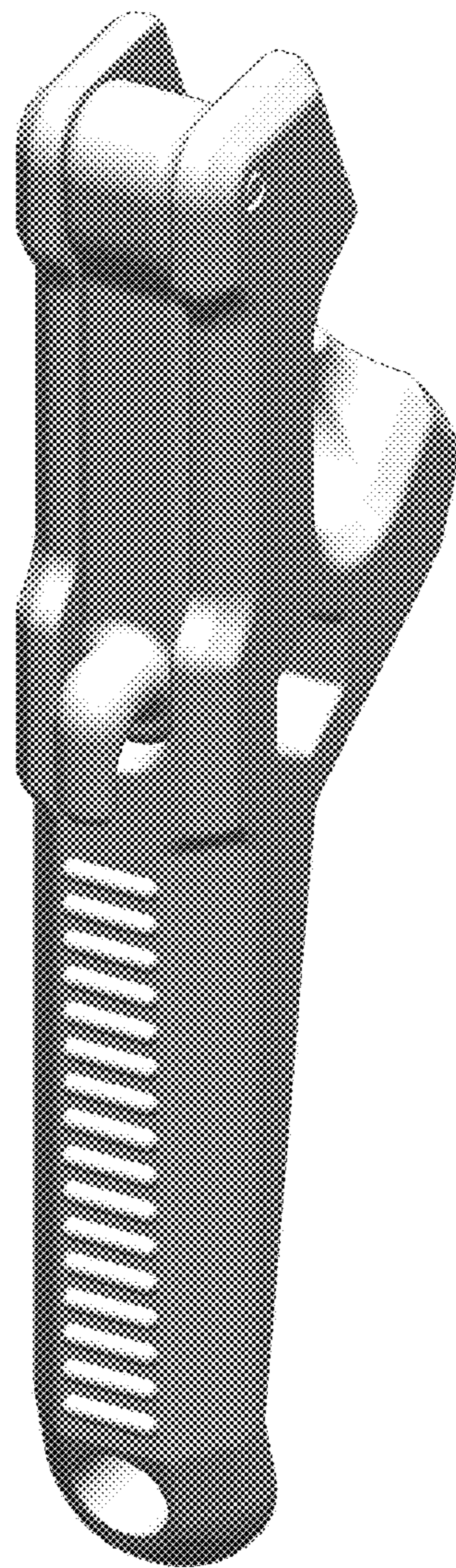


FIG. 8

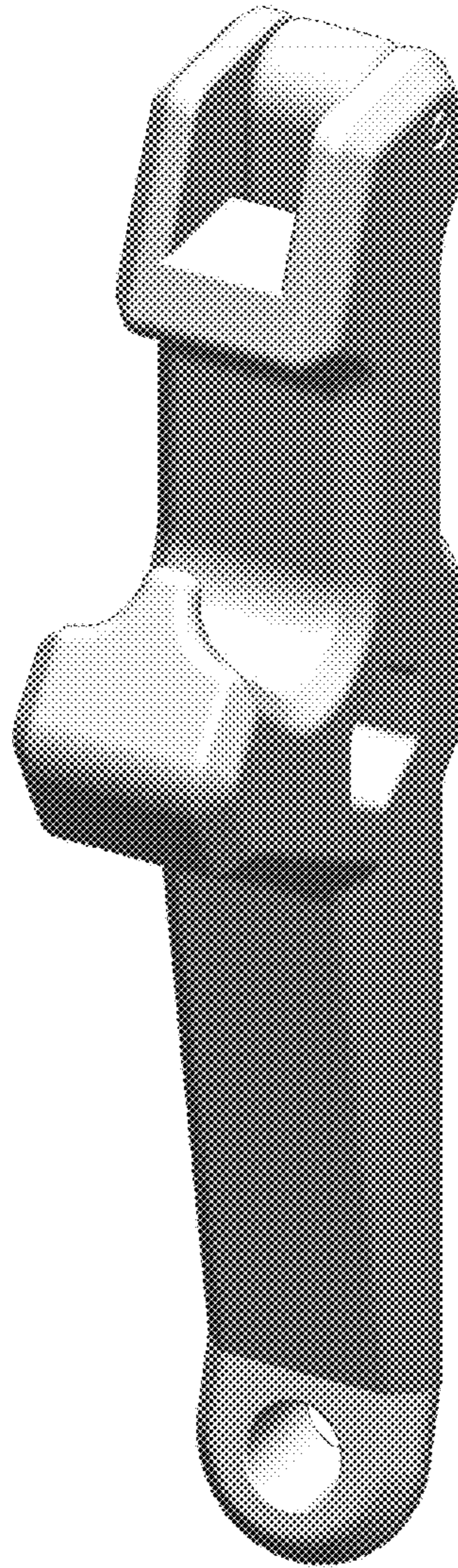


FIG. 9