



US00D839376S

(12) **United States Design Patent**  
**Hefer et al.**

(10) **Patent No.:** **US D839,376 S**  
(45) **Date of Patent:** **\*\* Jan. 29, 2019**

(54) **DUAL WAY MAGAZINE LOADER**

(71) Applicant: **VISTA OUTDOOR OPERATIONS LLC**, Farmington, UT (US)

(72) Inventors: **Brandon Thomas Hefer**, St. Louis, MO (US); **Brandon Karl Trostrud**, St. Louis, MO (US)

(73) Assignee: **Vista Outdoor Operations LLC**, Farmington, UT (US)

(\*\*) Term: **15 Years**

(21) Appl. No.: **29/591,051**

(22) Filed: **Jan. 16, 2017**

**Related U.S. Application Data**

(63) Continuation-in-part of application No. 29/578,173, filed on Sep. 19, 2016, which is a continuation-in-part of application No. 29/571,879, filed on Jul. 22, 2016, now Pat. No. Des. 818,554.

(51) **LOC (11) Cl.** ..... **22-01**

(52) **U.S. Cl.**  
USPC ..... **D22/108**

(58) **Field of Classification Search**  
USPC ..... D22/108  
CPC ..... F41A 9/83; F41A 9/82  
See application file for complete search history.

(56) **References Cited**

**U.S. PATENT DOCUMENTS**

1,085,125 A	1/1914	Hoagland
1,786,537 A	12/1930	Holek
1,840,477 A	1/1932	Frommer
2,014,177 A	9/1935	Herlach et al.
2,137,491 A	11/1938	Huff
2,191,130 A	2/1940	Ludwig
2,210,931 A	8/1940	Harris
2,345,593 A	4/1944	Garand

(Continued)

*Primary Examiner* — Michael A. Pratt

(74) *Attorney, Agent, or Firm* — Christensen, Fonder, Dardi & Herbert PLLC

(57) **CLAIM**

We claim the ornamental design for a dual way magazine loader, as shown and described.

**DESCRIPTION**

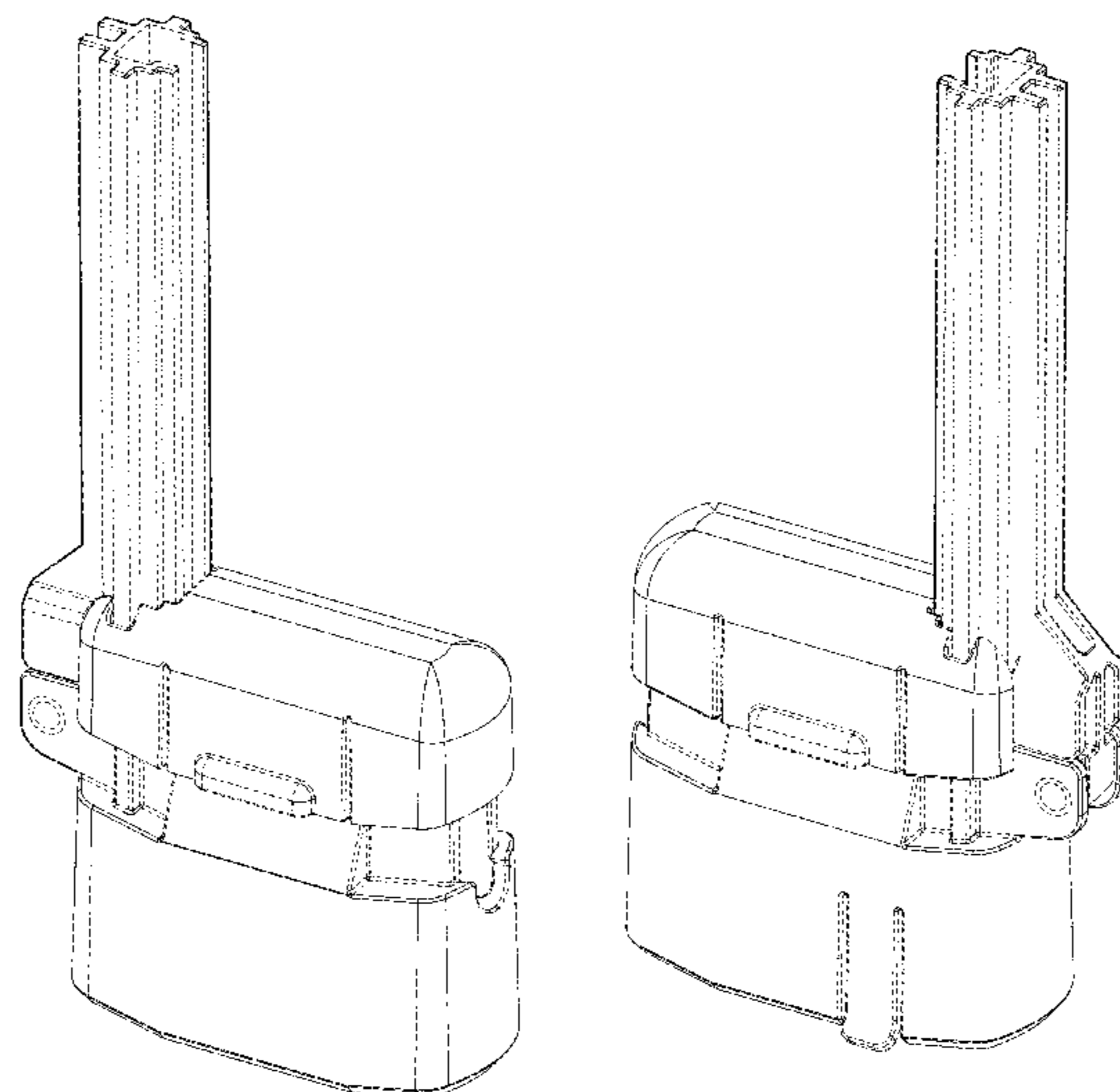
FIG. 1 is a front, right side, top perspective view of a dual way magazine loader showing our new design; and, FIG. 2 is a rear, left side, top perspective view thereof.

The bottom of the dual way magazine loader is not shown in the drawing and forms no part of the claimed design.

Broken lines shown in the drawings illustrate structure or features which form no part of the claimed design.

We understand that the embodiments of our inventions includes features and components illustrated by the drawings herein and shown in the applications incorporated by reference, in all permutations and combinations of such components and features. In other words, we understand embodiments our inventions include the discrete components illustrated by the drawings herein and the applications incorporated by reference, with or without specific features in the various drawings claimed. We understand embodiments of our inventions includes different combinations of such discrete components as illustrated by the drawings herein and in the applications incorporated by reference. Whereby we reserve the right and contemplate making solid lines dashed for any specific feature or component, part, or portion in the various embodiments illustrated herein and in the drawings of the applications incorporated by reference herein as we have contemplated such as being embodiments of our invention, and we reserve the right and contemplate making dashed lines solid for any specific feature or component, part, or portion.

**1 Claim, 2 Drawing Sheets**



(56)

References Cited

U.S. PATENT DOCUMENTS

2,362,109 A	11/1944	Whitmore	5,377,436 A	1/1995	Switzer
2,394,033 A	2/1946	Wossum	5,402,594 A	4/1995	Switzer
2,403,012 A	7/1946	McPheters	5,417,003 A	5/1995	Claveau
2,451,521 A	10/1948	Uglum	5,669,171 A	9/1997	Sally
2,452,600 A	11/1948	Pool et al.	6,178,683 B1	1/2001	Williams
2,462,836 A	3/1949	Barker et al.	6,189,254 B1	2/2001	Steitz
2,466,017 A	4/1949	Farber	6,219,953 B1	4/2001	Bentley
2,493,048 A	1/1950	Wangrow	6,286,243 B1	9/2001	Hinton
2,514,277 A	7/1950	Donallan	D477,047 S	7/2003	Springer
2,531,387 A	11/1950	Bilodeau	6,678,985 B2	1/2004	Pikula
2,659,173 A	11/1953	Capito	6,754,987 B1	6/2004	Cheng et al.
2,783,570 A	3/1957	Kunz	6,807,764 B1	10/2004	Phillips
2,803,985 A	8/1957	Hull	6,810,616 B2	11/2004	Tal et al.
2,830,498 A	4/1958	Maillard	6,817,134 B2	11/2004	Newman
2,834,137 A	5/1958	Kunz	7,059,077 B2	6/2006	Tal et al.
2,856,720 A	10/1958	Kunz	7,257,919 B1	8/2007	Farley
2,862,324 A	12/1958	Ball	7,383,657 B2	6/2008	Pikielny
2,885,811 A	5/1959	Womble, Jr.	7,487,613 B2	2/2009	Taylor
2,887,811 A	5/1959	Johnson, Jr.	7,503,138 B2	3/2009	Tal et al.
3,045,525 A	7/1962	Stadelmann	D604,792 S	11/2009	Stanley
3,263,664 A *	8/1966	Bauer ..... F41A 9/83	7,637,048 B2	12/2009	Tal et al.
			7,805,874 B2	10/2010	Tal et al.
			8,065,830 B2	11/2011	Twardy
			8,234,810 B2	8/2012	Lee, III
			8,356,441 B2	1/2013	Meinel
			8,453,366 B2	6/2013	Gray
3,292,293 A *	12/1966	Chiasera ..... B65D 83/04	8,484,874 B2	7/2013	Kim
			D700,266 S	2/2014	Tal et al.
			8,650,792 B1	2/2014	Overmars
			8,726,561 B1	5/2014	Hampton
			8,915,007 B1	12/2014	Williams
3,509,655 A	5/1970	Wilhelm	8,931,199 B1	1/2015	Cauley, Jr. et al.
3,526,028 A	9/1970	Winch	D728,065 S	4/2015	Tal et al.
3,710,497 A	1/1973	Musgrave	9,003,687 B2	4/2015	Cauley, Jr. et al.
3,789,531 A	2/1974	Kersten	9,057,570 B1	6/2015	Tal et al.
3,854,232 A	12/1974	Musgrave	9,091,500 B1	7/2015	Kim
3,939,590 A	2/1976	Musgrave	9,115,943 B1	8/2015	Jordan
3,991,501 A	11/1976	Larsson	9,182,185 B2	11/2015	Hatch
4,152,857 A	5/1979	Ketterer	9,212,859 B1	12/2015	Tal et al.
4,291,483 A	9/1981	Musgrave	9,239,198 B2	1/2016	McPhee
4,304,062 A	12/1981	Pepe et al.	9,273,917 B1	3/2016	Buckner
4,352,254 A	10/1982	Peter et al.	D753,781 S	4/2016	Cauley, Jr. et al.
4,392,321 A	7/1983	Bosworth	9,303,934 B1	4/2016	Kazsuk
4,425,834 A	1/1984	Lohmann	D755,325 S	5/2016	Cauley, Jr. et al.
4,452,002 A	6/1984	Musgrave	9,347,722 B1	5/2016	Morris
4,464,855 A	8/1984	Musgrave	9,459,063 B1	10/2016	Gattorna
4,488,371 A	12/1984	Boyles	D770,588 S	11/2016	Cauley, Jr. et al.
4,538,371 A	9/1985	Howard	9,772,152 B1	9/2017	Niccum
4,564,125 A *	1/1986	Esslinger ..... F42B 39/002	D818,554 S *	5/2018	Hefer ..... D22/108
			2003/0046854 A1	3/2003	Urchek
			2003/0226306 A1	12/2003	Hines
D282,680 S	2/1986	Boyles	2004/0020096 A1	2/2004	Tal et al.
4,570,371 A	2/1986	Mears	2004/0159035 A1	8/2004	Newman
4,574,511 A	3/1986	Csongor	2004/0159036 A1	8/2004	Newman
4,614,052 A	9/1986	Brown et al.	2007/0017140 A1	1/2007	Pikielny
4,688,344 A	8/1987	Kim	2007/0137086 A1	6/2007	Price
4,689,909 A *	9/1987	Howard ..... F41A 9/83	2008/0184608 A1	8/2008	Tal et al.
			2010/0175294 A1	7/2010	Meinel
			2012/0152221 A1	6/2012	Meggs
			2012/0192477 A1	8/2012	Kim
4,706,402 A	11/1987	Csongor	2012/0222343 A1	9/2012	Kim
4,707,941 A	11/1987	Eastman	2013/0061505 A1	3/2013	Faifer
4,719,715 A	1/1988	Howard	2013/0232843 A1	9/2013	Bajuelo
4,736,667 A	4/1988	Kochevar et al.	2014/0033592 A1	2/2014	Fiorucci
4,739,572 A	4/1988	Brandenburg	2014/0223792 A1	8/2014	Socivoi
4,813,169 A	3/1989	Calliebe	2014/0298704 A1	10/2014	Niccum
D300,549 S	4/1989	Crow	2014/0311008 A1	10/2014	McPhee
4,827,651 A	5/1989	Conkey	2014/0317985 A1	10/2014	Cauley, Jr. et al.
4,829,693 A	5/1989	Holmes	2015/0316341 A1	11/2015	Aguilar
4,872,279 A	10/1989	Boat	2015/0377573 A1	12/2015	Niccum
4,879,829 A	11/1989	Miller et al.	2016/0025437 A1	1/2016	Slocum
4,888,902 A	12/1989	Knowles	2016/0102932 A1	4/2016	Cobb
4,939,862 A	7/1990	Brandenburg et al.	2017/0051992 A1	2/2017	Cottrell et al.
4,949,495 A	8/1990	Mari	2017/0211902 A1	7/2017	Mills
4,967,723 A *	11/1990	Cutrell ..... F41B 11/51	2018/0058785 A1 *	3/2018	Hefer ..... F41A 9/83
			2018/0066907 A1	3/2018	Hefer et al.
4,970,820 A	11/1990	Miller et al.			
4,993,180 A	2/1991	Upchurch			
5,074,070 A	12/1991	Kuykendall			
5,129,173 A	7/1992	Kuykendall			
5,249,386 A	10/1993	Switzer			
5,301,449 A	4/1994	Jackson			
5,355,606 A	10/1994	Origoni			

\* cited by examiner

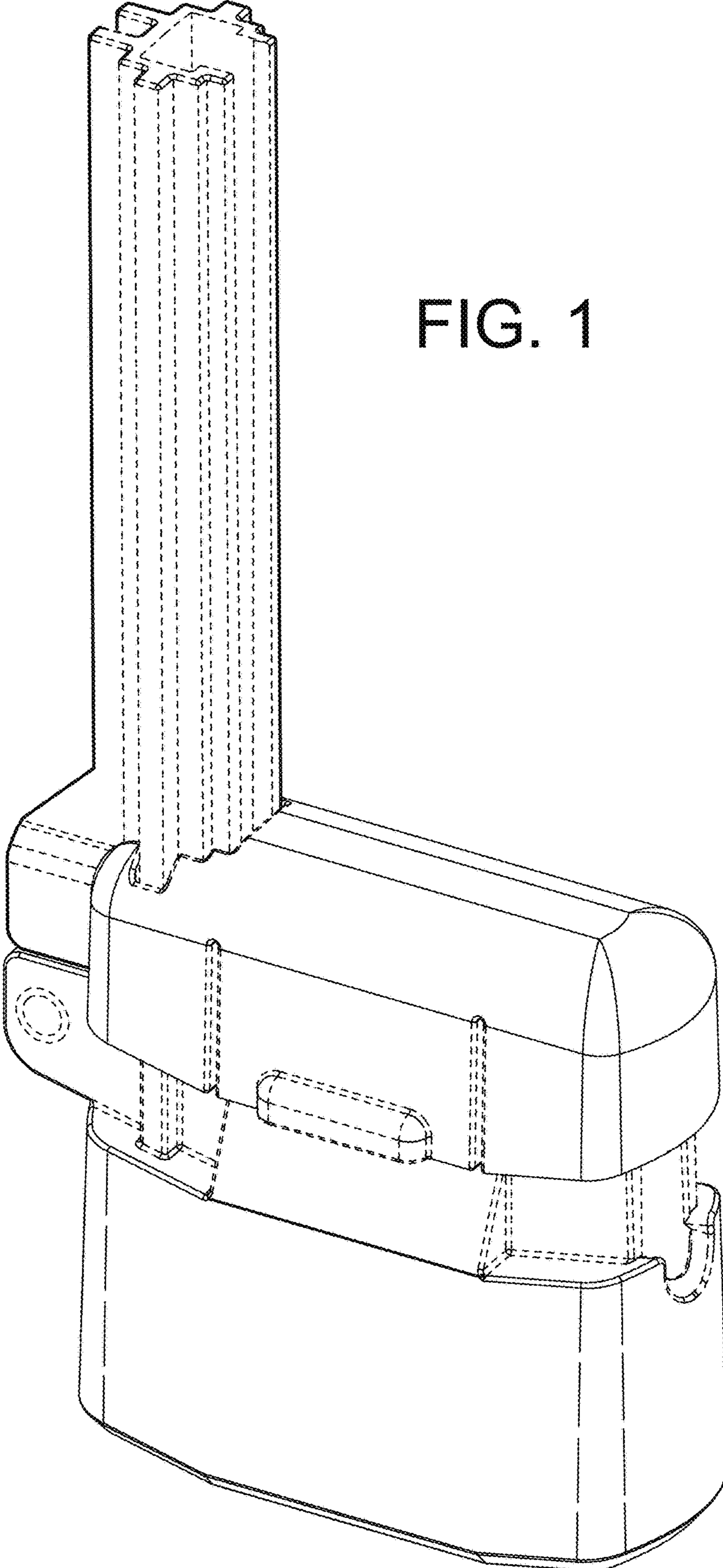


FIG. 1

FIG. 2

