



US00D839375S

(12) **United States Design Patent**
James

(10) **Patent No.:** **US D839,375 S**
(45) **Date of Patent:** **** Jan. 29, 2019**

(54) **OUTER TUBE FOR FIREARM SUPPRESSOR**

(71) Applicant: **Palmetto State Defense, LLC**, Greer, SC (US)

(72) Inventor: **Christopher A. James**, Greer, SC (US)

(73) Assignee: **Palmetto State Defense, LLC**, Greer, SC (US)

(**) Term: **15 Years**

(21) Appl. No.: **29/587,830**

(22) Filed: **Dec. 15, 2016**

(51) **LOC (11) Cl.** **22-01**

(52) **U.S. Cl.**
USPC **D22/108**

(58) **Field of Classification Search**
USPC D22/108, 109; D21/572-575; 89/14.05, 89/14.1-14.8, 40.06, 41.19, 37.04, 33.04, 89/191.01, 200-204, 177, 223; 42/1.01-1.07, 2, 8-26, 34, 36, 37, 44, 42/63-64, 75.01-75.04, 76.01, 42/76.02-76.1, DIG. 1; 433/159, 173; 124/66, 67, 72, 743; D5/1, 2, 3; D27/163; D8/60
CPC F41A 21/02; F41A 21/08; F41A 21/48; F41A 21/481; F41A 21/482; F41A 21/484; F41A 21/485; F41A 21/487; F41A 21/488; F41A 21/34; F41A 21/325; F41A 21/32; F41A 21/28; F41A 35/02; F41C 23/16; F41G 11/003
See application file for complete search history.

(56) **References Cited**

U.S. PATENT DOCUMENTS

D158,795 S * 5/1950 Powell 42/79
5,357,842 A * 10/1994 Reynolds F41A 21/36
89/14.3
5,367,940 A * 11/1994 Taylor F41A 21/36
89/14.3
D414,345 S * 9/1999 Barnholtz D5/53

6,126,688 A * 10/2000 McDonnell A61F 2/446
623/17.16
D435,884 S * 1/2001 Dehaan D21/572
6,820,530 B2 * 11/2004 Vais F41A 21/36
89/14.3

(Continued)

OTHER PUBLICATIONS

Stak 9mm, PSDmfg.com, [online], [site visited Dec. 14, 2017].
<URL: https://psdmfg.com/product/stak-9mm/> (Year: 2017).*

(Continued)

Primary Examiner — T Chase Nelson

Assistant Examiner — Jonathan J. Han

(74) *Attorney, Agent, or Firm* — Douglas Kim Law Firm, LLC; Douglas W. Kim; Seann P. Lahey

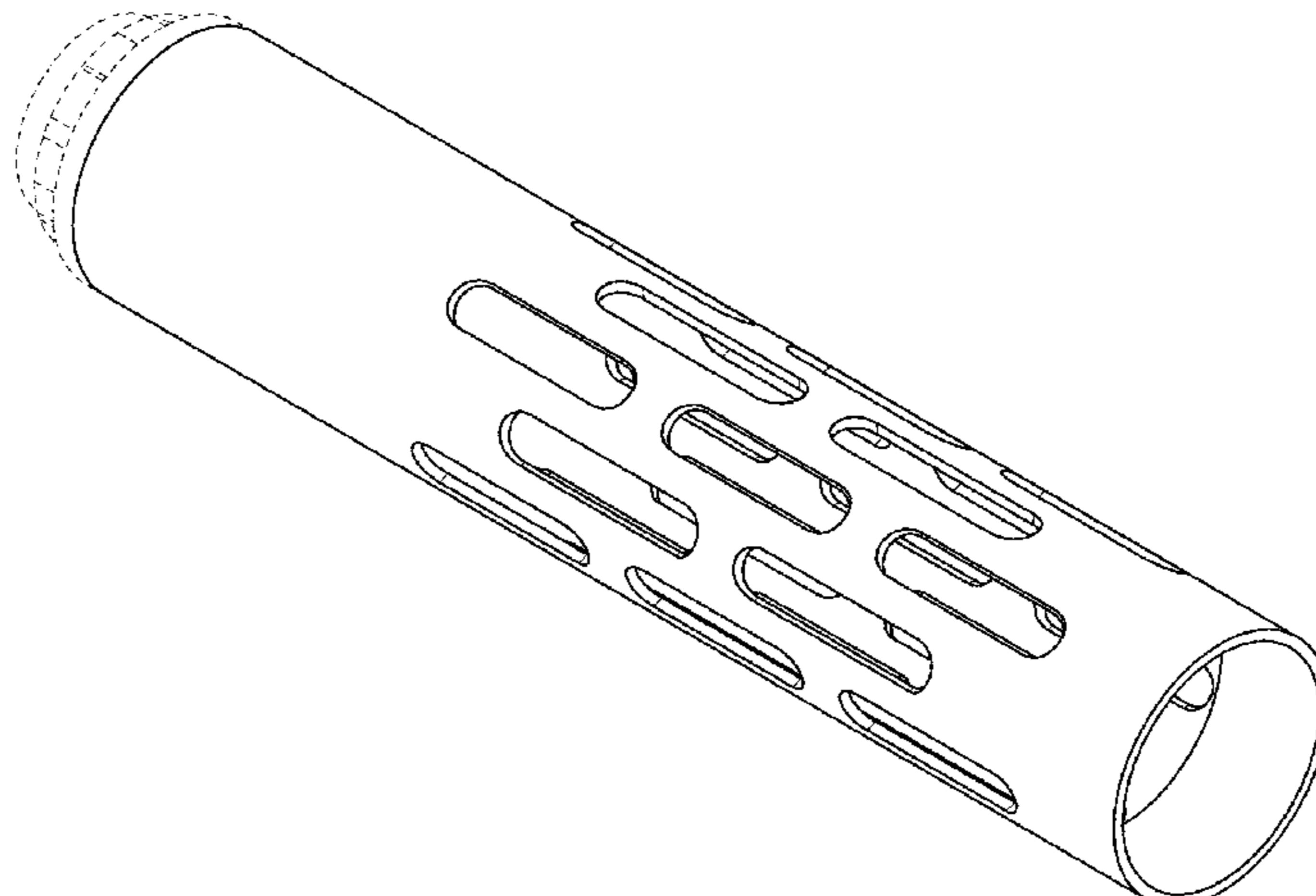
(57) **CLAIM**

The ornamental design for an outer tube for firearm suppressor, as shown and described.

DESCRIPTION

FIG. 1 is a front, left, top perspective view of the outer tube for firearm suppressor;
FIG. 2 is a front perspective view of the outer tube for firearm suppressor;
FIG. 3 is a rear perspective view of the outer tube for firearm suppressor;
FIG. 4 is a left elevation side view of the outer tube for firearm suppressor;
FIG. 5 is a right elevation side view of the outer tube for firearm suppressor;
FIG. 6 is a top plan view of the outer tube for firearm suppressor; and,
FIG. 7 is bottom plan view of the outer tube for firearm suppressor.
The broken line are used to show unclaimed portions and form no part of the claimed design.

1 Claim, 4 Drawing Sheets



(56)

References Cited

U.S. PATENT DOCUMENTS

6,836,990 B2 * 1/2005 Shiloni F41G 11/003
42/75.02
6,904,974 B2 * 6/2005 Slack E21B 43/086
166/207
D584,787 S 1/2009 Brittingham
7,987,944 B1 8/2011 Brittinham et al.
8,096,222 B2 1/2012 Silvers
8,292,025 B1 * 10/2012 Woodell F41A 21/30
181/223
8,424,635 B1 4/2013 Klawunn
8,479,632 B2 7/2013 Kline et al.
8,579,075 B2 11/2013 Brittinham et al.
8,695,474 B2 * 4/2014 Overbeek Bloem
F41A 21/325
89/14.2
8,807,272 B2 8/2014 Bladen
D720,031 S * 12/2014 Buffoni D22/108
D728,245 S * 5/2015 Haverfield D5/60
9,038,771 B1 5/2015 Mueller
D733,246 S * 6/2015 Wells D22/108
D733,882 S * 7/2015 Fregoso D24/152
9,103,610 B2 * 8/2015 Wilcox F41A 5/18
9,134,084 B1 * 9/2015 Harrison F41A 21/36
D740,940 S * 10/2015 Fregoso D24/152
D752,171 S * 3/2016 Chen D22/108
9,410,761 B2 8/2016 Morris et al.
D767,706 S 9/2016 Shults et al.
9,441,901 B1 * 9/2016 Harrison F41A 21/36
D768,255 S * 10/2016 Geissele D22/108
9,470,466 B2 10/2016 Washburn, III et al.
D771,216 S * 11/2016 Dubois D22/108

9,500,427 B1 11/2016 LaRue
9,513,078 B1 * 12/2016 Fulton F41A 21/30
9,683,801 B2 * 6/2017 Myers F41A 21/30
D802,699 S * 11/2017 Shults D22/108
2003/0106417 A1 * 6/2003 Vais F41A 21/36
89/14.3
2011/0271575 A1 * 11/2011 Overbeek Bloem
F41A 21/325
42/90
2014/0237881 A1 * 8/2014 Mack F41A 21/325
42/90
2014/0299405 A1 10/2014 Miller et al.
2015/0285576 A1 10/2015 Shults et al.
2016/0187093 A1 6/2016 Barret
2016/0273862 A1 * 9/2016 Schwartzkopf F41A 21/38

OTHER PUBLICATIONS

Stak 45, PSDmfg.com, [online], [site visited Dec. 14, 2017]. <URL: <https://psdmfg.com/product/stak-45/>> (Year: 2017).*

Republic Forge 1911 with PSD Suppressor, YouTube.com, Force Options Tactical Training Solutions, Published on Jul. 10, 2017, [online], [site visited Dec. 14, 2017]. <URL: https://www.youtube.com/watch?v=3P_YLXXi20I> (Year: 2017).*

Review: Gemtech ONE Suppressor, GunsAmerica.com, by Tom McHale on Mar. 5, 2016, [online], [site visited Dec. 14, 2017]. <URL: <https://www.gunsamerica.com/blog/review-gemtech-one-suppressor/>> (Year: 2016).*

MPA 308S Suppressor, MasterpieceArms.com, [online], [site visited Dec. 14, 2017]. <URL: <https://masterpiecearms.com/shop/mpa-308s-suppressor/>> (Year: 2017).*

* cited by examiner

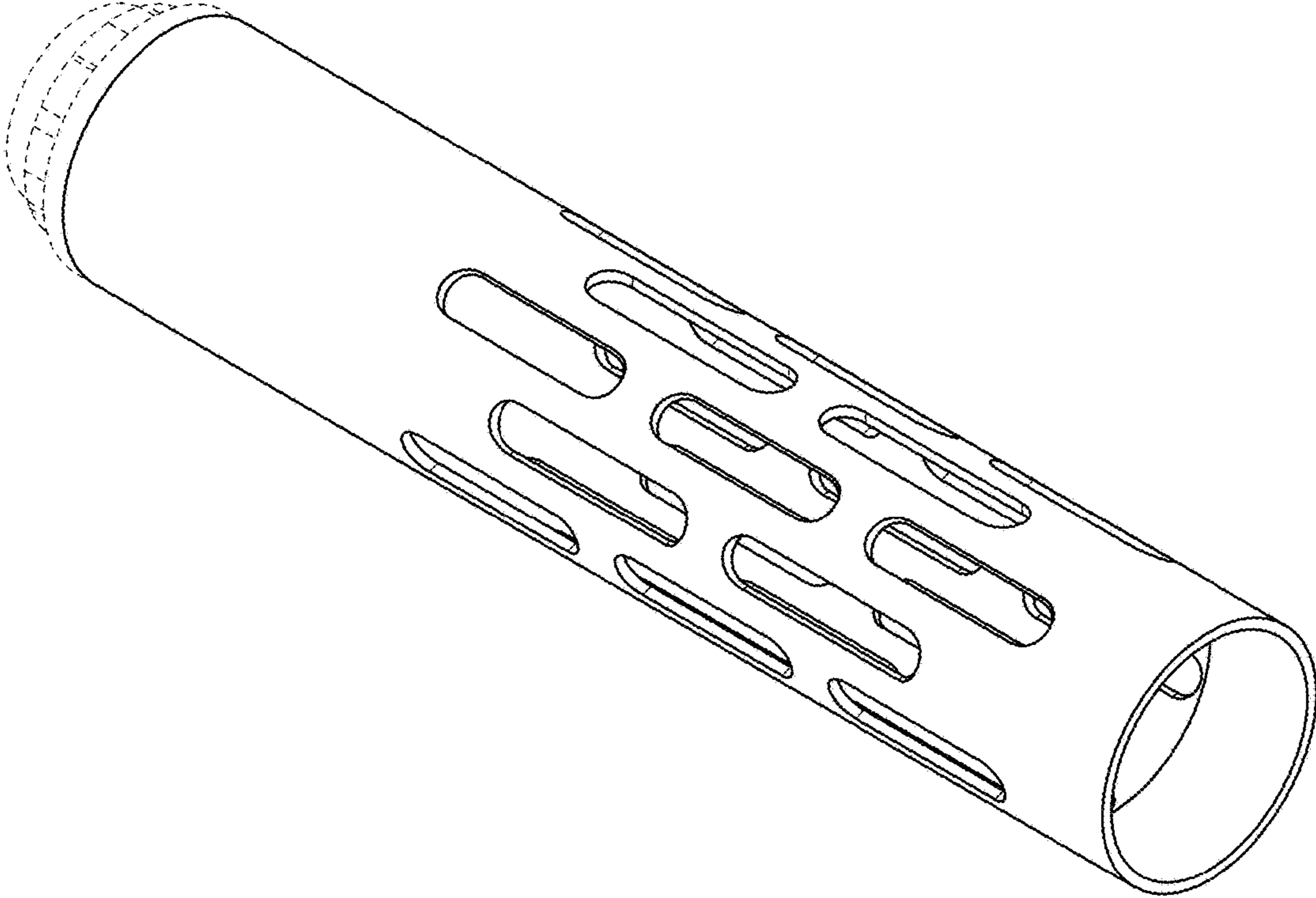


FIG. 1

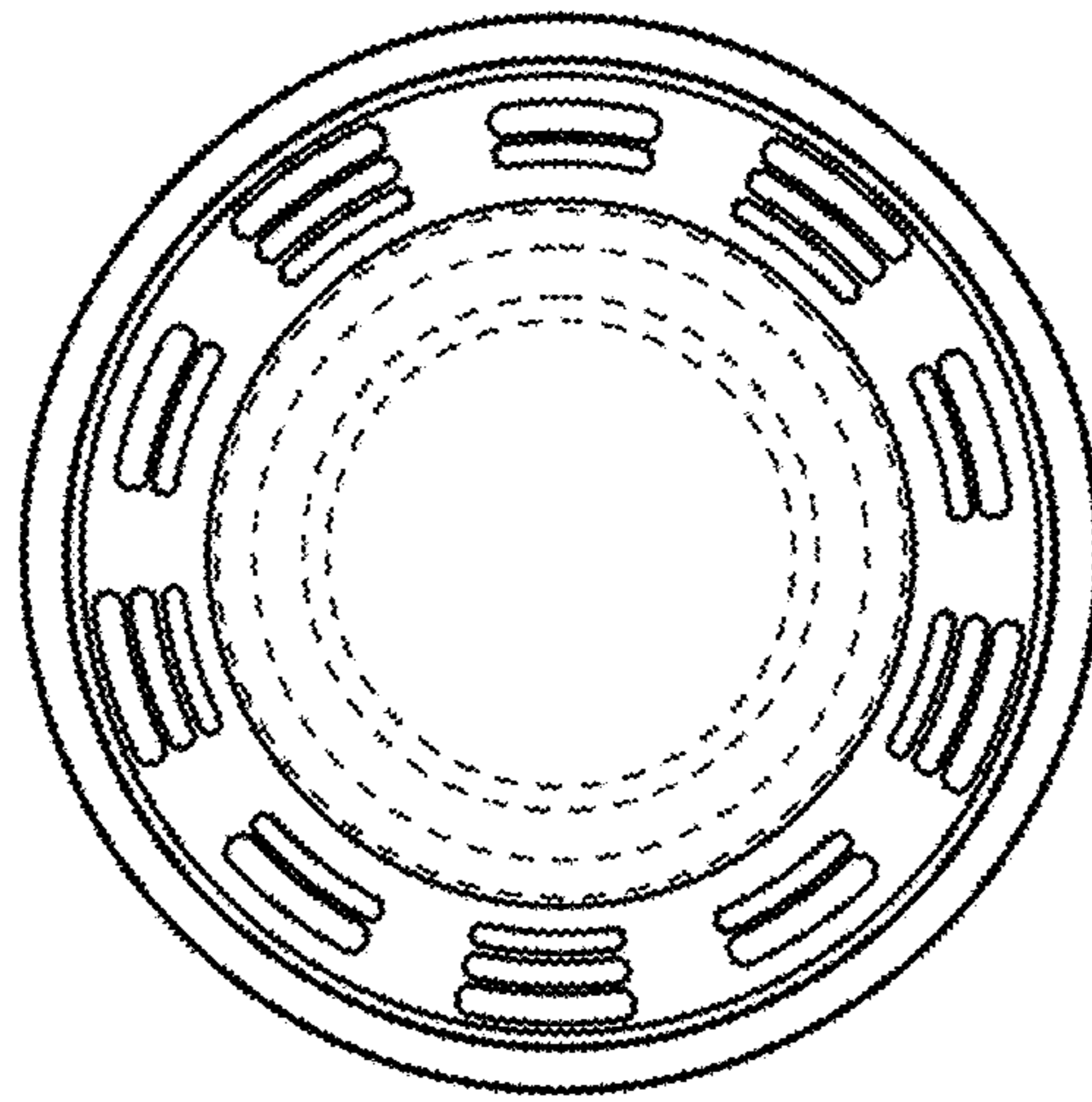


FIG. 2

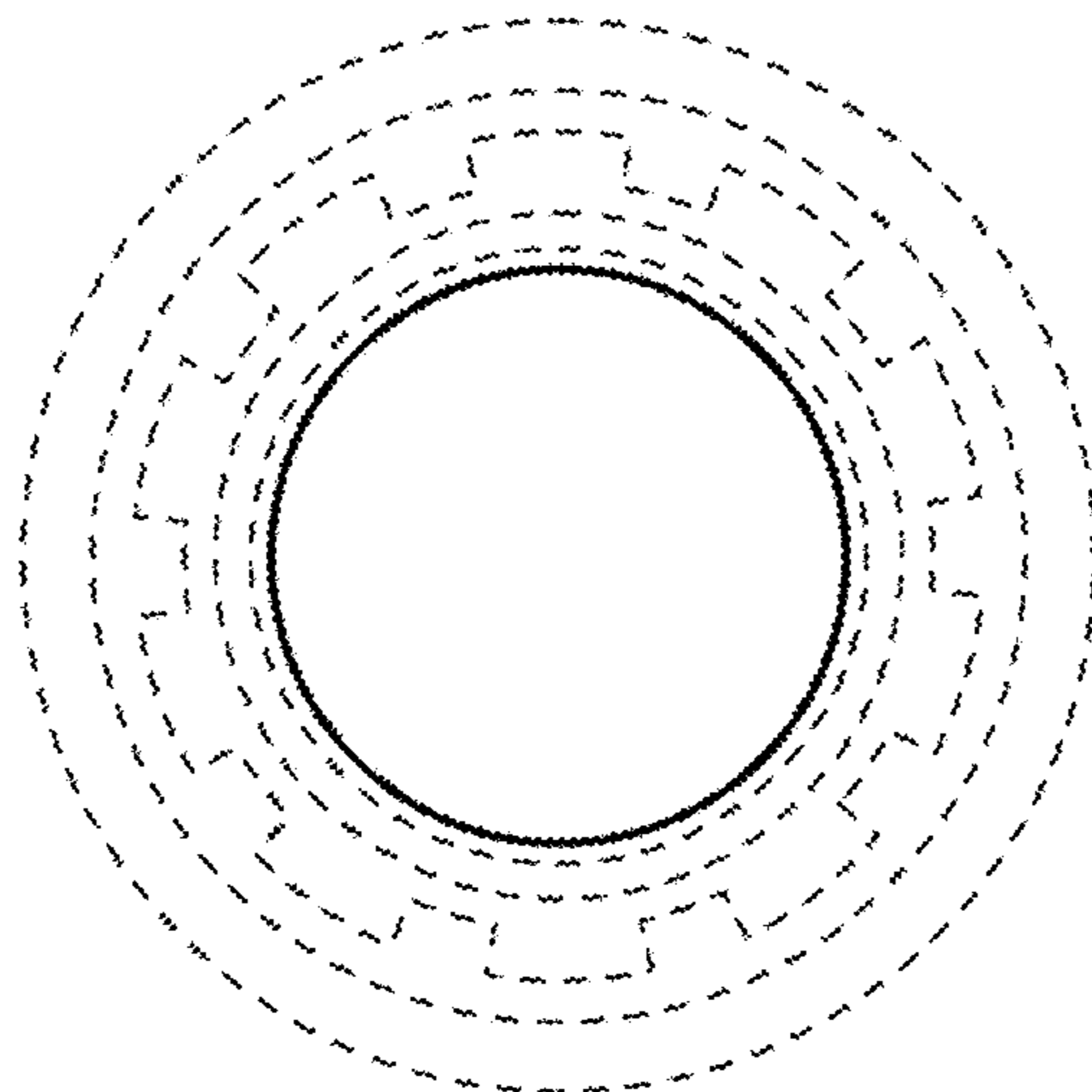


FIG. 3

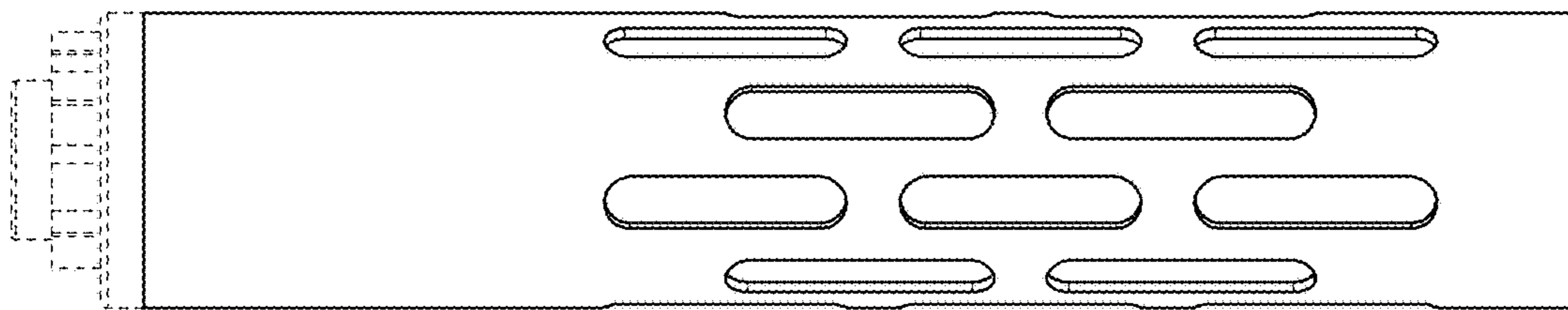


FIG. 4

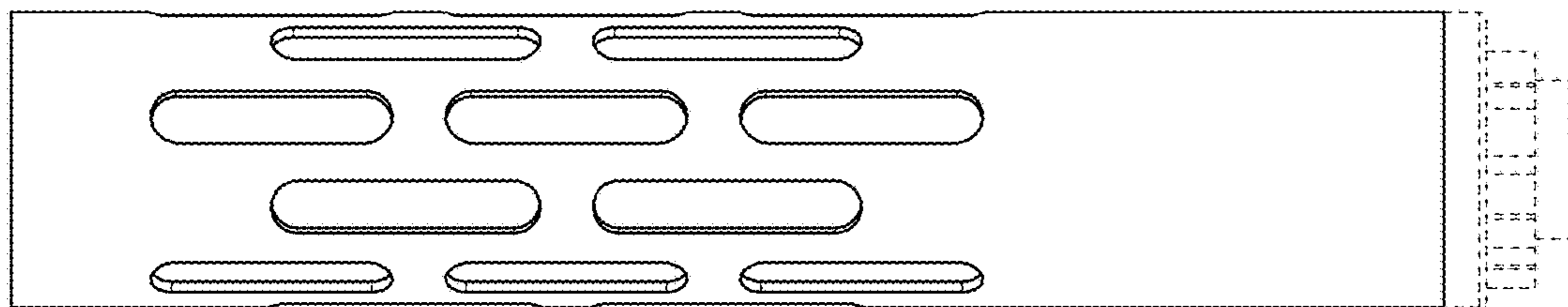


FIG. 5

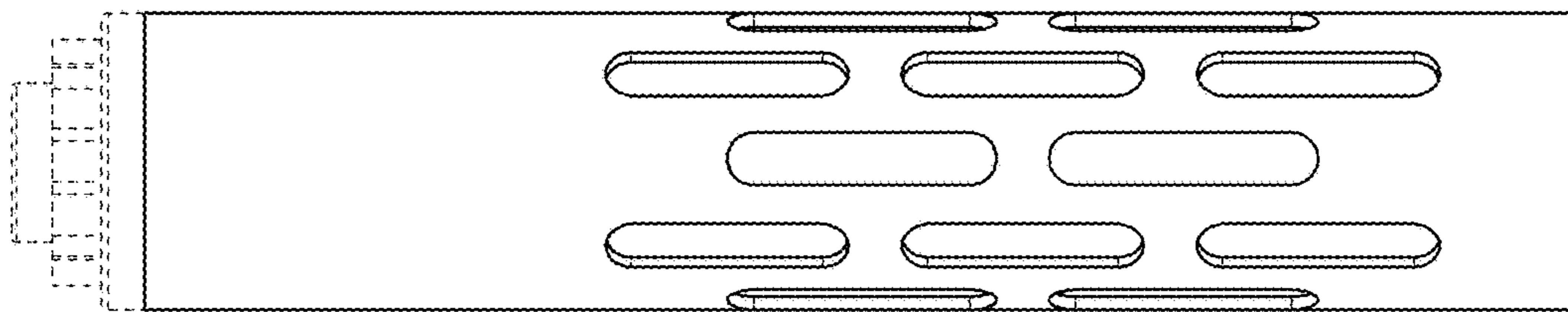


FIG. 6

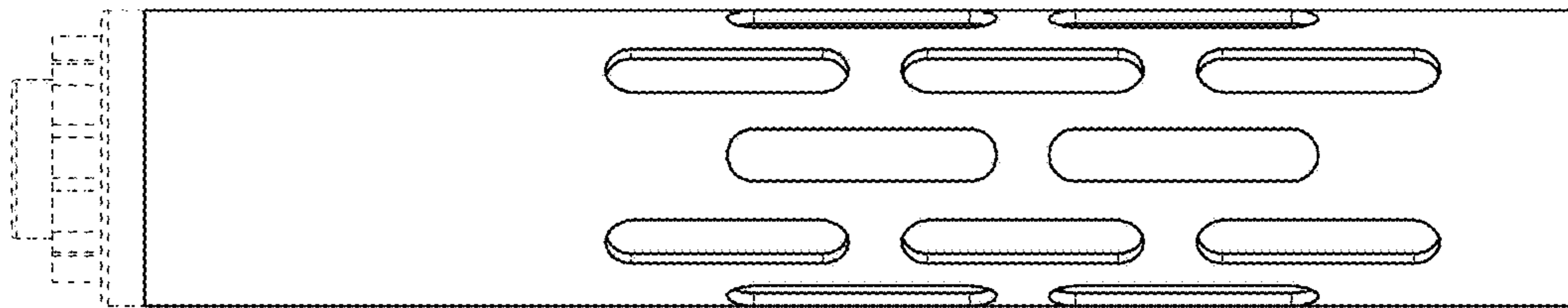


FIG. 7