



US00D839366S

(12) **United States Design Patent** (10) **Patent No.:** **US D839,366 S**
Piksa (45) **Date of Patent:** **** Jan. 29, 2019**

(54) **ABDOMINAL EXERCISE MACHINE**
(71) Applicant: **Thane IP Limited**, London (GB)
(72) Inventor: **Jelenko Piksa**, Toronto (CA)
(73) Assignee: **Thane IP Limited**, London (GB)

D525,324 S * 7/2006 Siwiec D21/674
D526,032 S * 8/2006 Wu D21/673
7,134,989 B2 * 11/2006 Liao A61H 1/003
482/142
D574,448 S * 8/2008 Webber D21/673
(Continued)

(**) Term: **15 Years**
(21) Appl. No.: **29/597,320**

FOREIGN PATENT DOCUMENTS
EM 0003099191-0001 5/2016
EM 0003099191-0002 5/2016

(22) Filed: **Mar. 16, 2017**
(51) **LOC (11) Cl.** **21-02**
(52) **U.S. Cl.**
USPC **D21/687**
(58) **Field of Classification Search**
USPC 482/92, 93, 94, 95, 96, 97, 99, 100, 133,
482/135, 138, 140, 142; D21/662, 673,
D21/674, 675, 676, 679, 681, 686, 687,
D21/690, 691
CPC A63B 2225/093; A63B 22/16; A63B
23/0211; A63B 21/0004; A63B 21/4047;
A63B 21/4039; A63B 2208/029; A63B
9/00
See application file for complete search history.

OTHER PUBLICATIONS
Amazon, "Ab Doer 360 . . .", May 1, 2017. https://www.amazon.com/Transform-Abdobics-Exercise-Nutrition-Guidebook/dp/B06W2LFB9V/ref=cm_cr_arp_d_product_top?ie=UTF8. (Year: 2017).*

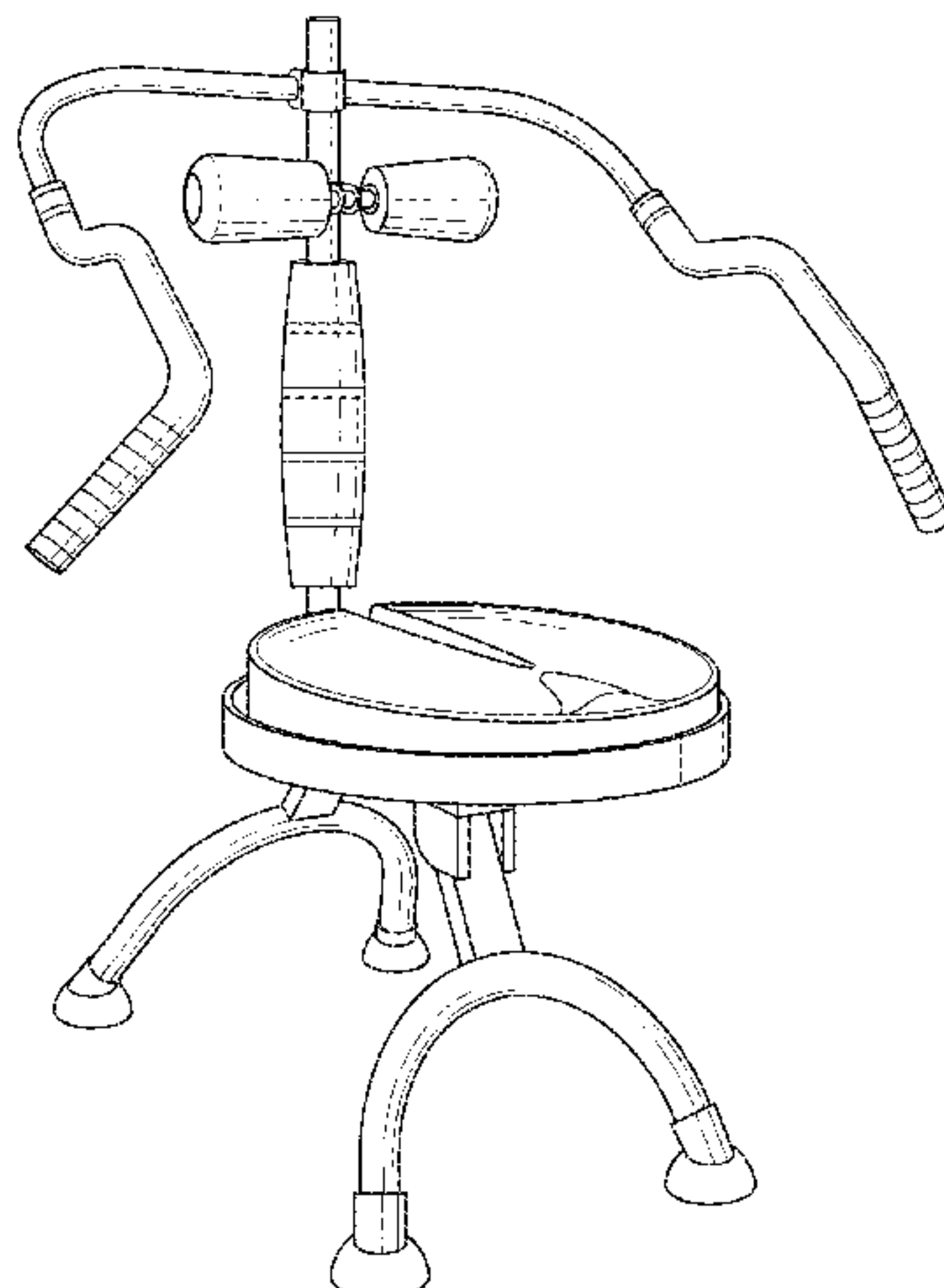
Primary Examiner — Cynthia Ramirez
Assistant Examiner — Michael A Maharajh
(74) *Attorney, Agent, or Firm* — Intellectual Property Law Offices of Joel Voelzke, APC

(57) **CLAIM**
The ornamental design for an abdominal exercise machine, as shown and described.

(56) **References Cited**
U.S. PATENT DOCUMENTS
D367,901 S * 3/1996 Real D21/676
D370,241 S * 5/1996 Real D21/690
D379,483 S * 5/1997 England D21/676
D390,290 S * 2/1998 Van Der Hoeven D21/676
D404,444 S * 1/1999 Sands D21/676
6,022,303 A 2/2000 Abdo
D432,600 S * 10/2000 Szabo D21/662
6,248,047 B1 6/2001 Abdo
D452,719 S * 1/2002 Lin D21/673
6,491,611 B1 * 12/2002 Stearns A63B 21/0552
482/140
D476,384 S * 6/2003 Perez D21/687
D478,137 S * 8/2003 Ho D21/690
D502,230 S * 2/2005 Chen D21/676

DESCRIPTION
FIG. 1 is a perspective view of an abdominal exercise machine showing my new design;
FIG. 2 is a front elevation view thereof;
FIG. 3 is a rear elevation view thereof;
FIG. 4 is a side elevation view thereof, showing the right side;
FIG. 5 is a side elevation view thereof, showing the left side;
FIG. 6 is a top plan view thereof; and,
FIG. 7 is a bottom plan view thereof.
The broken lines shown in the figures are for the purposes of illustrating portions of the abdominal exercise machine, which form no part of the claimed design.

1 Claim, 5 Drawing Sheets



(56)

References Cited

U.S. PATENT DOCUMENTS

D574,449 S * 8/2008 Webber D21/675
7,476,188 B2 * 1/2009 Perez, Jr. A63B 23/0211
482/140
D639,873 S * 6/2011 Abdo D21/676
D649,205 S * 11/2011 Zachary D21/676
D703,280 S * 4/2014 Ho D21/687
D719,224 S * 12/2014 Ho D21/687
D728,709 S * 5/2015 Ho D21/687
D730,457 S * 5/2015 Ho D21/687
D732,119 S * 6/2015 Ho D21/687
D741,421 S * 10/2015 Ho D21/687
D743,494 S * 11/2015 Ho D21/687
9,220,939 B2 * 12/2015 Chen A63B 21/4031
D776,768 S * 1/2017 Ho D21/687
9,789,347 B2 * 10/2017 Lalaoua A63B 21/0442

* cited by examiner

FIG. 1

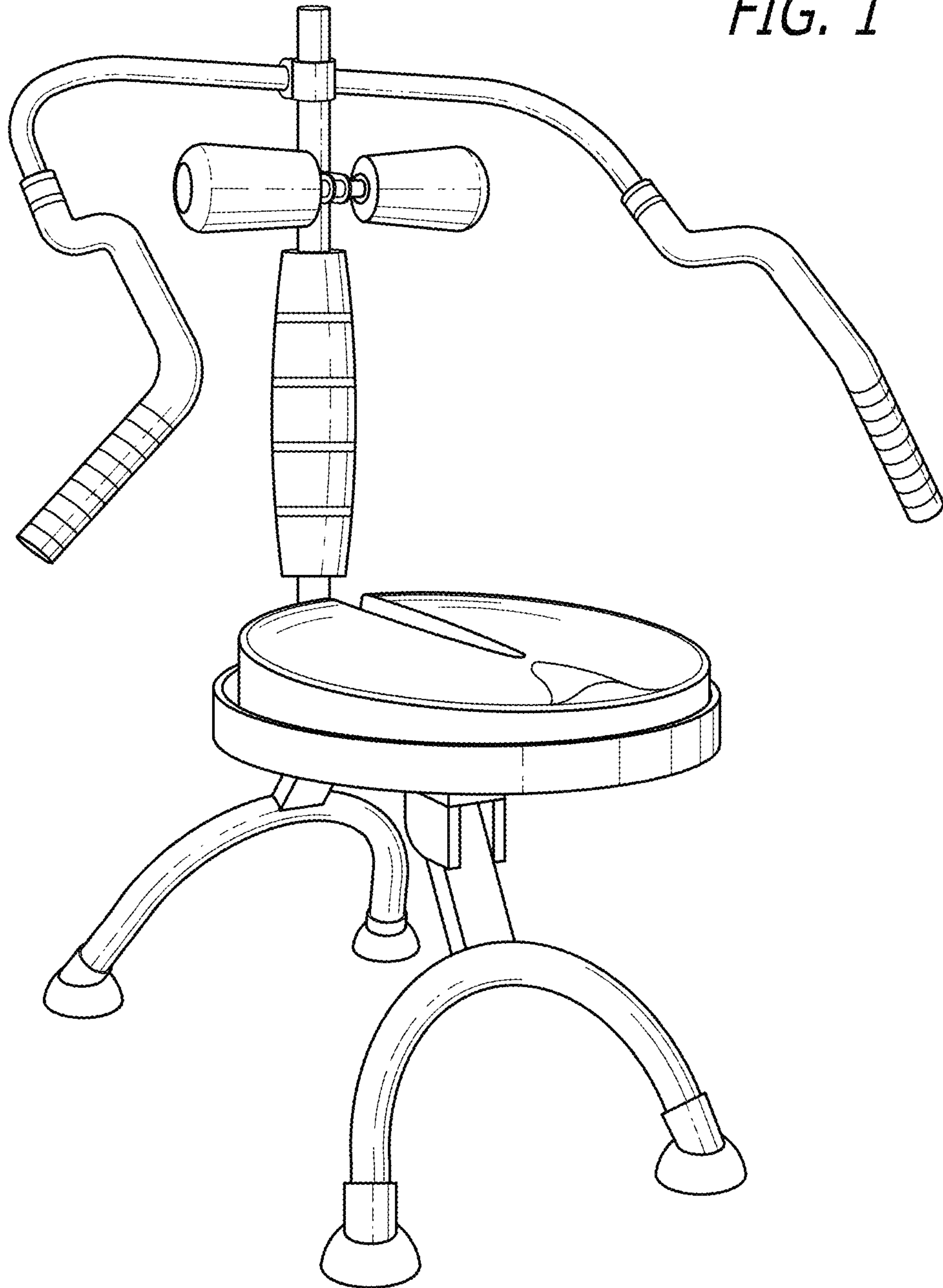


FIG. 2

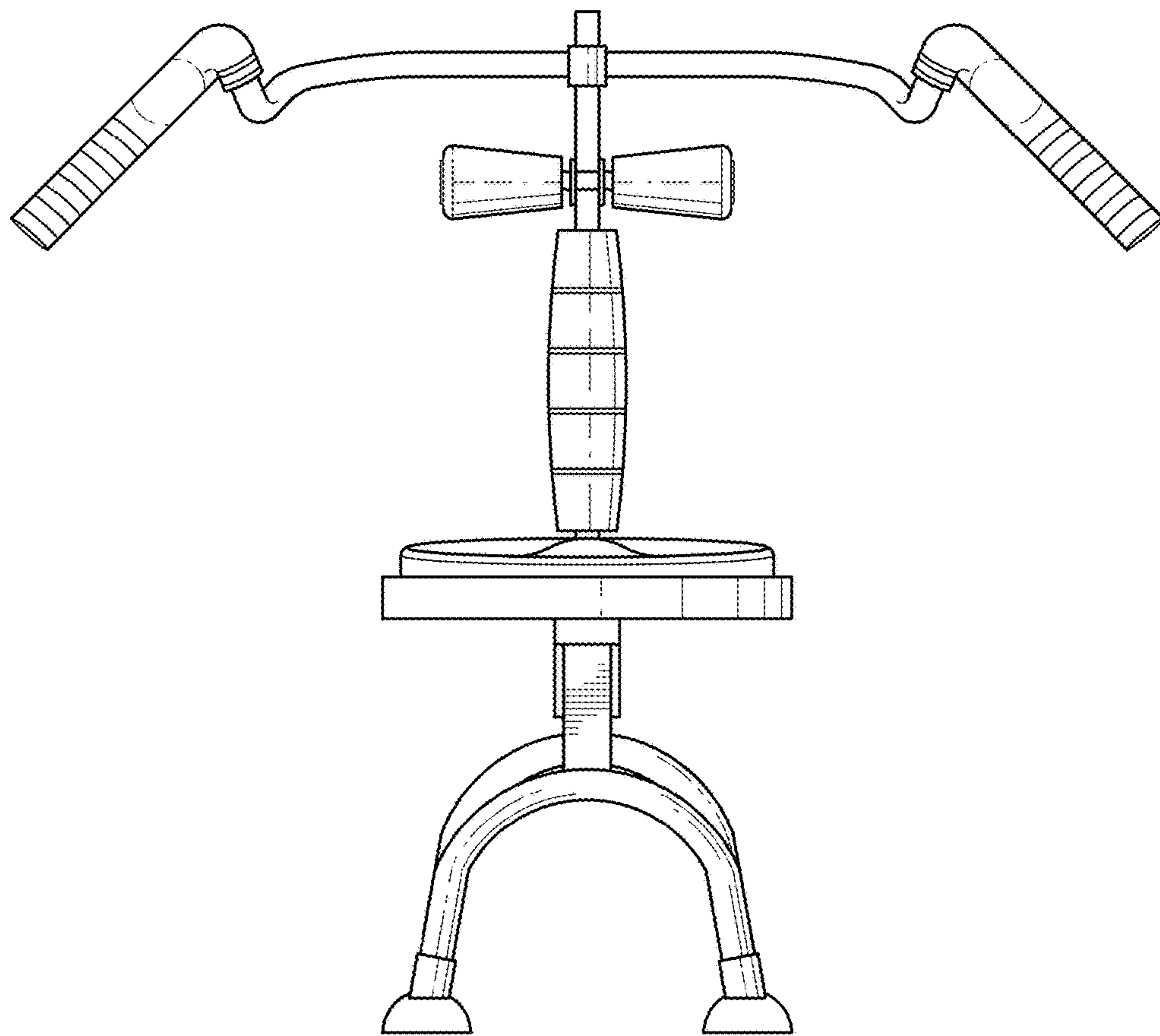
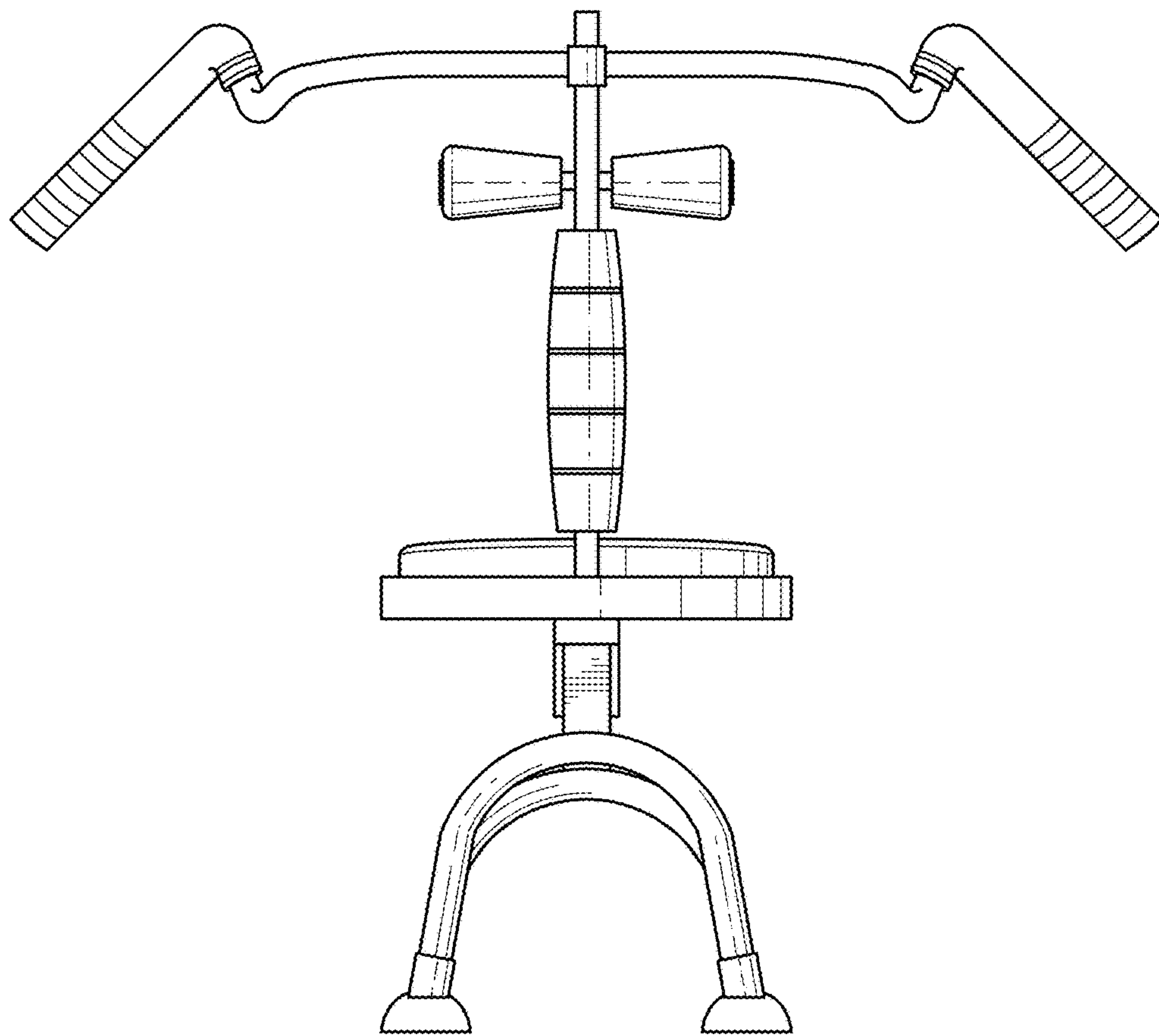


FIG. 3



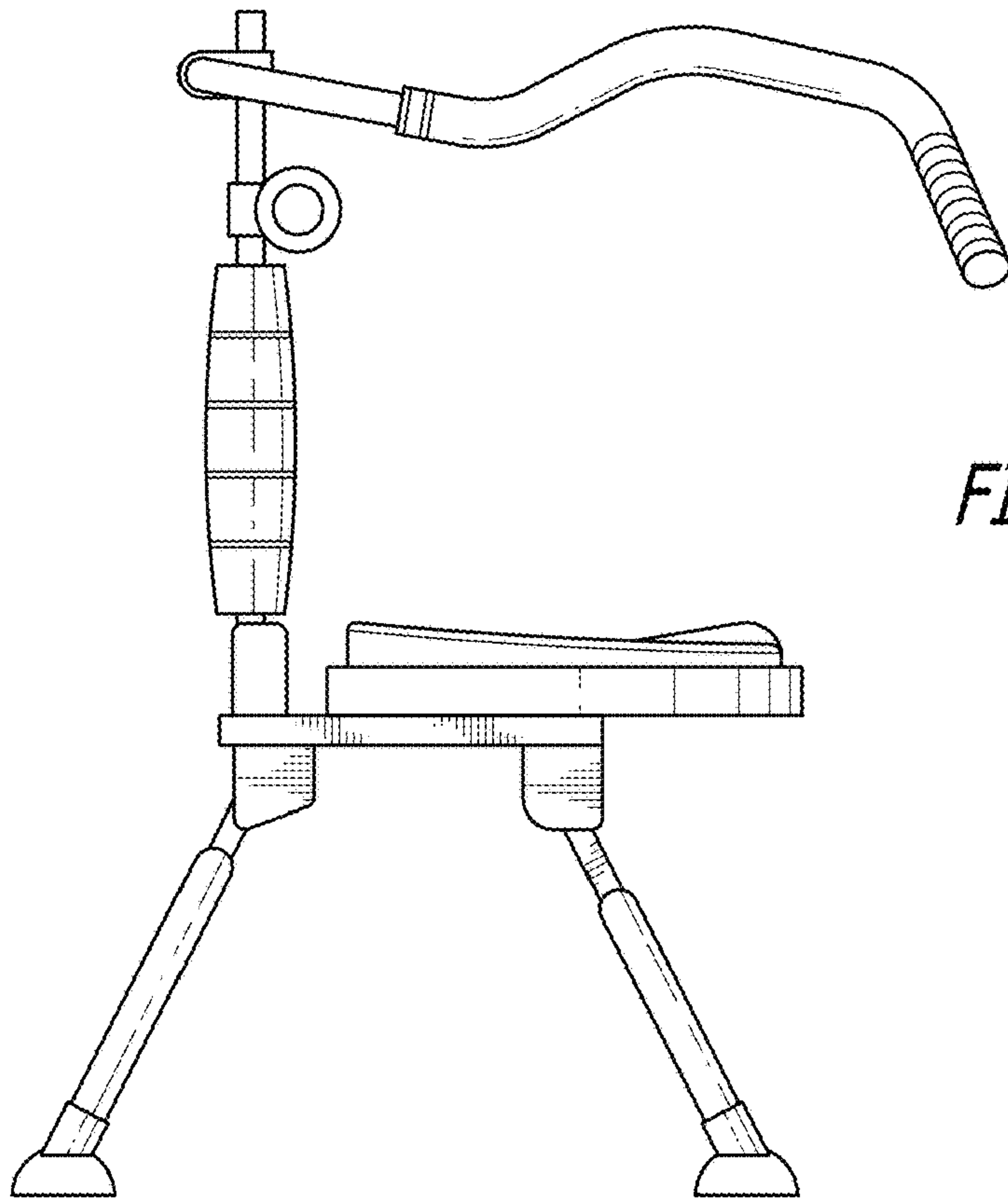


FIG. 4

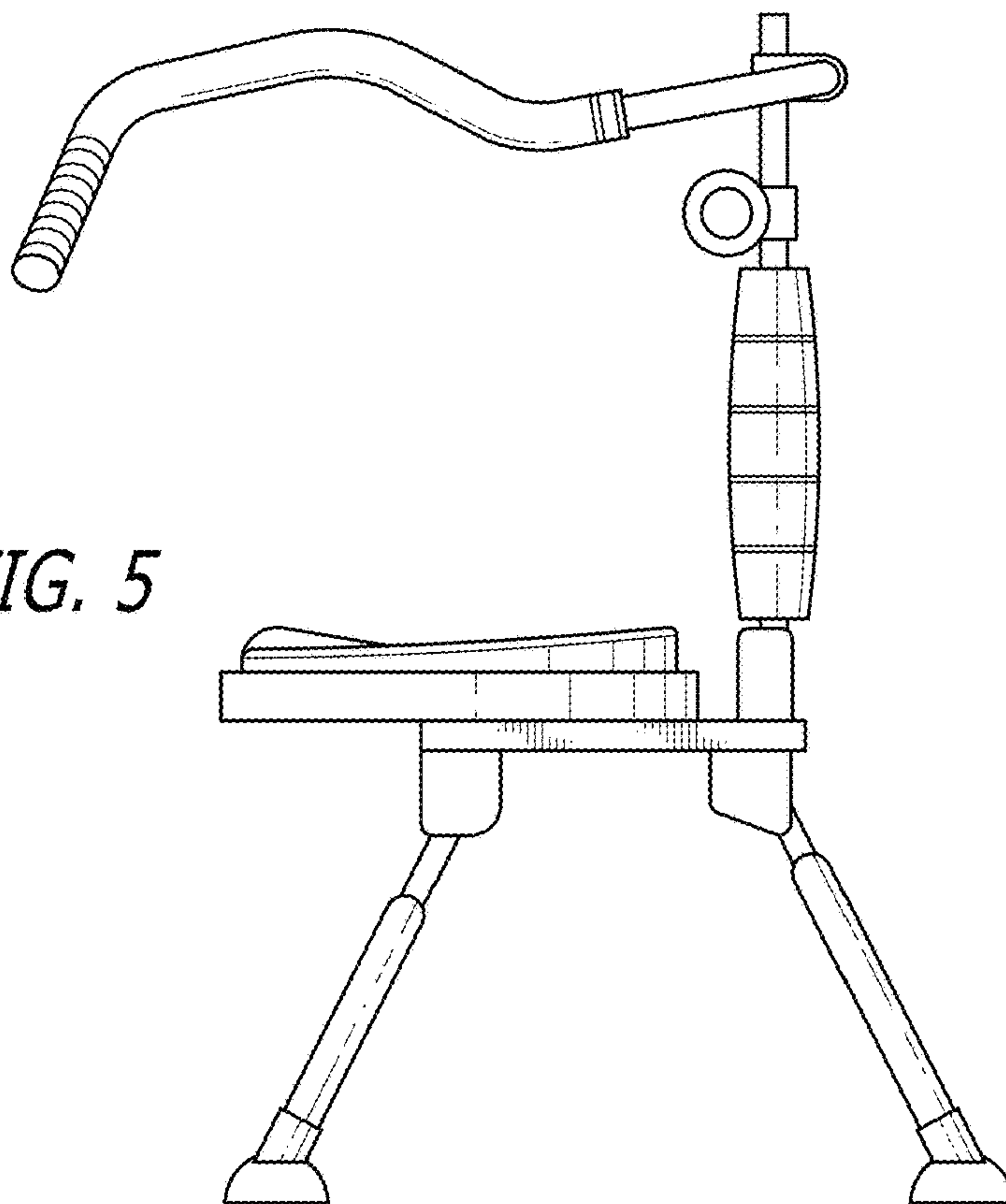


FIG. 5

