



US00D839362S

(12) **United States Design Patent**
Lederer

(10) **Patent No.:** **US D839,362 S**

(45) **Date of Patent:** **** Jan. 29, 2019**

(54) **SPINNER**

(71) Applicant: **Prime Resources Corp.**, Bridgeport,
CT (US)

(72) Inventor: **Jeffrey Lederer**, Greenwich, CT (US)

(73) Assignee: **BRODER BROS., CO.**, Trevese, PA
(US)

(**) Term: **15 Years**

(21) Appl. No.: **29/619,953**

(22) Filed: **Oct. 3, 2017**

(51) **LOC (11) Cl.** **21-01**

(52) **U.S. Cl.**
USPC **D21/455**; D8/34

(58) **Field of Classification Search**

USPC D21/331–333, 468, 475, 476, 477, 512,
D21/513, 516, 517, 455, 460, 461–464,
D21/566; D3/208–211; D11/2, 79;
D19/123, 127, 128, 130, 136, 156, 189,
D19/202, 95, 100, 59, 60; D10/2, 30, 31,
D10/37, 38, 40, 41, 46, 46.1, 53, 62, 72,
D10/97, 104.2, 106.1, 106.9, 114.9,
D10/116.1; D26/37, 38, 46, 51, 53, 54;
D28/77, 79; 446/143, 144, 227, 233–236,
446/397, 487, 489, 491; D14/357, 358,
D14/388, 400, 401, 412, 415–417, 426,
D14/454, 455, 480.3, 480.6, 484,
D14/507–510, 138 R, 138 AA, 138 AB,
D14/138 AC, 138 AD, 168, 203.1, 203.2,
D14/203.4, 226, 252, 218; D8/33, 34
CPC A63H 1/00–1/32; A63H 33/00; A63H
33/006; A63H 33/26; A63H 33/30; A63H
33/3016; A63H 33/3027; A63H 33/3033;

(Continued)

(56) **References Cited**

U.S. PATENT DOCUMENTS

2,021,472 A * 11/1935 Woge A63H 1/32
473/512
2,507,570 A * 5/1950 Jensen A63F 5/04
273/141 R

(Continued)

FOREIGN PATENT DOCUMENTS

CN 304222340 * 7/2017
CN 304254150 * 8/2017

(Continued)

Primary Examiner — Catherine A Tuttle

(74) *Attorney, Agent, or Firm* — Myers Wolin, LLC

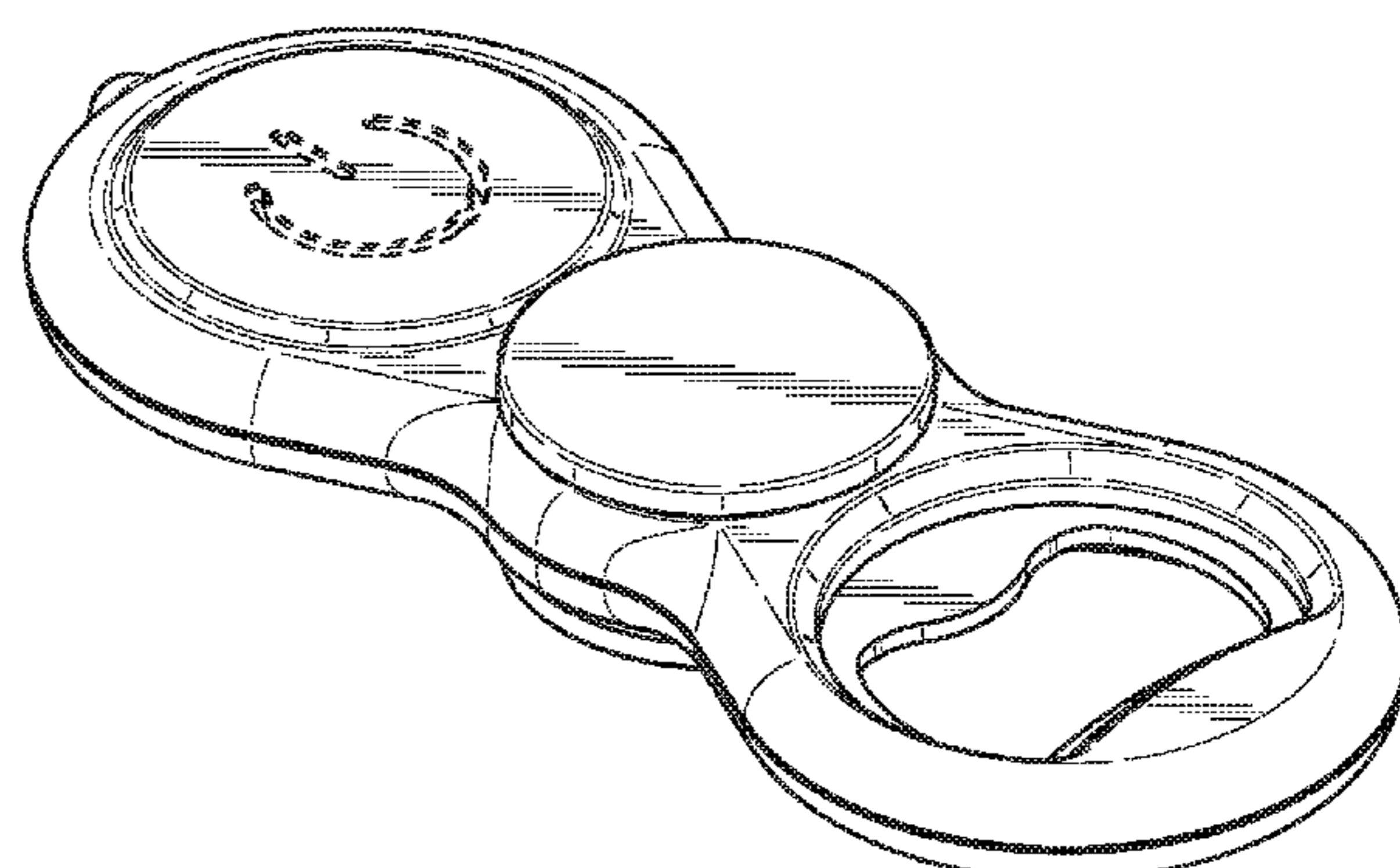
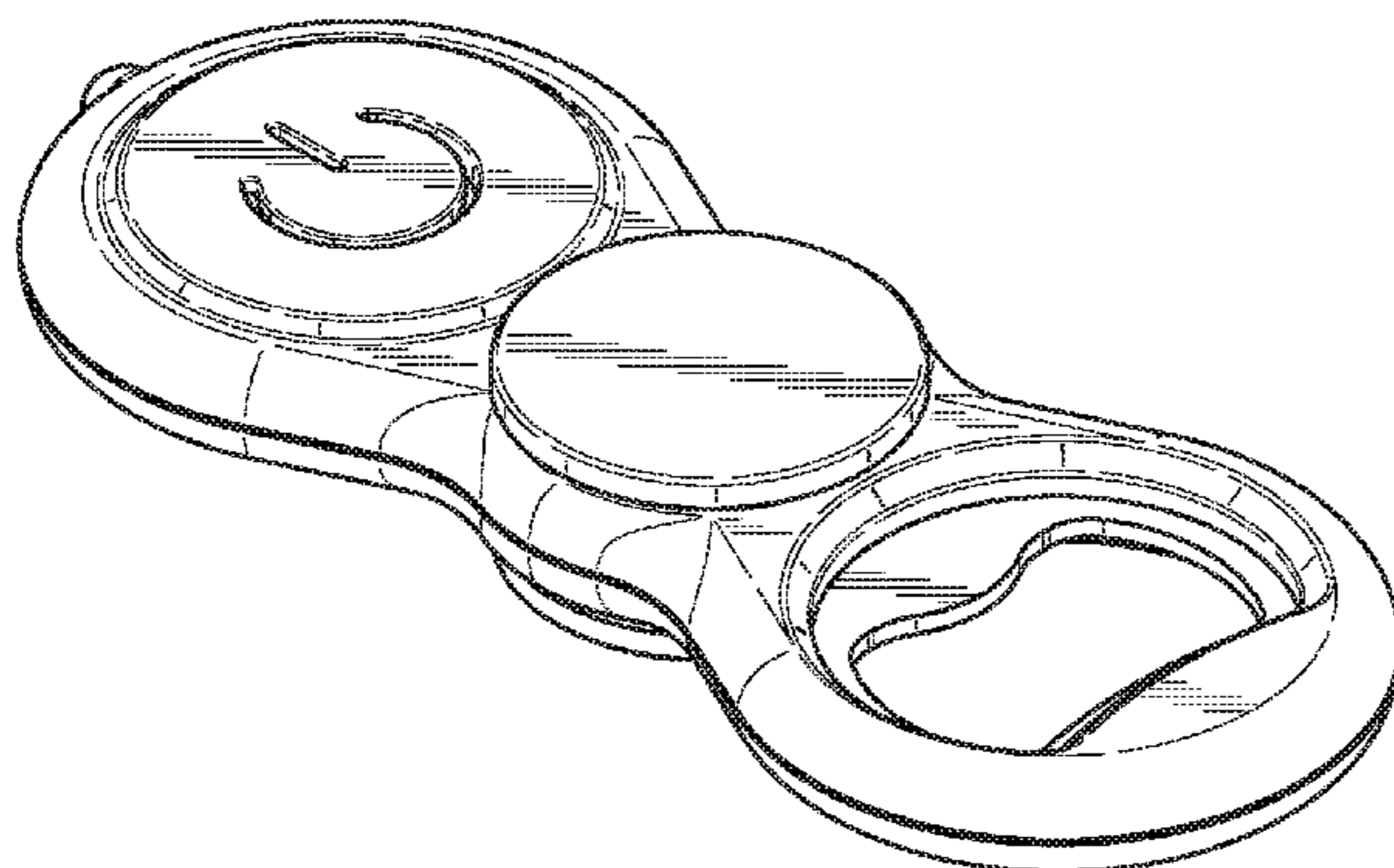
(57) **CLAIM**

The ornamental design for a spinner, as shown and described.

DESCRIPTION

FIG. 1 is a top perspective view of one embodiment of a spinner showing my new design;
FIG. 2 is a bottom perspective view thereof;
FIG. 3 is a top plan view thereof;
FIG. 4 is a front elevational view thereof;
FIG. 5 is a bottom plan view thereof;
FIG. 6 is a left side elevational view thereof;
FIG. 7 is a right side elevational view thereof;
FIG. 8 is a rear elevational view thereof;
FIG. 9 is a top perspective view showing an alternate embodiment of my new design for the spinner;
FIG. 10 is a bottom perspective view thereof;
FIG. 11 is a top plan view thereof;
FIG. 12 is a front elevational view thereof;
FIG. 13 is a bottom plan view thereof;
FIG. 14 is a left side elevational view thereof;
FIG. 15 is a right side elevational view thereof; and,
FIG. 16 is a rear elevational view thereof.

(Continued)



The broken lines in FIGS. 9 and 11 represent the feature that forms no part of the claim to the embodiment in which they are shown.

1 Claim, 4 Drawing Sheets

(58) **Field of Classification Search**

CPC A63H 33/3066; A63H 33/3072; A63H 33/42; A63H 5/00; A63F 9/001; A63F 2009/0018; A63F 2009/002; A63F 2009/0021; A63F 2009/0023; A63F 2009/0024; A63F 2009/0026; A63F 2009/0027; A63F 2009/0029; A63F 2009/003; A63F 2009/0047; A63F 2009/0049; A63F 2009/0052; A63F 2009/0061; A63F 2009/0063; A63F 2009/0069; A63F 2009/0072; A63F 2009/2402-2009/2441; A63F 2003/00268; A63F 2003/00274; A63F 2003/00287; A63F 11/0011; A63F 11/0051; A63F 2011/0016; A63F 2011/0072

See application file for complete search history.

(56) **References Cited**

U.S. PATENT DOCUMENTS

D187,478 S * 3/1960 Parrilla D21/455
 3,220,142 A * 11/1965 Butterfield A63H 33/18
 446/46
 3,337,984 A * 8/1967 Tomasello A63H 1/00
 446/138
 4,227,342 A * 10/1980 Knowles A63F 9/06
 273/454

5,067,923 A * 11/1991 de Bourbon A63H 33/18
 434/258
 5,906,529 A * 5/1999 Spais A63B 65/08
 446/36
 6,149,492 A * 11/2000 Davis, Jr. A01M 31/004
 446/202
 D450,358 S * 11/2001 Yamazaki D21/517
 D519,010 S * 4/2006 Oas D8/34
 D527,712 S * 9/2006 Indio da Costa D13/168
 D708,974 S * 7/2014 Dauwalter, III D10/104.1
 D739,194 S * 9/2015 Kieu D8/34
 D801,440 S * 10/2017 Pavelsky D21/455
 9,895,620 B1 * 2/2018 Walterscheid A63H 1/00
 9,914,063 B1 * 3/2018 McCoskery A63H 29/08
 9,950,556 B1 * 4/2018 Laemle B43K 29/00
 10,016,693 B1 * 7/2018 Dowdy A63H 33/003
 2012/0135666 A1 * 5/2012 Rosenzweig A63H 1/32
 446/242
 2013/0225036 A1 * 8/2013 Kaye A63H 1/00
 446/233
 2014/0261352 A1 * 9/2014 Loetz A63F 9/0278
 124/18
 2017/0326468 A1 * 11/2017 Kinmont, Jr. A63H 33/26

FOREIGN PATENT DOCUMENTS

CN 304293718 * 9/2017
 CN 304293870 * 9/2017
 CN 304306579 * 10/2017
 CN 304322551 * 10/2017
 DE 469000 C * 12/1928 A63H 1/00
 DE 202017103662 U1 * 9/2017 A63H 1/00
 DE 202017003972 U1 * 12/2017 A63H 1/00
 EM 003842152-0001 * 4/2017
 EM 004016657-0009 * 5/2017
 EM 004023943-0011 * 6/2017
 EM 004151819-0001 * 8/2017
 FR 1063989 A * 5/1954 A63H 1/32
 GB 1024327 * 7/1985

* cited by examiner

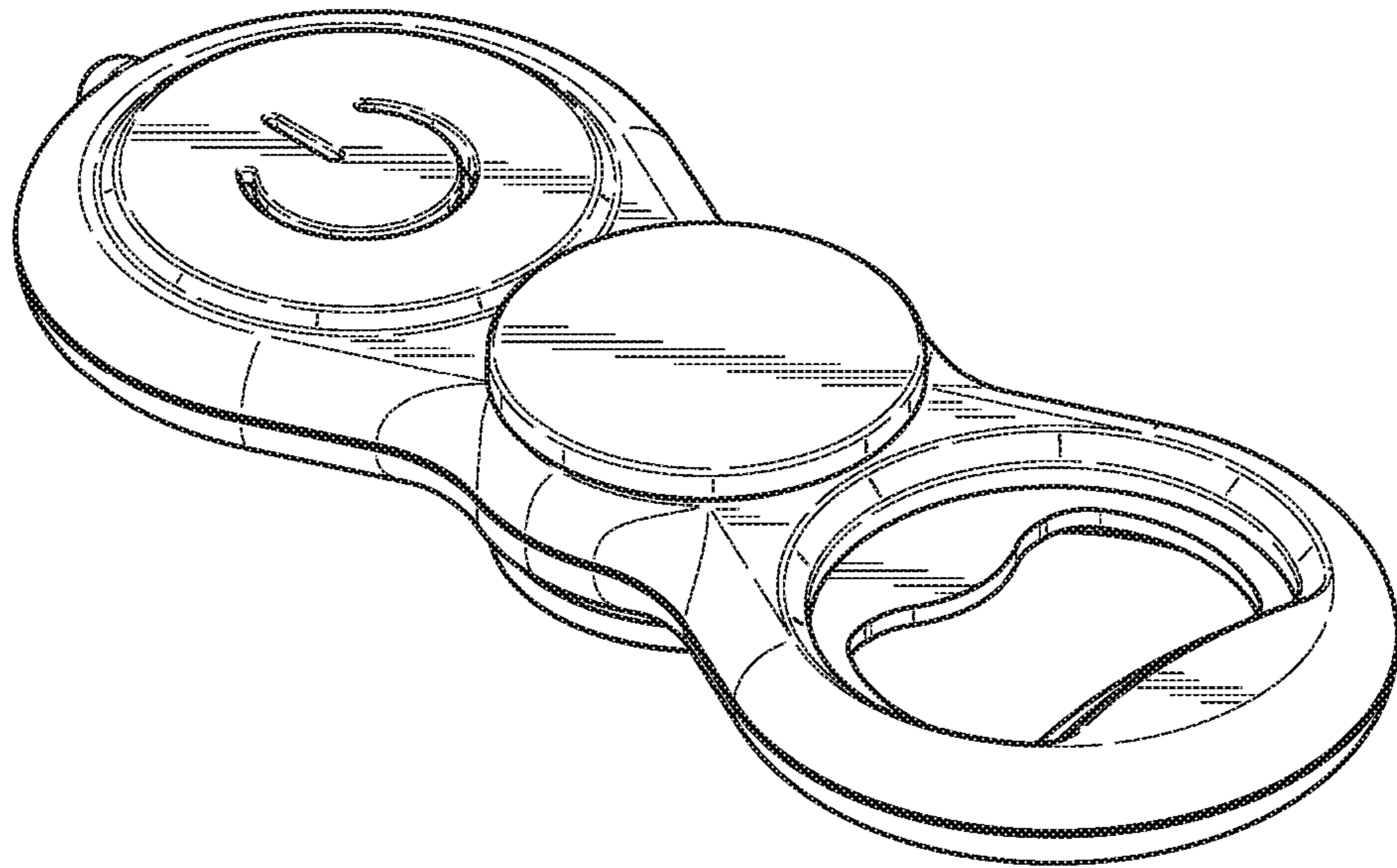


FIG. 1

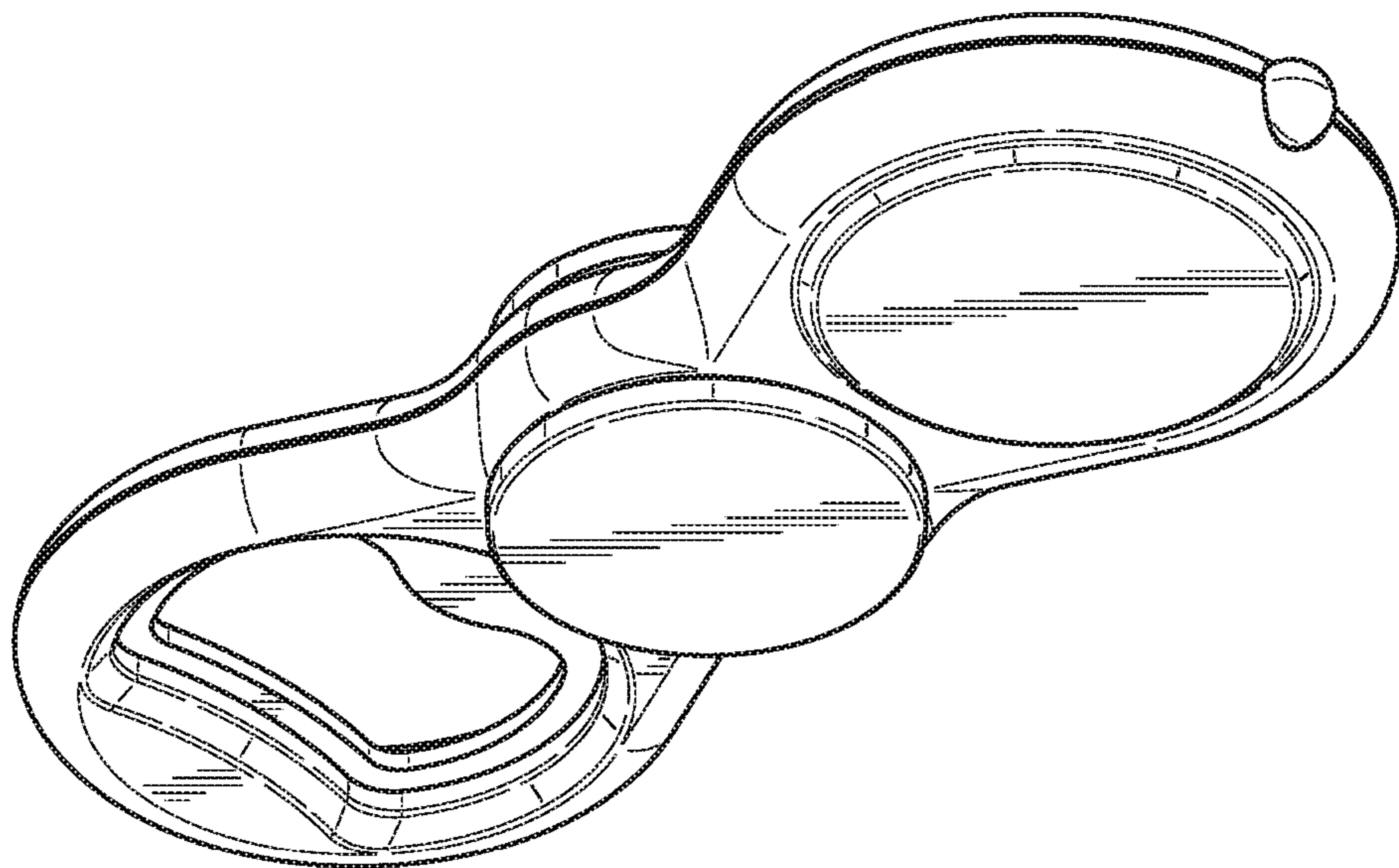


FIG. 2

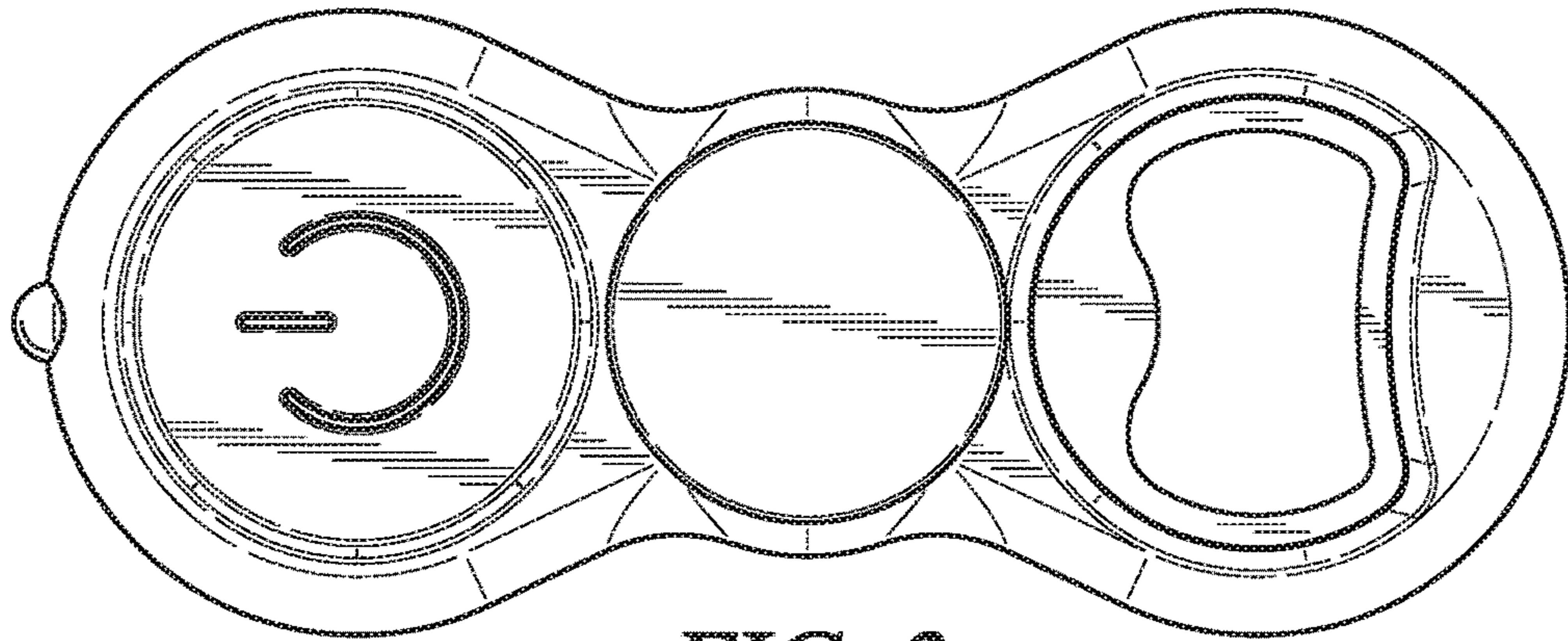


FIG. 3

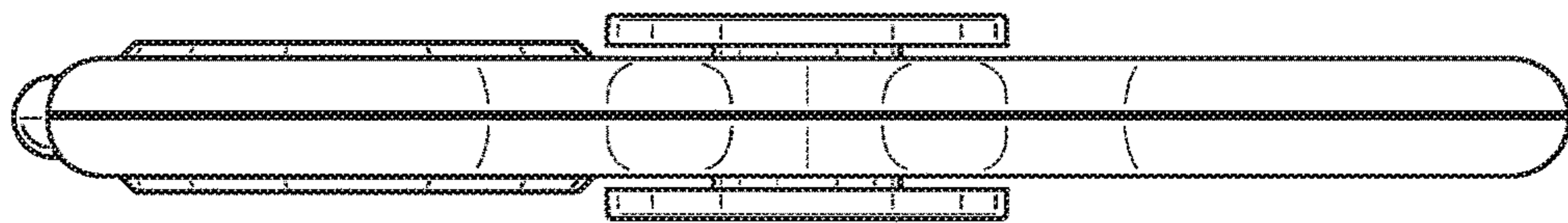


FIG. 4

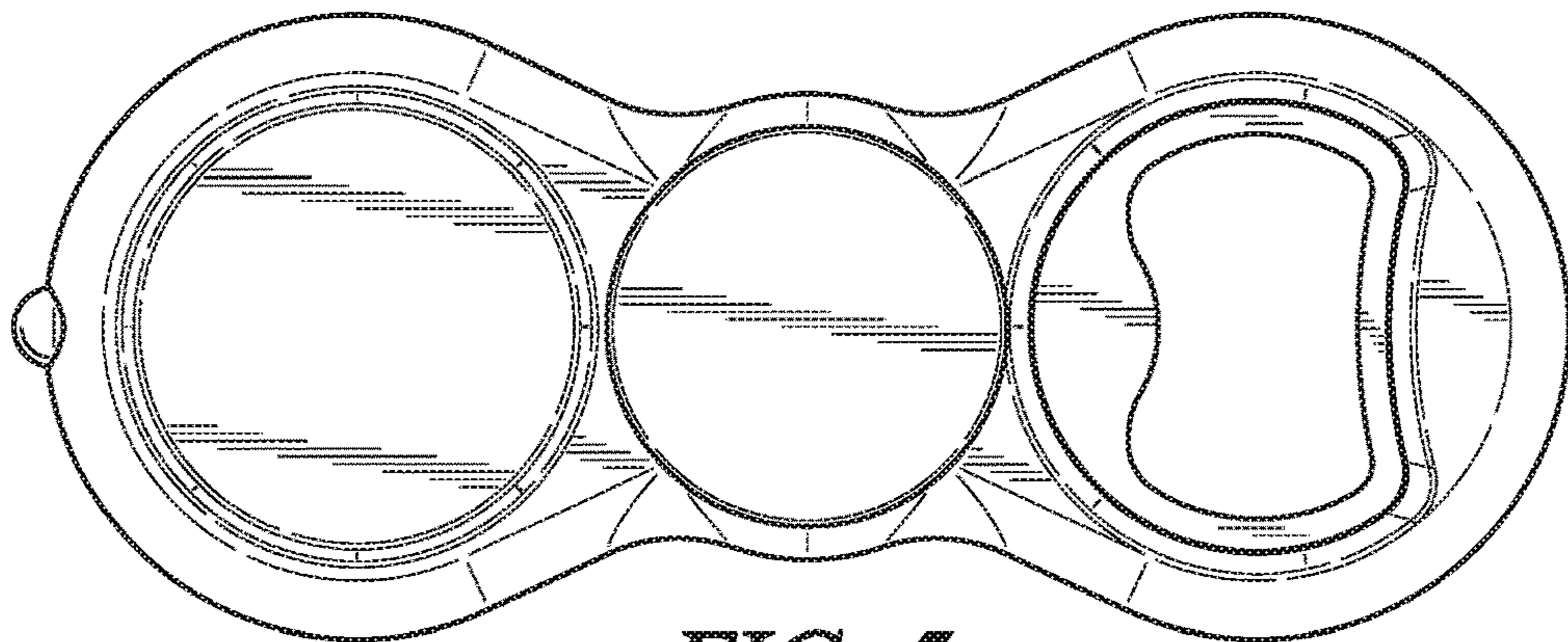


FIG. 5

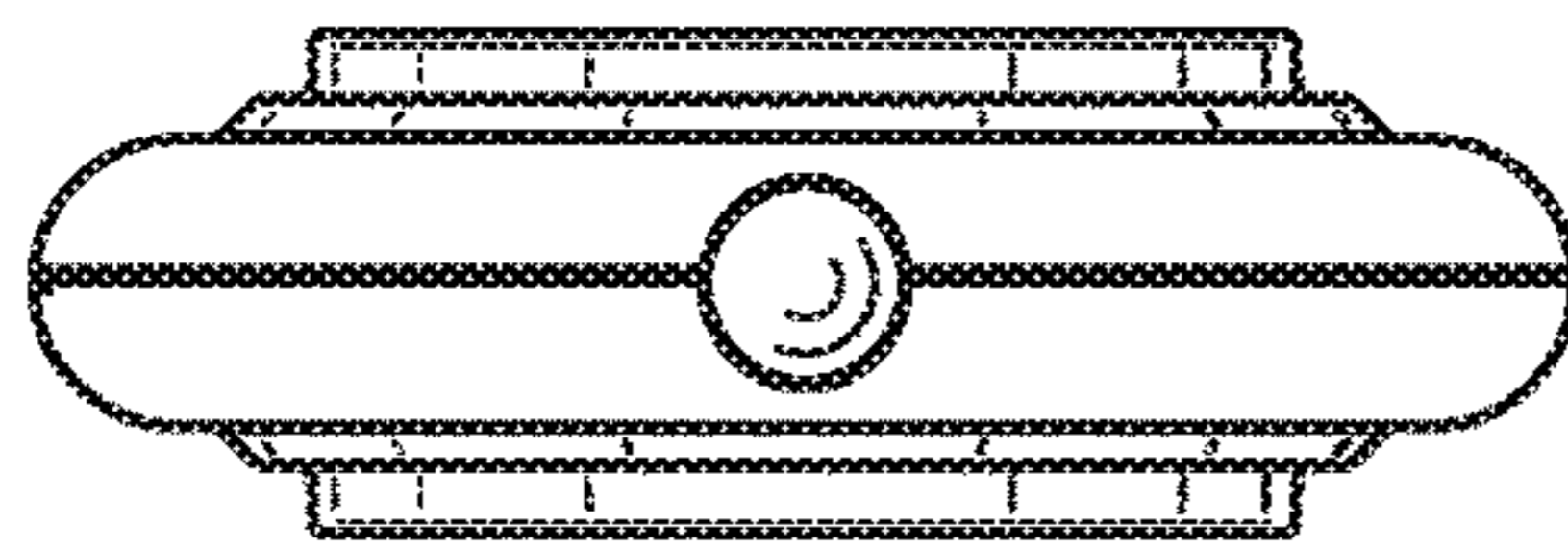


FIG. 6

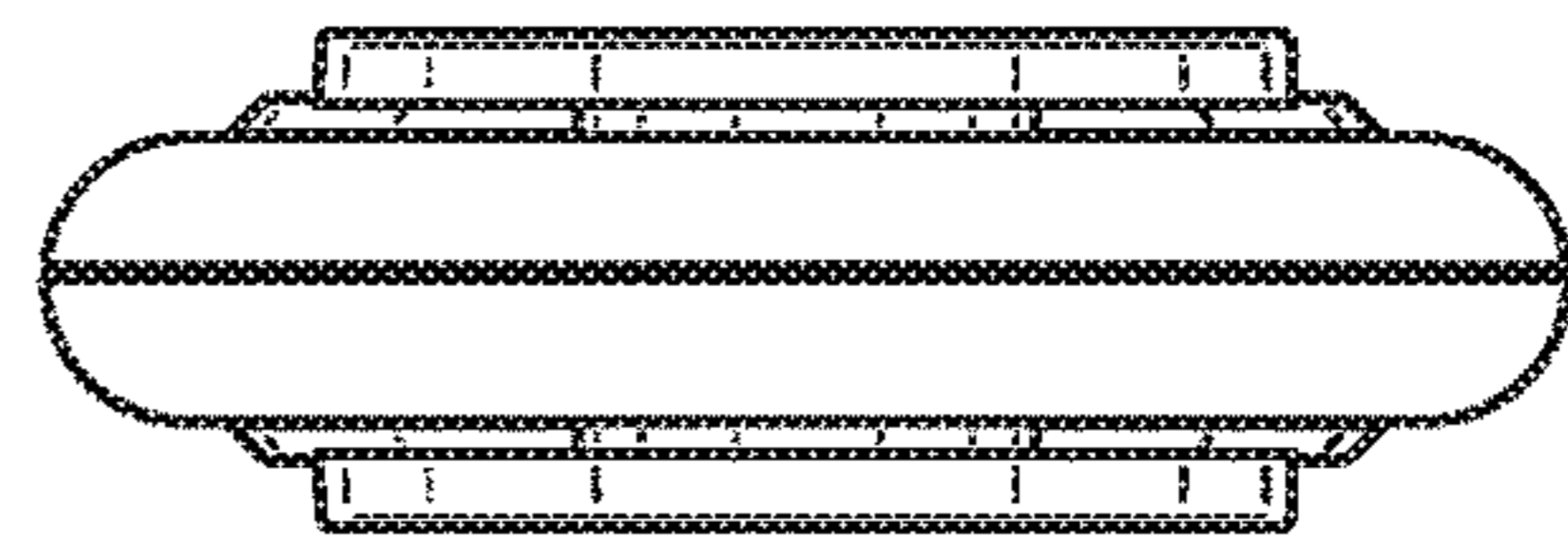


FIG. 7

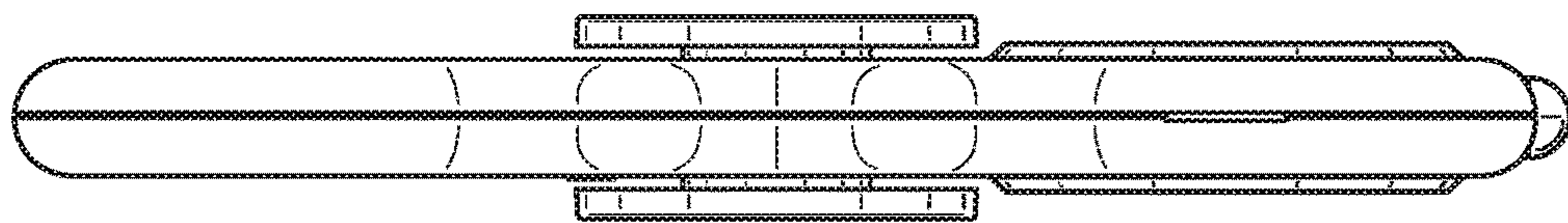


FIG. 8

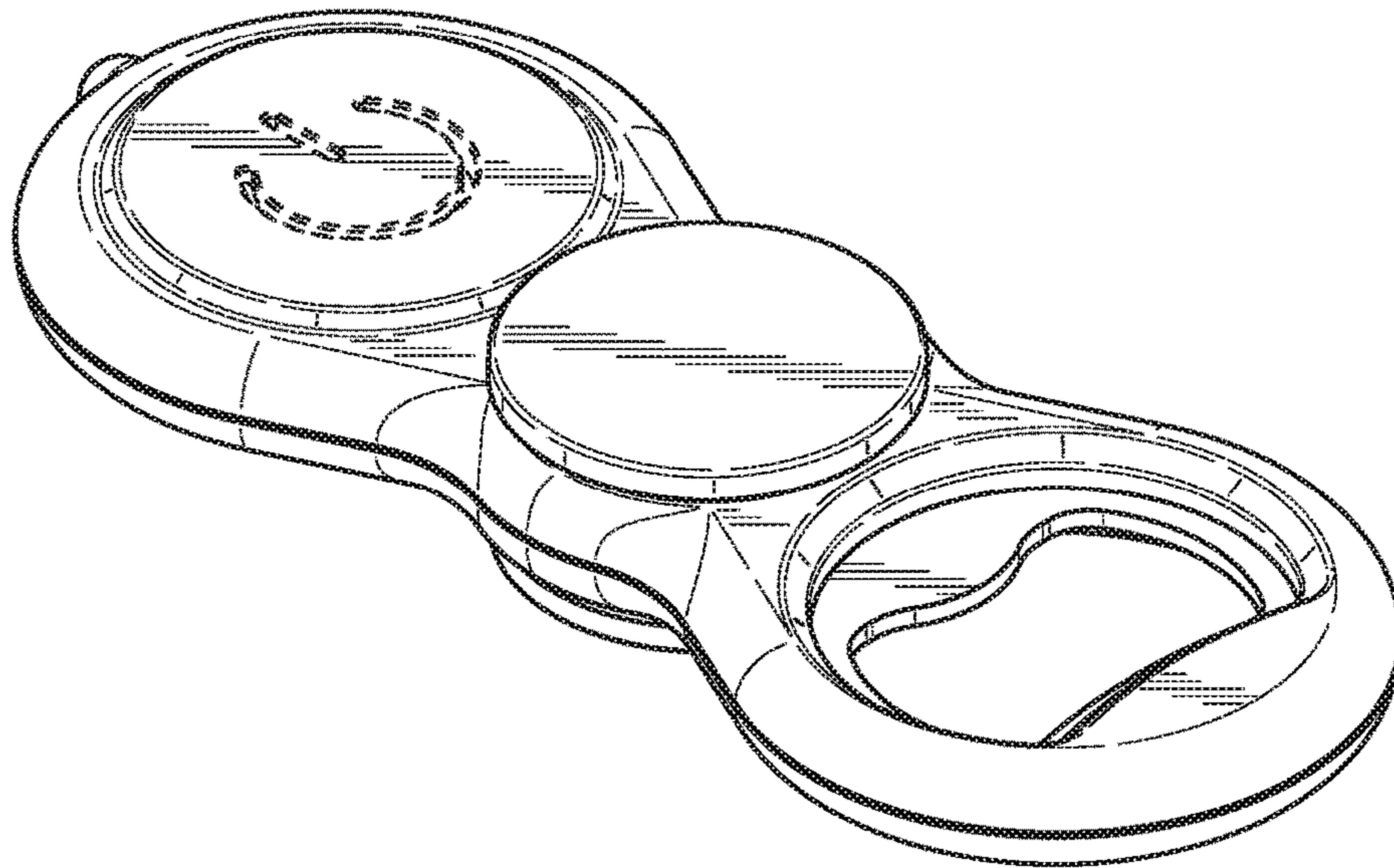


FIG. 9

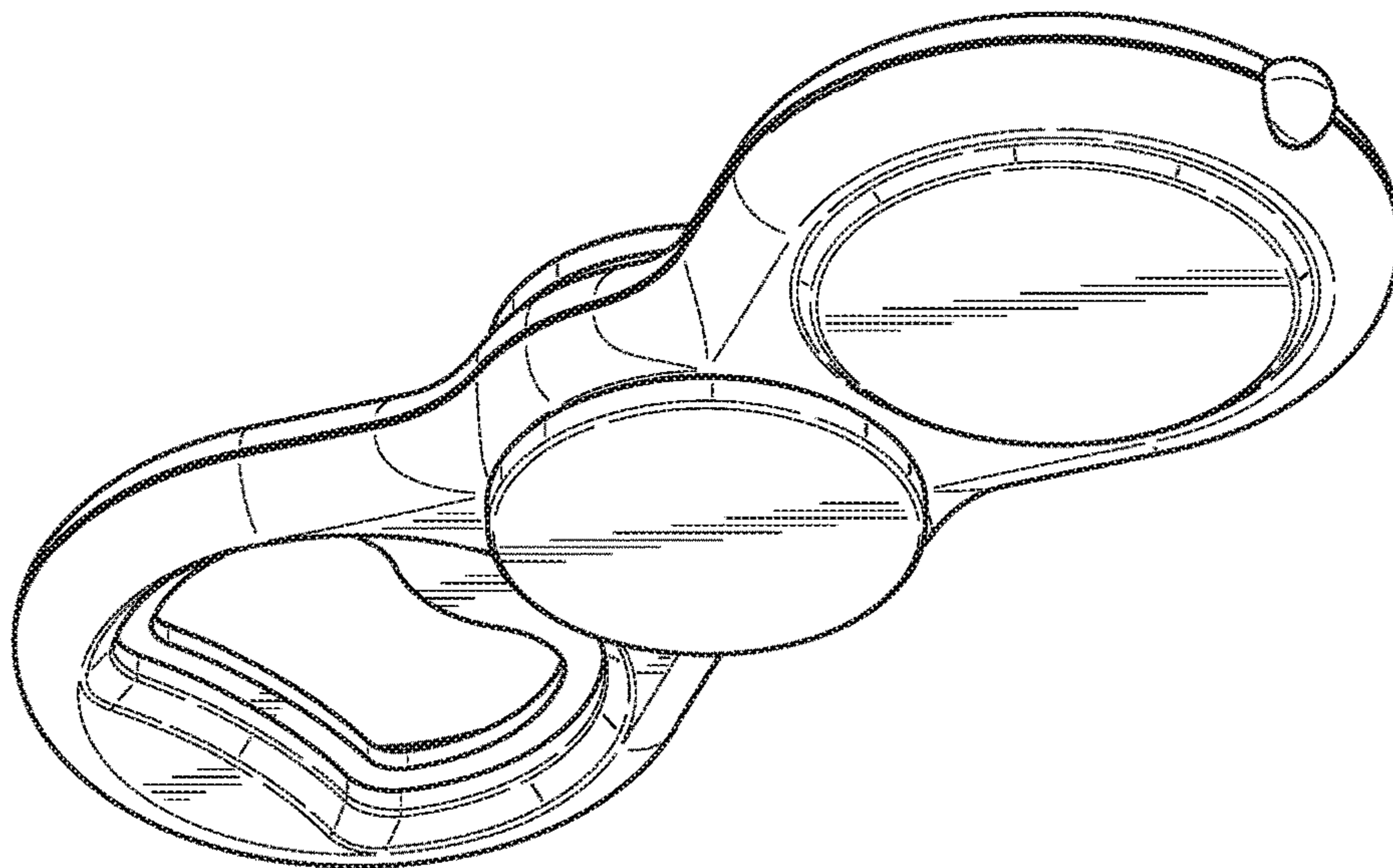


FIG. 10

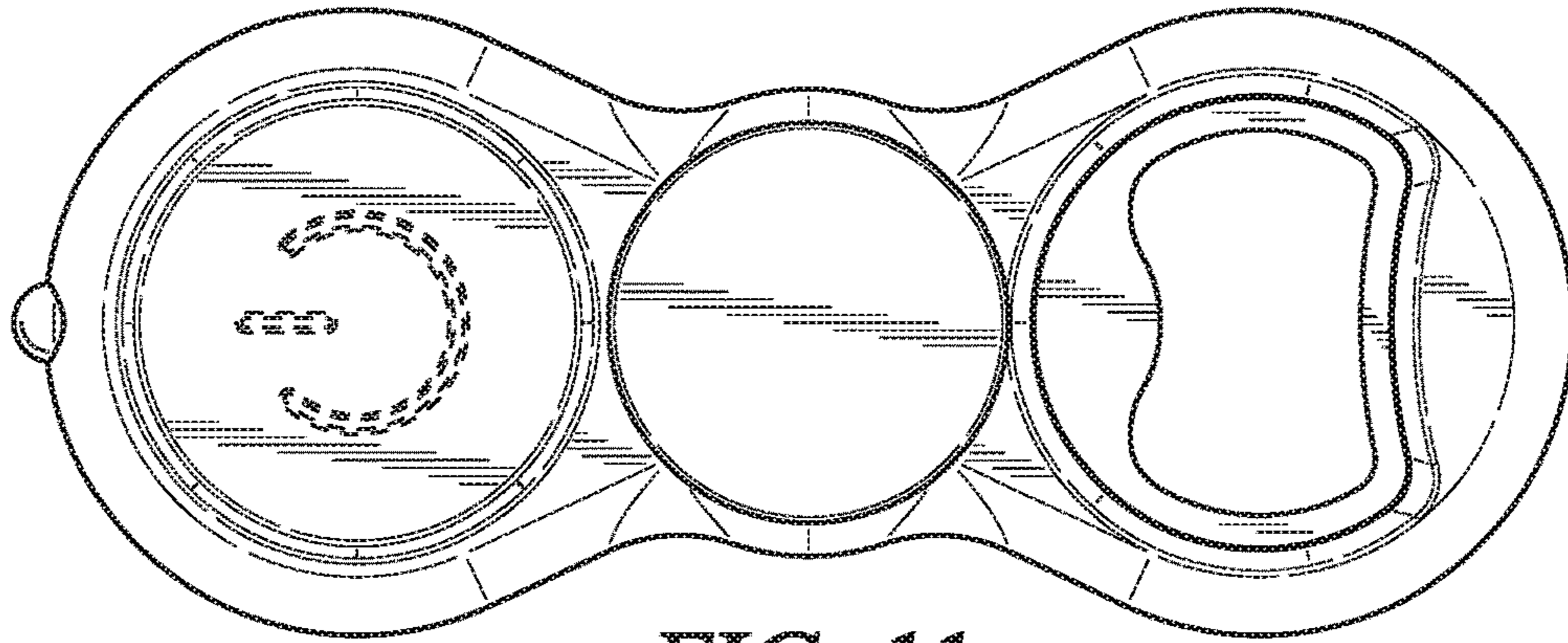


FIG. 11

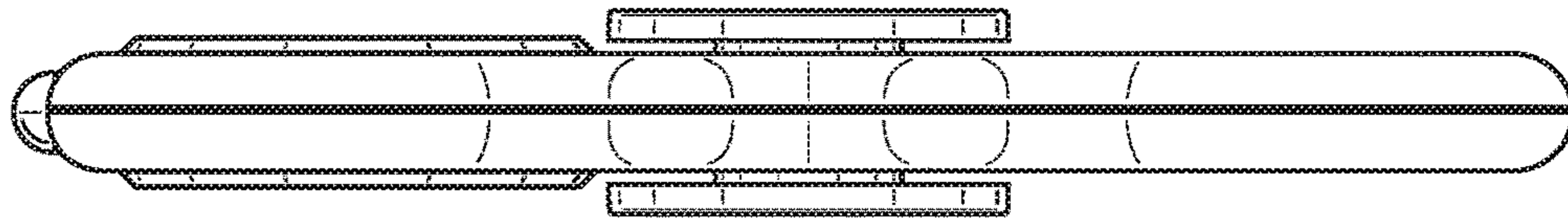


FIG. 12

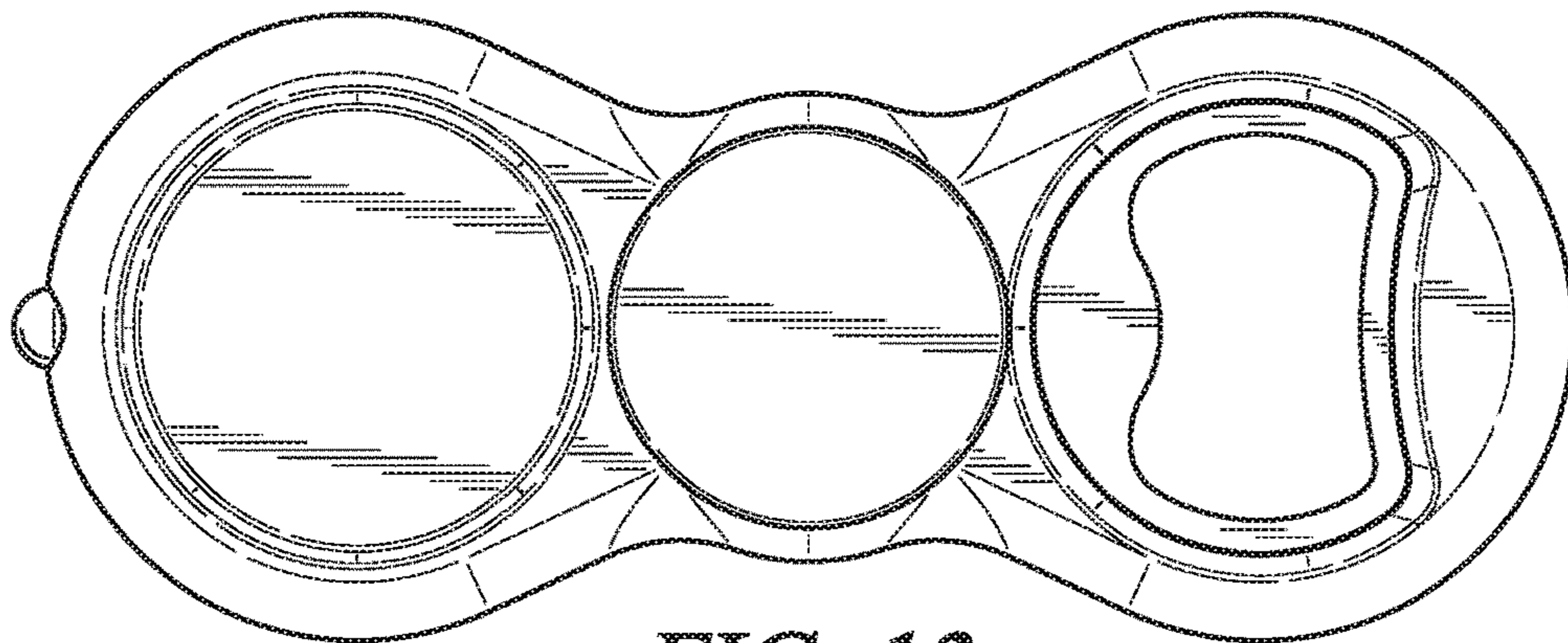


FIG. 13

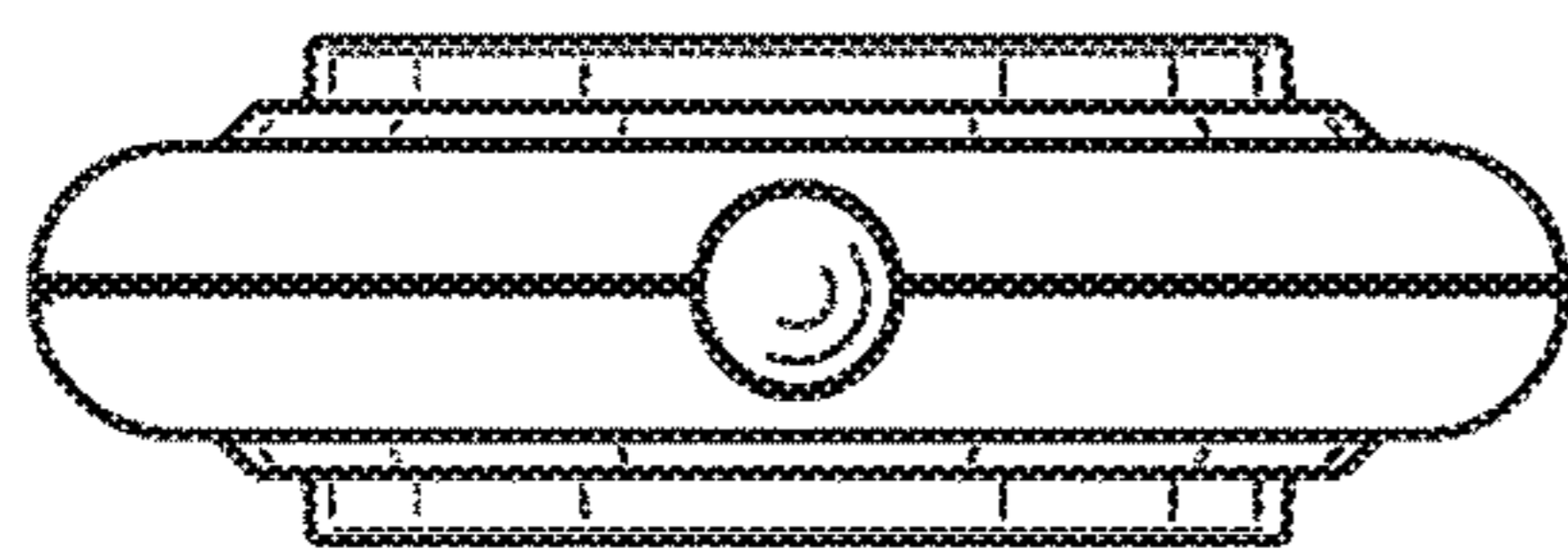


FIG. 14

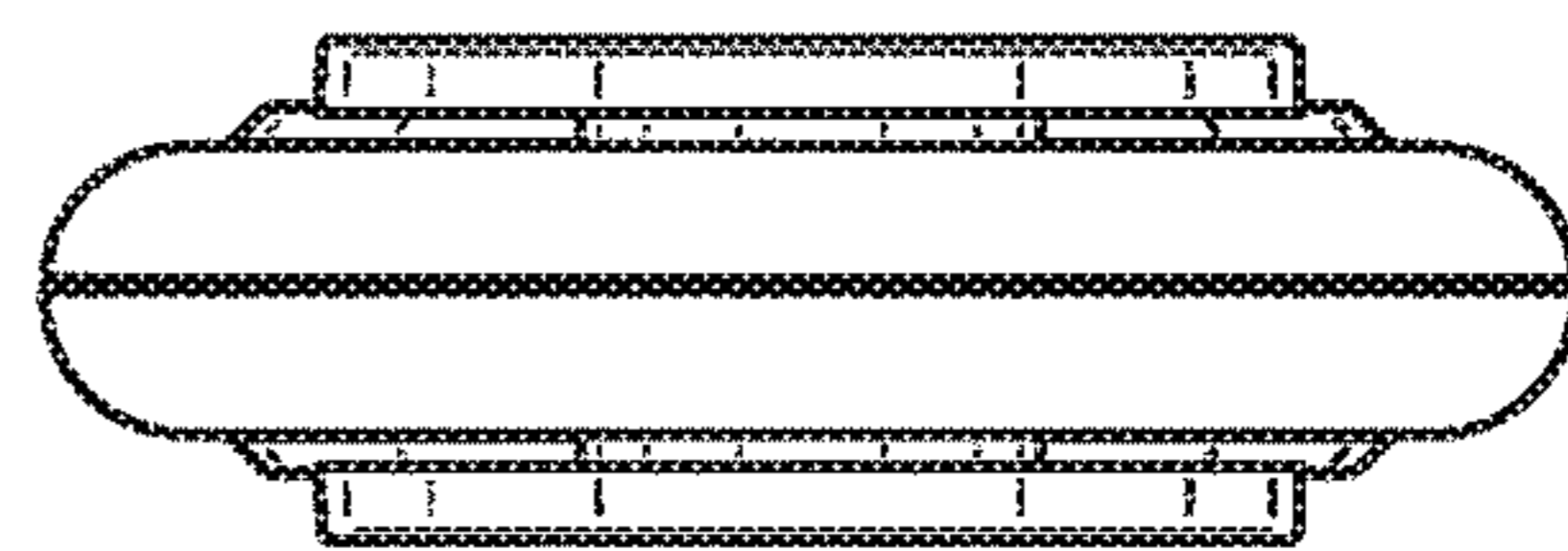


FIG. 15

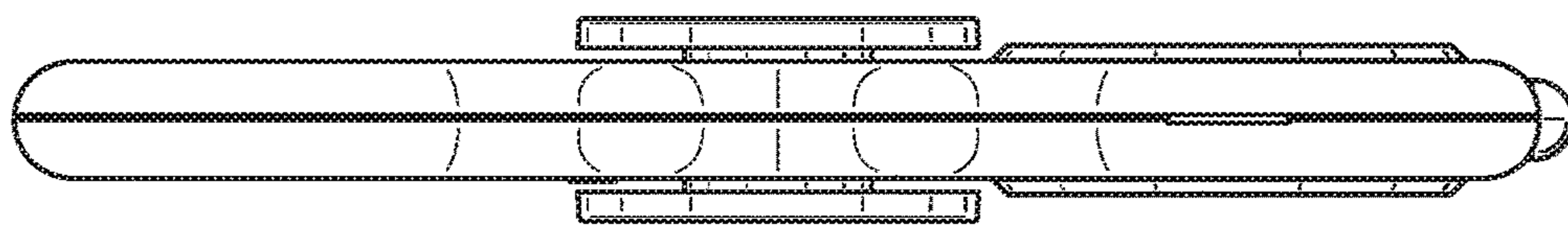


FIG. 16