



US00D839359S

(12) **United States Design Patent** (10) **Patent No.:** **US D839,359 S**
Hadley (45) **Date of Patent:** **** Jan. 29, 2019**

- (54) **ELECTRIC SCOOTER**
- (71) Applicant: **RAZOR USA LLC**, Cerritos, CA (US)
- (72) Inventor: **Robert Hadley**, Yorba Linda, CA (US)
- (73) Assignee: **RAZOR USA LLC**, Cerritos, CA (US)
- (**) Term: **15 Years**
- (21) Appl. No.: **29/637,152**
- (22) Filed: **Feb. 14, 2018**

- 6,206,387 B1 3/2001 Tsai
 - D444,824 S 7/2001 Udwin et al.
 - D446,259 S 8/2001 Udwin et al.
 - D447,187 S 8/2001 Powers
 - 6,273,205 B1 8/2001 Tsai
 - 6,296,082 B1 10/2001 Tsai
 - 6,298,952 B1 10/2001 Tsai
 - D450,355 S * 11/2001 Chan D21/423
- (Continued)

FOREIGN PATENT DOCUMENTS

- CH 598051 4/1978
 - DE 201 07 388 U1 7/2001
- (Continued)

Related U.S. Application Data

- (62) Division of application No. 29/543,893, filed on Oct. 29, 2015, now Pat. No. Des. 810,836.
- (51) **LOC (11) Cl.** **21-01**
- (52) **U.S. Cl.**
USPC **D21/423**
- (58) **Field of Classification Search**
USPC D21/419, 421, 423, 426-428, 435, 760,
D21/765, 771; D12/1, 8, 108, 112, 113
CPC . B62K 3/002; B62K 9/00; B62K 9/02; B62K
13/00; B62K 2202/00
See application file for complete search history.

OTHER PUBLICATIONS

- U.S. Appl. No. 29/637,724, filed Feb. 21, 2018.
- U.S. Appl. No. 29/591,292, filed Jan. 18, 2017, Huang et al.

Primary Examiner — Cynthia M. Chin
(74) *Attorney, Agent, or Firm* — Knobbe Martens Olson & Bear, LLP

(57) **CLAIM**

The ornamental design for an electric scooter, as shown and described.

(56) **References Cited**

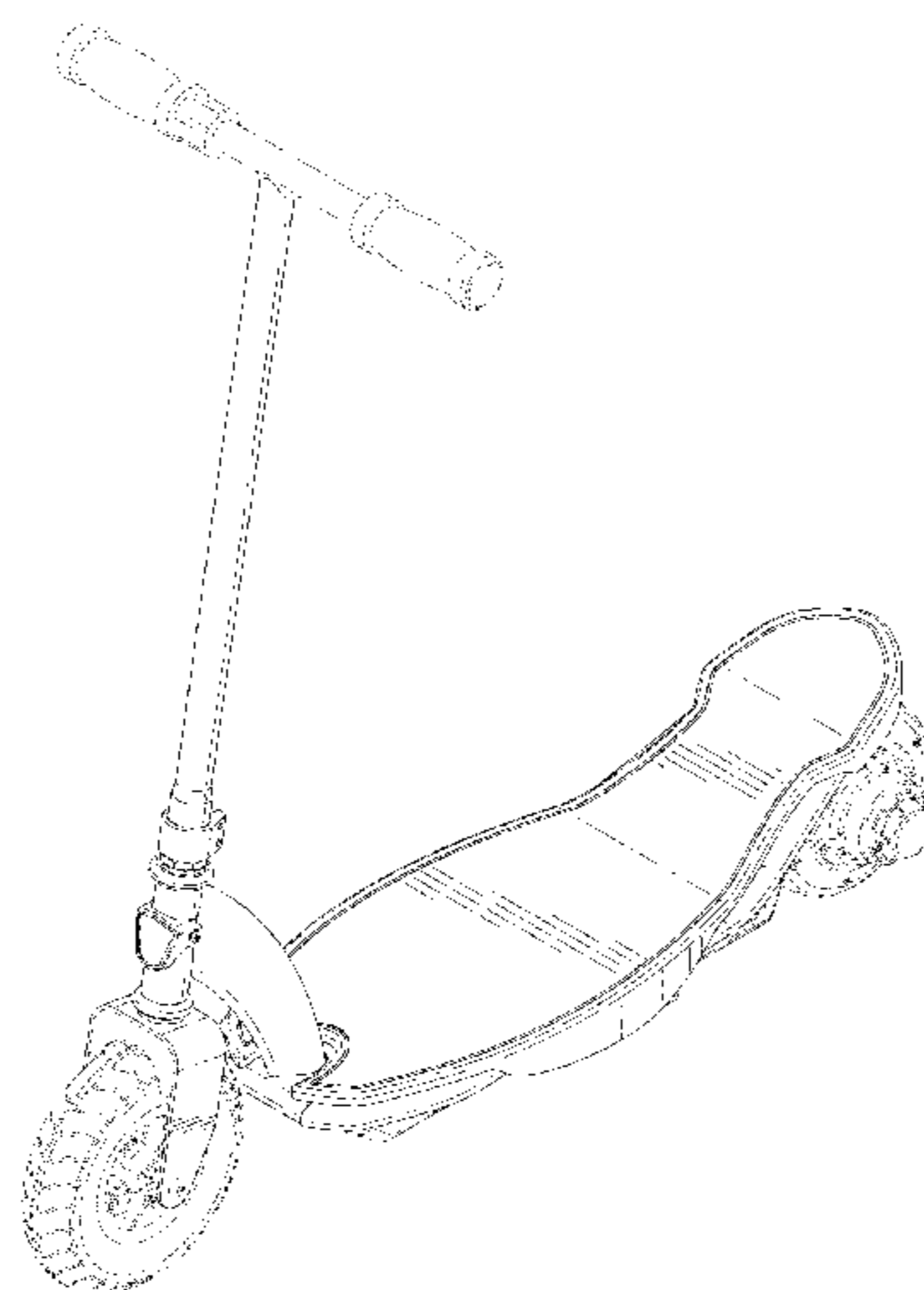
U.S. PATENT DOCUMENTS

- 4,094,372 A 6/1978 Notter
- 4,842,091 A * 6/1989 Badsey B62K 3/002
180/181
- D326,290 S * 5/1992 Badsey D12/110
- 5,662,187 A 9/1997 McGovern
- 6,029,763 A 2/2000 Swisher
- 6,139,035 A 10/2000 Tsai
- D433,718 S 11/2000 Mcgreen
- D435,873 S 1/2001 Lee
- D435,874 S 1/2001 Cheng
- 6,179,307 B1 1/2001 Mao
- D438,912 S 3/2001 Barrera
- D439,623 S 3/2001 Barrera

DESCRIPTION

FIG. 1 is a perspective view showing a top surface of an electric scooter.
FIG. 2 is a front view thereof.
FIG. 3 is a rear view thereof.
FIG. 4 is a left side view thereof.
FIG. 5 is a right side view thereof.
FIG. 6 is a top view thereof; and,
FIG. 7 is a bottom view thereof.
The broken lines are for the purpose of illustrating portions of the article that form no part of the claim.

1 Claim, 6 Drawing Sheets



(56)

References Cited

U.S. PATENT DOCUMENTS

D452,284 S 12/2001 McGinnis
 D453,804 S 2/2002 Robinson
 D454,377 S 3/2002 Hsu et al.
 D456,460 S 4/2002 Tseng
 6,378,880 B1 4/2002 Lin
 6,386,330 B1 5/2002 Wei
 6,394,213 B1 5/2002 Tsai
 D459,761 S 7/2002 Chen
 6,416,060 B1 7/2002 Chen
 6,443,470 B1 9/2002 Ulrich et al.
 6,462,493 B2 10/2002 Lan
 6,481,728 B2 11/2002 Chen
 6,481,729 B2 11/2002 Herman et al.
 D471,597 S 3/2003 Chen
 D471,598 S 3/2003 Chen
 D475,093 S 5/2003 Furter et al.
 6,619,416 B2 9/2003 Lan
 6,672,607 B2 1/2004 Chung
 D486,532 S 2/2004 Christianson
 6,739,421 B1 5/2004 Miya
 D492,367 S 6/2004 Dennis
 D497,397 S 10/2004 Sramek
 6,832,660 B2 12/2004 Dodd
 D513,629 S 1/2006 Sramek
 D516,132 S 2/2006 Sramek
 D569,447 S 5/2008 Thomas
 D579,987 S 11/2008 Hong
 D603,463 S 11/2009 Jessie, Jr.
 D645,522 S 9/2011 Powers et al.
 D654,963 S 2/2012 Powers et al.
 D656,560 S 3/2012 Patterson et al.
 8,292,018 B2 10/2012 Huang
 D671,600 S 11/2012 Horne
 D672,400 S 12/2012 Pizzi
 D684,217 S 6/2013 Hadley
 D691,671 S 10/2013 Chen et al.
 D692,963 S 11/2013 Radtke et al.
 D693,414 S 11/2013 Hadley et al.
 D698,868 S 2/2014 Chan

8,813,892 B2 8/2014 Hadley et al.
 D714,396 S 9/2014 Talios
 D715,870 S 10/2014 Talios
 8,870,200 B2 10/2014 Chen
 D717,881 S 11/2014 Radtke et al.
 8,925,935 B2 1/2015 Powers et al.
 D727,833 S 4/2015 Talios et al.
 9,045,189 B2 6/2015 Lovley, II et al.
 D738,435 S 9/2015 O'Connell
 D748,738 S 2/2016 Hadley et al.
 D750,180 S 2/2016 Edlauer
 9,321,504 B2 4/2016 Hadley et al.
 D756,464 S 5/2016 Edlauer
 D772,990 S 11/2016 Allais
 D774,145 S 12/2016 Hadley et al.
 D774,601 S 12/2016 Mizrahi et al.
 D777,844 S 1/2017 Connell
 D778,806 S 2/2017 Welford
 9,592,876 B2 3/2017 Lovley, II et al.
 9,660,500 B2 5/2017 Huang
 D810,836 S 2/2018 Hadley
 D811,489 S 2/2018 Hadley et al.
 D818,541 S 5/2018 Huang
 2002/0093161 A1 7/2002 Udwin et al.
 2002/0105157 A1 8/2002 Chen
 2002/0170763 A1 11/2002 Townsend
 2003/0197344 A1 10/2003 Chung
 2003/0221888 A1 12/2003 McKinney, Jr. et al.
 2007/0045976 A1 3/2007 Wu
 2008/0203691 A1 8/2008 Hsu
 2012/0048636 A1 3/2012 Huang
 2013/0186698 A1 7/2013 Sarokhan
 2013/0320648 A1 12/2013 Eckert et al.
 2015/0133253 A1 5/2015 Huang
 2016/0347402 A1 12/2016 Hadley et al.
 2017/0240239 A1 8/2017 Huang et al.

FOREIGN PATENT DOCUMENTS

WO WO 2015/114614 8/2015
 WO WO 2017/127464 A1 7/2017

* cited by examiner

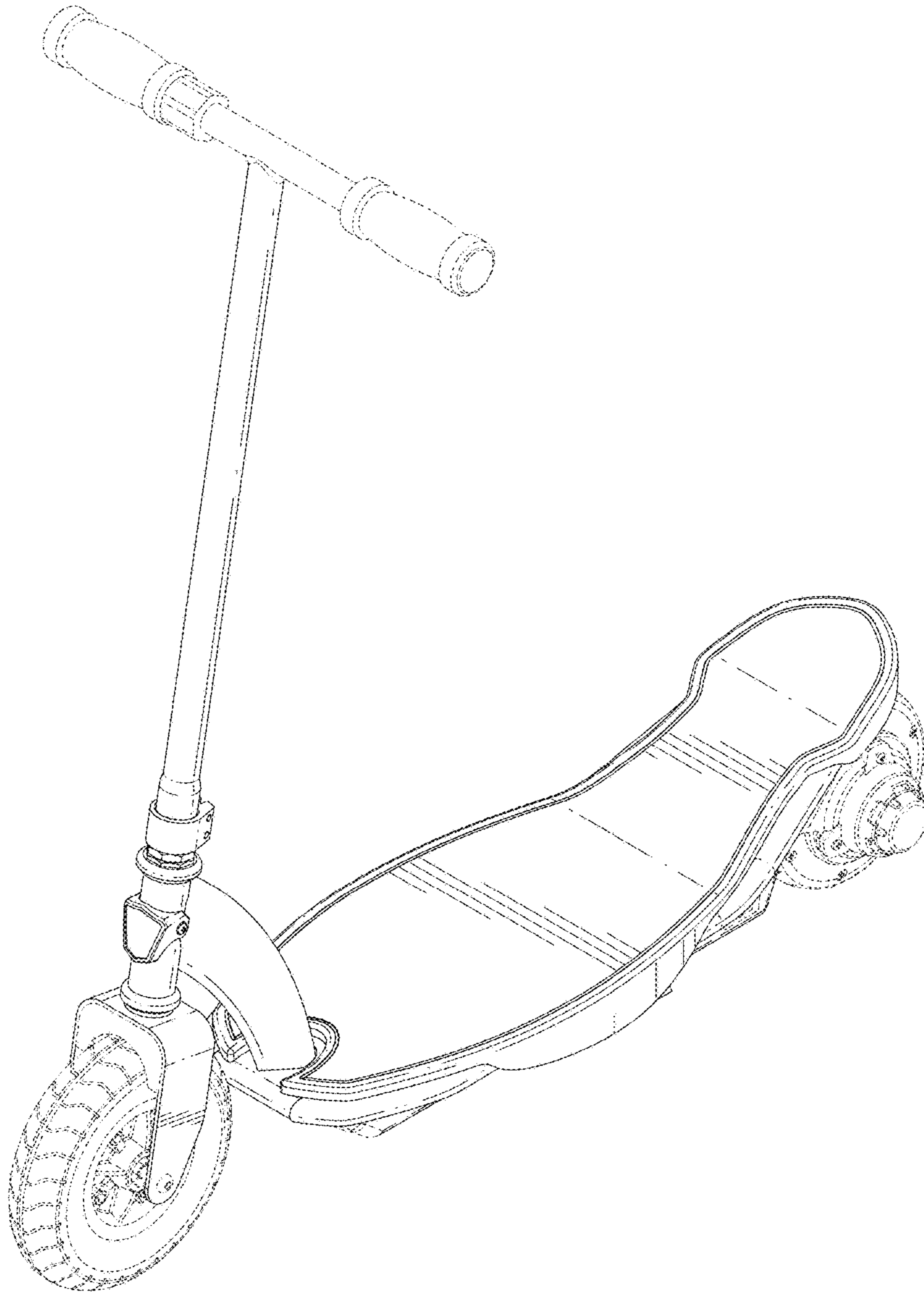


FIG. 1

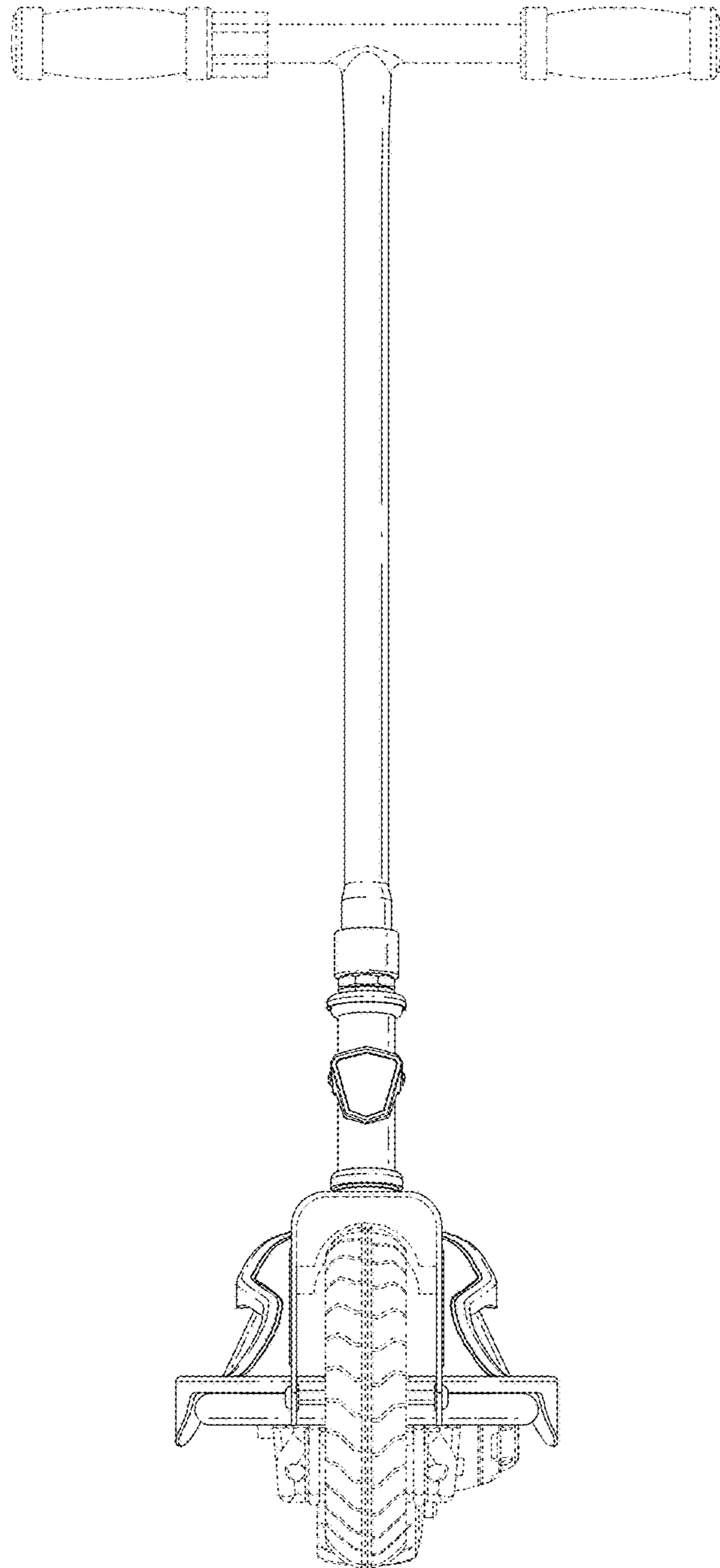


FIG. 2

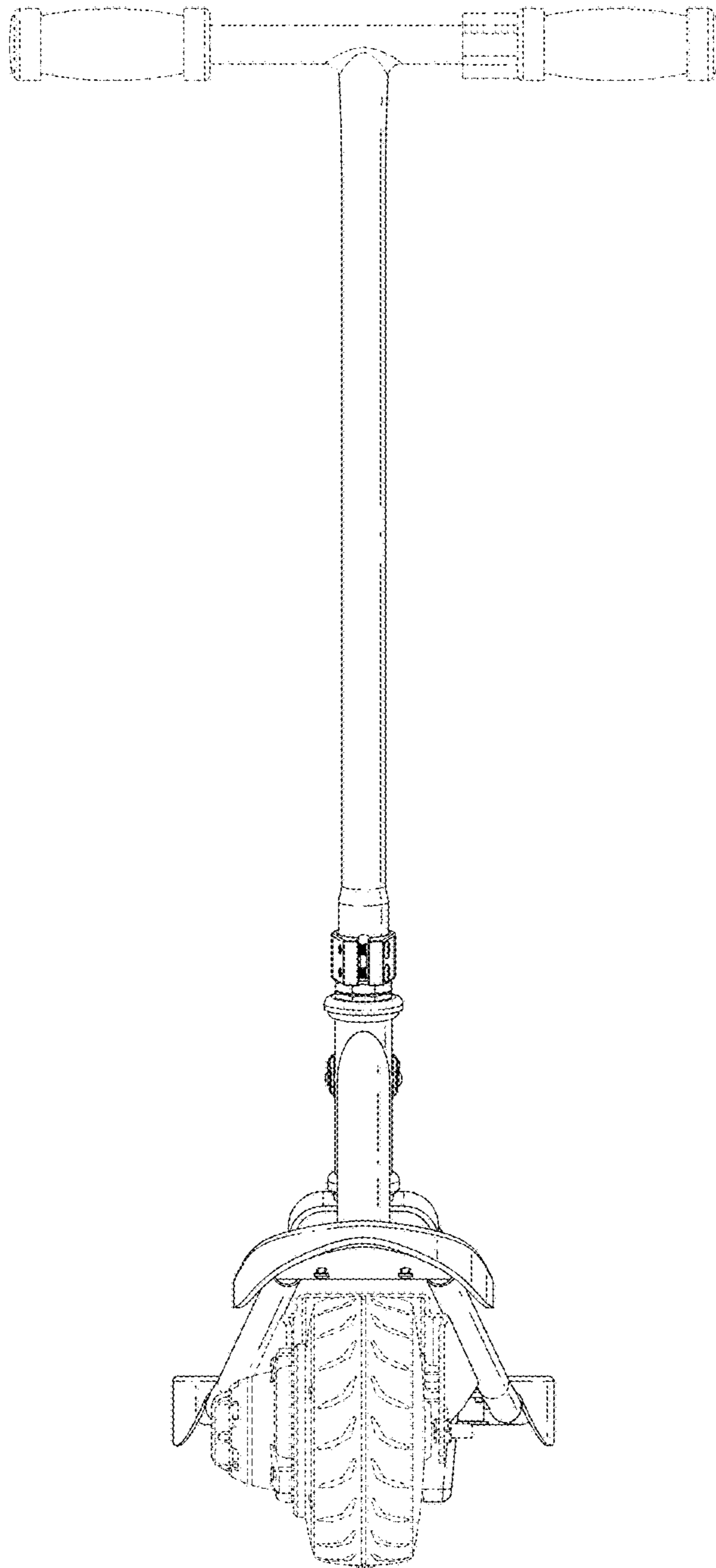


FIG. 3

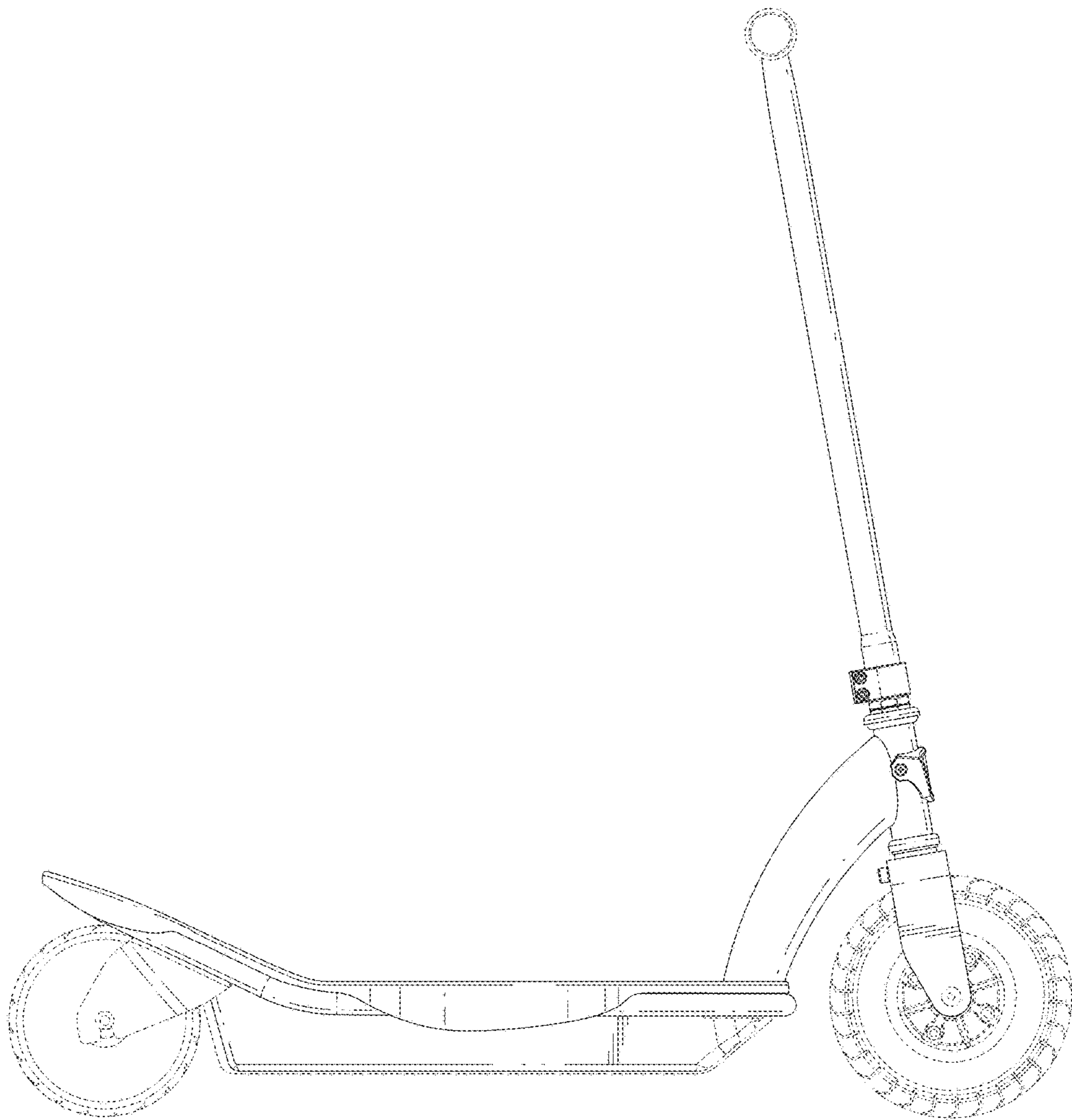


FIG. 4

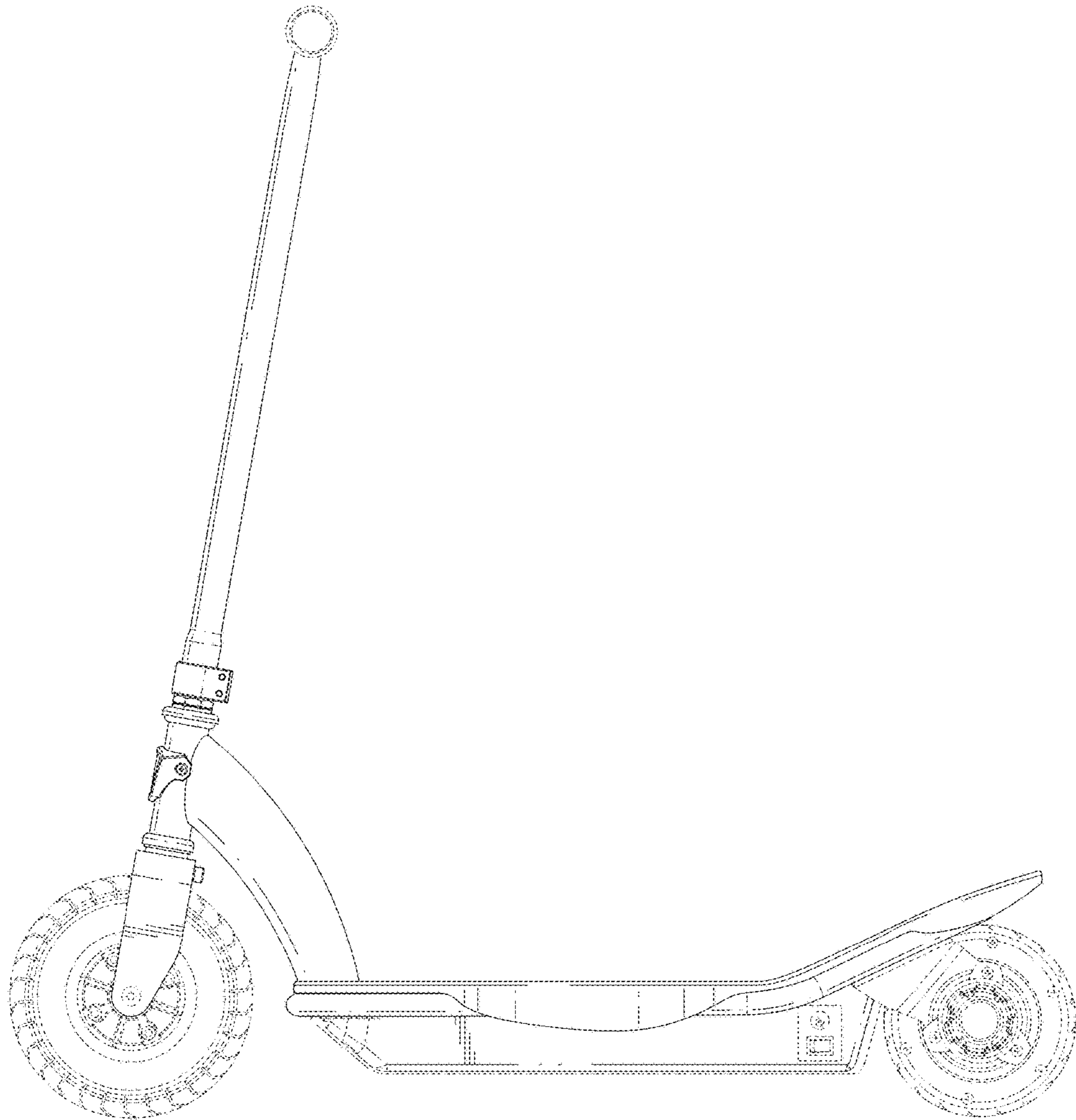


FIG. 5

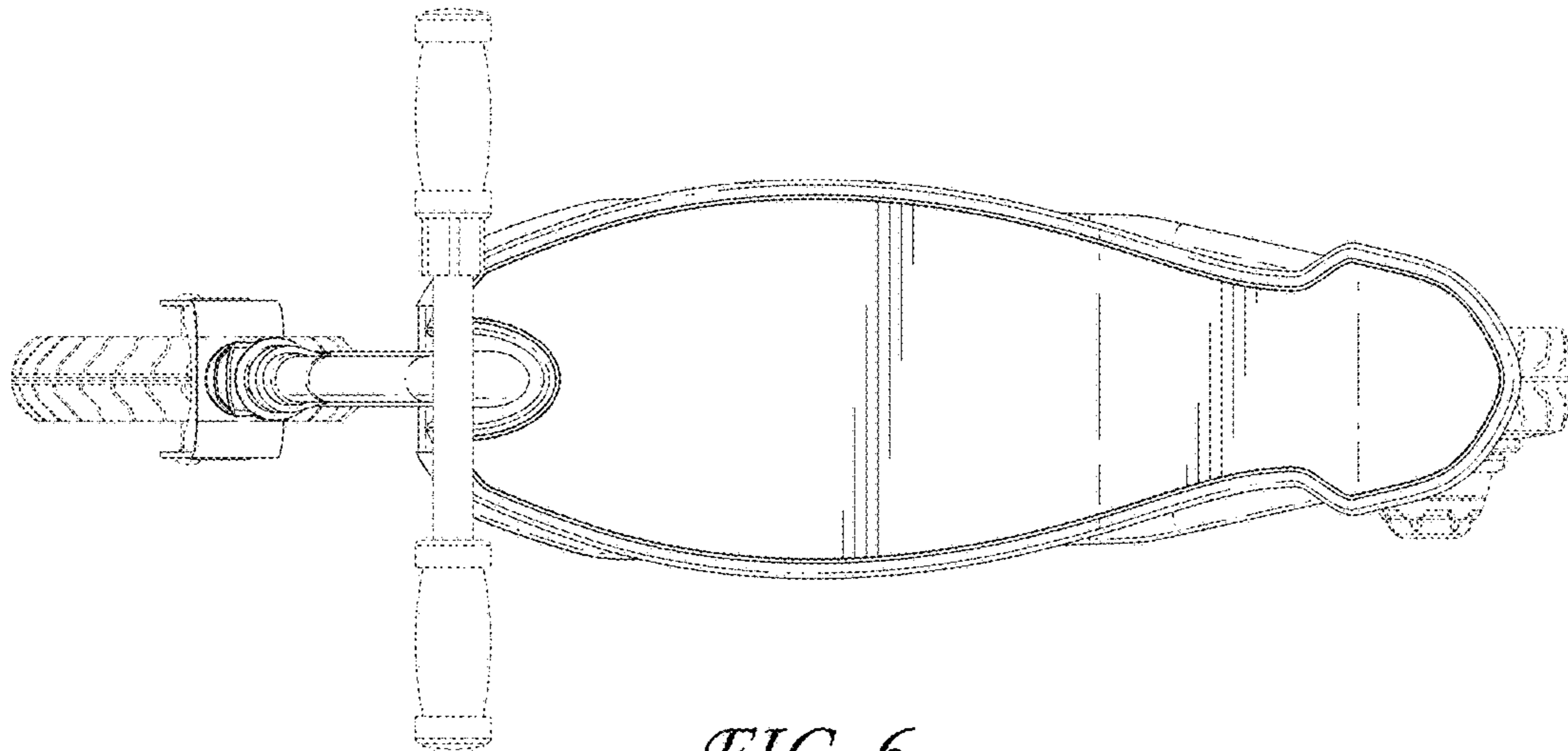


FIG. 6

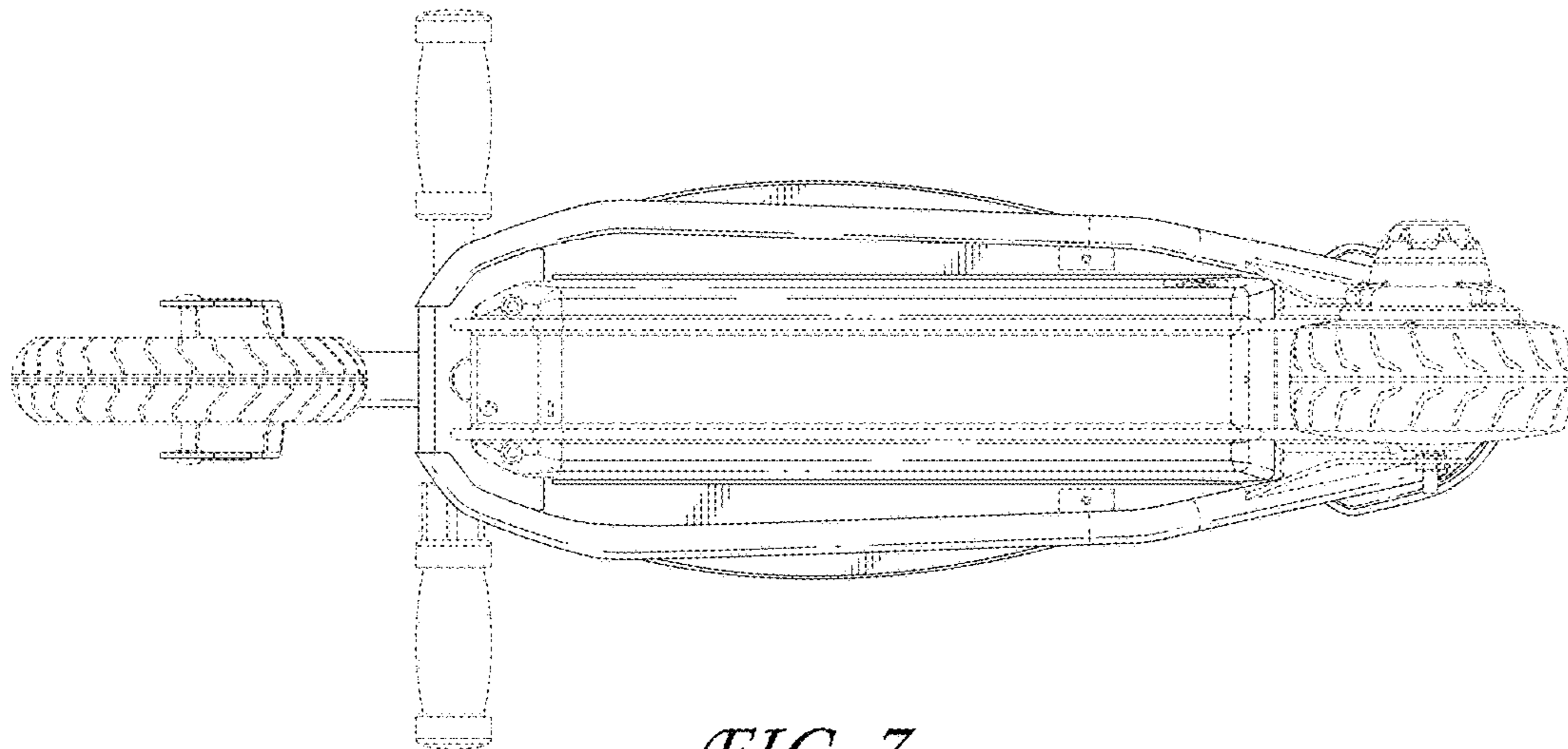


FIG. 7