



US00D839357S

(12) **United States Design Patent** (10) **Patent No.:** **US D839,357 S**
Steelman et al. (45) **Date of Patent:** **** Jan. 29, 2019**

(54) **GAMING DEVICE**

(71) Applicant: **Competition Interactive LLC**, Las Vegas, NV (US)

(72) Inventors: **Paul Steelman**, Las Vegas, NV (US);
Keith Winters, Las Vegas, NV (US);
Matthew Mahaney, Henderson, NV (US)

(73) Assignee: **Competition Interactive LLC**, Las Vegas, NV (US)

(**) Term: **15 Years**

(21) Appl. No.: **29/619,858**

(22) Filed: **Oct. 2, 2017**

(51) **LOC (11) Cl.** **21-03**

(52) **U.S. Cl.**
USPC **D21/369**

(58) **Field of Classification Search**
USPC 463/1, 28, 29, 30, 31, 32, 33, 34, 35, 46,
463/47; D14/300, 301, 302, 305, 307;
D21/324, 325, 329, 369, 370, 371
CPC G07F 17/3216; A47B 25/00
See application file for complete search history.

(56) **References Cited**

U.S. PATENT DOCUMENTS

4,850,591	A	7/1989	Takezawa et al.	
5,813,914	A	9/1998	McKay et al.	
6,334,612	B1	1/2002	Wurz et al.	
D509,254	S *	9/2005	Rasmussen	D21/369
D548,287	S	8/2007	Yamanaka et al.	
D563,481	S *	3/2008	Looks	D21/370
D570,922	S	6/2008	Reetz	
D594,068	S *	6/2009	Hsu	D21/370
D599,858	S *	9/2009	Lesley	D21/370
D599,859	S *	9/2009	Lesley	D21/370
D603,909	S *	11/2009	De Viveiros Ortiz	D21/325
D604,368	S *	11/2009	Lesley	D21/370

D604,774	S *	11/2009	De Viveiros Ortiz	D21/325
D605,231	S *	12/2009	Hashimoto	D21/325
D613,802	S	4/2010	Meyers et al.		
D622,323	S *	8/2010	De Viveiros Ortiz	D21/325
D622,781	S	8/2010	Lesley et al.		
D673,621	S	1/2013	Johnson et al.		
8,439,761	B2	5/2013	O'Keene et al.		
D684,637	S *	6/2013	Shelley	D21/370

(Continued)

OTHER PUBLICATIONS

Competition Interactive, "Running Rich Racing Video", Aug. 9, 2018. www.competitioninteractive.com/. Shown at 00:56 minute mark of video. (Year: 2018).*

Primary Examiner — Cynthia Ramirez

Assistant Examiner — Michael A Maharajh

(74) *Attorney, Agent, or Firm* — Durham Jones & Pinegar, P.C., Intellectual Property Law Group

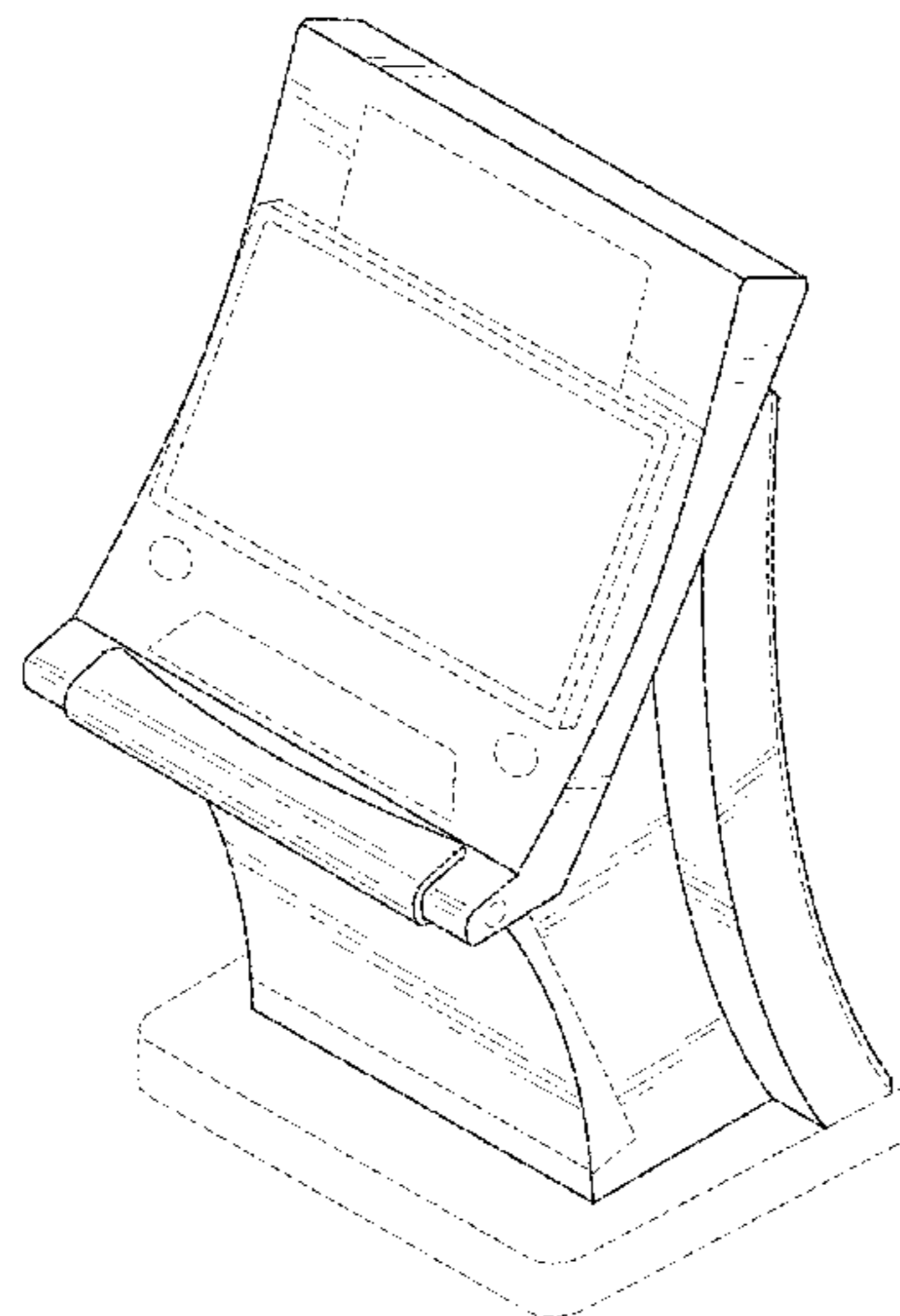
(57) **CLAIM**

The ornamental design for a gaming device, as shown and described.

DESCRIPTION

FIG. 1 is a perspective view of a gaming device showing our new design;
FIG. 2 is a front elevational view thereof;
FIG. 3 is a rear elevational view thereof;
FIG. 4 is a left side elevational view thereof;
FIG. 5 is a right side elevational view thereof;
FIG. 6 is a top plan view thereof;
FIG. 7 is a bottom plan view thereof; and,
FIG. 8 is another perspective view thereof.
The broken lines shown in the figures are for the purpose of illustrating portions of the gaming device that form no part of the claimed design. The additional broken lines shown in FIG. 8 are for the purpose of illustrating environmental structure, which forms no part of the claimed design.

1 Claim, 5 Drawing Sheets



(56)

References Cited

U.S. PATENT DOCUMENTS

D684,638	S	*	6/2013	Shelley	D21/370
D685,033	S	*	6/2013	Wudtke	D21/370
D697,558	S		1/2014	Myers et al.		
D706,741	S		6/2014	Myers		
D712,975	S		9/2014	Lesley et al.		
D714,875	S		10/2014	Wudtke et al.		
D715,364	S		10/2014	Wudtke et al.		
D719,617	S		12/2014	Inoue		
D727,431	S	*	4/2015	Themann	D21/370
D730,993	S	*	6/2015	Castro	D21/370
D740,888	S	*	10/2015	DePalma	D21/370
D742,975	S	*	11/2015	Myers	D21/370
D760,846	S	*	7/2016	Castro	D21/370
RE46,169	E		10/2016	Kelly et al.		
D802,676	S	*	11/2017	Steelman	D21/326
D808,467	S	*	1/2018	Huang	D21/369
D812,145	S	*	3/2018	Huang	D21/369
D820,915	S	*	6/2018	Lee	D21/369
D822,117	S	*	7/2018	Costa	D21/325

* cited by examiner

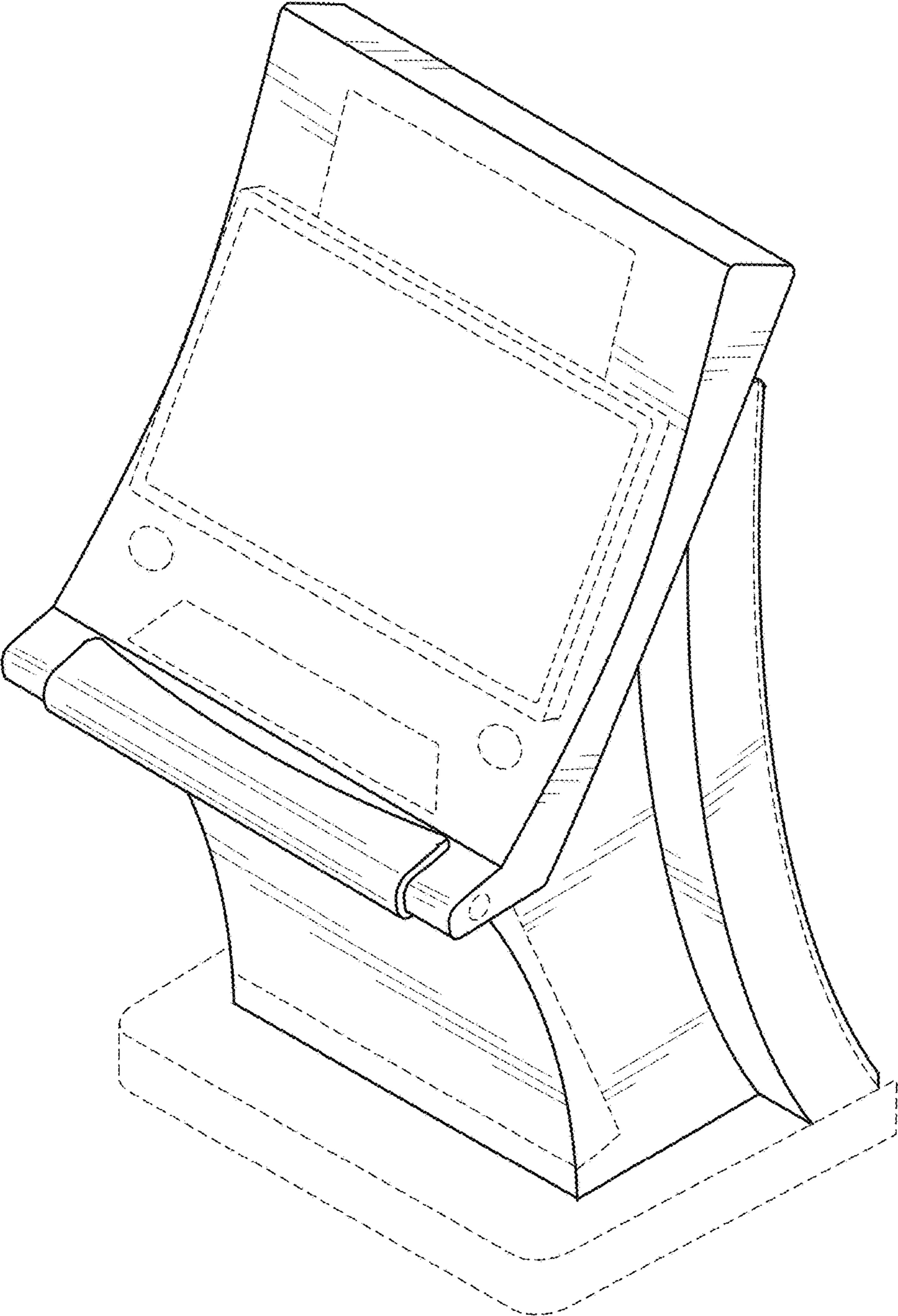


FIG. 1

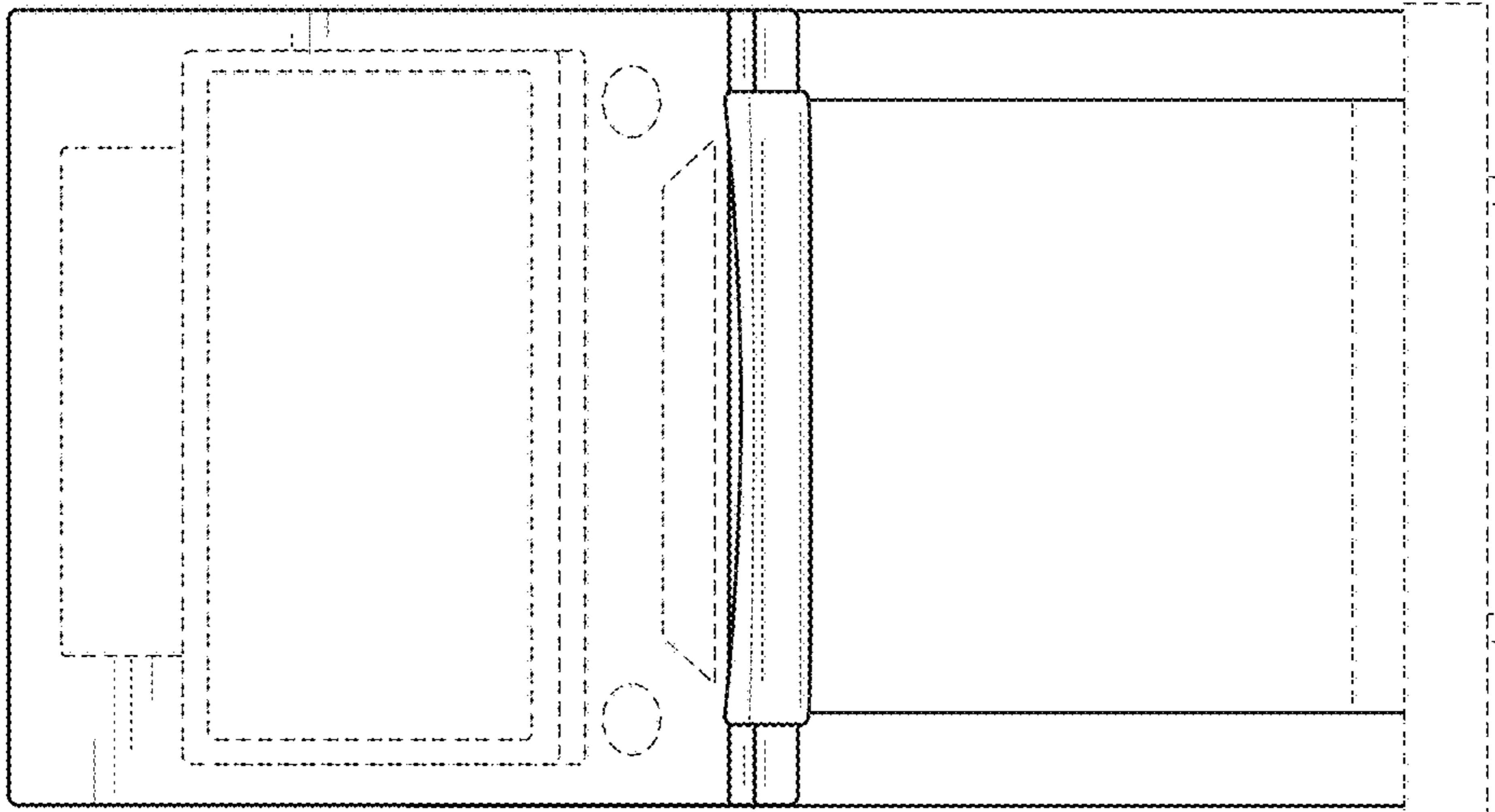


FIG. 3

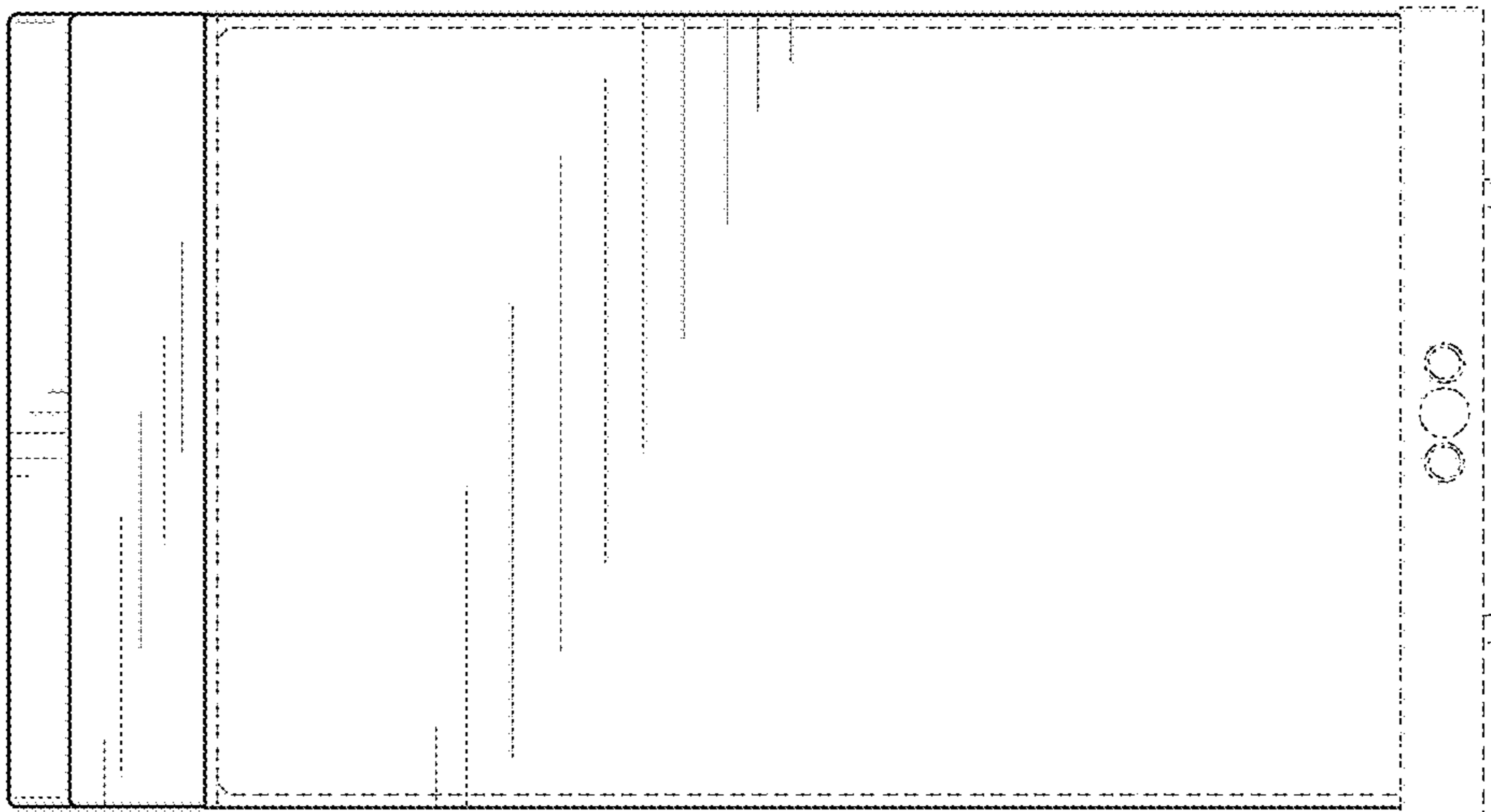


FIG. 2

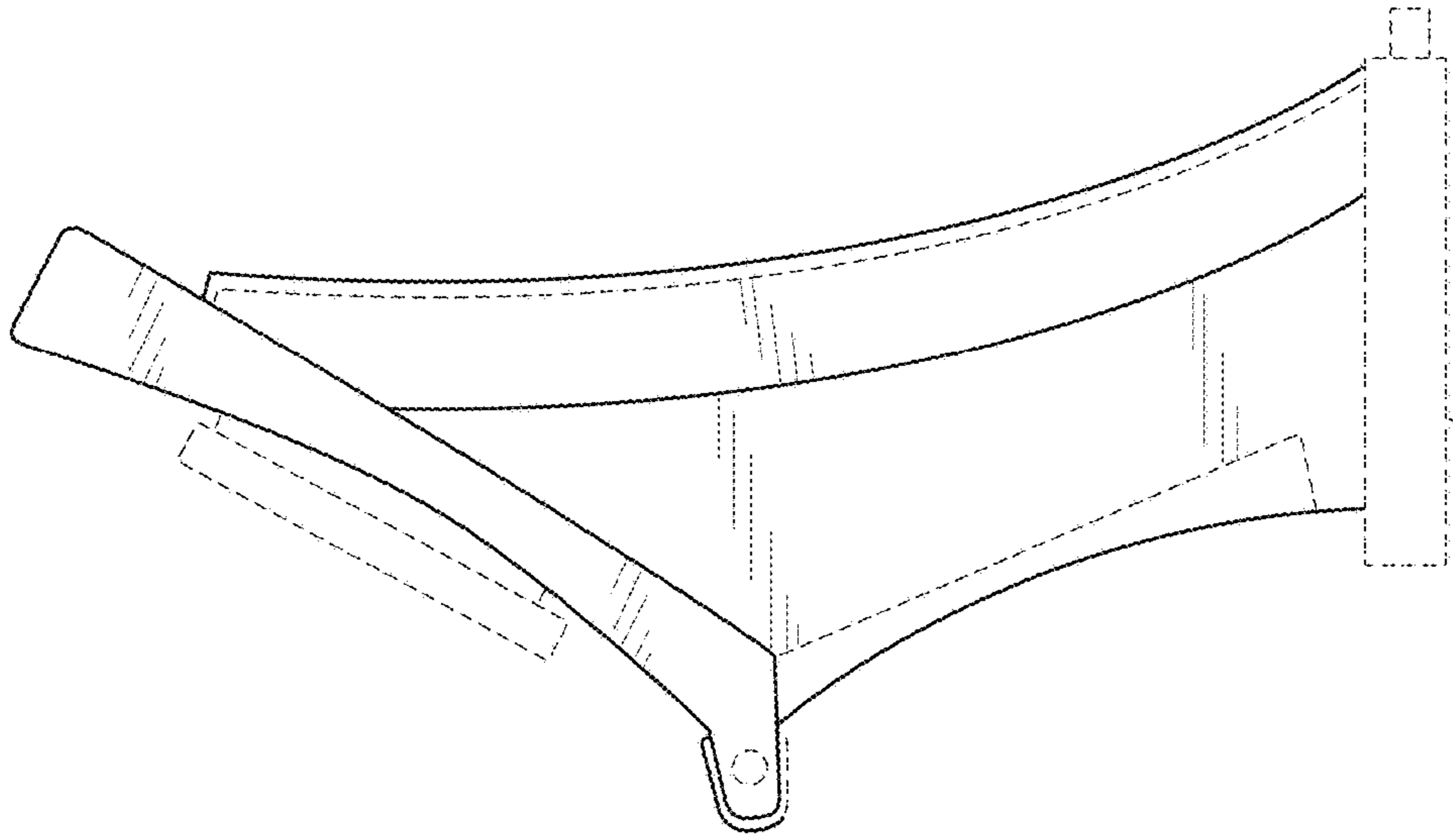


FIG. 5

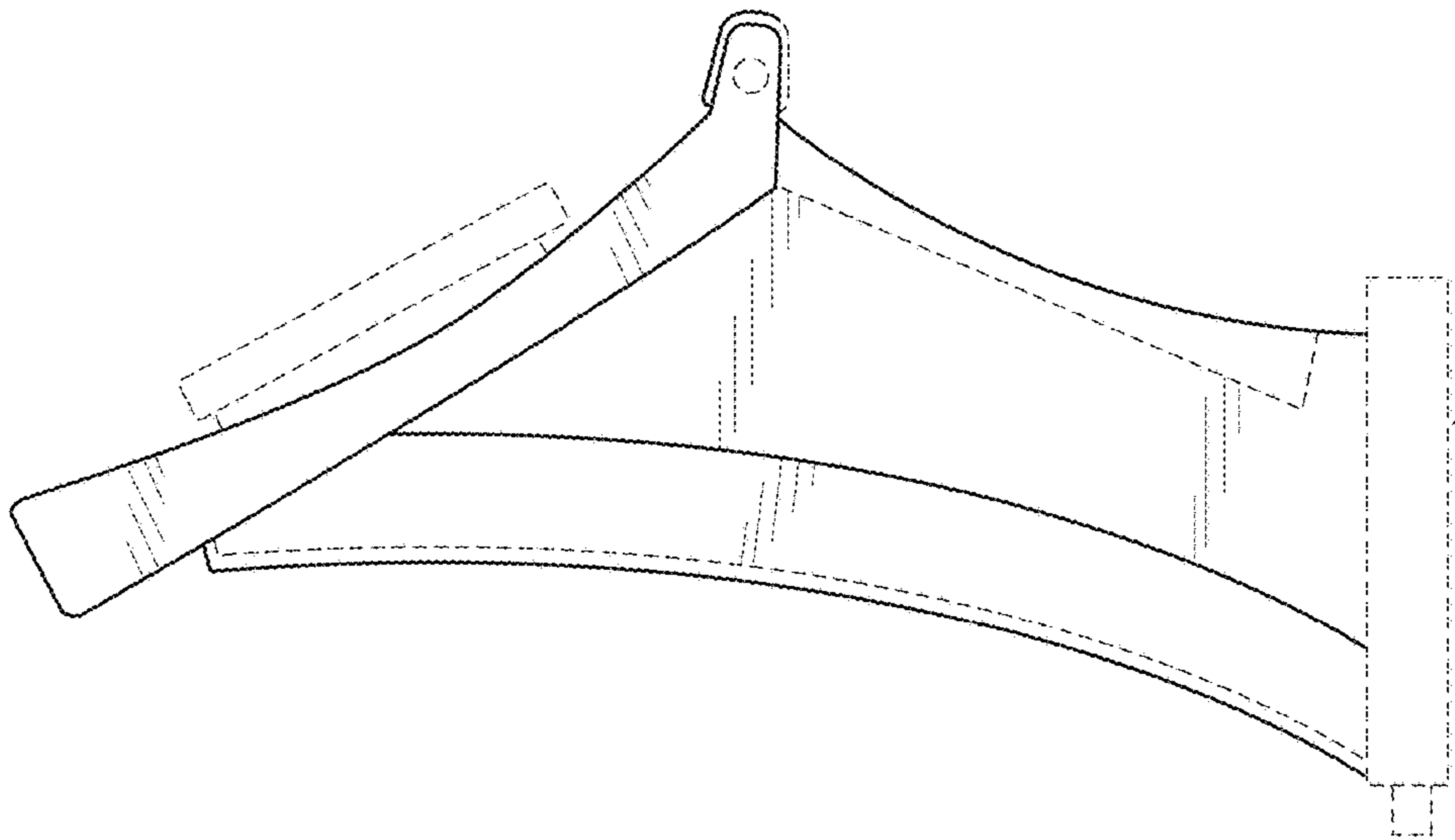


FIG. 4

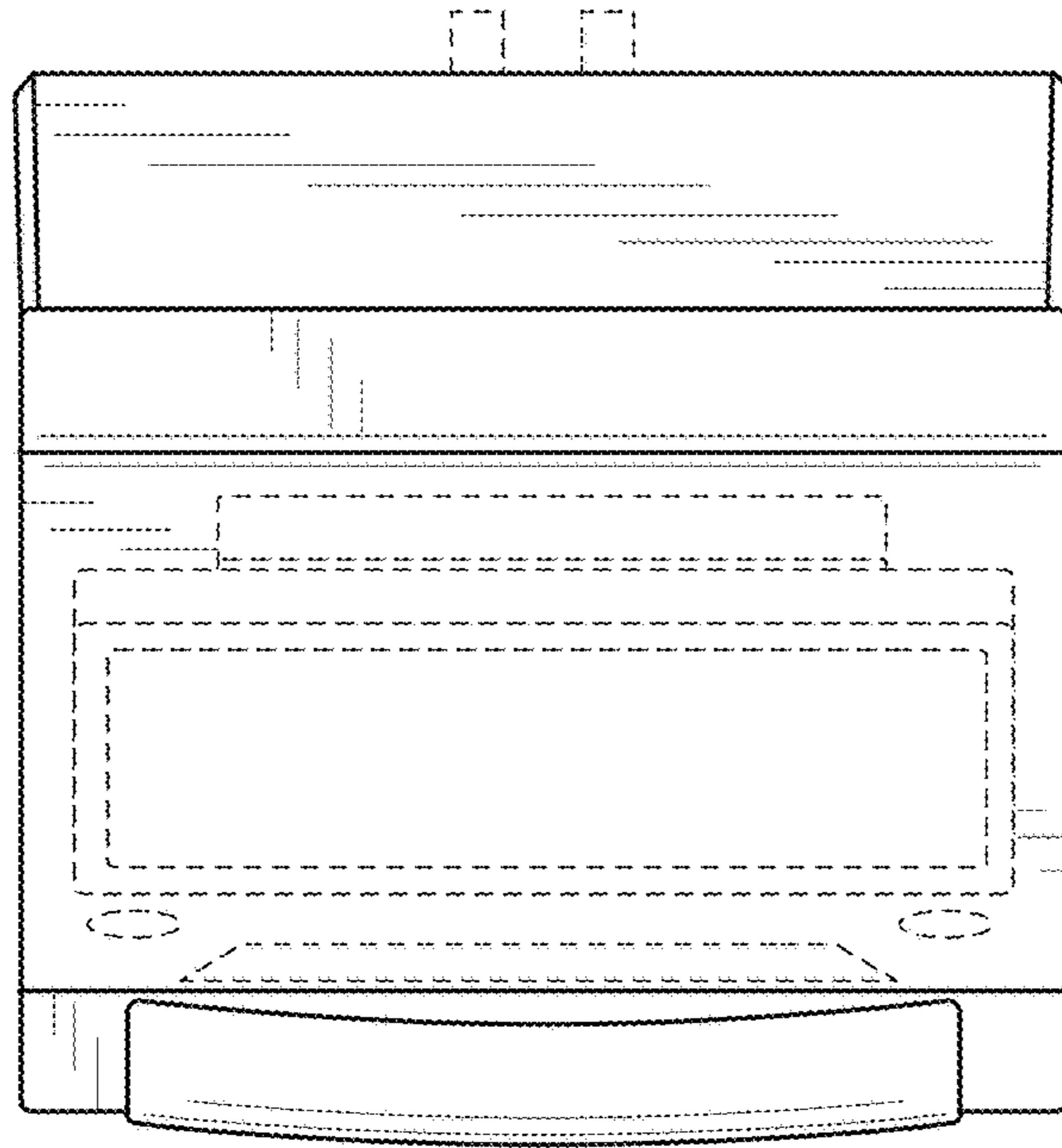


FIG. 6

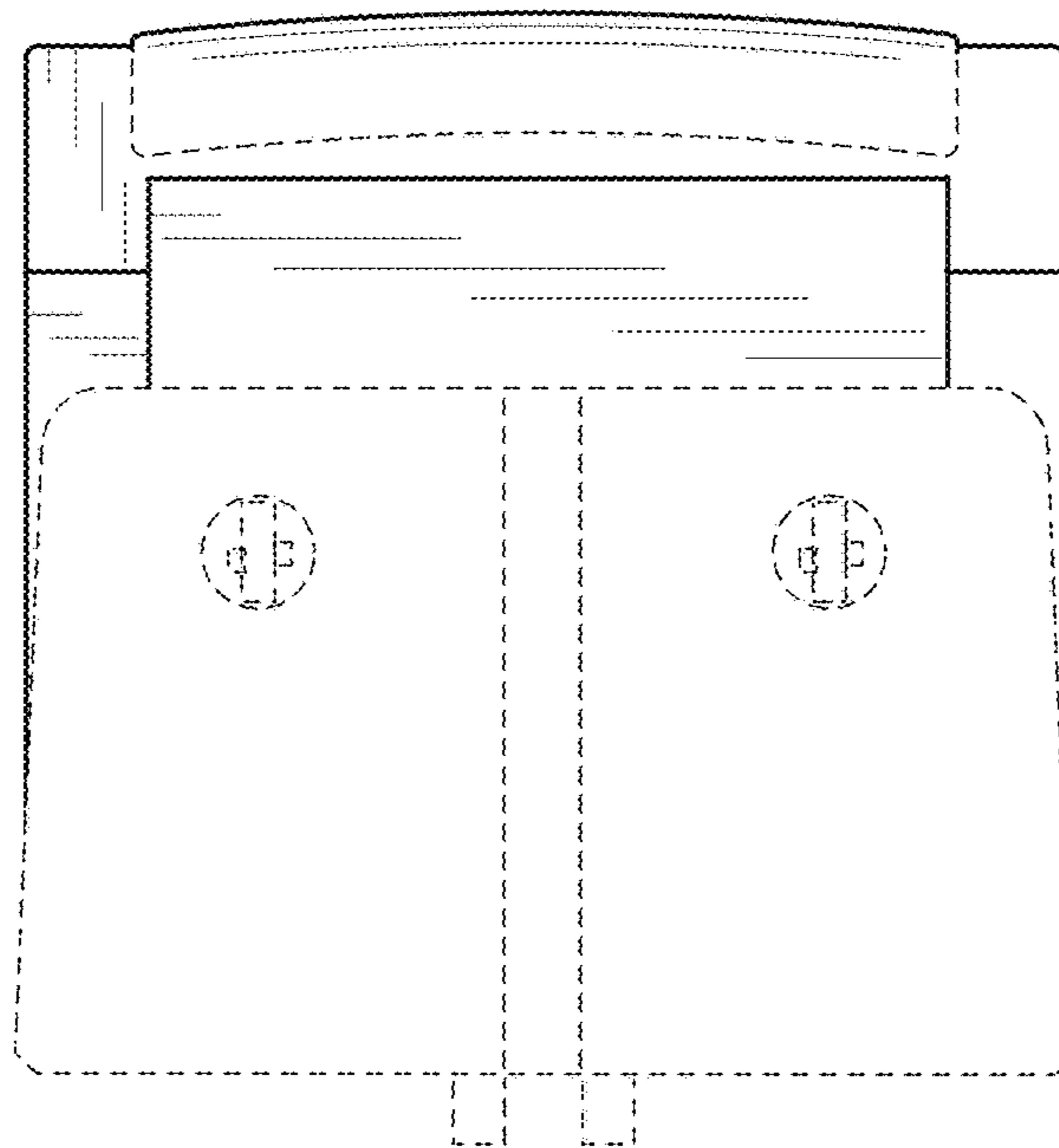


FIG. 7

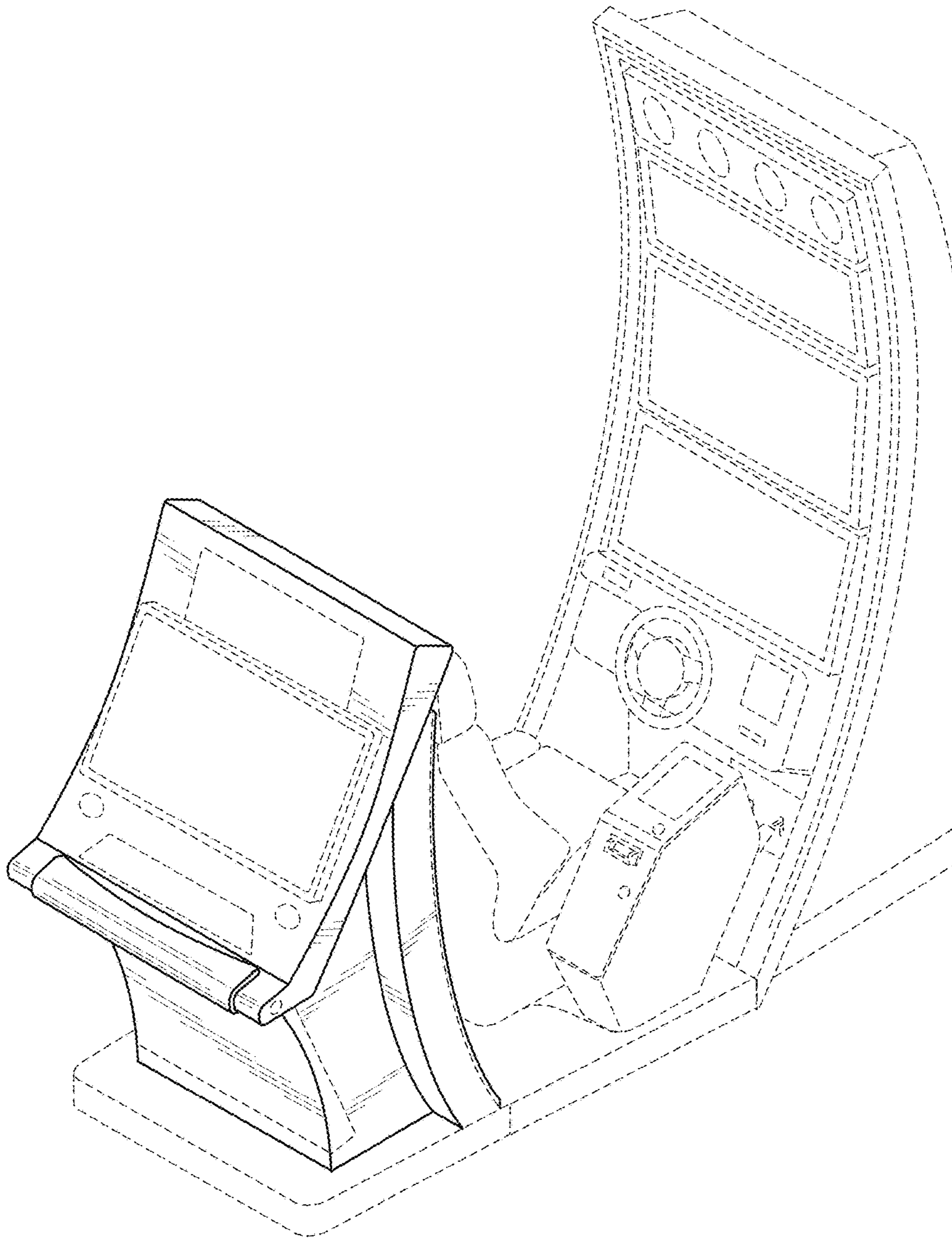


FIG. 8