

US00D839356S

(12) **United States Design Patent**
Sumii

(10) **Patent No.:** **US D839,356 S**

(45) **Date of Patent:** **** Jan. 29, 2019**

- (54) **ARITHMETIC AND CONTROL UNIT**
- (71) Applicant: **SONY INTERACTIVE ENTERTAINMENT INC.**, Tokyo (JP)
- (72) Inventor: **Tetsu Sumii**, Tokyo (JP)
- (73) Assignee: **SONY INTERACTIVE ENTERTAINMENT INC.**, Tokyo (JP)

- 6,941,181 B1 * 9/2005 Mathurin H04N 5/765
700/94
- D520,998 S * 5/2006 Sanefuji D14/356
- D521,994 S * 5/2006 Sanefuji D14/356
- 7,090,582 B2 * 8/2006 Danieli A63F 13/12
463/35
- D565,567 S * 4/2008 Goto D14/356
- D576,162 S * 9/2008 Mine D14/356
- D709,959 S * 7/2014 Jacobs D21/332

(Continued)

(**) Term: **15 Years**

(21) Appl. No.: **29/594,577**

(22) Filed: **Feb. 21, 2017**

(30) **Foreign Application Priority Data**

Aug. 26, 2016 (JP) 2016-018243

(51) **LOC (11) Cl.** **21-01**

(52) **U.S. Cl.**
USPC **D21/333**; D14/356; D21/332

(58) **Field of Classification Search**
USPC D14/496, 356-358, 498, 499, 168, 242,
D14/243, 203.1-203.7; D21/324-333;
D13/158, 159, 162, 184, 199; 273/148 B;
467/1, 35-43, 46, 47; 345/156, 169,
345/173-179, 905; 715/727-729;
455/3.01-3.06, 550, 573.1
CPC . G06F 1/16; G06F 1/1607; G06F 9/00; G06F
13/00; G05F 1/1601; A63F 2003/046;
A63F 2003/0463; A63F 9/00
See application file for complete search history.

(56) **References Cited**

U.S. PATENT DOCUMENTS

- 4,698,707 A * 10/1987 Heys, Jr. G11B 33/027
312/284
- D344,267 S * 2/1994 Ueda D14/355
- 5,914,707 A * 6/1999 Kono G06K 19/08
345/173
- 6,565,444 B2 * 5/2003 Nagata G06F 1/20
361/695

OTHER PUBLICATIONS

Jason Schreier, "Apparent PS4 Slim Leaks on Auction Site",
<http://kotaku.com/apparent-ps4-slim-leaks-on-auction-site-1785564272>, Aug. 23, 2016.

Primary Examiner — Keli L Hill

(74) *Attorney, Agent, or Firm* — Young & Thompson

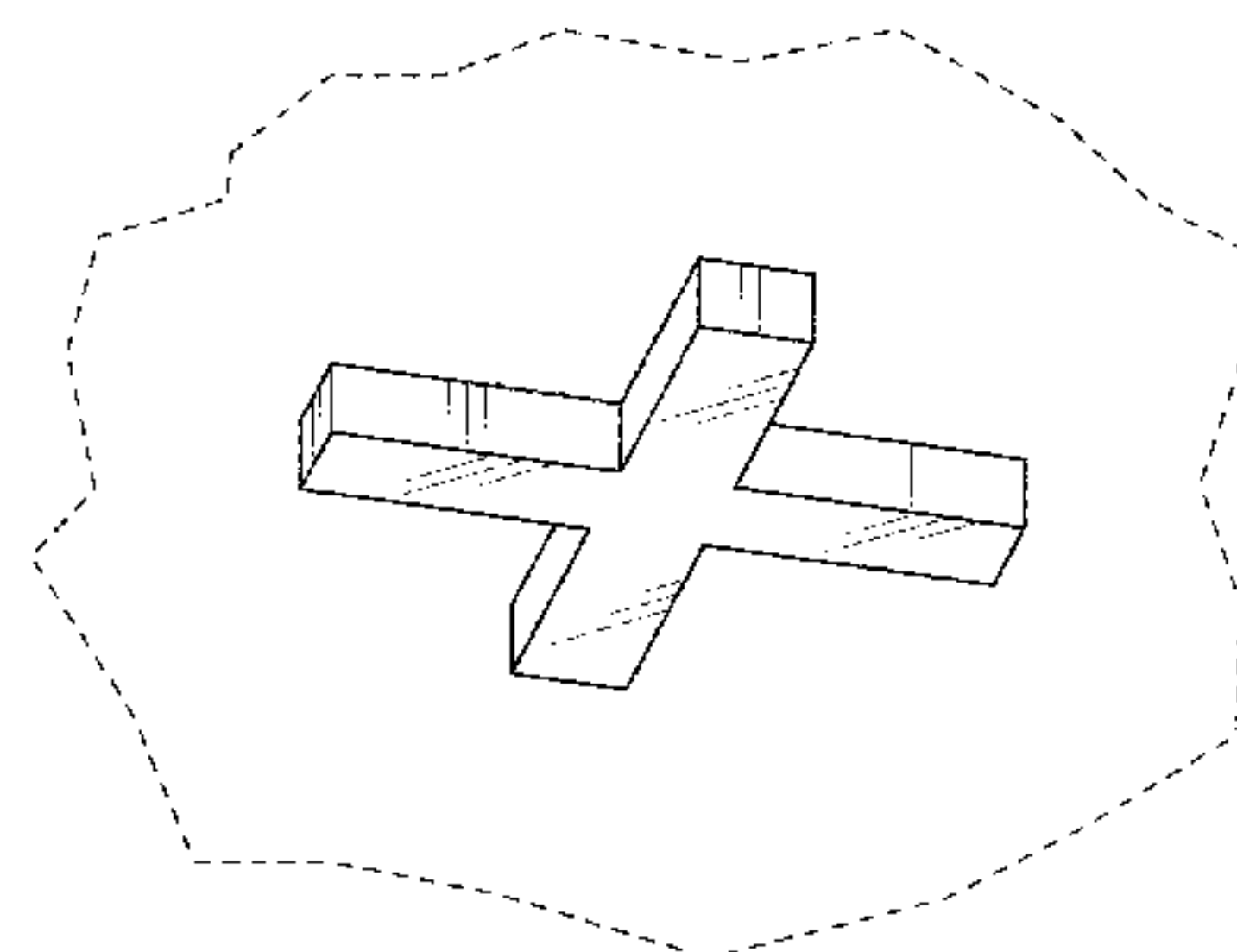
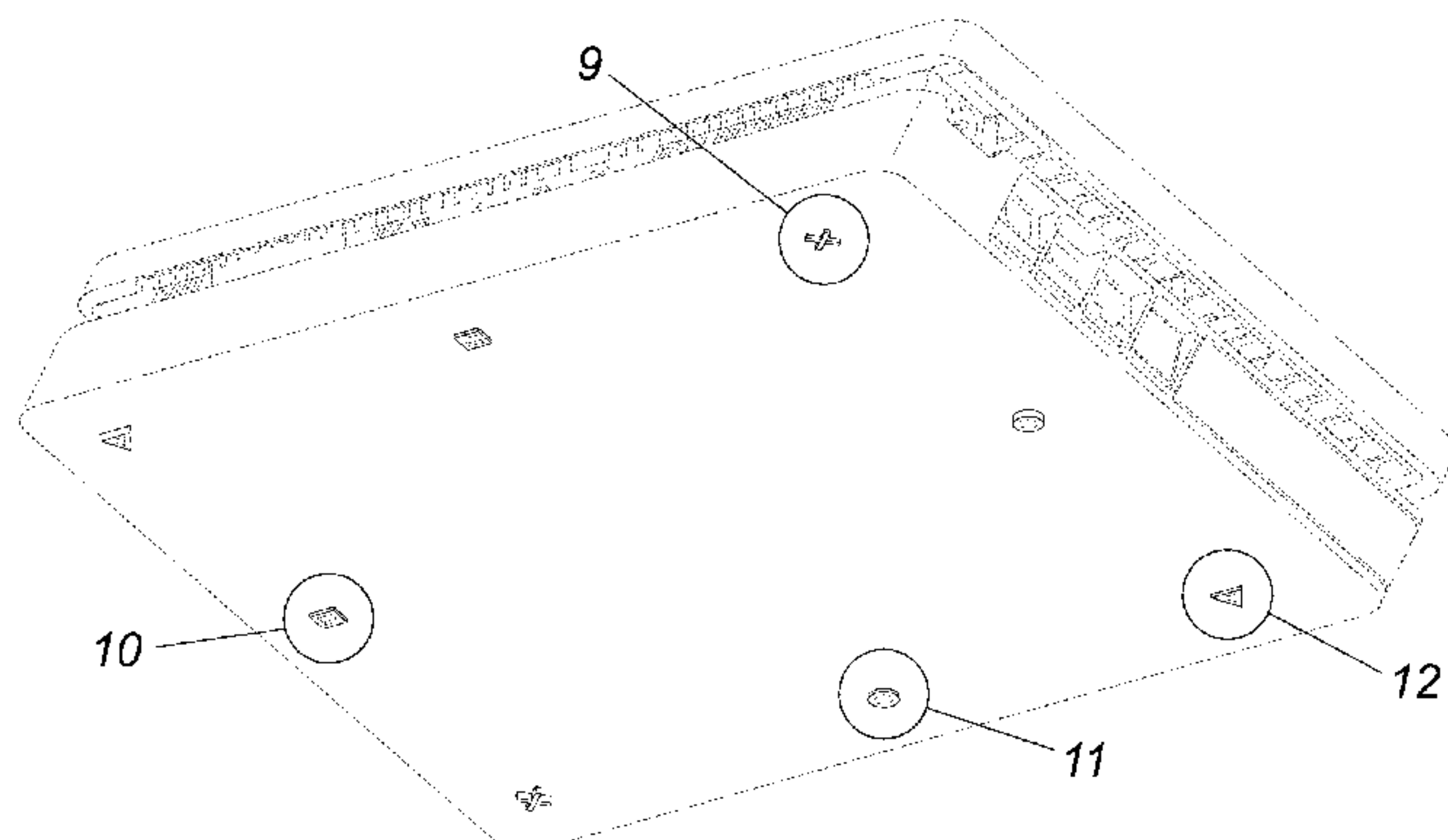
(57) **CLAIM**

The ornamental design for an arithmetic and control unit, as shown and described.

DESCRIPTION

FIG. 1 is a perspective view of front, top and right side of an arithmetic and control unit showing my new design; FIG. 2 is a perspective view of rear, bottom and right side thereof; FIG. 3 is a front view thereof; FIG. 4 is a rear view thereof; FIG. 5 is a left side view thereof; FIG. 6 is a right side view thereof; FIG. 7 is a top view thereof; FIG. 8 is a bottom view thereof; FIG. 9 is an enlarged view at area 9 thereof; FIG. 10 is an enlarged view at area 10 thereof; FIG. 11 is an enlarged view at area 11 thereof; and, FIG. 12 is an enlarged view at area 12 thereof. The broken lines form no part of the claimed design.

1 Claim, 8 Drawing Sheets



(56)

References Cited

U.S. PATENT DOCUMENTS

D717,292 S * 11/2014 Koberling D14/314
D754,658 S * 4/2016 Sumii D14/363

* cited by examiner

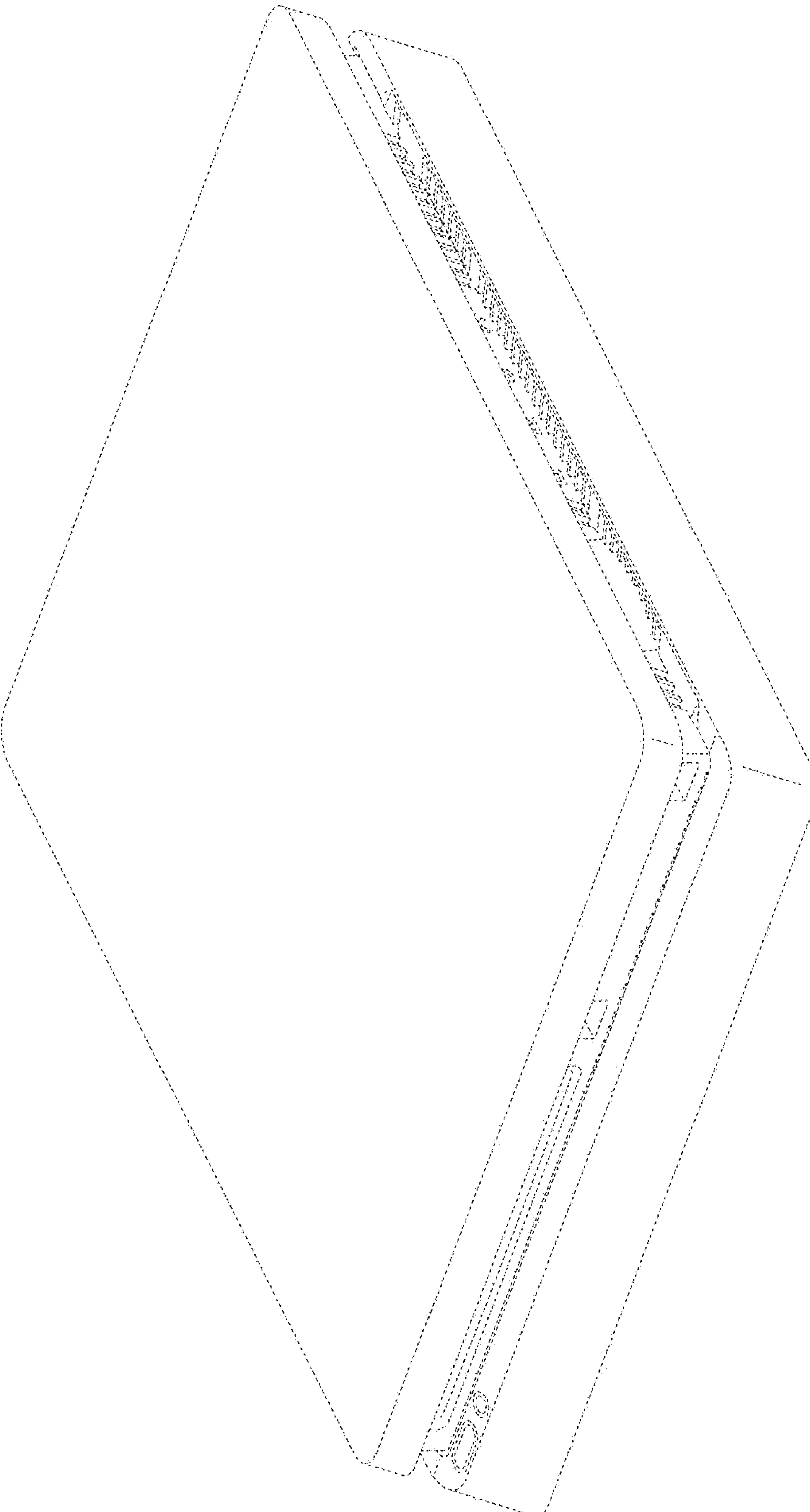


FIG. 1

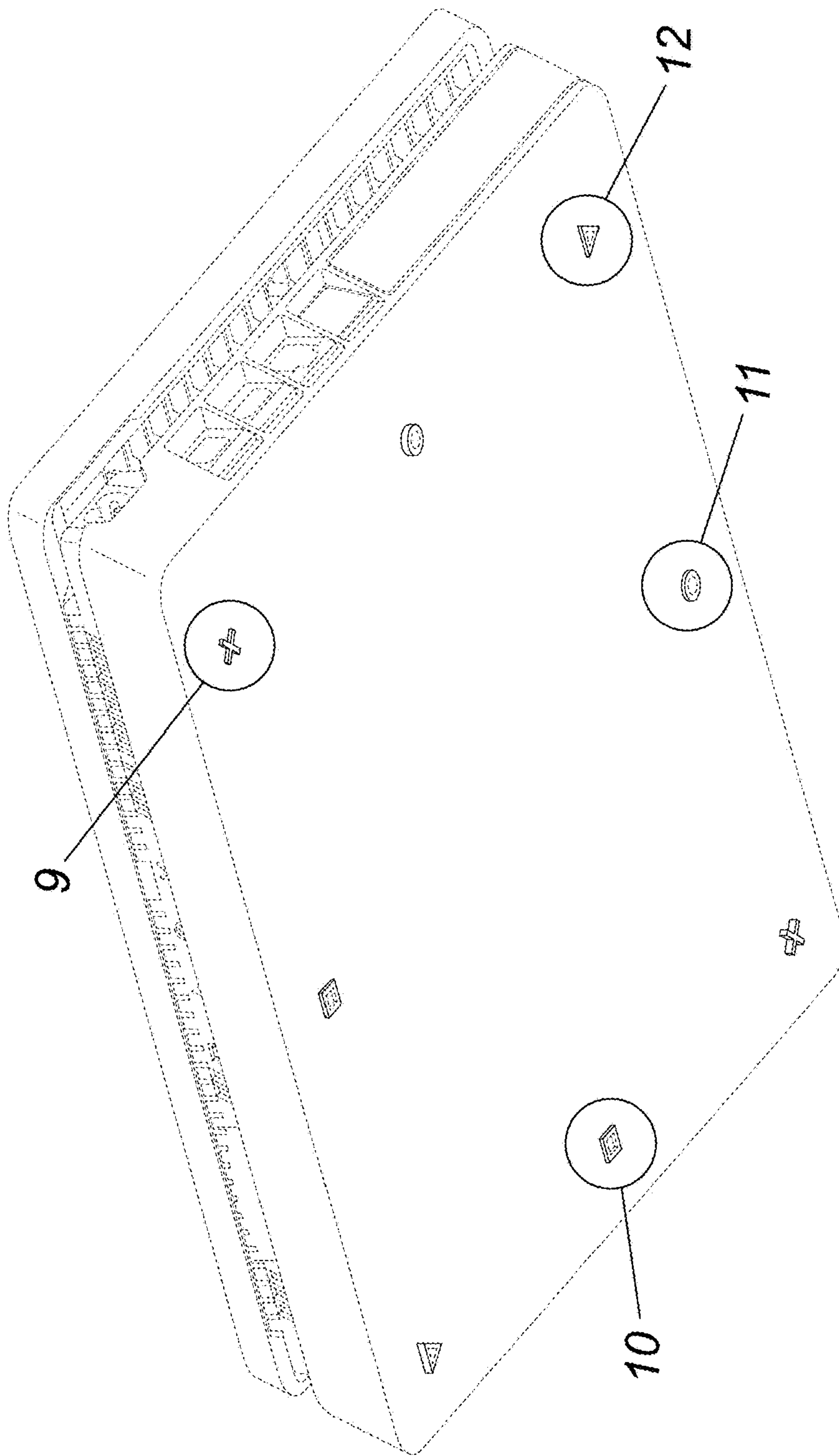


FIG. 2

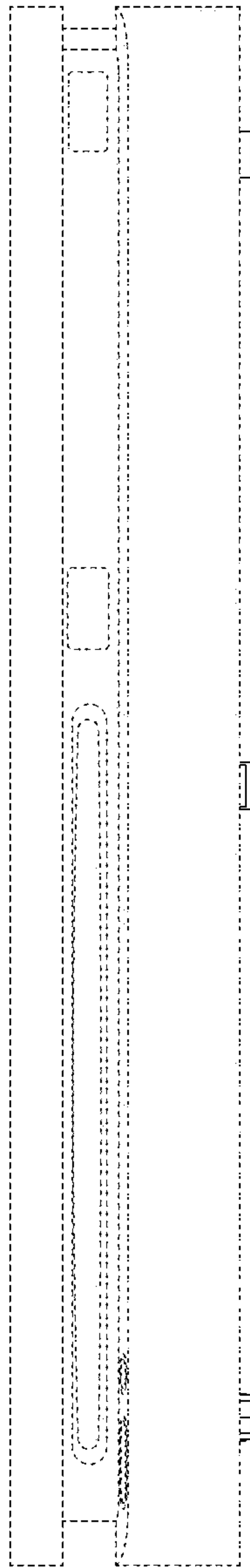


FIG. 3

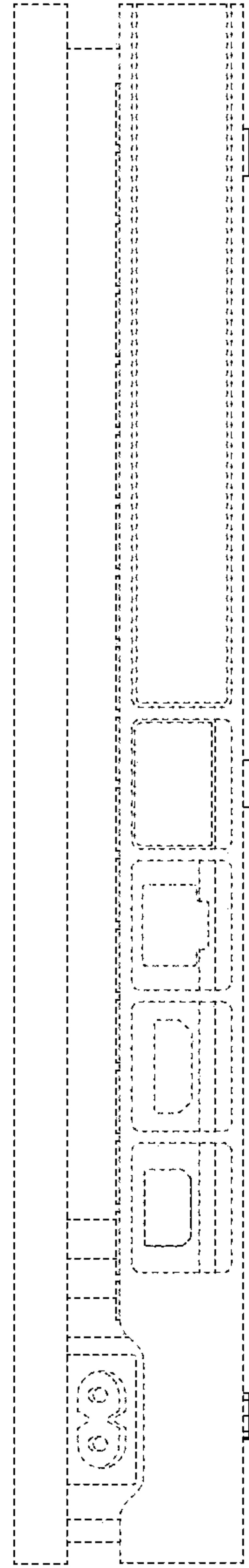


FIG. 4

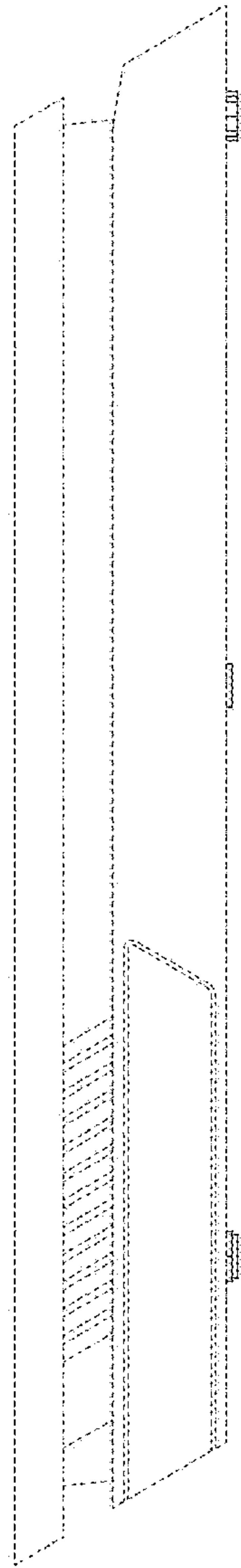


FIG. 5

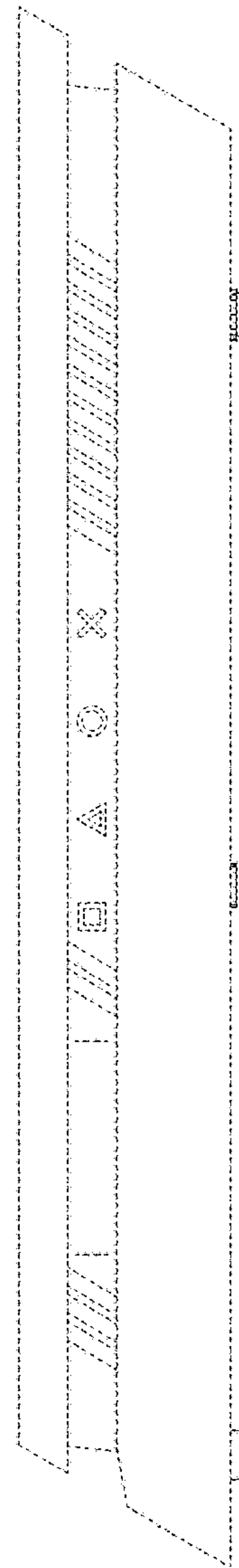


FIG. 6

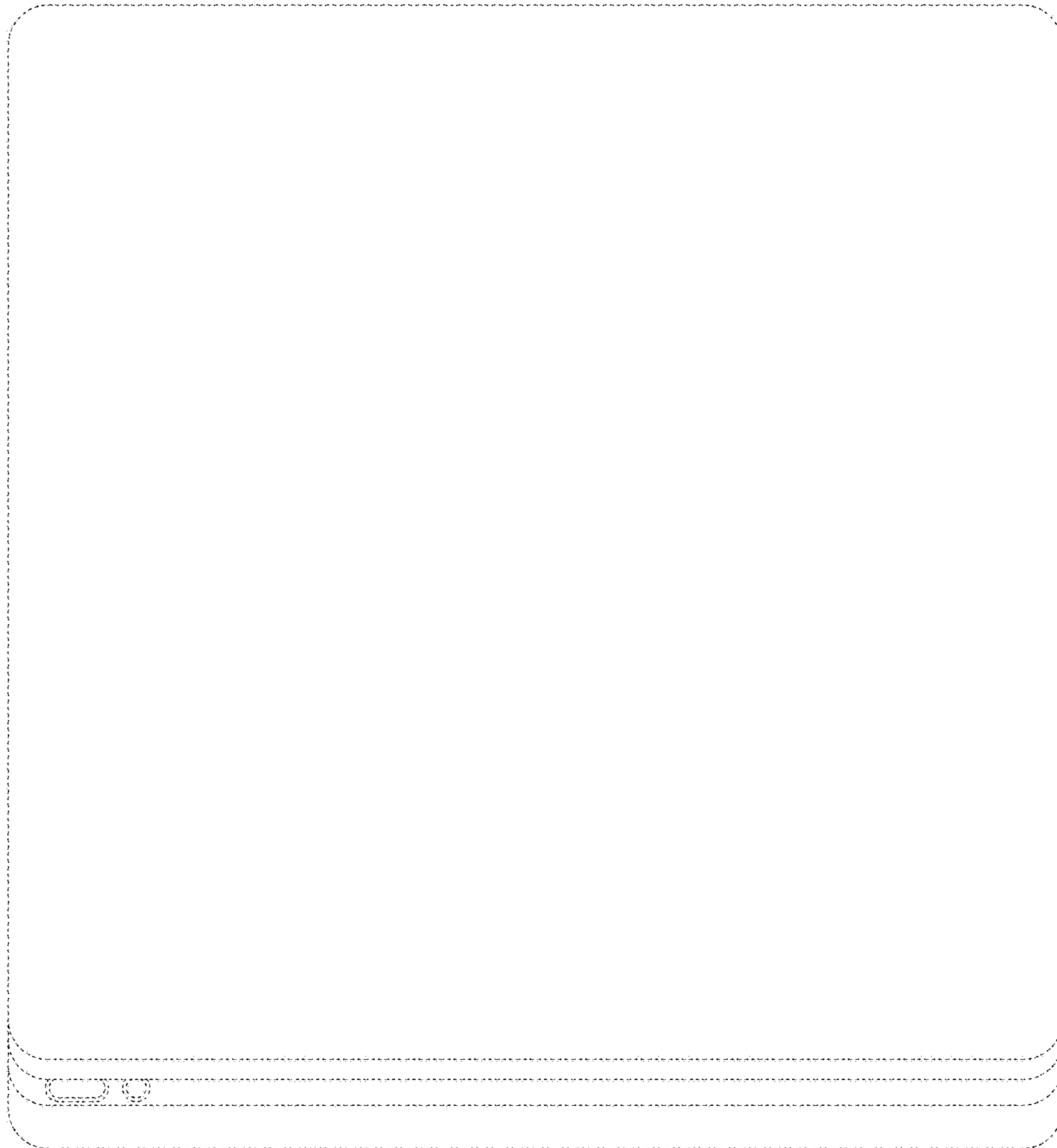


FIG. 7

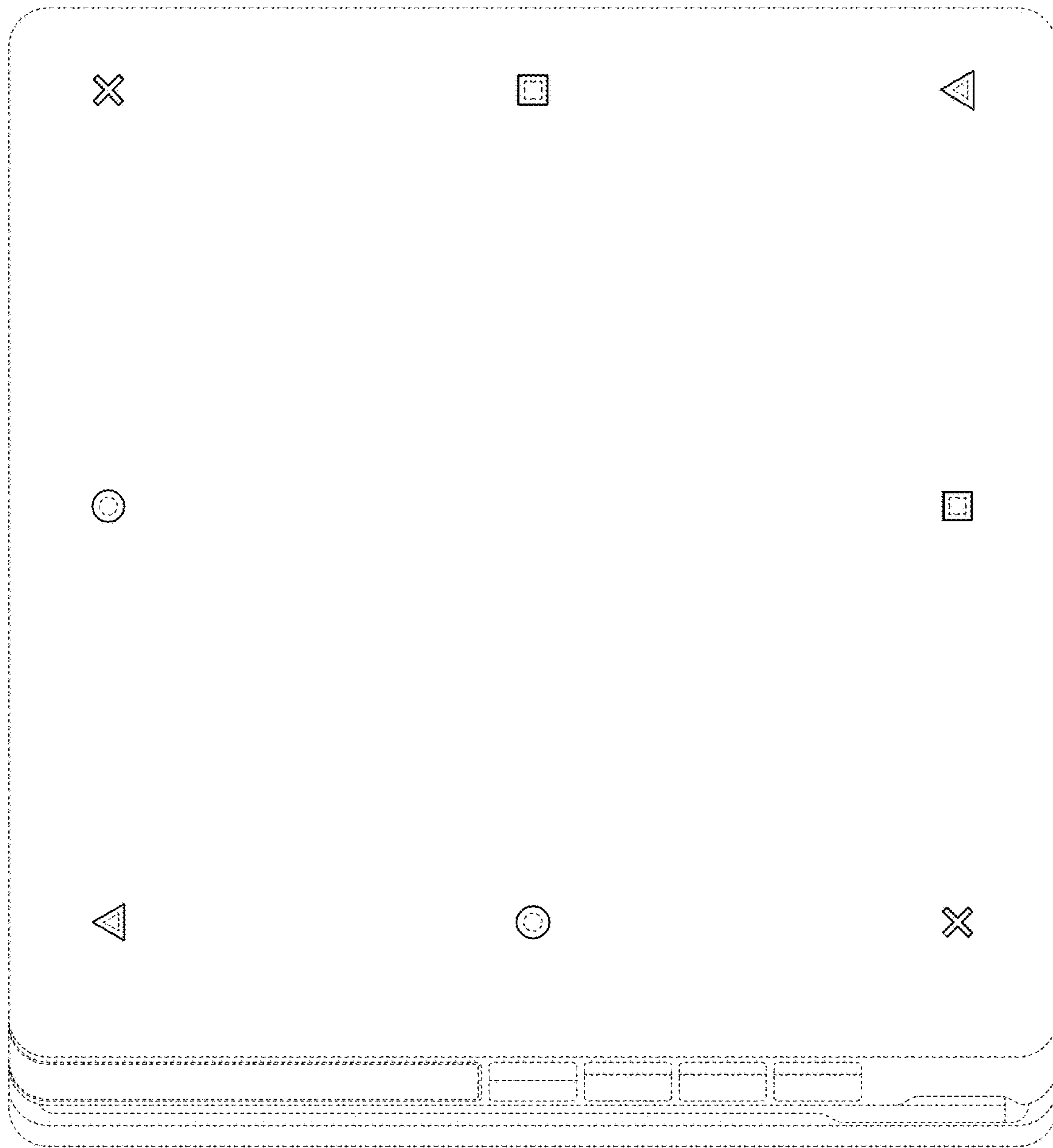


FIG. 8

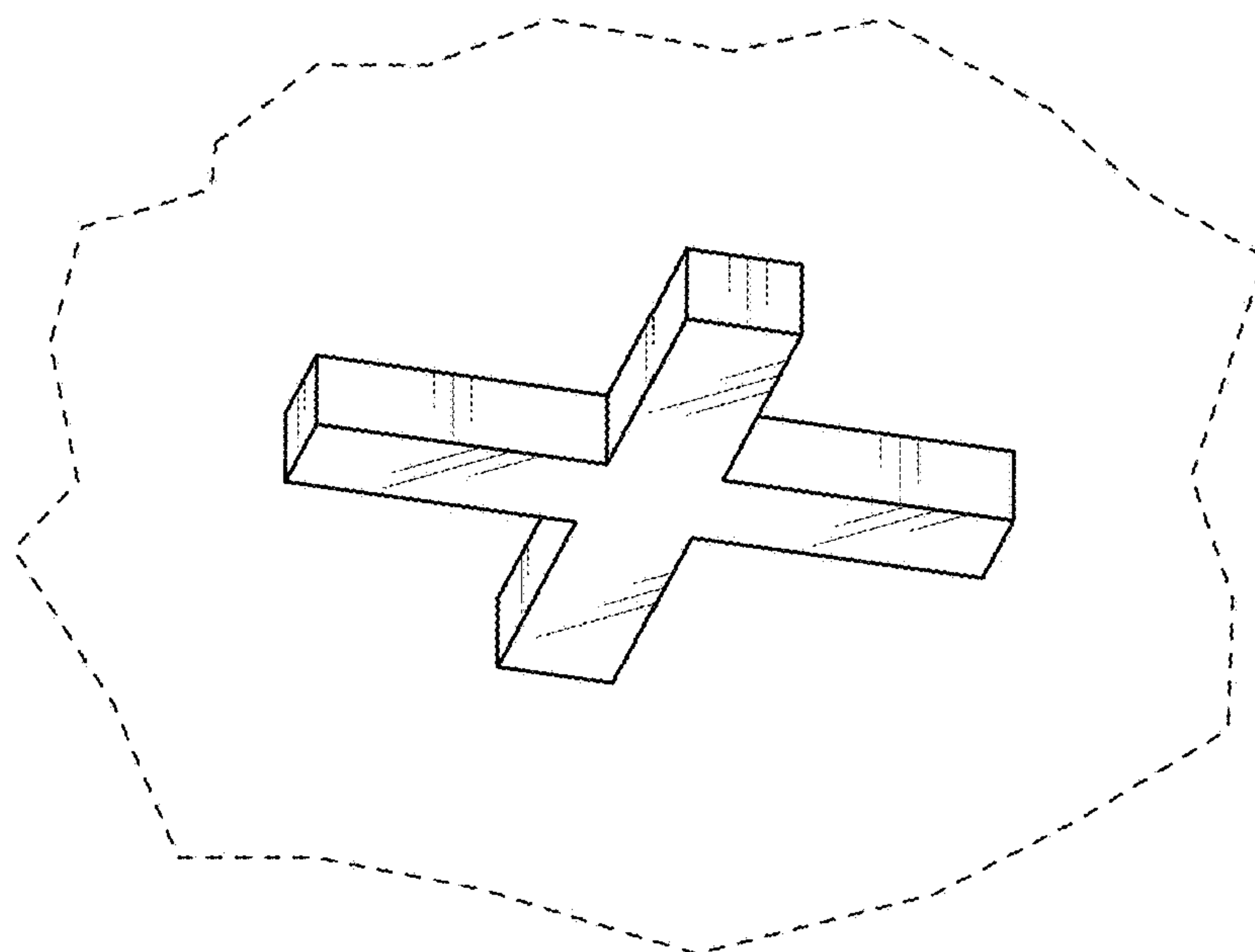


FIG. 9

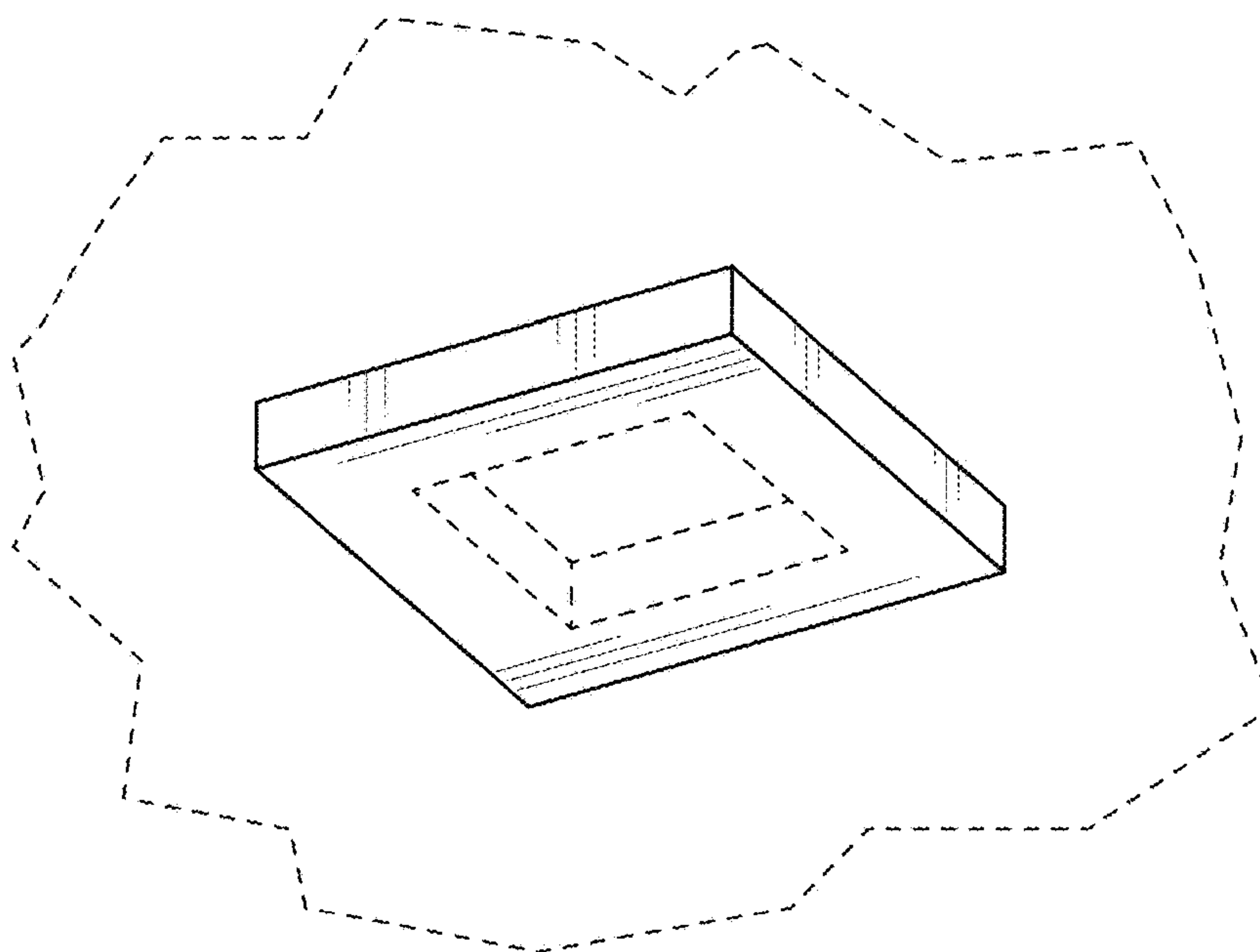


FIG. 10

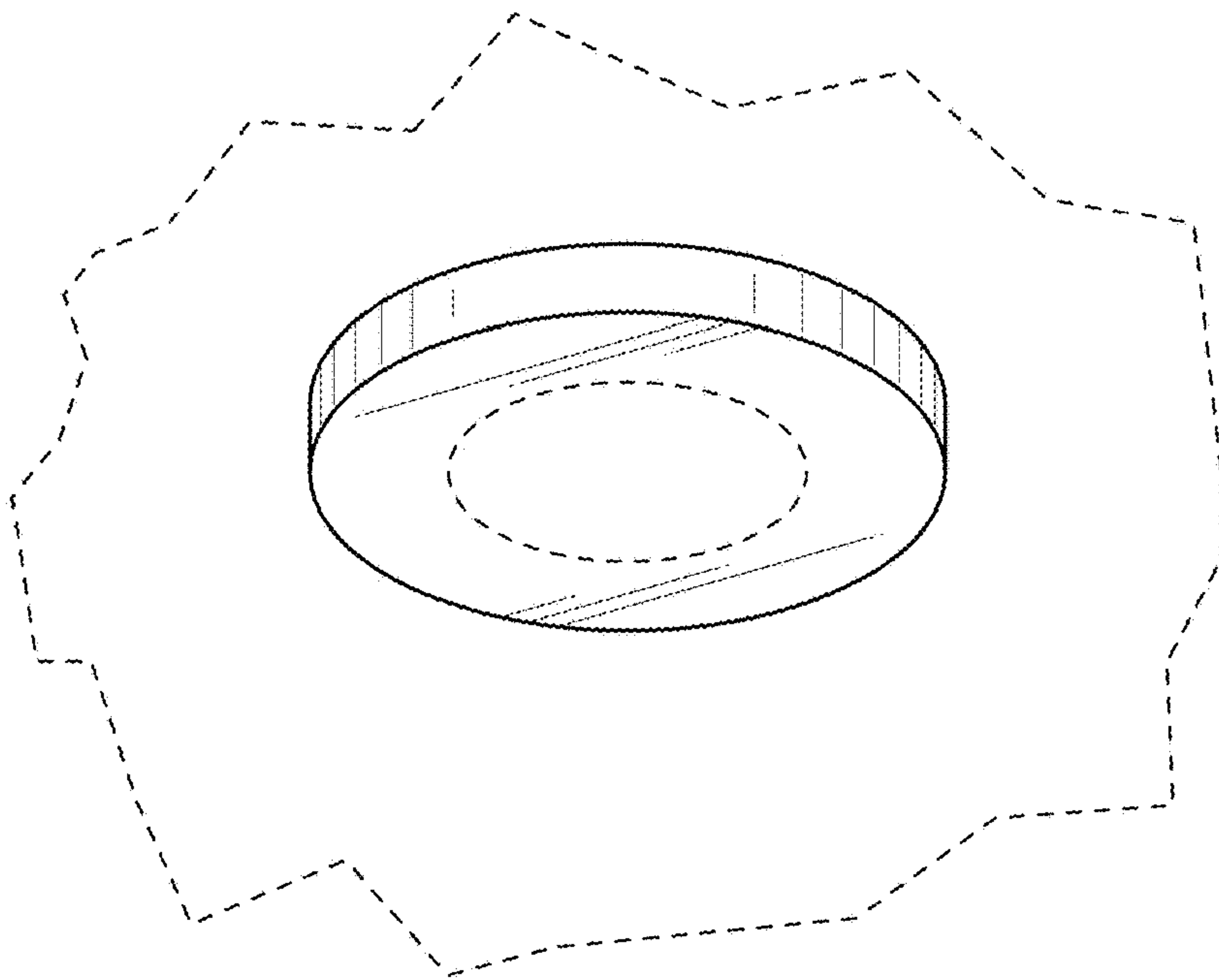


FIG. 11

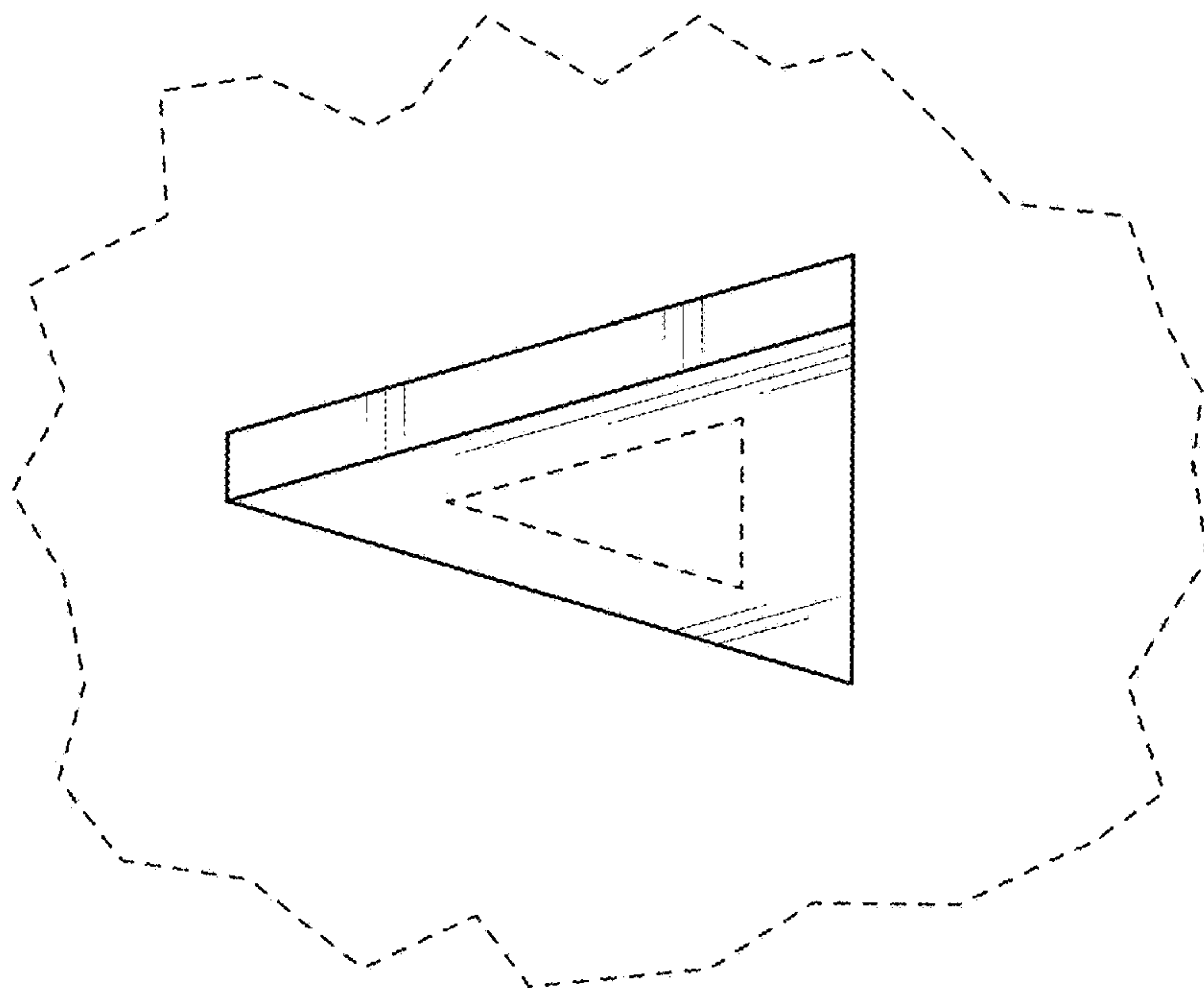


FIG. 12