



US00D839355S

(12) **United States Design Patent**
Christie et al.

(10) **Patent No.:** **US D839,355 S**
(45) **Date of Patent:** **** Jan. 29, 2019**

(54) **ELECTRONIC HOUSING**

(71) Applicant: **Microsoft Corporation**, Redmond, WA (US)

(72) Inventors: **Brett D. Christie**, Seattle, WA (US); **Bryan A. Sparks**, Sammamish, WA (US); **Carl J. Ledbetter**, Mercer Island, WA (US); **Gregory Jones**, Seattle, WA (US); **Nicolas Denhez**, Seattle, WA (US); **Scott Dallmeyer**, Seattle, WA (US)

(73) Assignee: **Microsoft Corporation**, Redmond, WA (US)

(**) Term: **15 Years**

(21) Appl. No.: **29/607,141**

(22) Filed: **Jun. 9, 2017**

(51) **LOC (11) Cl.** **21-01**

(52) **U.S. Cl.**
USPC **D21/332**; D14/496

(58) **Field of Classification Search**
USPC D14/496, 401, 435, 474, 483, 217, 137, D14/138, 160, 168, 356, 203.1-203.8, D14/507; 345/156, 169, 173-179, 905; 715/727-729, 864; 710/1, 5, 8; 713/1, 713/600; 455/1.1, 1.7, 73, 344-347, 93, 455/95, 3.01-3.06, 550.1, 573.1; 370/342-344; 369/1, 2, 6-12; 463/43-47, 29-35; 273/148 B; D21/324-333
CPC A63F 9/00; A63F 9/24; A63F 11/00; A63F 13/00; A63F 2300/00; H04J 1/08; H04J 15/00; H04J 14/02; H04J 2203/0025
See application file for complete search history.

(56) **References Cited**

U.S. PATENT DOCUMENTS

D336,287 S 6/1993 Mizusugi et al.
D338,882 S 8/1993 Reiter

D341,280 S 11/1993 Garman
D369,789 S 5/1996 Lucente, II et al.
D393,451 S 4/1998 Faranda et al.
D402,641 S 12/1998 Heijnen
5,914,707 A 6/1999 Kono

(Continued)

FOREIGN PATENT DOCUMENTS

JP 2002246639 A 8/2002
JP 2002323633 A 11/2002
JP 2003008054 A 1/2003

OTHER PUBLICATIONS

Way Back Machine [online], [retrieved Jan. 16, 2013]. Retrieved from internet, <http://web.archive.org/web/20130116120917/http://www.klipsch.com/gallery-g17-air>.

(Continued)

Primary Examiner — Keli L Hill

(74) *Attorney, Agent, or Firm* — Banner & Witcoff, Ltd.

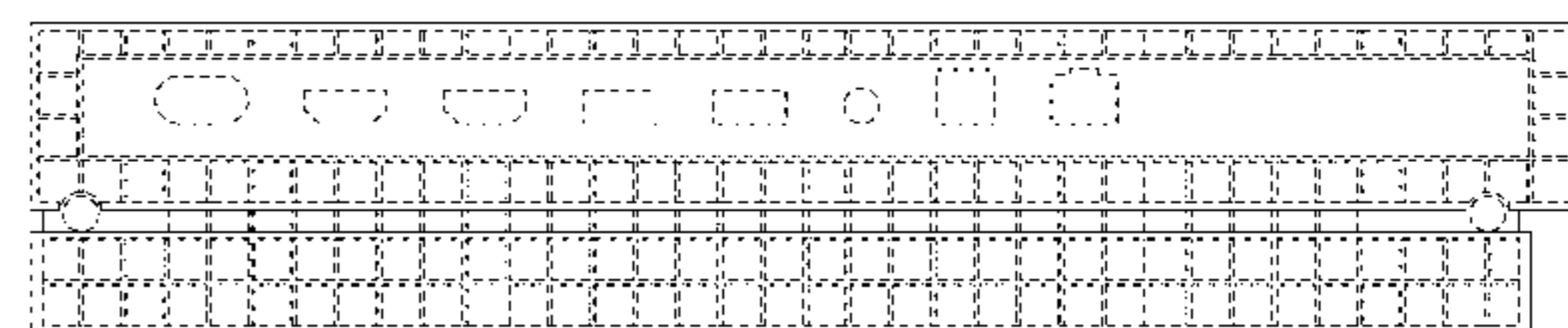
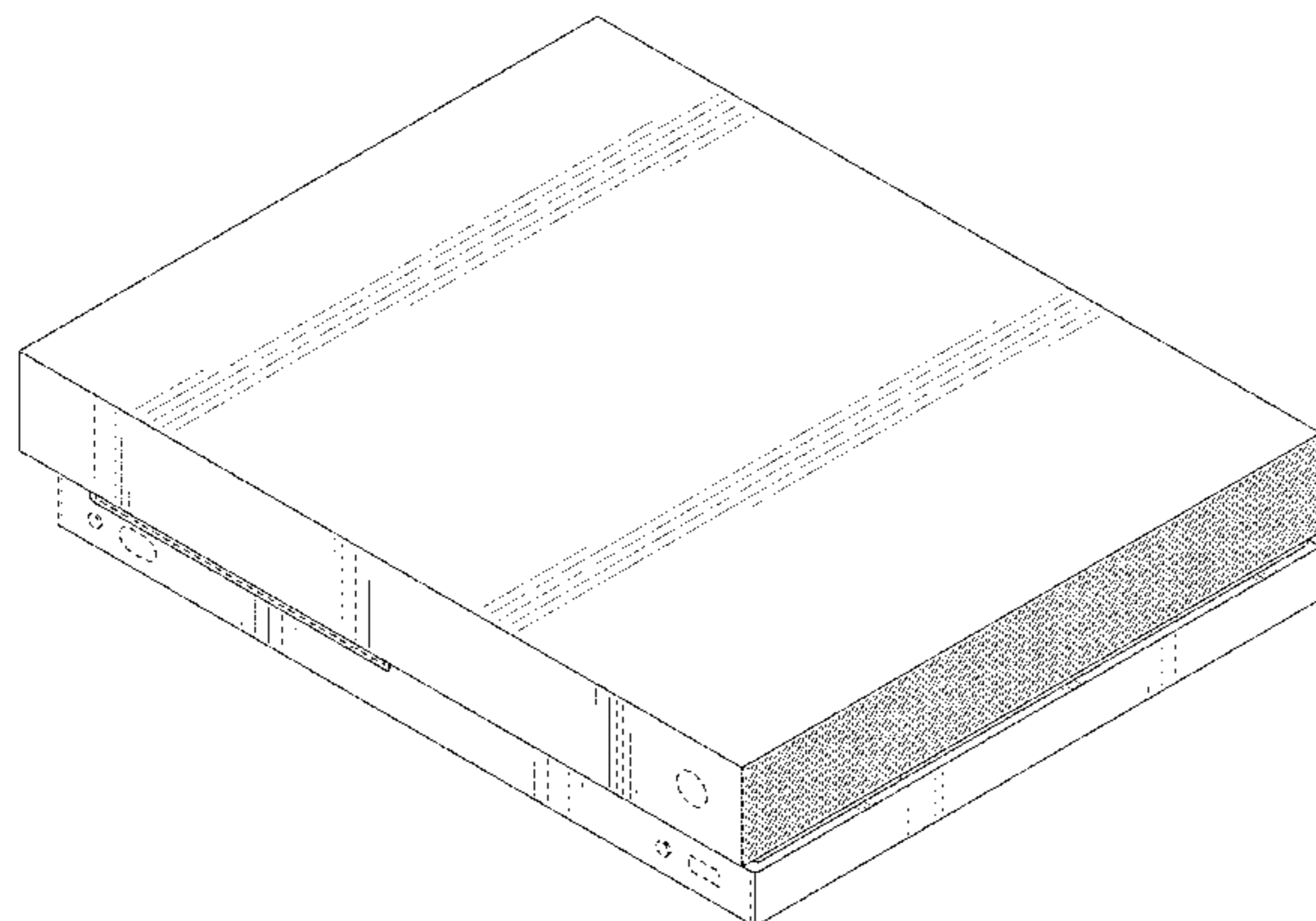
(57) **CLAIM**

The ornamental design for an electronic housing, as shown and described.

DESCRIPTION

FIG. 1 is a front perspective view of an electronic housing showing our new design;
FIG. 2 is a front view thereof;
FIG. 3 is a rear view thereof;
FIG. 4 is a right side view thereof;
FIG. 5 is a left side view thereof;
FIG. 6 is a top view thereof; and,
FIG. 7 is a bottom view thereof.
The broken line showing of the various unshaded elements of the electronic housing in FIGS. 1-7 illustrates environmental structure and forms no part of the claimed design.

1 Claim, 7 Drawing Sheets



(56)

References Cited

U.S. PATENT DOCUMENTS

D412,319	S	7/1999	Lee et al.	
D415,740	S	10/1999	Lee et al.	
D415,741	S	10/1999	Lee et al.	
D416,547	S	11/1999	Lee et al.	
D435,272	S	12/2000	Swanson et al.	
D438,543	S	3/2001	Goto	
D441,759	S	5/2001	Goto	
D452,282	S	12/2001	Stewart et al.	
D452,495	S	12/2001	Murnaghan et al.	
D452,867	S	1/2002	Goto	
D458,269	S	6/2002	Goto	
6,565,444	B2	5/2003	Nagata et al.	
6,599,194	B1 *	7/2003	Smith	A63F 13/12 463/30
D486,492	S	2/2004	Sheu et al.	
6,908,387	B2 *	6/2005	Hedrick	G07F 17/0014 463/31
6,930,600	B1	8/2005	Hsieh	
6,941,181	B1	9/2005	Mathurin	
D524,242	S	7/2006	Adams et al.	
7,090,582	B2	8/2006	Danieli et al.	
D554,582	S	11/2007	Iseki	
D557,680	S	12/2007	Corsini	
D561,186	S	2/2008	Kawase	
D568,276	S	5/2008	Ikeda et al.	
D576,686	S	9/2008	Ashida et al.	
D606,094	S	12/2009	Kimura	
D610,625	S	2/2010	Guinchard et al.	
D641,024	S	7/2011	Zenri et al.	
D647,918	S	11/2011	Ledbetter et al.	
D650,448	S	12/2011	Zenri et al.	
D655,351	S	3/2012	Zenri et al.	
D656,555	S	3/2012	Zenri et al.	
D657,788	S	4/2012	Ledbetter et al.	
D664,993	S	8/2012	Ledbetter et al.	
D665,424	S	8/2012	Ledbetter et al.	
D666,680	S	9/2012	Mercier et al.	
D680,174	S	4/2013	Mercier et al.	
D685,795	S	7/2013	Paschke et al.	
D692,009	S	10/2013	Ashida et al.	
D692,437	S	10/2013	Sugino et al.	
D700,246	S	2/2014	Jacobs et al.	
D701,213	S	3/2014	Pajic	
D705,361	S	5/2014	Jacobs et al.	
D705,869	S *	5/2014	Jacobs	D14/496
D705,870	S	5/2014	Jacobs et al.	
D705,871	S	5/2014	Jacobs et al.	
D709,133	S	7/2014	Jacobs et al.	
D709,134	S	7/2014	Dallmeyer et al.	
D709,959	S *	7/2014	Jacobs	D21/332
D711,923	S	8/2014	Dallmeyer et al.	
D712,350	S	9/2014	Smith et al.	
D713,420	S	9/2014	Dallmeyer et al.	
D719,958	S	12/2014	Dallmeyer et al.	
D721,138	S *	1/2015	Barinaga	D21/332
D722,116	S *	2/2015	Gottschalk	D21/332
D726,729	S	4/2015	Lim	
D747,322	S	1/2016	Li	
D766,984	S	9/2016	Chatterjee et al.	
D766,985	S	9/2016	Chatterjee et al.	
D768,639	S	10/2016	Sumii	
D805,132	S *	12/2017	Sparks	D21/332
D805,133	S *	12/2017	Sparks	D21/332

OTHER PUBLICATIONS

Nintendo NES [online], [retrieved on May 14, 2013]. Retrieved from internet, <http://gamesdbase.com/system-nintendo_nes.aspx/>

“Nintendo Wii Review”, Top 10 Reviews ; URL: <http://www.toptenreviews.com/electronics/gaming/best-video-game-consoles/nintendo-wii/review/> ; date accessed Sep. 27, 2016.

“PS4 Console”, PS4 Features, Games & Videos ; <URL:https://www.playstation.com/en-us/explore/ps4/> ; date accessed Sep. 27, 2016.

“Sony Playstation 2”, The Video Game Critic’s Console Reviews ; <URL:http://videogamecritic.com/ps2info.htm> ; date accessed Sep. 27, 2016.

X Box One S found online [Nov. 2, 2016] http://www.xbox.com/en-US/xbox-one-s?&ocid=PORTALS_SEM_google_microsoft%20xbox&cid=PORTALS_SEM_google_microsoft%20xbox.

Nov. 30, 2016—(US) Non-Final Office Action—U.S. Appl. No. 29/564,527, filed May 13, 2016; Inv.: Bryan A. Sparks.

Nov. 28, 2016—(US) Non-Final Office Action—U.S. Appl. No. 29/564,514, filed May 13, 2016; Inv.: Bryan A. Sparks.

Nov. 30, 2016—(US) Non-Final Office Action—U.S. Appl. No. 29/564,511, filed May 13, 2016; Inv.: Bryan A. Sparks.

Nov. 28, 2016—(US) Non-Final Office Action—U.S. Appl. No. 29/564,518, filed May 13, 2016; Inv.: Bryan A. Sparks.

Nov. 30, 2016—(US) Non-Final Office Action—U.S. Appl. No. 29/564,522, filed May 13, 2016; Inv.: Bryan A. Sparks.

AVS Forum; “Receivers, Amps, and Processors”; Publication date unknown but prior to filing date of present application; Date Accessed: Jul. 25, 2017; URL: <http://www.avforum.com/forum/90-receivers-amps-processors/1502957-onkyo-tx-sr601-any-good.html>.

Ixht.com; “DolbyDigital Surround EX, DTS-ES 6.1”; Publication date unknown but prior to filing date of present application; Date Accessed: Jul. 25, 2017; URL: <http://www.ixht.com/dvd/onkyo-tx-sr-600.shtml>.

Grey Ghost; “Insignia NS-R2000 Stereo Receiver Review”; Publication date unknown but prior to filing date of present application; Date Accessed: Jul. 25, 2017; URL: <http://greyghost.m000.com/nsr2000-review/>.

Crutch Field; “Cambridge Audio Topaz SR20”; Publication date unknown but prior to filing date of present application; Date Accessed: Jul. 25, 2017; URL: <https://www1.crutchfield.com/p_779SR20/Cambridge-Audio-Topaz-SR20.html>.

Stereophile; “Arcam FMJ SR250 stereo AV receiver”; Publication date: Jun. 1, 2017; Date Accessed: Jul. 25, 2017; URL: <https://www.stereophile.com/taxonomy/term-p/143>.

Electronic House; “Affordable 2-channel Receivers for Great Home Stereo Systems”; Publication date: Apr. 1, 2015; Date Accessed: Jul. 25, 2017; URL: <https://www.electronichouse.com/home-audio/affordable-2-channel-receivers-great-home-stereo-systems/>.

Audi Affair; “Arcam FMJ C49 Pre Amplifier”; Publication date unknown but prior to filing date; Date Accessed: Jul. 25, 2017; URL: <http://www.audioaffair.co.uk/arcam-c49-pre-amplifier>.

Hifi-Prestige; “Arcam FMJ A 39”; Publication date unknown but prior to filing date; Date Accessed: Jul. 25, 2017; URL: <http://www.hifiprestige.it/it/amplificatori-integrati/7517-arcam-fmj-a-39.html>.

Hifi-Prestige; “Arcam FMJ AVR 550”; Publication date unknown but prior to filing date; Date Accessed: Jul. 25, 2017; URL: <http://www.hifiprestige.it/it/sintoamplificatori-a-v/9343-arcam-fmj-avr-550.html>.

Hifi-Prestige; “Arcam FMJ C 49”; Publication date unknown but prior to filing date; Date Accessed: Jul. 25, 2017; URL: <http://www.hifiprestige.it/it/preamplificatori/7514-arcam-fmj-c-49.html>.

Hifi-Prestige; “Arcam FMJ UDP 411”; Publication date unknown but prior to filing date; Date Accessed: Jul. 25, 2017; URL: <http://www.hifiprestige.it/it/accessori-multimediali/7519-arcam-fmj-udp-411.html>.

Hifi-Prestige; “Arcam FMJ A19 Black—Amplificatore Integrato”; Publication date unknown but prior to filing date; Date Accessed: Jul. 25, 2017; URL: <http://www.hifiprestige.it/it/amplificatori-integrati/6523-arcam-fmj-a19-black.html>.

Best Buy; “Insignia—200W 2.0-Ch. Stereo Receiver—Black”; Publication date unknown but prior to filing date; Date Accessed: Jul. 25, 2017; URL: <http://www.bestbuy.com/site/insignia-200w-2-0-ch-stereo-receiver-black/4156007.p?skuId=4156007>.

Best Buy; “Yamaha—165W 2.0-Ch. Stereo Receiver—Black”; Publication date unknown but prior to filing date; Date Accessed: Jul. 25, 2017; URL: <http://www.bestbuy.com/site/yamaha-165w-2-0-ch-stereo-receiver-black/3817026.p?skuId=3817026>.

(56)

References Cited

OTHER PUBLICATIONS

Best Buy; “Denon—AVR 5.2-Ch. 4K Ultra HD and 3D Pass-Through A/V Home Theater Receiver—Black”; Publication date unknown but prior to filing date; Date Accessed: Jul. 25, 2017; URL: <<http://www.bestbuy.com/site/denon-avr-5-2-ch-4k-ultra-hd-and-3d-pass-through-a-v-home-theater-receiver-black/5756606.p?skuId=5756606>>.

Best Buy; “Yamaha—5.1-Ch. 4K Ultra HD and 3D Pass-Through A/V Home Theater Receiver—Black”; Publication date unknown but prior to filing date; Date Accessed: Jul. 25, 2017; URL: <<http://www.bestbuy.com/site/yamaha-5-1-ch-4k-ultra-hd-and-3d-pass-through-a-v-home-theater-receiver-black/5784593.p?skuId=5784593>>.

Apr. 5, 2017—(US) Final Office Action—U.S. Appl. No. 29/564,511, filed May 13, 2016; Inv.: Bryan A. Sparks.

Aug. 21, 2017—(US) Notice of Allowance—U.S. Appl. No. 29/564,511, filed May 13, 2016; Inv.: Bryan A. Sparks.

Jan. 3, 2014—(US) Notice of Allowance—U.S. Appl. No. 29/447,078, filed Feb. 28, 2013; Inv.: Joel B. Jacobs.

Jan. 6, 2014—(US) Non-Final Office Action—U.S. Appl. No. 29/447,082, filed Feb. 28, 2013; Inv.: Joel B. Jacobs.

Mar. 12, 2014—(US) Notice of Allowance—U.S. Appl. No. 29/447,082, filed Feb. 28, 2013; Inv.: Joel B. Jacobs.

Jan. 6, 2014—(US) Notice of Allowance—U.S. Appl. No. 29/447,085, filed Feb. 28, 2013; Inv.: Joel B. Jacobs.

Jan. 2, 2014—(US) Requirement for Restriction—U.S. Appl. No. 29/447,089, filed Feb. 28, 2013; Inv.: Joel B. Jacobs.

Mar. 14, 2014—(US) Notice of Allowance—U.S. Appl. No. 29/447,089, filed Feb. 28, 2013; Inv.: Joel B. Jacobs.

Jan. 6, 2014—(US) Notice of Allowance—U.S. Appl. No. 29/447,094, filed Feb. 28, 2013; Inv.: Joel B. Jacobs.

Jan. 7, 2014—(US) Notice of Allowance—U.S. Appl. No. 29/447,097, filed Feb. 28, 2013; Inv.: Joel B. Jacobs.

Jan. 7, 2014—(US) Notice of Allowance—U.S. Appl. No. 29/447,100, filed Feb. 28, 2013; Inv.: Joel B. Jacobs.

Apr. 5, 2017—(US) Final Office Action—U.S. Appl. No. 29/564,514, filed May 13, 2016; Inv.: Bryan A. Sparks.

Aug. 23, 2017—(US) Notice of Allowance—U.S. Appl. No. 29/564,514, filed May 13, 2016; Inv.: Bryan A. Sparks.

Apr. 5, 2017—(US) Final Office Action—U.S. Appl. No. 29/564,518, filed May 13, 2016; Inv.: Bryan A. Sparks.

Aug. 23, 2017—(US) Notice of Allowance—U.S. Appl. No. 29/564,518, filed May 13, 2016; Inv.: Bryan A. Sparks.

Apr. 5, 2017—(US) Final Office Action—U.S. Appl. No. 29/564,522; filed May 13, 2016; Inv.: Bryan A. Sparks.

Aug. 23, 2017—(US) Notice of Allowance—U.S. Appl. No. 29/564,522, filed May 13, 2016; Inv.: Bryan A. Sparks.

Apr. 21, 2017—(US) Non-Final Office Action—U.S. Appl. No. 29/566,652, filed Jun. 1, 2016; Inv.: Bryan A. Sparks.

Sep. 13, 2017—(US) Notice of Allowance—U.S. Appl. No. 29/566,652, filed Jun. 1, 2016; Inv.: Bryan A. Sparks.

Jun. 1, 2017—(US) Non-Final Office Action—U.S. Appl. No. 29/564,601, filed May 13, 2016; Inv.: Bryan A. Sparks.

Apr. 5, 2017—(US) Final Office Action—U.S. Appl. No. 29/564,527; filed May 13, 2016; Inv.: Bryan A. Sparks.

Aug. 23, 2017—(US) Notice of Allowance—U.S. Appl. No. 29/564,527, filed May 13, 2016; Inv.: Bryan A. Sparks.

* cited by examiner

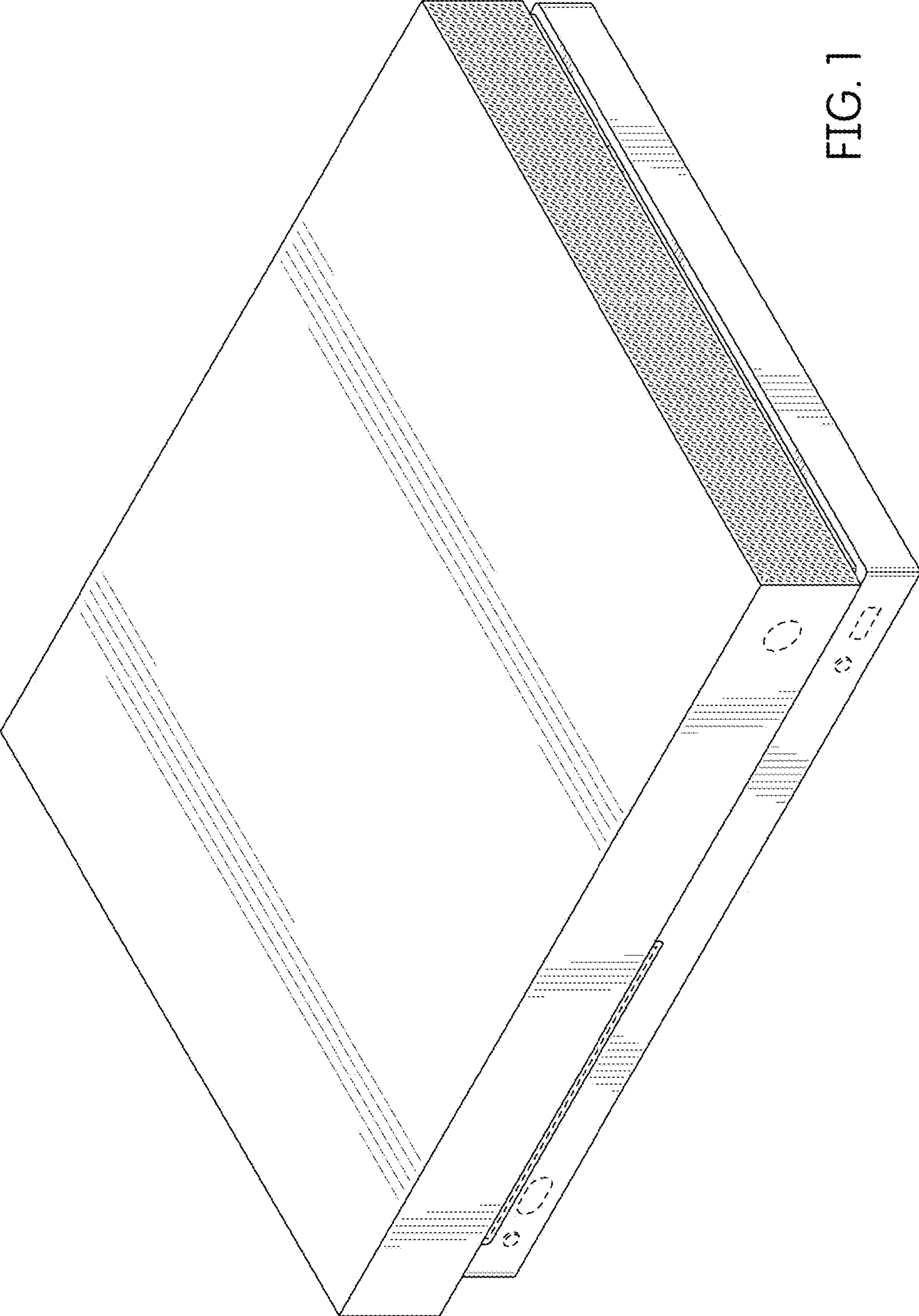


FIG. 1

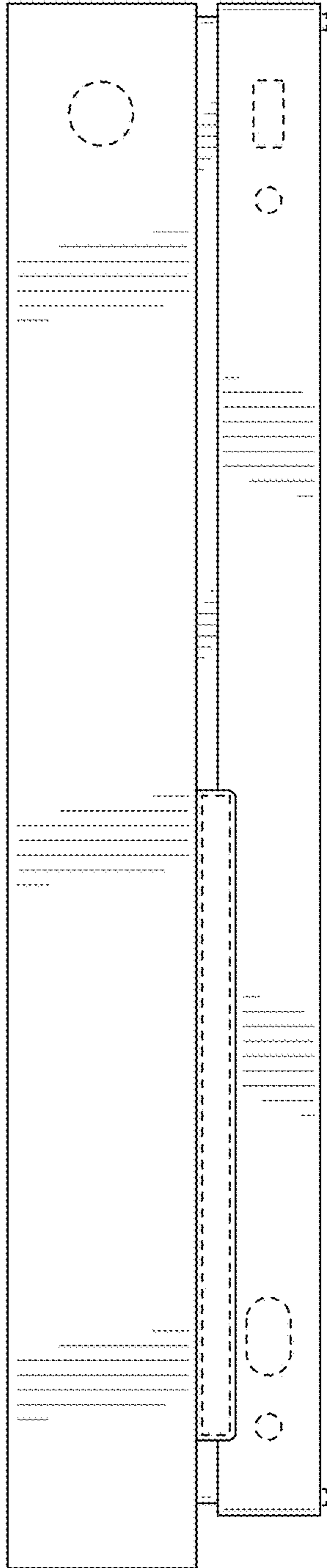


FIG. 2

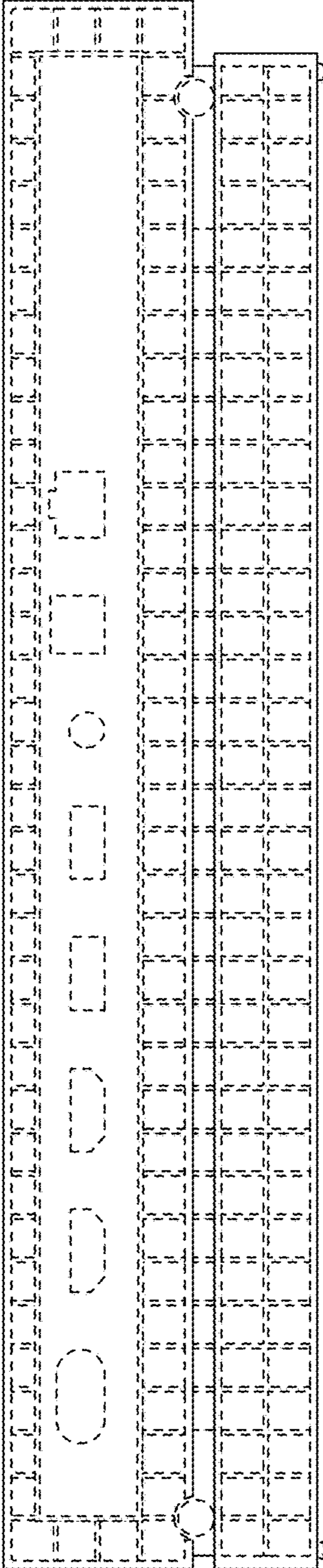


FIG. 3

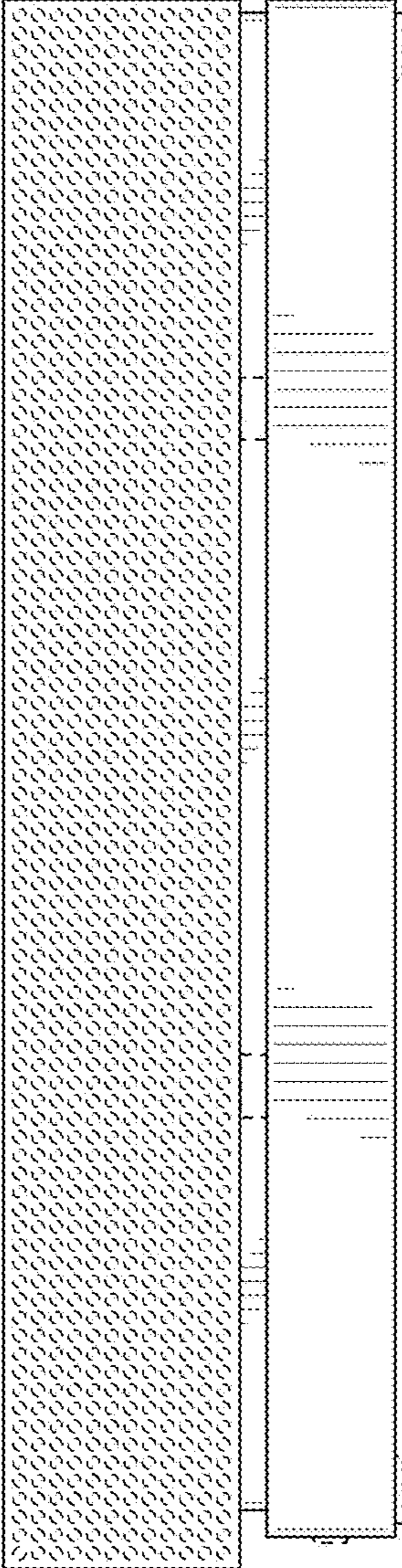


FIG. 4

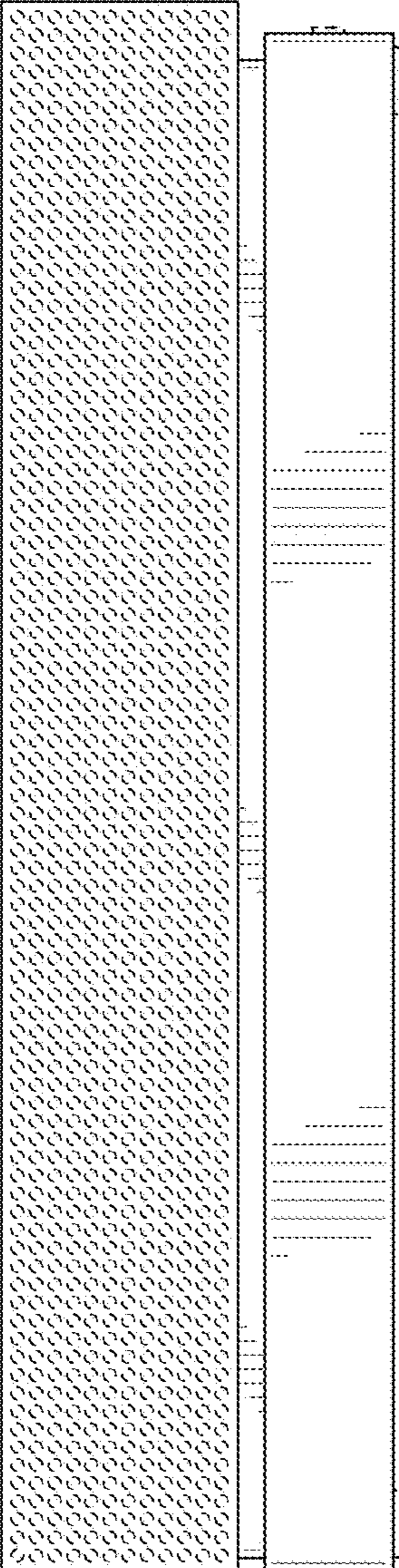


FIG. 5

FIG. 6

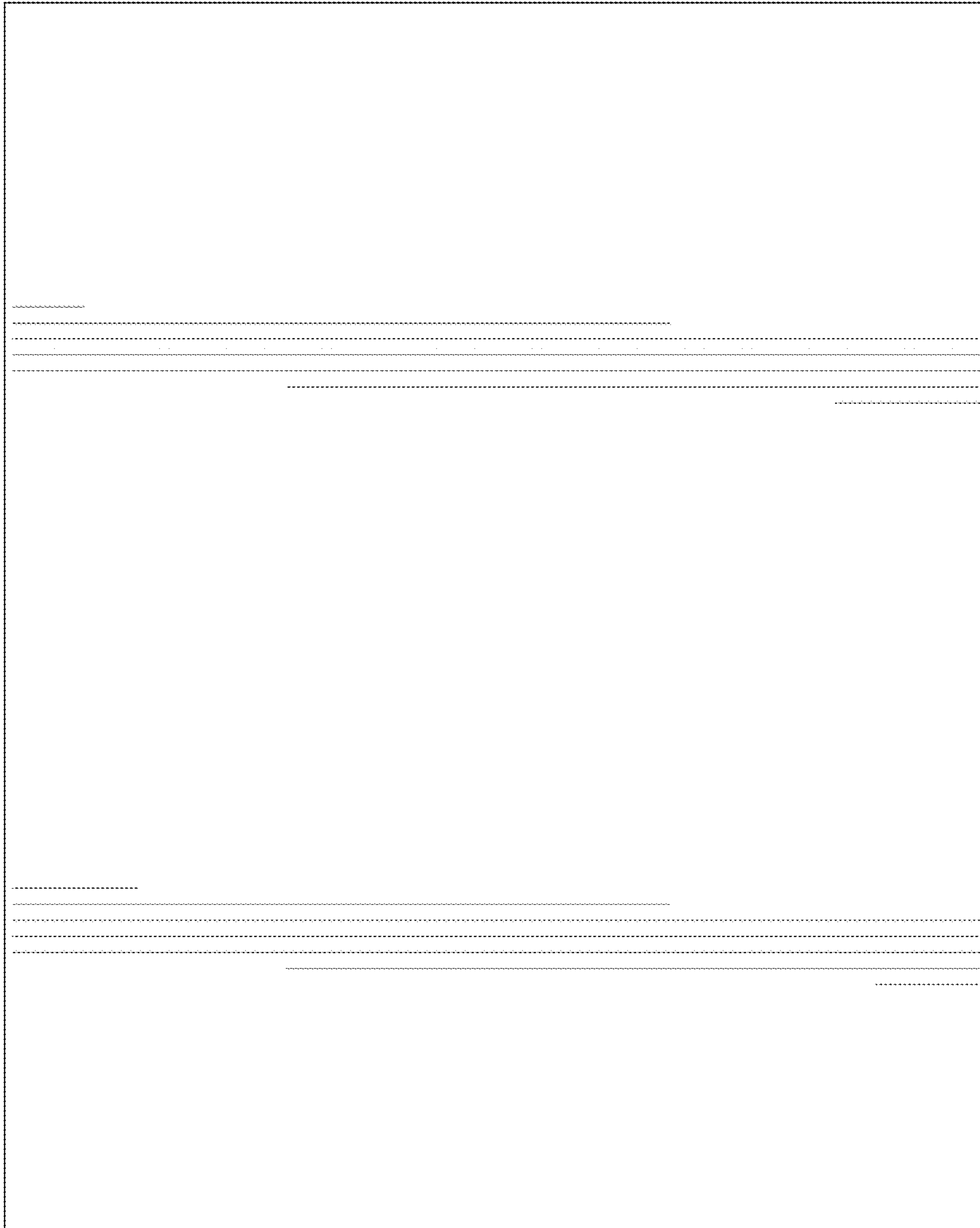


FIG. 7

