

US00D839353S

(12) **United States Design Patent**  
**Christie et al.**

(10) **Patent No.:** **US D839,353 S**  
(45) **Date of Patent:** **\*\* Jan. 29, 2019**

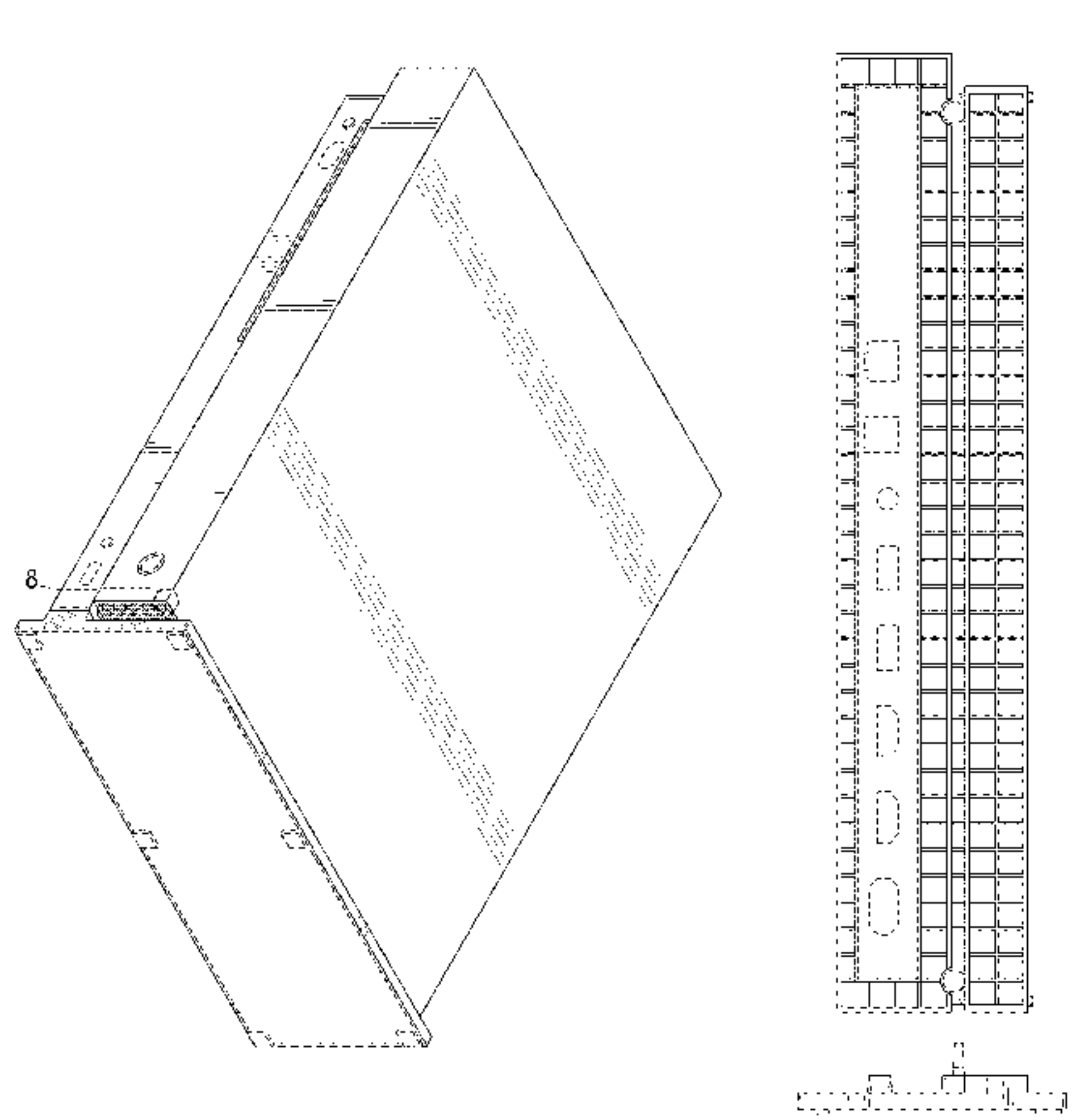
- (54) **ELECTRONIC HOUSING WITH REMOVABLE SUPPORT STAND**
- (71) Applicant: **Microsoft Corporation**, Redmond, WA (US)
- (72) Inventors: **Brett D. Christie**, Seattle, WA (US); **Bryan A. Sparks**, Sammamish, WA (US); **Carl J. Ledbetter**, Mercer Island, WA (US); **Gregory Jones**, Seattle, WA (US); **Nicolas Denhez**, Seattle, WA (US); **Scott Dallmeyer**, Seattle, WA (US)
- (73) Assignee: **Microsoft Corporation**, Redmond, WA (US)
- (\*\*) Term: **15 Years**
- (21) Appl. No.: **29/607,124**
- (22) Filed: **Jun. 9, 2017**
- (51) **LOC (11) Cl.** ..... **21-01**
- (52) **U.S. Cl.**  
USPC ..... **D21/332**; D14/496
- (58) **Field of Classification Search**  
USPC ..... D14/496, 401, 435, 474, 483, 217, 137, D14/138, 160, 168, 356, 203.1-203.8, D14/507; 345/156, 169, 173-179, 905; 715/727-729, 864; 710/1, 5, 8; 713/1, 713/600; 455/1.1, 1.7, 73, 344-347, 93, 455/95, 3.01-3.06, 550.1, 573.1; 370/342-344; 369/1, 2, 6-12; 463/43-47, 29-35; 273/148 B; D21/324-333  
CPC .... A63F 9/00; A63F 9/24; A63F 11/00; A63F 13/00; A63F 2300/00; H04J 1/08; H04J 15/00; H04J 14/02; H04J 2203/0025  
See application file for complete search history.

D369,789 S	5/1996	Lucente, II et al.
D393,451 S	4/1998	Faranda et al.
D402,641 S	12/1998	Heijnen
5,914,707 A	6/1999	Kono
D412,319 S	7/1999	Lee et al.
D415,740 S	10/1999	Lee et al.
D415,741 S	10/1999	Lee et al.
D416,547 S	11/1999	Lee et al.
6,115,249 A *	9/2000	Cipolla ..... G06F 1/1616 248/688
D435,272 S	12/2000	Swanson et al.
D438,543 S	3/2001	Goto
D441,759 S	5/2001	Goto
D452,282 S	12/2001	Stewart et al.
D452,495 S	12/2001	Murnaghan et al.
D452,867 S	1/2002	Goto
D454,136 S *	3/2002	Deuschle ..... D14/447
D458,269 S	6/2002	Goto
6,565,444 B2	5/2003	Nagata et al.
6,599,194 B1 *	7/2003	Smith ..... A63F 13/12 463/30
D486,492 S	2/2004	Sheu et al.
6,908,387 B2 *	6/2005	Hedrick ..... G07F 17/0014 463/31
6,930,600 B1	8/2005	Hsieh
6,941,181 B1	9/2005	Mathurin
D524,242 S	7/2006	Adams et al.
7,090,582 B2	8/2006	Danieli et al.
D554,582 S	11/2007	Iseki
D557,680 S	12/2007	Corsini
D561,186 S	2/2008	Kawase
D568,276 S	5/2008	Ikeda et al.
D576,686 S	9/2008	Ashida et al.
D606,094 S	12/2009	Kimura
D610,625 S	2/2010	Guinchard et al.
D641,024 S	7/2011	Zenri et al.
D647,918 S	11/2011	Ledbetter et al.
D650,448 S	12/2011	Zenri et al.
D655,351 S	3/2012	Zenri et al.
D656,555 S	3/2012	Zenri et al.
D657,788 S	4/2012	Ledbetter et al.
D664,993 S	8/2012	Ledbetter et al.
D665,424 S	8/2012	Ledbetter et al.
D666,680 S	9/2012	Mercier et al.
D680,174 S	4/2013	Mercier et al.
D685,795 S	7/2013	Paschke et al.
D692,009 S	10/2013	Ashida et al.
D692,437 S	10/2013	Sugino et al.
D700,246 S	2/2014	Jacobs et al.
D701,213 S	3/2014	Pajic
D705,361 S	5/2014	Jacobs et al.
D705,869 S *	5/2014	Jacobs ..... D14/496
D705,870 S	5/2014	Jacobs et al.

(56) **References Cited**

**U.S. PATENT DOCUMENTS**

5,196,993 A *	3/1993	Herron ..... F16M 11/10 248/923
D336,287 S	6/1993	Mizusugi et al.
D338,882 S	8/1993	Reiter
D341,280 S	11/1993	Garmon





D705,871 S	5/2014	Jacobs et al.	
D709,133 S	7/2014	Jacobs et al.	
D709,134 S	7/2014	Dallmeyer et al.	
D709,959 S *	7/2014	Jacobs .....	D21/332
D711,923 S	8/2014	Dallmeyer et al.	
D712,350 S	9/2014	Smith et al.	
D713,420 S	9/2014	Dallmeyer et al.	
D719,958 S	12/2014	Dallmeyer et al.	
D721,138 S *	1/2015	Barinaga .....	D21/332
D722,116 S *	2/2015	Gottschalk .....	D21/332
D726,729 S	4/2015	Lim	
D747,322 S	1/2016	Li	
D766,984 S	9/2016	Chatterjee et al.	
D766,985 S	9/2016	Chatterjee et al.	
D768,639 S	10/2016	Sumii	
D805,132 S *	12/2017	Sparks .....	D21/332
D805,133 S *	12/2017	Sparks .....	D21/332

## FOREIGN PATENT DOCUMENTS

JP	2002246639 A	8/2002
JP	2002323633 A	11/2002
JP	2003008054 A	1/2003

## OTHER PUBLICATIONS

Way Back Machine [online], [retrieved Jan. 16, 2013]. Retrieved from internet, <http://web.archive.org/web/20130116120917/http://www.klipsch.com/gallery-g17-air>.

Nintendo NES [online], [retrieved on May 14, 2013]. Retrieved from internet, [http://gamesdbase.com/system-nintendo\\_nes.aspx/](http://gamesdbase.com/system-nintendo_nes.aspx/) &gt;.

“Nintendo Wii Review”, Top 10 Reviews ; URL: <http://www.toptenreviews.com/electronics/gaming/best-video-game-consoles/nintendo-wii/review/> ; date accessed Sep. 27, 2016.

“PS4 Console”, PS4 Features, Games & Videos ; <URL:<https://www.playstation.com/en-us/explore/ps4/>> ; date accessed Sep. 27, 2016.

“Sony Playstation 2”, The Video Game Critic’s Console Reviews ; <URL:<http://videogamecritic.com/ps2info.htm>> ; date accessed Sep. 27, 2016.

X Box One S found online [Nov. 2, 2016] [http://www.xbox.com/en-US/xbox-one-s?&ocid=PORTALS\\_SEM\\_google\\_microsoft%20xbox&cid=PORTALS\\_SEM\\_google\\_microsoft%20xbox](http://www.xbox.com/en-US/xbox-one-s?&ocid=PORTALS_SEM_google_microsoft%20xbox&cid=PORTALS_SEM_google_microsoft%20xbox).

Nov. 30, 2016—U.S. Non-Final Office Action—U.S. Appl. No. 29/564,527, filed May 13, 2016; Inv.: Bryan A. Sparks.

Nov. 28, 2016—U.S. Non-Final Office Action—U.S. Appl. No. 29/564,514, filed May 13, 2016; Inv.: Bryan A. Sparks.

Nov. 30, 2016—U.S. Non-Final Office Action—U.S. Appl. No. 29/564,511, filed May 13, 2016; Inv.: Bryan A. Sparks.

Nov. 28, 2016—U.S. Non-Final Office Action—U.S. Appl. No. 29/564,518, filed May 13, 2016; Inv.: Bryan A. Sparks.

Nov. 30, 2016—U.S. Non-Final Office Action—U.S. Appl. No. 29/564,522, filed May 13, 2016; Inv.: Bryan A. Sparks.

AVS Forum; “Receivers, Amps, and Processors”; Publication date unknown but prior to filing date of present application; Date Accessed: Jul. 25, 2017; URL: <http://www.avforums.com/forum/90-receivers-amps-processors/1502957-onkyo-tx-sr601-any-good.html>.

Ixht.com; “DolbyDigital Surround EX, DTS-ES 6.1”; Publication date unknown but prior to filing date of present application; Date Accessed: Jul. 25, 2017; URL: <http://www.ixht.com/dvd/onkyo-tx-sr-600.shtml>.

Grey Ghost; “Insignia NS-R2000 Stereo Receiver Review”; Publication date unknown but prior to filing date of present application; Date Accessed: Jul. 25, 2017; URL: <http://greyghost.moos.com/nsr2000-review/>.

Crutch Field; “Cambridge Audio Topaz SR20”; Publication date unknown but prior to filing date of present application; Date Accessed: Jul. 25, 2017; URL: [https://www1.crutchfield.com/p\\_779SR20/Cambridge-Audio-Topaz-SR20.html](https://www1.crutchfield.com/p_779SR20/Cambridge-Audio-Topaz-SR20.html).

Stereophile; “Arcam FMJ SR250 stereo AV receiver”; Publication date: Jun. 1, 2017; Date Accessed: Jul. 25, 2017; URL: <https://www.stereophile.com/taxonomy/term-p/143>.

Electronic House; “Affordable 2-channel Receivers for Great Home Stereo Systems”; Publication date: Apr. 1, 2015; Date Accessed: Jul. 25, 2017; URL: <https://www.electronichouse.com/home-audio/affordable-2-channel-receivers-great-home-stereo-systems/>.

Audi Affair; “Arcam FMJ C49 Pre Amplifier”, Publication date unknown but prior to filing date; Date Accessed: Jul. 25, 2017; URL: <http://www.audioaffair.co.uk/arcam-c49-pre-amplifier>.

Hifi-Prestige; “Arcam FMJ A 39”; Publication date unknown but prior to filing date; Date Accessed: Jul. 25, 2017; URL: <http://www.hifiprestige.it/it/amplificatori-integrati/7517-arcam-fmj-a-39.html>.

Hifi-Prestige; “Arcam FMJ AVR 550”; Publication date unknown but prior to filing date; Date Accessed: Jul. 25, 2017; URL: <http://www.hifiprestige.it/it/sintoamplificatori-a-v/9343-arcam-fmj-avr-550.html>.

Hifi-Prestige; “Arcam FMJ C 49”; Publication date unknown but prior to filing date; Date Accessed: Jul. 25, 2017; URL: <http://www.hifiprestige.it/it/preamplificatori/7514-arcam-fmj-c-49.html>.

Hifi-Prestige; “Arcam FMJ UDP 411”; Publication date unknown but prior to filing date; Date Accessed: Jul. 25, 2017; URL: <http://www.hifiprestige.it/it/accessori-multimediali/7519-arcam-fmj-udp-411.html>.

Hifi-Prestige; “Arcam FMJ A19 Black—Amplificatore Integrato”; Publication date unknown but prior to filing date; Date Accessed: Jul. 25, 2017; URL: <http://www.hifiprestige.it/it/amplificatori-integrati/6523-arcam-fmj-a19-black.html>.

Best Buy; “Insignia—200W 2.0-Ch. Stereo Receiver—Black”; Publication date unknown but prior to filing date; Date Accessed: Jul. 25, 2017; URL: <http://www.bestbuy.com/site/insignia-200w-2-0-ch-stereo-receiver-black/4156007.p?skuId=4156007>.

Best Buy; “Yamaha—165W 2.0-Ch. Stereo Receiver—Black”; Publication date unknown but prior to filing date; Date Accessed: Jul. 25, 2017; URL: <http://www.bestbuy.com/site/yamaha-165w-2-0-ch-stereo-receiver-black/3817026.p?skuId=3817026>.

Best Buy; “Denon—AVR 5.2-Ch. 4K Ultra HD and 3D Pass-Through A/V Home Theater Receiver—Black”; Publication date unknown but prior to filing date; Date Accessed: Jul. 25, 2017; URL: <http://www.bestbuy.com/site/denon-avr-5-2-ch-4k-ultra-hd-and-3d-pass-through-a-v-home-theater-receiver-black/5756606.p?skuId=5756606>.

Best Buy; “Yamaha—5.1-Ch. 4K Ultra HD and 3D Pass-Through A/V Home Theater Receiver—Black”; Publication date unknown but prior to filing date; Date Accessed: Jul. 25, 2017; URL: <http://www.bestbuy.com/site/yamaha-5-1-ch-4k-ultra-hd-and-3d-pass-through-a-v-home-theater-receiver-black/5784593.p?skuId=5784593>.

Apr. 5, 2017—U.S. Final Office Action—U.S. Appl. No. 29/564,511, filed May 13, 2016; Inv.: Bryan A. Sparks.

Aug. 21, 2017—U.S. Notice of Allowance—U.S. Appl. No. 29/564,511, filed May 13, 2016; Inv.: Bryan A. Sparks.

Jan. 3, 2014—U.S. Notice of Allowance—U.S. Appl. No. 29/447,078, filed Feb. 28, 2013; Inv.: Joel B. Jacobs.

Jan. 6, 2014—U.S. Non-Final Office Action—U.S. Appl. No. 29/447,082, filed Feb. 28, 2013; Inv.: Joel B. Jacobs.

Mar. 12, 2014—U.S. Notice of Allowance—U.S. Appl. No. 29/447,082, filed Feb. 28, 2013; Inv.: Joel B. Jacobs.

Jan. 6, 2014—U.S. Notice of Allowance—U.S. Appl. No. 29/447,085, filed Feb. 28, 2013; Inv.: Joel B. Jacobs.

Jan. 2, 2014—U.S. Requirement for Restriction—U.S. Appl. No. 29/447,089, filed Feb. 28, 2013; Inv.: Joel B. Jacobs.

Mar. 14, 2014—U.S. Notice of Allowance—U.S. Appl. No. 29/447,089, filed Feb. 28, 2013; Inv.: Joel B. Jacobs.

Jan. 6, 2014—U.S. Notice of Allowance—U.S. Appl. No. 29/447,094, filed Feb. 28, 2013; Inv.: Joel B. Jacobs.

Jan. 7, 2014—U.S. Notice of Allowance—U.S. Appl. No. 29/447,097, filed Feb. 28, 2013; Inv.: Joel B. Jacobs.

Jan. 7, 2014—U.S. Notice of Allowance—U.S. Appl. No. 29/447,100, filed Feb. 28, 2013; Inv.: Joel B. Jacobs.

Apr. 5, 2017—U.S. Final Office Action—U.S. Appl. No. 29/564,514, filed May 13, 2016; Inv.: Bryan A. Sparks.



Aug. 23, 2017—U.S. Notice of Allowance—U.S. Appl. No. 29/564,514, filed May 13, 2016; Inv.: Bryan A Sparks.  
Apr. 5, 2017—U.S. Final Office Action—U.S. Appl. No. 29/564,518, filed May 13, 2016; Inv.: Bryan A Sparks.  
Aug. 23, 2017—U.S. Notice of Allowance—U.S. Appl. No. 29/564,518, filed May 13, 2016; Inv.: Bryan A Sparks.  
Apr. 5, 2017—U.S. Final Office Action—U.S. Appl. No. 29/564,522, filed May 13, 2016; Inv.: Bryan A Sparks.  
Aug. 23, 2017—U.S. Notice of Allowance—U.S. Appl. No. 29/564,522, filed May 13, 2016; Inv.: Bryan A Sparks.  
Apr. 21, 2017—U.S. Non-Final Office Action—U.S. Appl. No. 29/566,652, filed Jun. 1, 2016; Inv.: Bryan A Sparks.  
Sep. 13, 2017—U.S. Notice of Allowance—U.S. Appl. No. 29/566,652, filed Jun. 1, 2016; Inv.: Bryan A Sparks.  
Jun. 1, 2017—U.S. Non-Final Office Action—U.S. Appl. No. 29/564,601, filed May 13, 2016; Inv.: Bryan A Sparks.  
Apr. 5, 2017—U.S. Final Office Action—U.S. Appl. No. 29/564,527, filed May 13, 2016; Inv.: Bryan A Sparks.  
Aug. 23, 2017—U.S. Notice of Allowance—U.S. Appl. No. 29/564,527, filed May 13, 2016; Inv.: Bryan A Sparks.

\* cited by examiner

*Primary Examiner* — Keli L Hill  
(74) *Attorney, Agent, or Firm* — Banner & Witcoff, Ltd.

(57) **CLAIM**

The ornamental design for an electronic housing with removable support stand, as shown and described.

**DESCRIPTION**

FIG. 1 is a front perspective view of an electronic housing with removable support stand showing our new design in a first state, and identifies a region for enlargement in FIG. 8;

FIG. 2 is a front view thereof;  
FIG. 3 is a rear view thereof, and identifies a region for enlargement in FIG. 9;  
FIG. 4 is a right side view thereof;  
FIG. 5 is a left side view thereof;  
FIG. 6 is a top view thereof, and identifies a region for enlargement in FIG. 10;  
FIG. 7 is a bottom view thereof;  
FIG. 8 is an enlarged view of the encircled portion in FIG. 1;  
FIG. 9 is an enlarged view of the encircled portion in FIG. 3;  
FIG. 10 is an enlarged view of the encircled portion in FIG. 6;  
FIG. 11 is a front perspective view of an electronic housing with removable support stand showing our new design in a second state;  
FIG. 12 is a front view thereof;  
FIG. 13 is a rear view thereof;  
FIG. 14 is a right side view thereof;  
FIG. 15 is a left side view thereof;  
FIG. 16 is a top view thereof; and,  
FIG. 17 is a bottom view thereof.  
The broken line showing of the various unshaded elements of the electronic housing and the removable support stand illustrates environmental structure and forms no part of the claimed design.

**1 Claim, 17 Drawing Sheets**

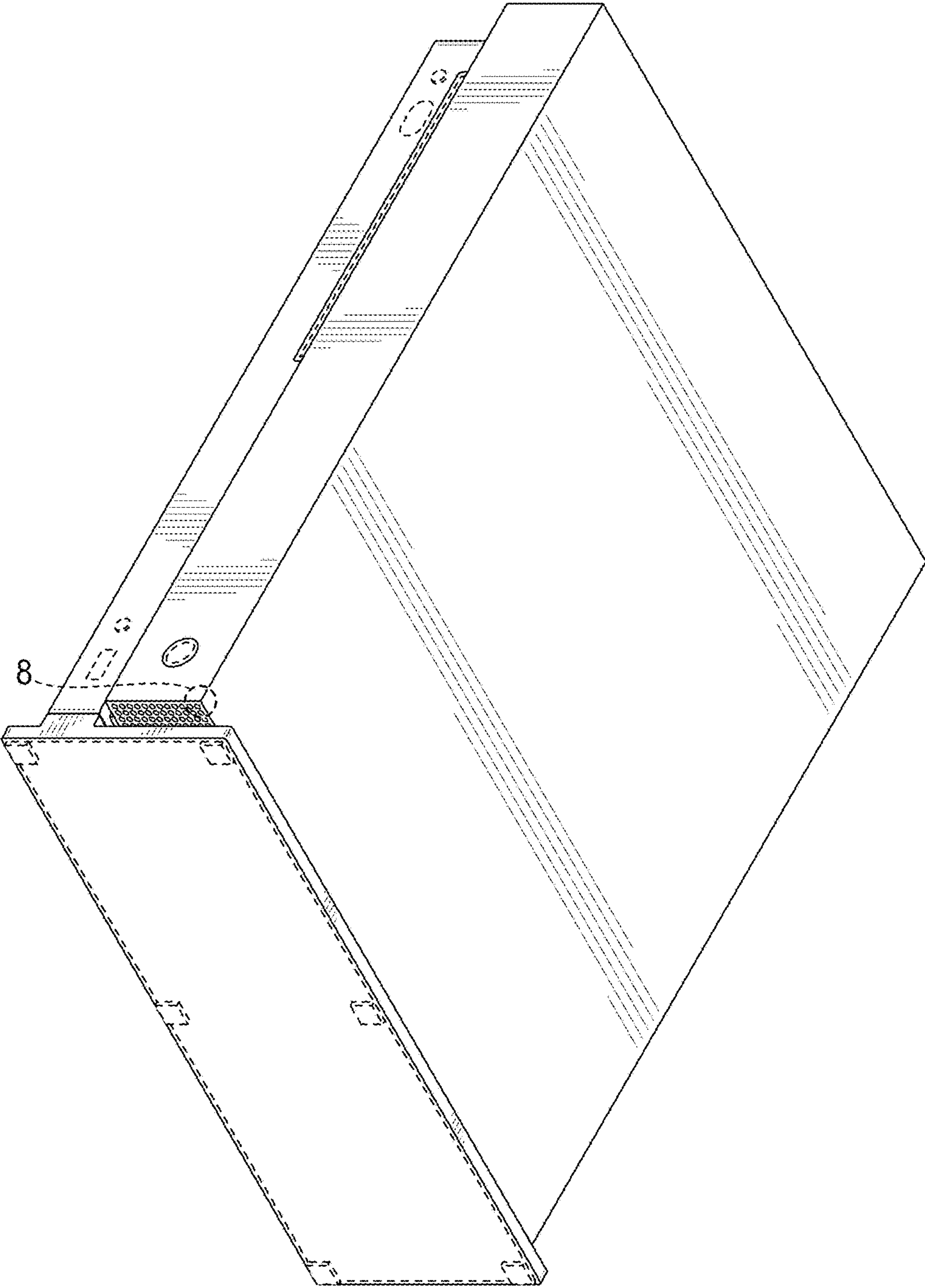


FIG. 1

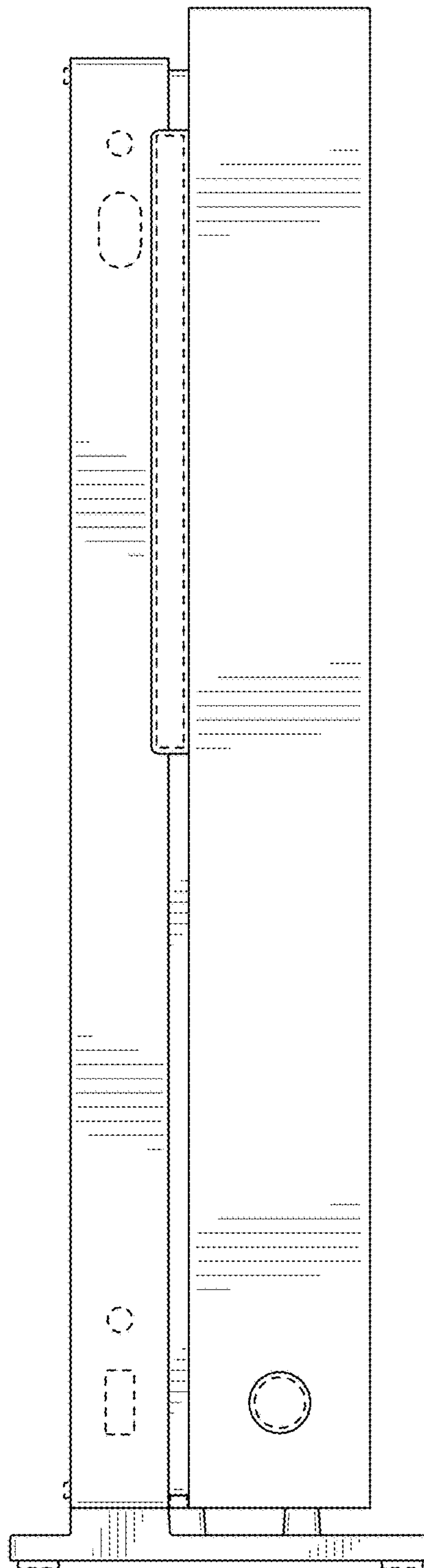


FIG. 2

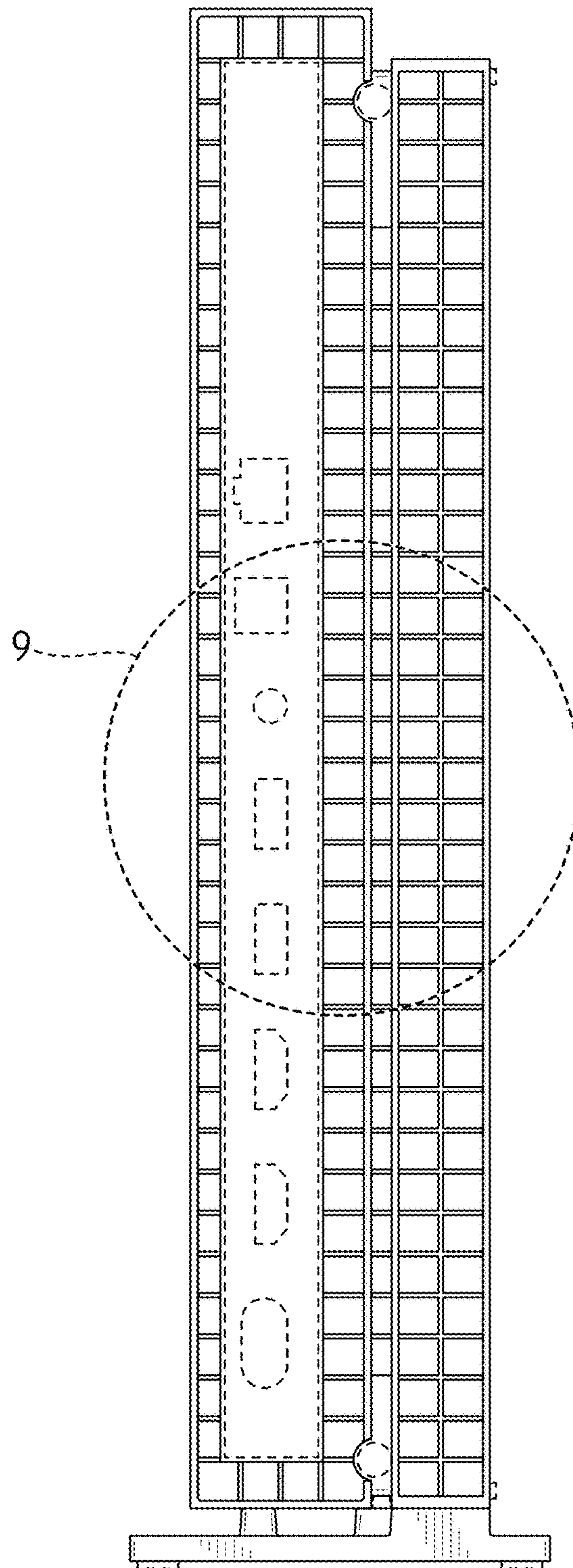


FIG. 3

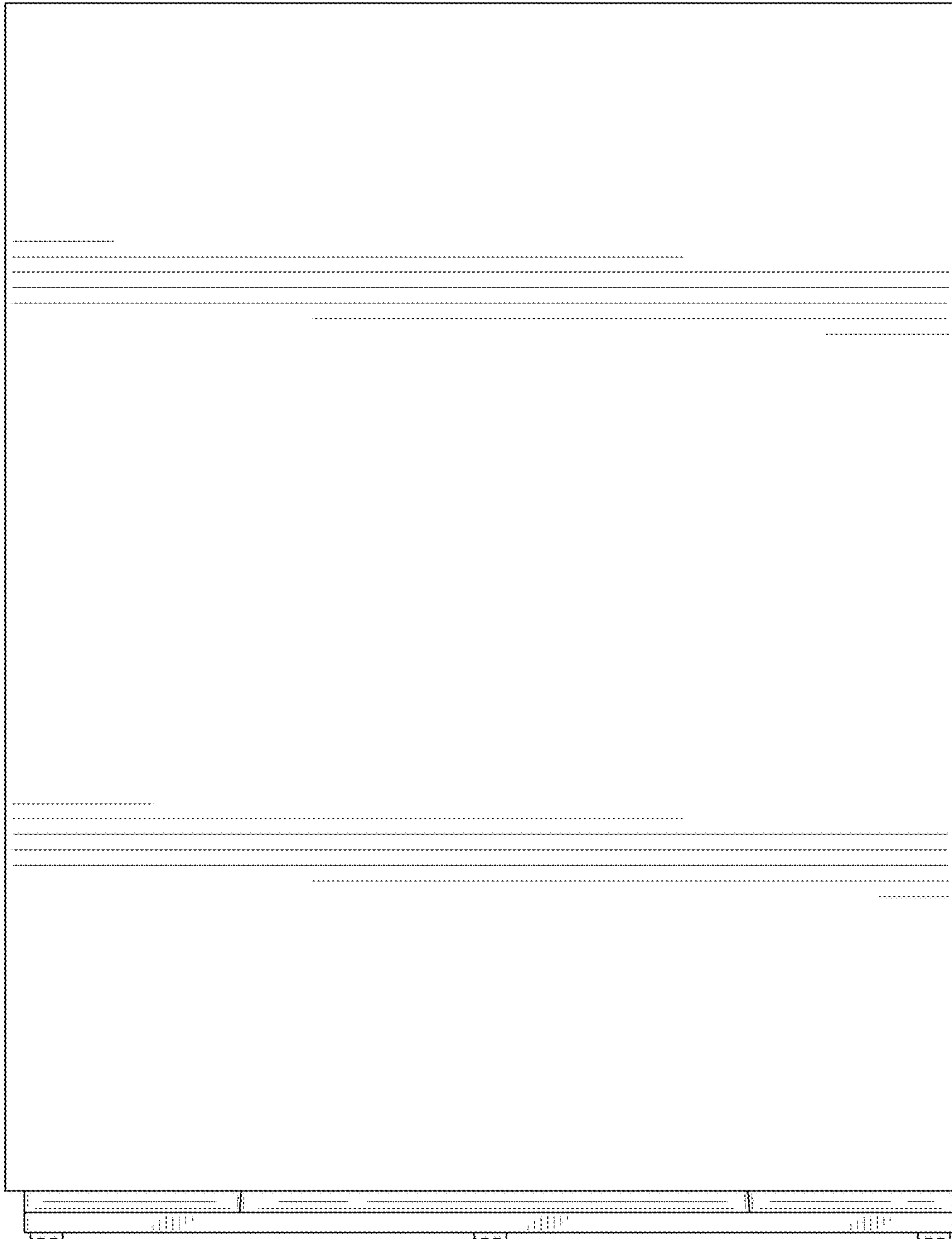


FIG. 4

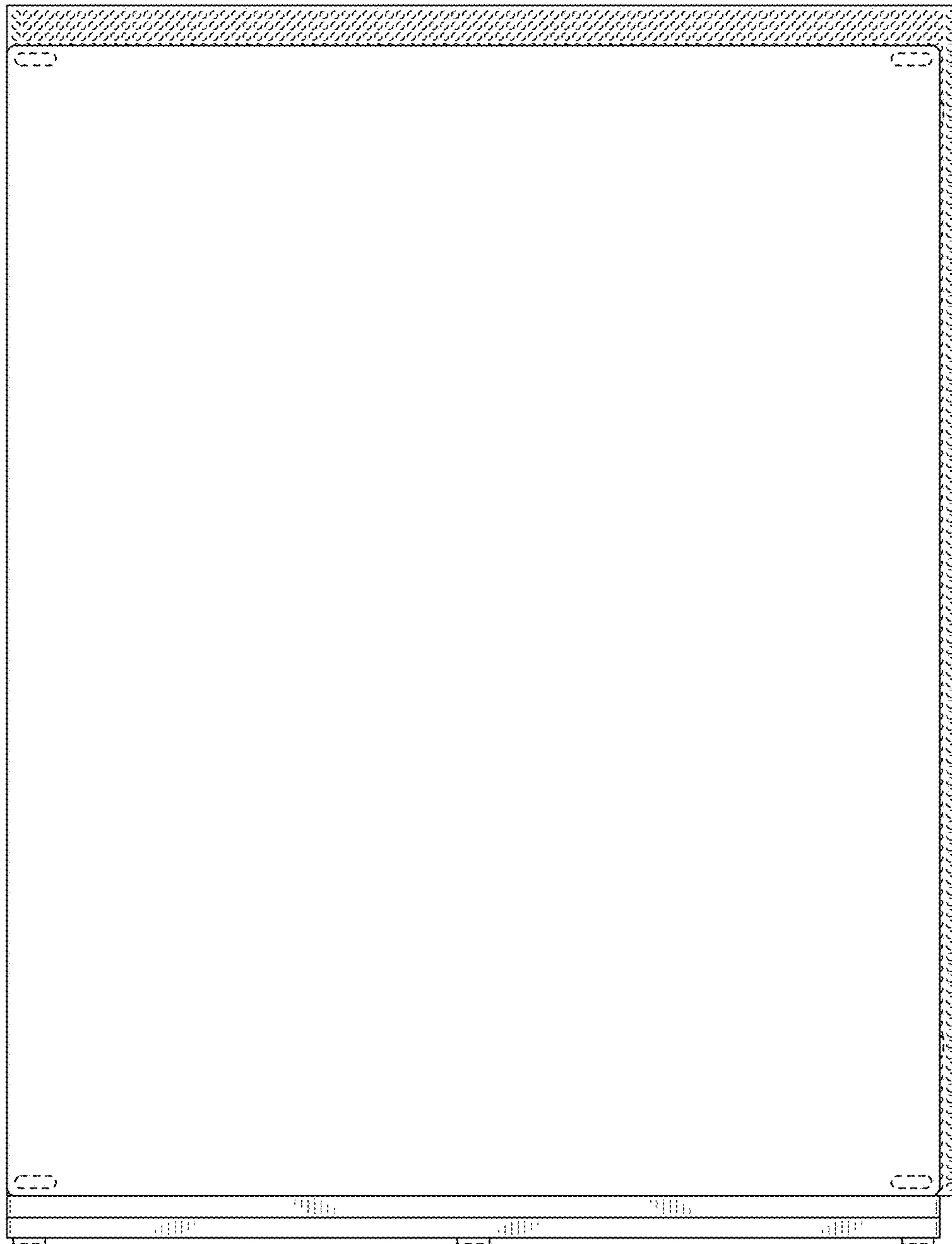


FIG. 5



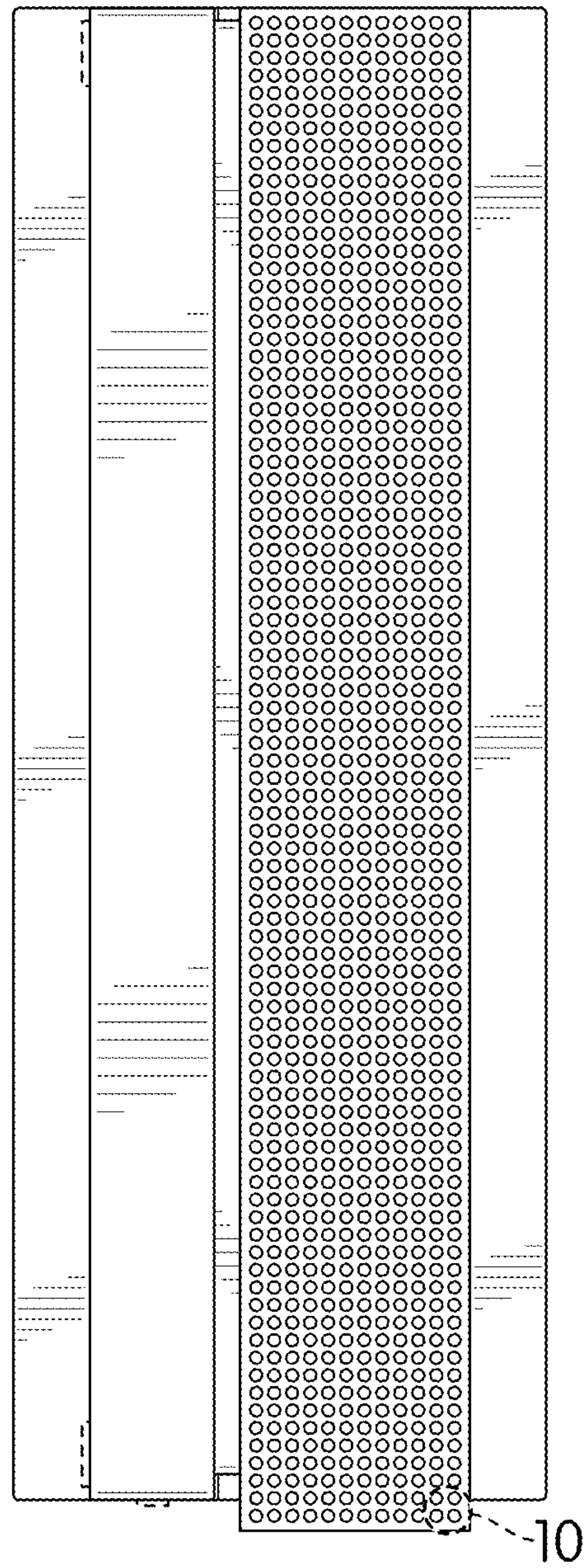


FIG. 6

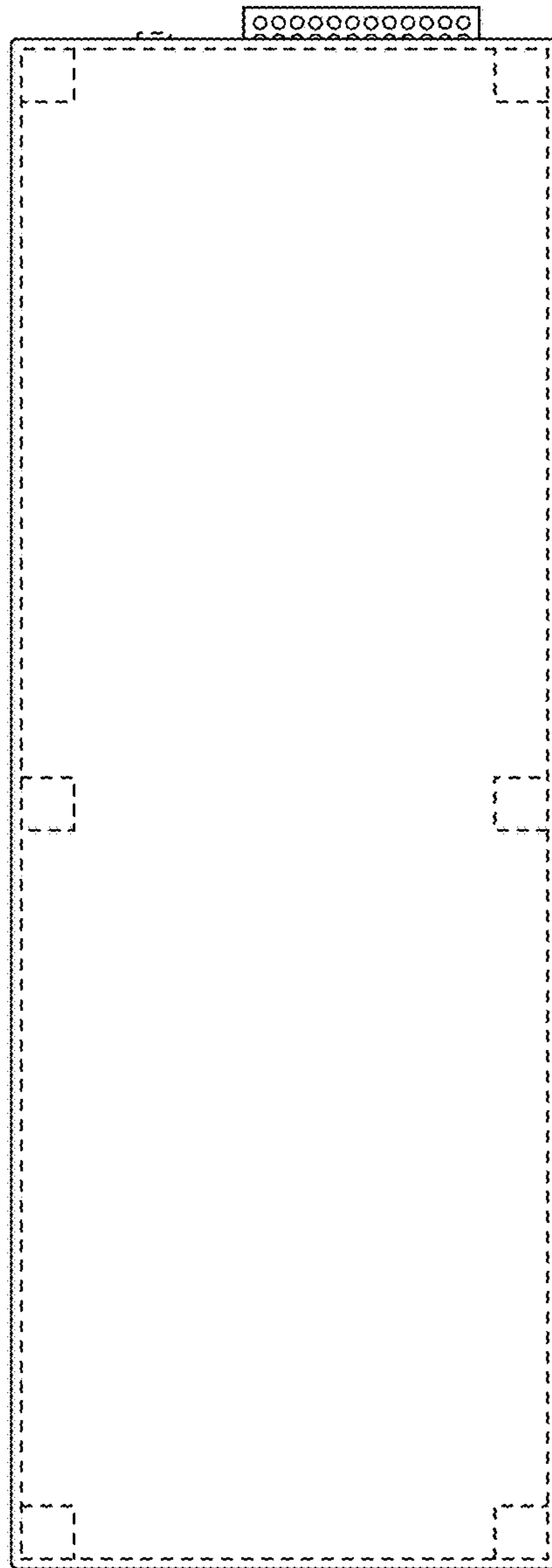


FIG. 7

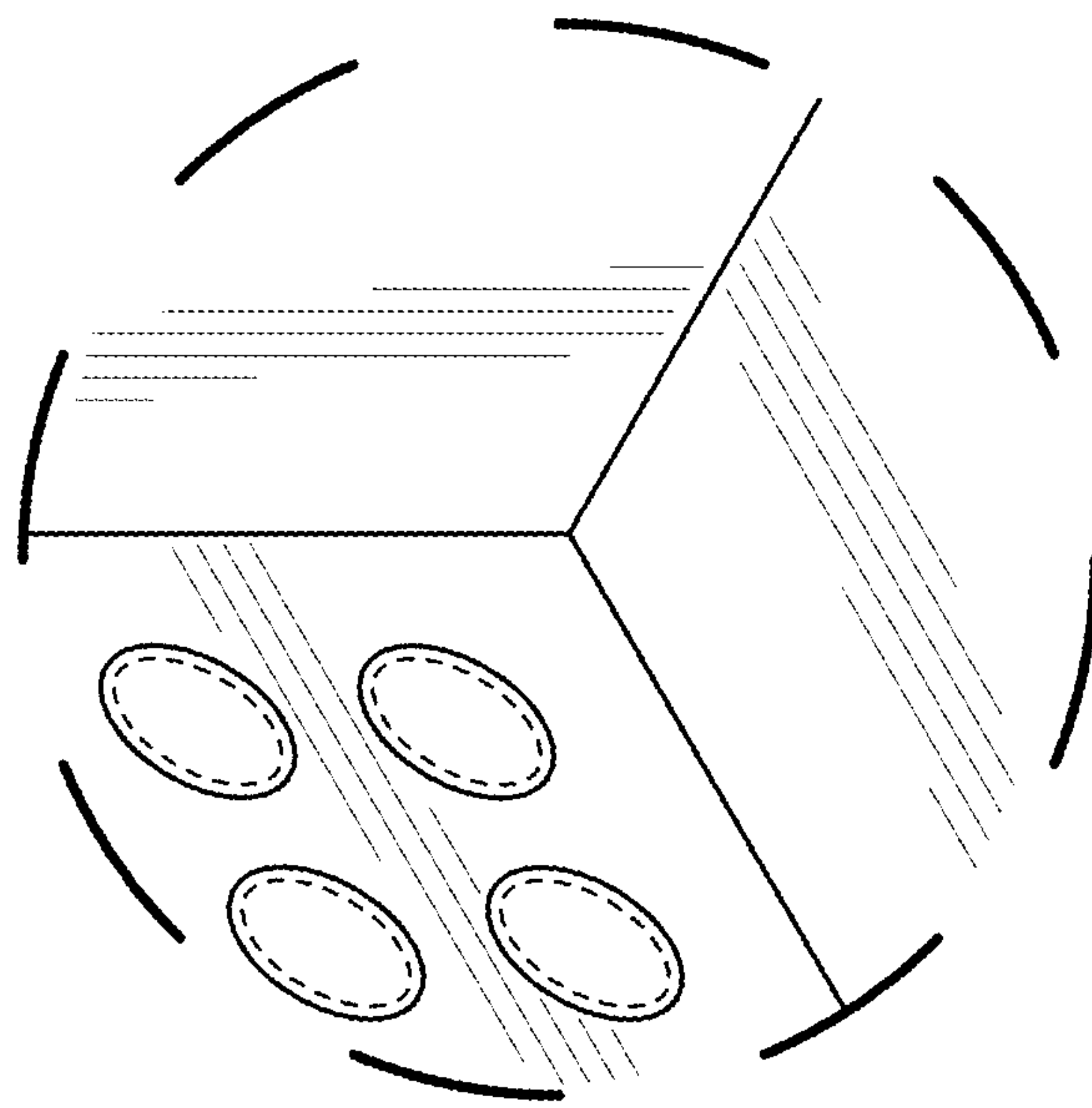


FIG. 8



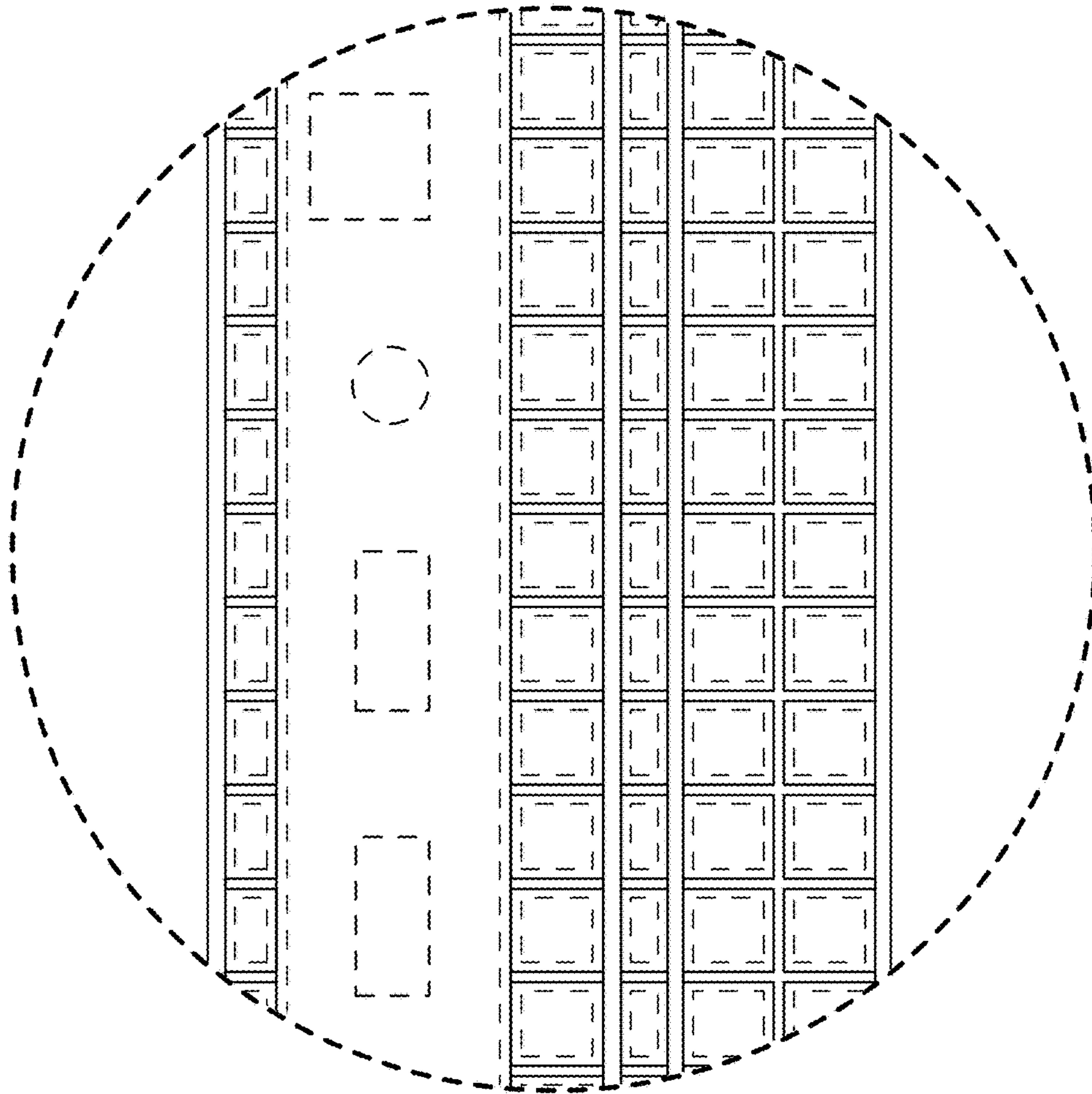


FIG. 9

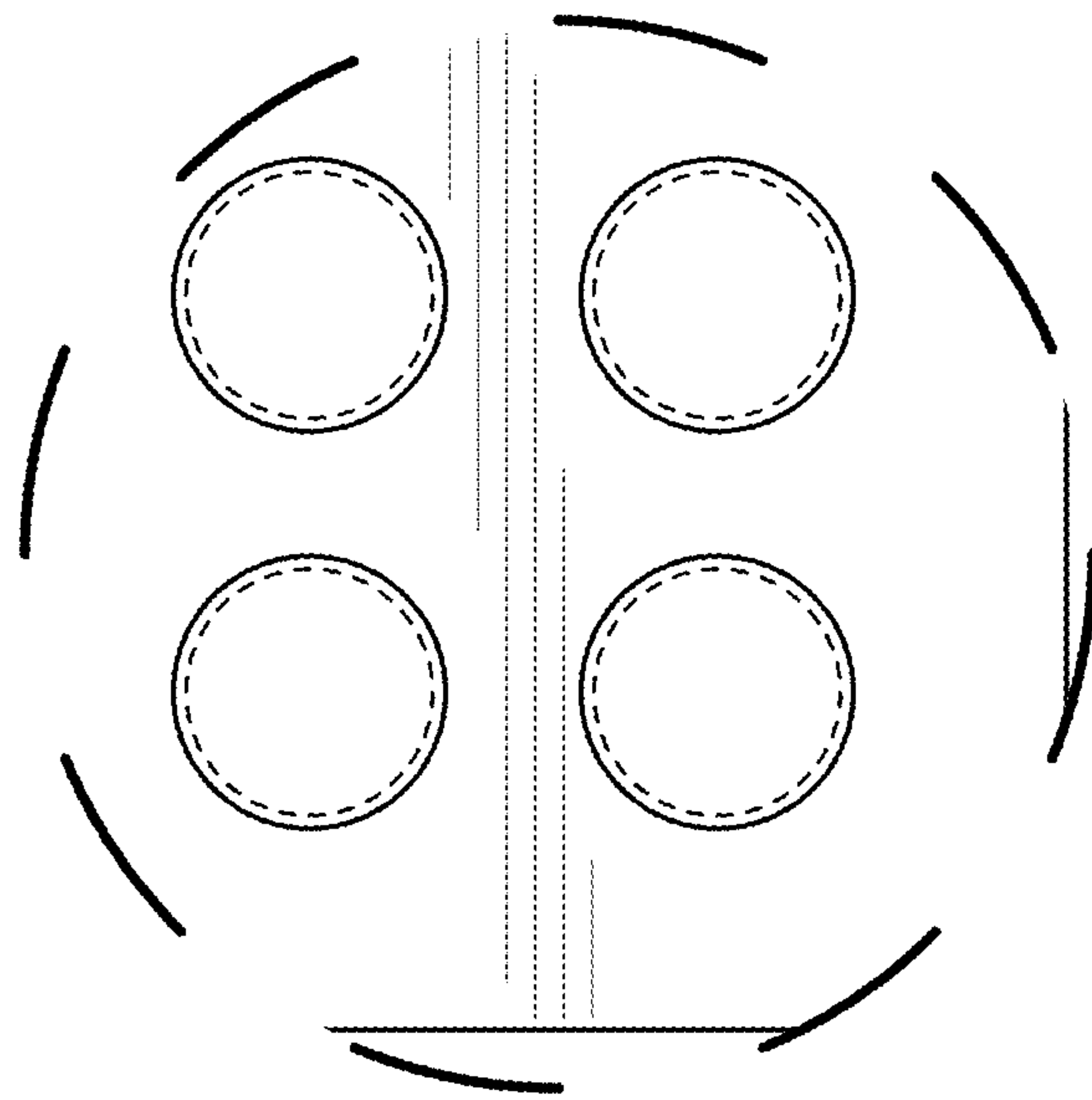


FIG. 10

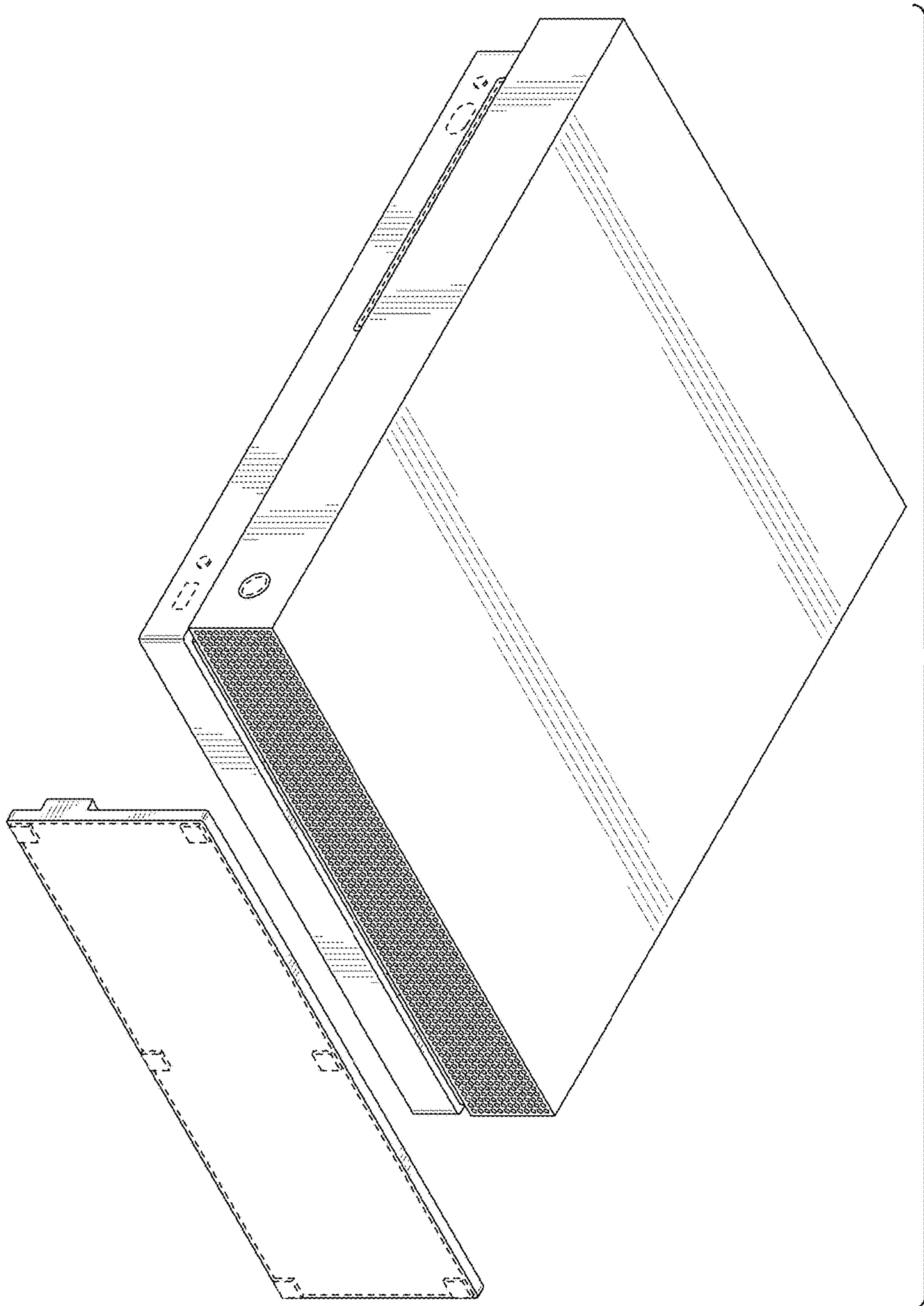


FIG. 11



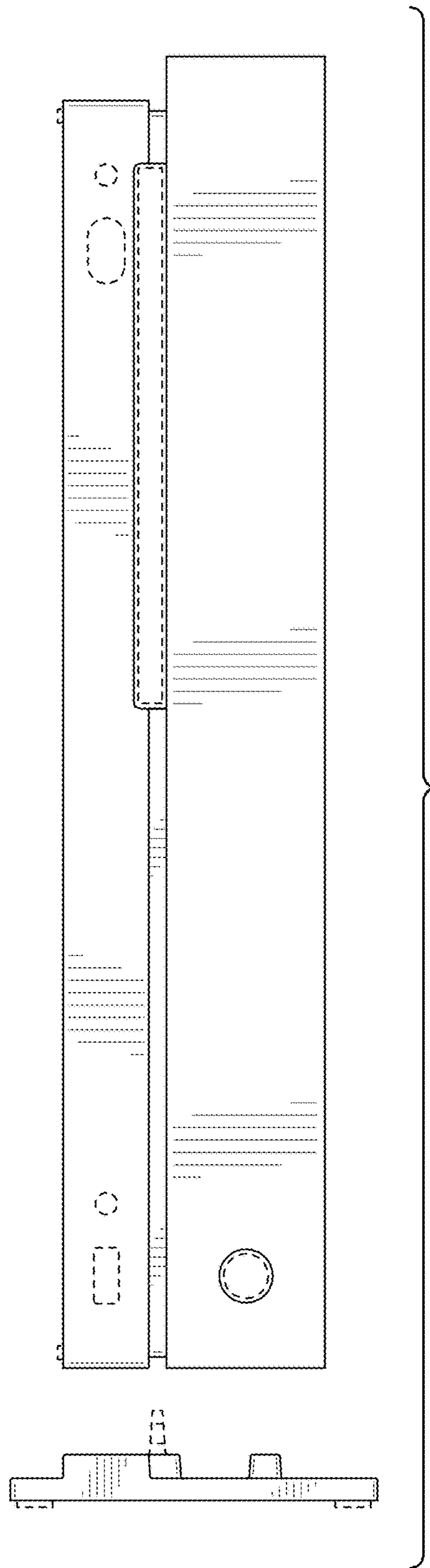


FIG. 12

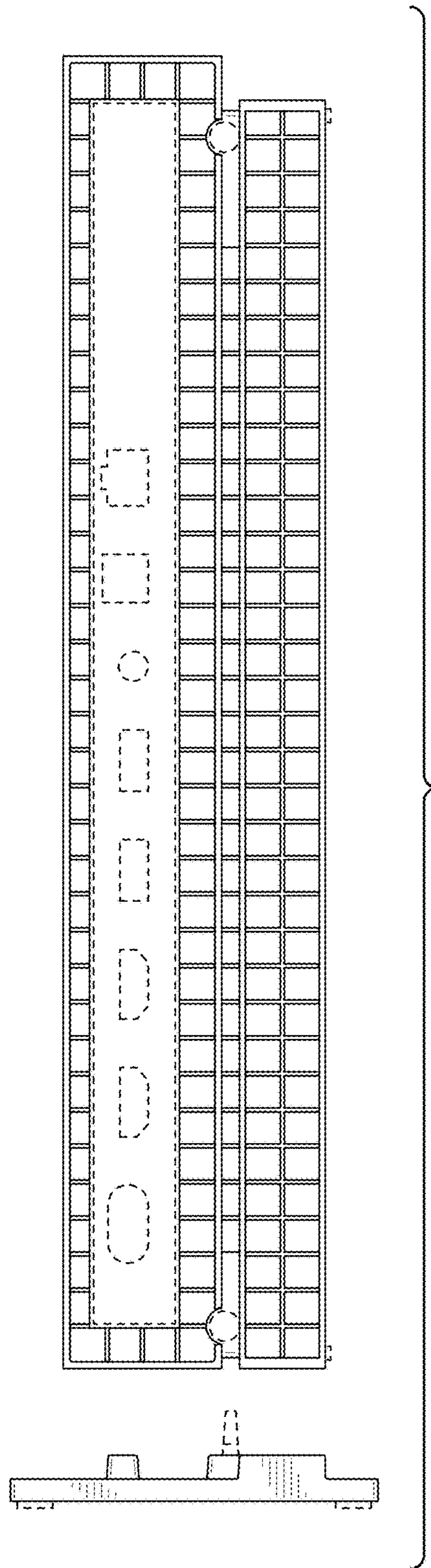


FIG. 13

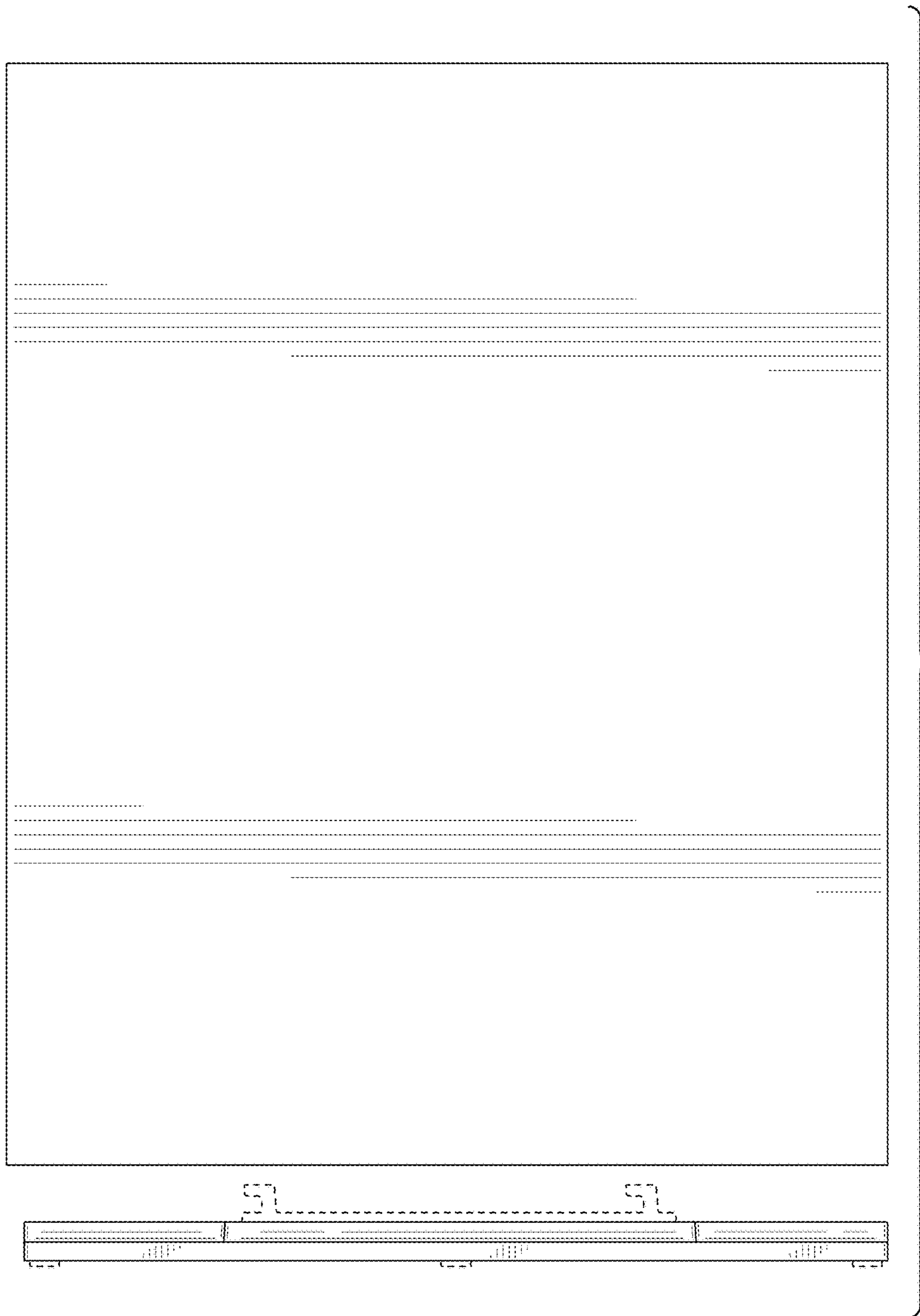


FIG. 14



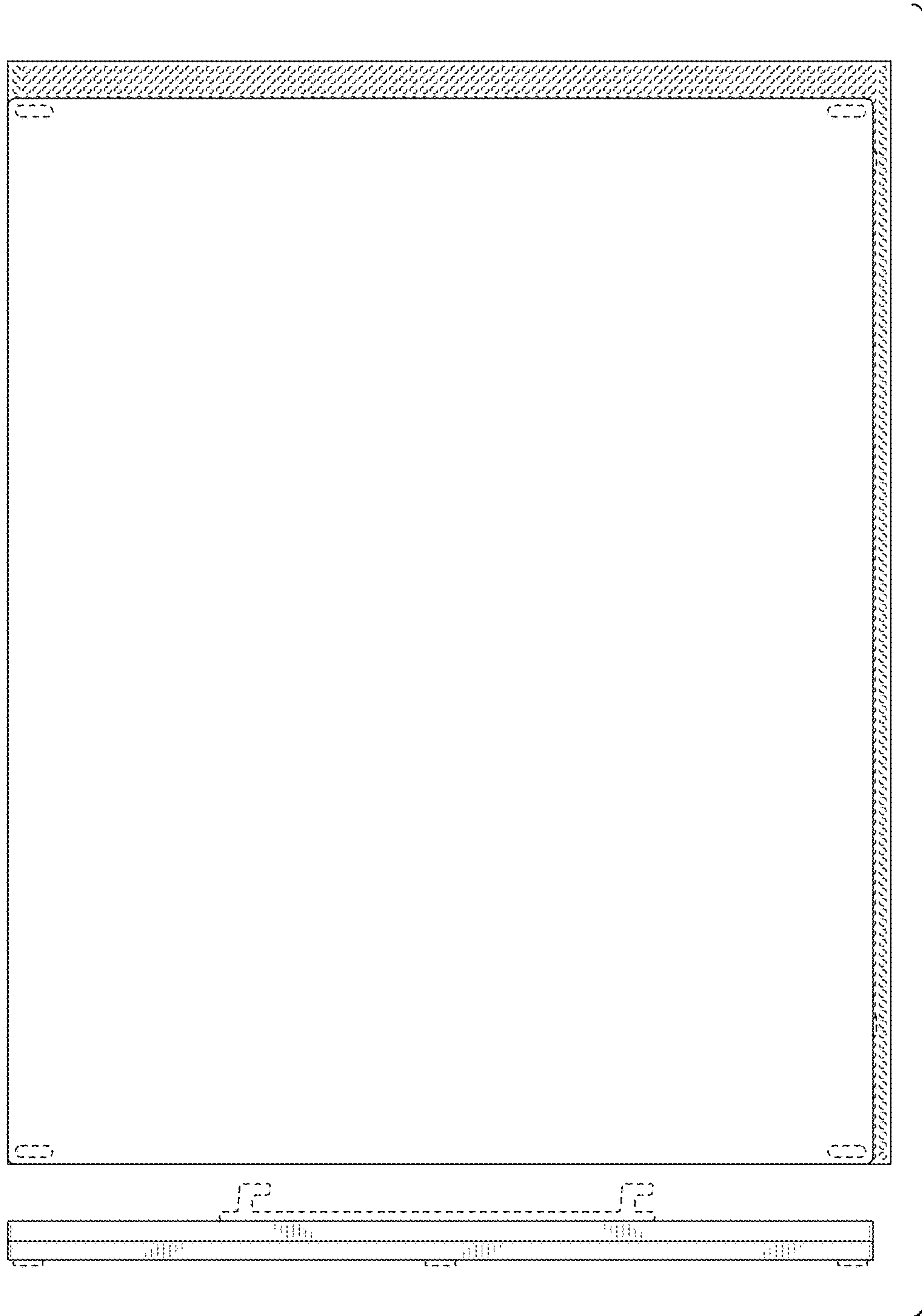


FIG. 15

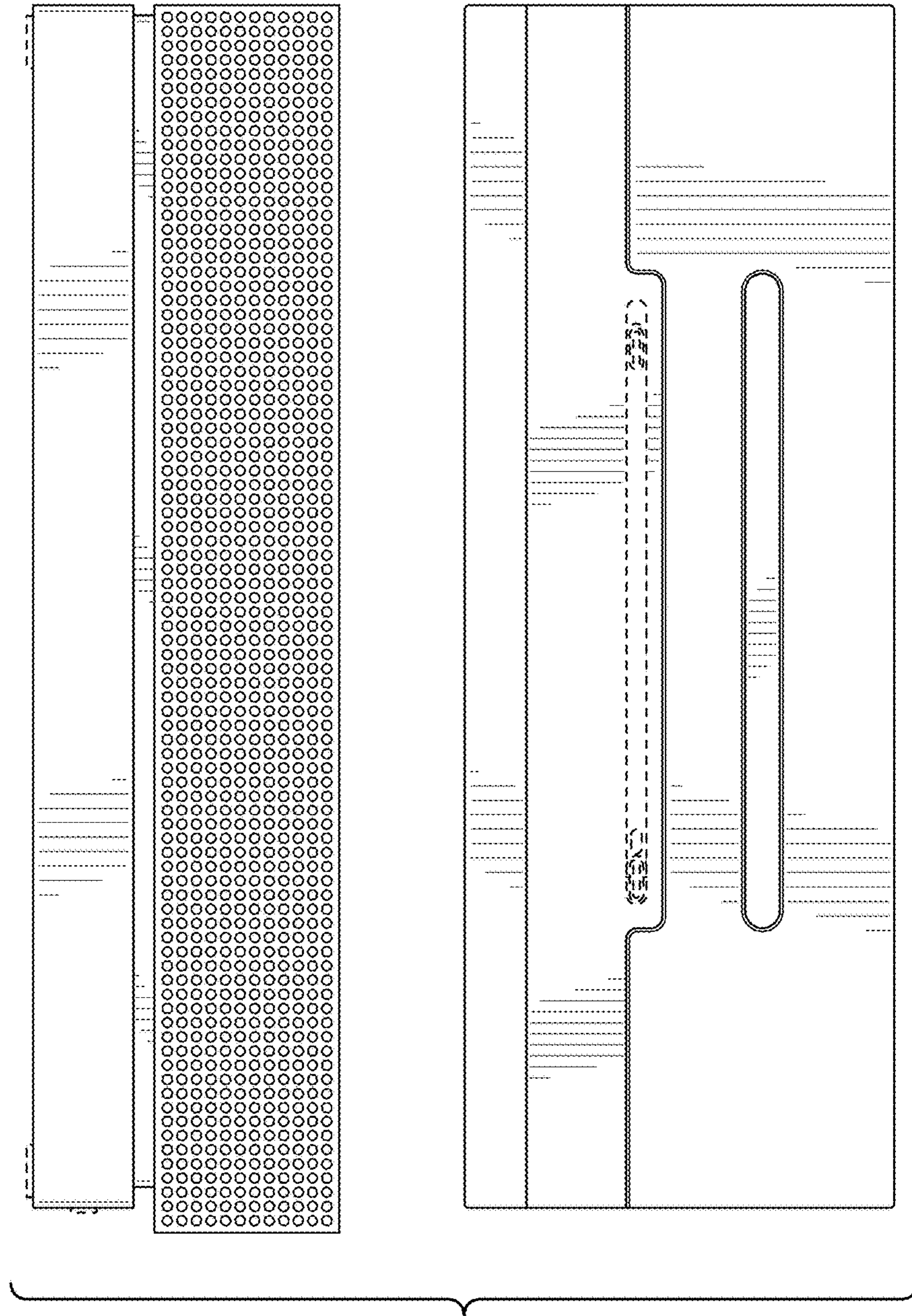


FIG. 16

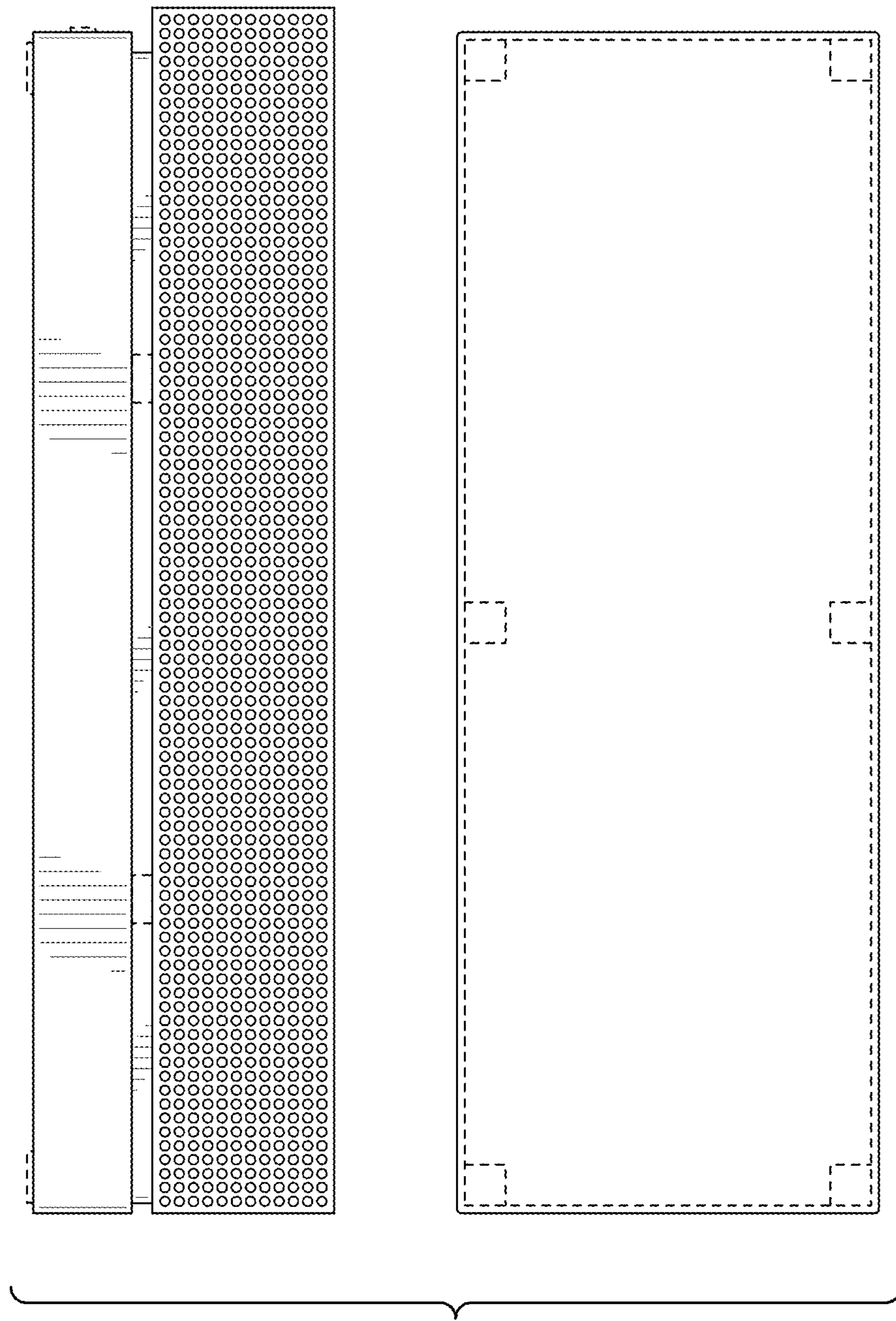


FIG. 17