



US00D839352S

(12) **United States Design Patent** (10) **Patent No.:** **US D839,352 S**  
**Lim et al.** (45) **Date of Patent:** **\*\* Jan. 29, 2019**

(54) **DIGITAL SIGNAGE**

(71) Applicant: **LG ELECTRONICS INC.**, Seoul (KR)

(72) Inventors: **Jaewon Lim**, Seoul (KR); **Byungmu Huh**, Seoul (KR)

(73) Assignee: **LG ELECTRONICS INC.**, Seoul (KR)

(\*\*) Term: **15 Years**

(21) Appl. No.: **35/503,203**

(22) Filed: **Dec. 23, 2016**

(80) **Hague Agreement Data**

Int. Filing Date: **Dec. 23, 2016**

Int. Reg. No.: **DM/094320**

Int. Reg. Date: **Dec. 23, 2016**

Int. Reg. Pub. Date: **Jun. 23, 2017**

(30) **Foreign Application Priority Data**

Jun. 24, 2016 (KR) ..... 30-2016-0031014

(51) **LOC (11) Cl.** ..... **20-03**

(52) **U.S. Cl.**  
USPC ..... **D20/39**

(58) **Field of Classification Search**

USPC ..... D20/10, 16, 17, 19, 39, 41, 42, 99;  
D10/113.4; D14/126, 307, 371

CPC . G09F 7/00; G09F 9/00; G09F 9/3026; G09F  
9/305; G09F 9/33; G09F 9/35; G09F  
11/00; G09F 2011/0027; G09F 13/00;  
G09F 13/02; G09F 13/04; G09F 13/16;  
G09F 13/165; G09F 13/20; G09F 13/22;  
G09F 15/00; G09F 15/0075; G09G  
2013/0436; G09G 2013/184; G09G  
2013/222; G09G 2013/225

See application file for complete search history.

(56) **References Cited**

U.S. PATENT DOCUMENTS

D279,201 S *	6/1985	Shuman	.....	D20/10
D312,664 S *	12/1990	Kaut	.....	D20/10
D443,308 S *	6/2001	Kovell	.....	D20/10
D661,124 S *	6/2012	Curbbun	.....	D20/10
D662,329 S *	6/2012	Arko	.....	G09F 7/00 D6/332
D700,901 S *	3/2014	Giglio	.....	G08B 13/2482 D14/129
D708,459 S *	7/2014	Heirakuji	.....	D6/675
D709,952 S *	7/2014	Logan	.....	D20/10
D742,455 S *	11/2015	Denby	.....	D20/19
D778,364 S *	2/2017	Smith	.....	D20/41
2006/0236914 A1 *	10/2006	Willett	.....	G09F 15/00 116/209
2011/0247250 A1 *	10/2011	Dudak	.....	G09F 7/00 40/603
2013/0113198 A1 *	5/2013	Boothby	.....	G08B 13/2482 283/56

\* cited by examiner

*Primary Examiner* — Mary Ann Calabrese

(74) *Attorney, Agent, or Firm* — Birch, Stewart, Kolasch & Birch, LLP

(57) **CLAIM**

The ornamental design for a digital signage, as shown and described.

**DESCRIPTION**

1. Digital signage

**1.1** : Perspective

**1.2** : Front

**1.3** : Back

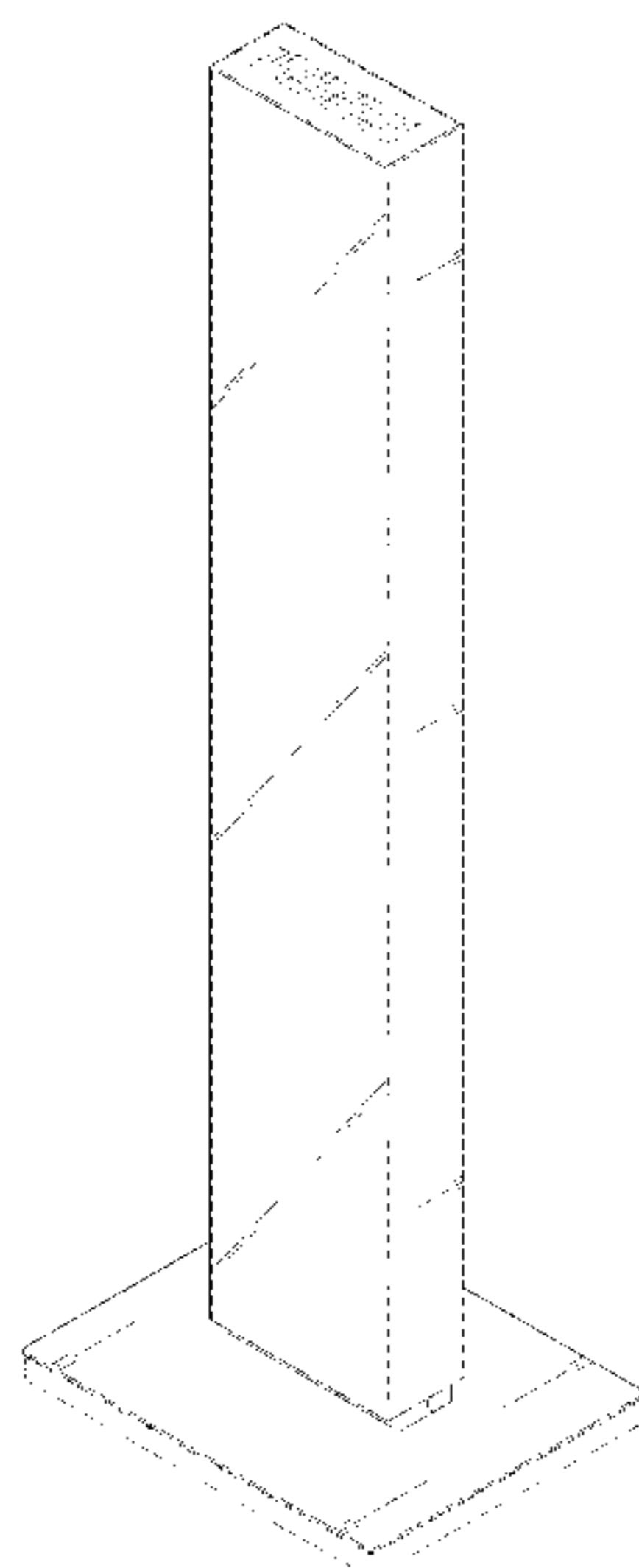
**1.4** : Left, the right view being a mirror image

**1.5** : Top

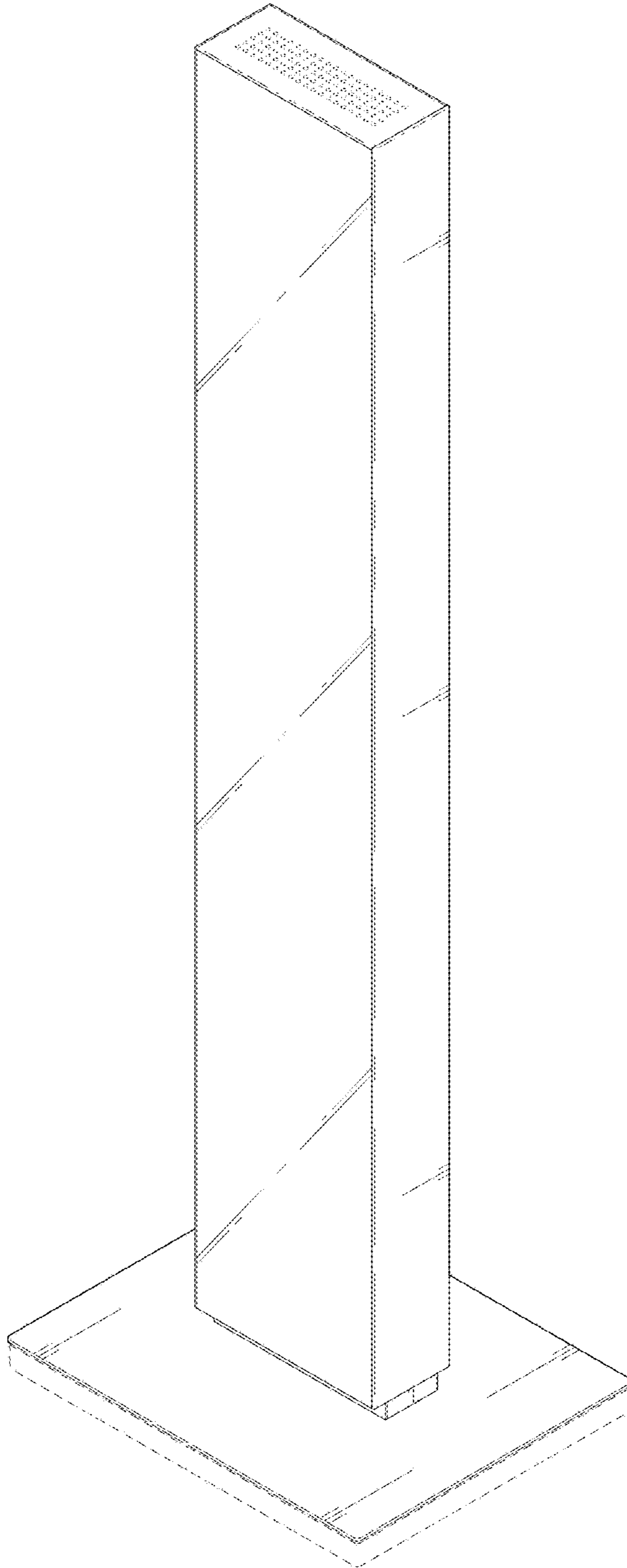
**1.6** : Bottom

The broken lines shown in figures **1.1-1.6** depict portions of the digital signage that form no part of the claimed design.

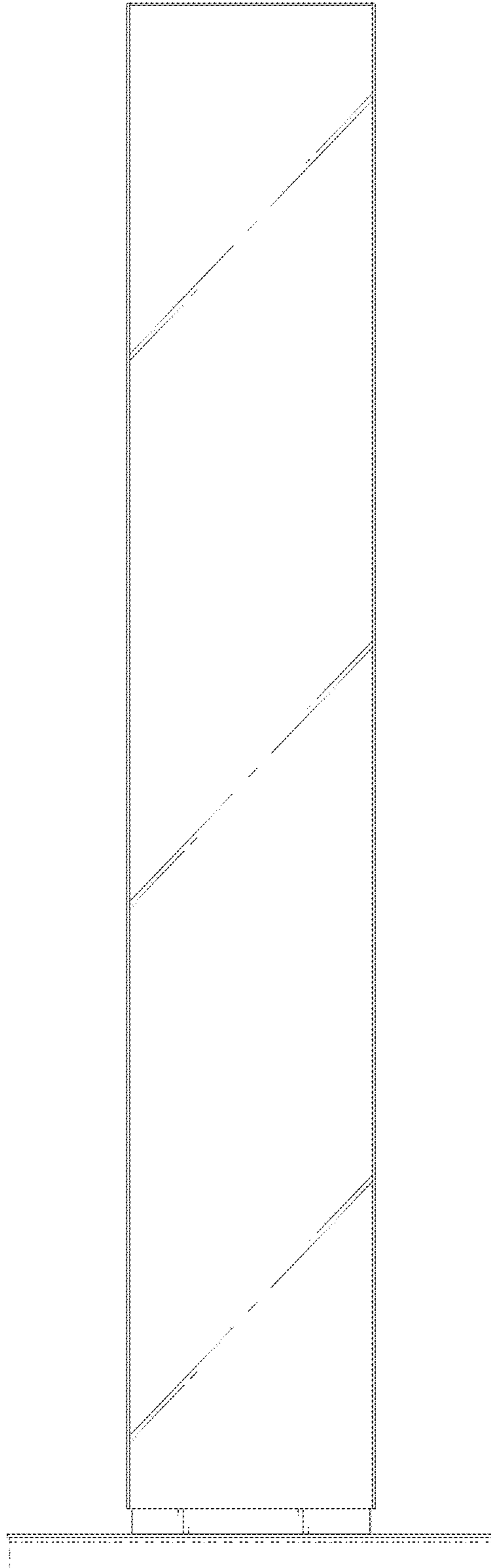
**1 Claim, 6 Drawing Sheets**



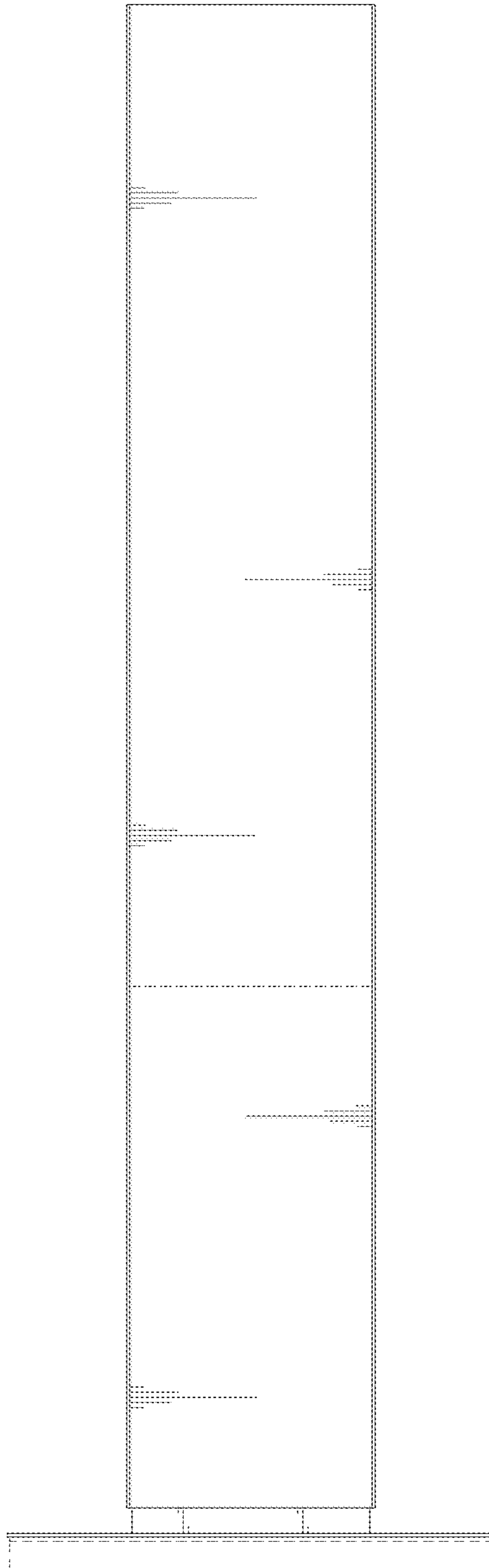
1.1



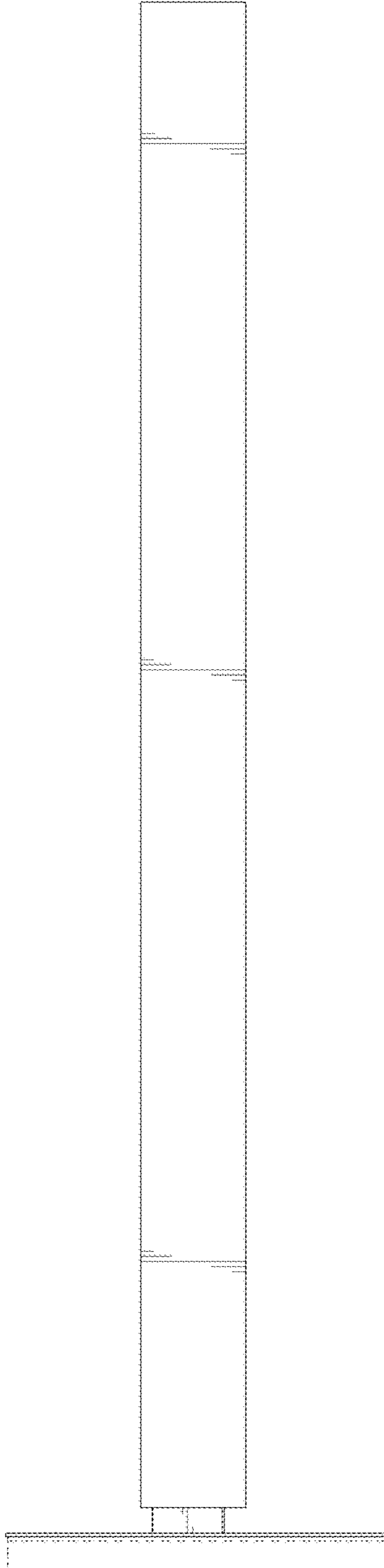
1.2



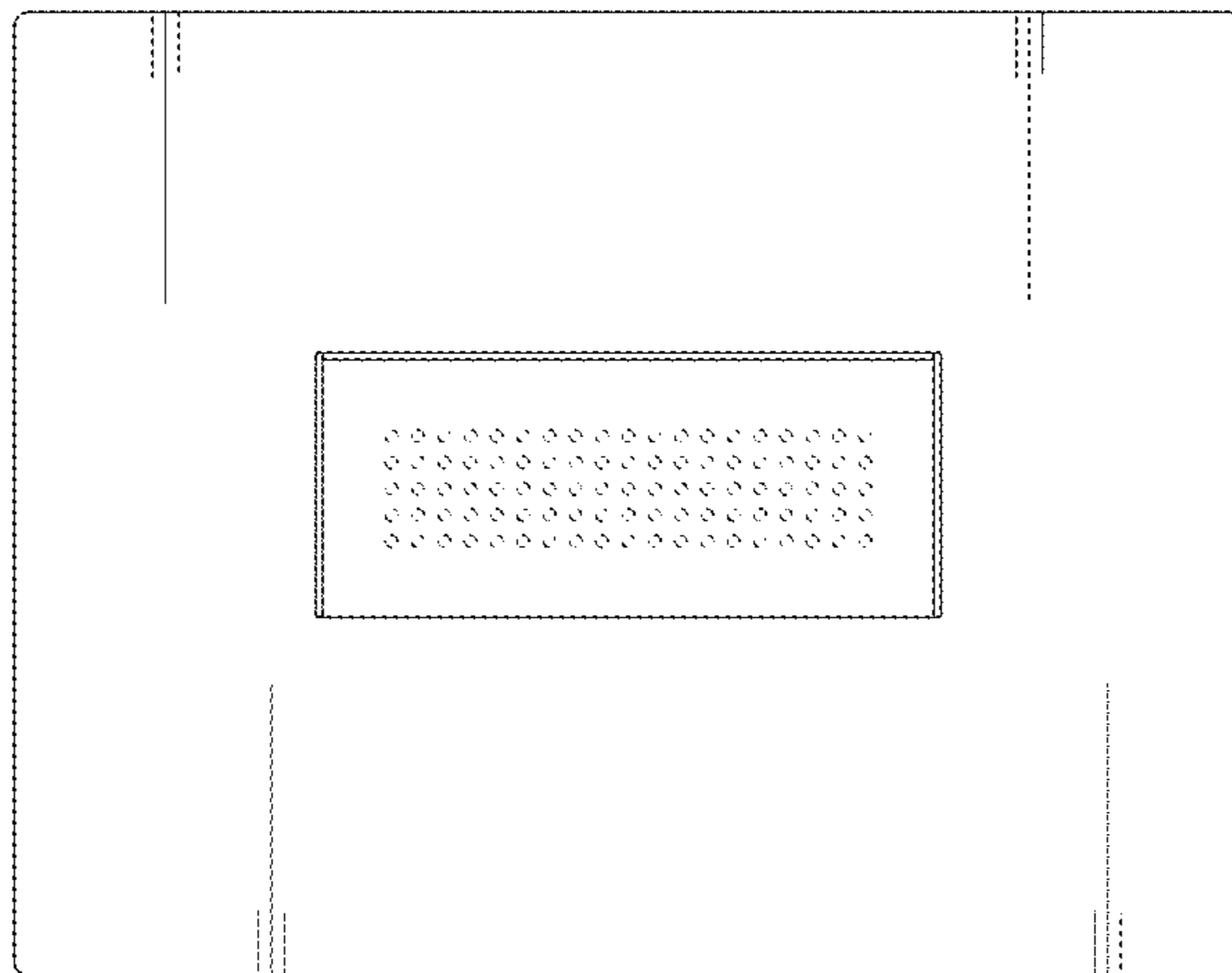
1.3



1.4



1.5



1.6

