



US00D839351S

(12) **United States Design Patent**  
**Zimmermann**

(10) **Patent No.:** **US D839,351 S**

(45) **Date of Patent:** **\*\* Jan. 29, 2019**

(54) **DISPLAY DEVICE**

(71) Applicant: **Maximilian Zimmermann**, Axams  
(AT)

(72) Inventor: **Maximilian Zimmermann**, Axams  
(AT)

(\*\*) Term: **15 Years**

(21) Appl. No.: **29/626,572**

(22) Filed: **Nov. 17, 2017**

(30) **Foreign Application Priority Data**

May 18, 2017 (EM) ..... 004007284-0003

(51) **LOC (11) Cl.** ..... **20-03**

(52) **U.S. Cl.**  
USPC ..... **D20/10; D20/22; D20/43**

(58) **Field of Classification Search**  
USPC ... D20/10, 11, 22-25, 27-29, 31, 39-43, 99  
CPC .. G09F 21/026; G09F 2021/023; G09F 21/02;  
G09F 2003/0208; G09F 2003/0264; G09F  
7/00; G09F 3/206; G09F 13/00; G09F  
2007/1807; G09F 13/04; G09F  
2013/0427; G09F 2013/0495; G09F 1/00;  
G09F 1/02; G09F 2003/023; G09F  
2003/0261; G09D 3/00

See application file for complete search history.

(56) **References Cited**

**U.S. PATENT DOCUMENTS**

4,292,749 A \* 10/1981 Thomas ..... G09F 3/16  
224/277  
D280,111 S \* 8/1985 Brus ..... D20/43  
D427,242 S \* 6/2000 Pettesch ..... D20/10  
6,233,858 B1 \* 5/2001 Brach, Jr. .... G09F 3/20  
40/606.18  
6,634,126 B2 \* 10/2003 Ruffino ..... G09F 1/10  
24/10 R

6,823,617 B2 \* 11/2004 Schweikert ..... A61M 39/284  
40/299.01  
D592,705 S \* 5/2009 Giugiaro ..... D20/39  
D628,468 S \* 12/2010 Camp, Jr. .... D8/395  
D687,496 S \* 8/2013 Gaspar dos Santos ..... D20/39  
D687,895 S \* 8/2013 Gaspar dos Santos ..... D20/39  
D687,896 S \* 8/2013 Gaspar dos Santos ..... D20/39  
8,607,487 B1 \* 12/2013 Magness ..... G09F 7/22  
206/570  
D717,375 S \* 11/2014 Cooper ..... D20/41  
D723,621 S \* 3/2015 Heinrichs ..... D20/22  
D724,671 S \* 3/2015 Etherington ..... D20/10  
D740,367 S \* 10/2015 White ..... D20/41  
D751,650 S \* 3/2016 Landwehr ..... D20/43  
D757,180 S \* 5/2016 Indio da Costa ..... D20/41  
D757,855 S \* 5/2016 Kott ..... D20/43  
D774,141 S \* 12/2016 Feingold ..... D20/19  
D777,839 S \* 1/2017 Myles ..... D20/29

\* cited by examiner

*Primary Examiner* — Mary Ann Calabrese

*Assistant Examiner* — Sloan Rozin

(74) *Attorney, Agent, or Firm* — Laurence A. Greenberg;  
Werner H. Stemer; Ralph E. Locher

(57) **CLAIM**

The ornamental design for a display device, as shown and described.

**DESCRIPTION**

FIG. 1 is a front perspective view of the display device, showing my new design;  
FIG. 2 is a rear perspective view thereof;  
FIG. 3 is a top plan view thereof;  
FIG. 4 is a left side elevation view thereof;  
FIG. 5 is a front elevation view thereof;  
FIG. 6 is a right side elevation view thereof;  
FIG. 7 is a rear elevation view thereof; and,  
FIG. 8 is a bottom plan view thereof.

**1 Claim, 8 Drawing Sheets**

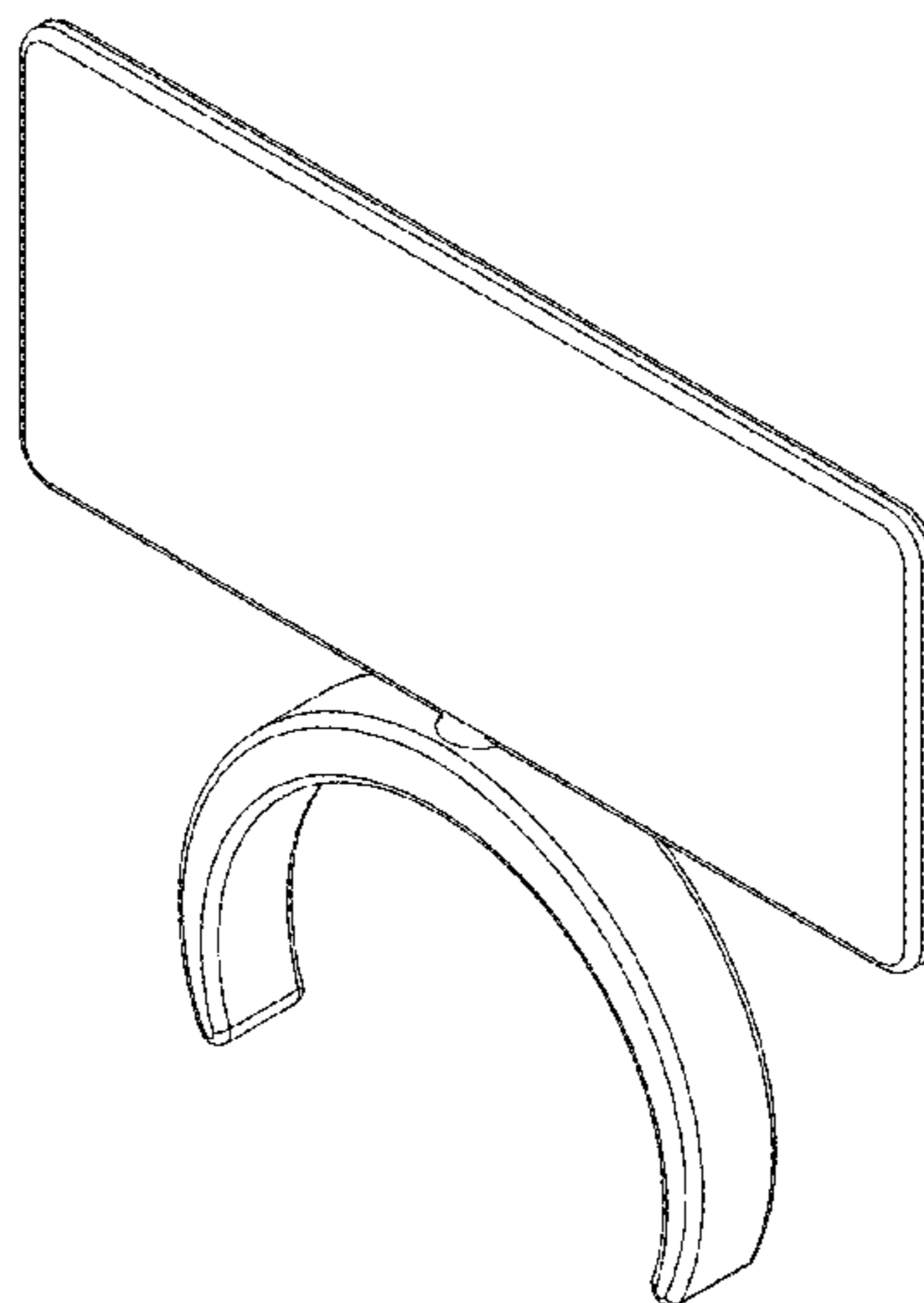


Fig. 1

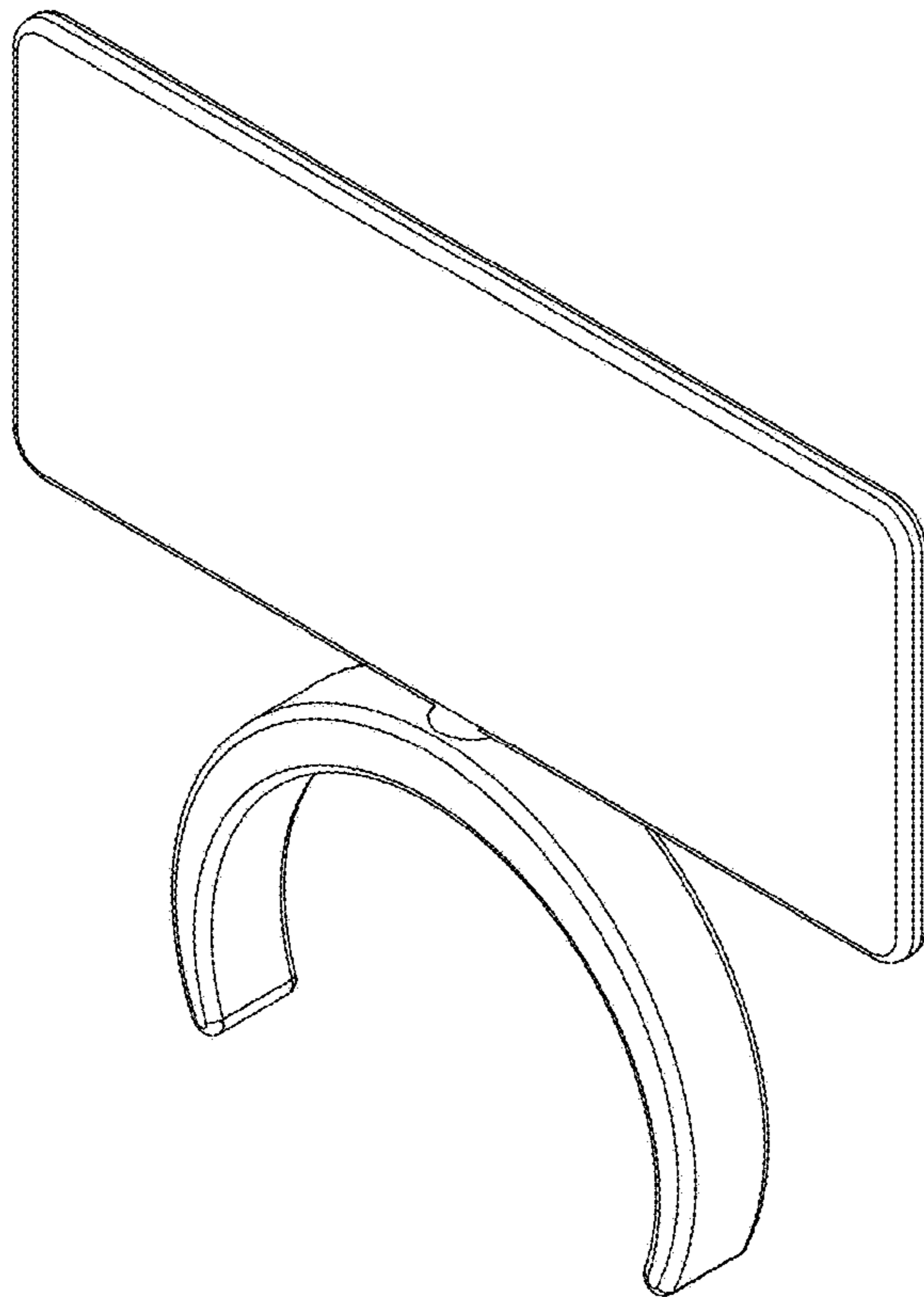


Fig. 2

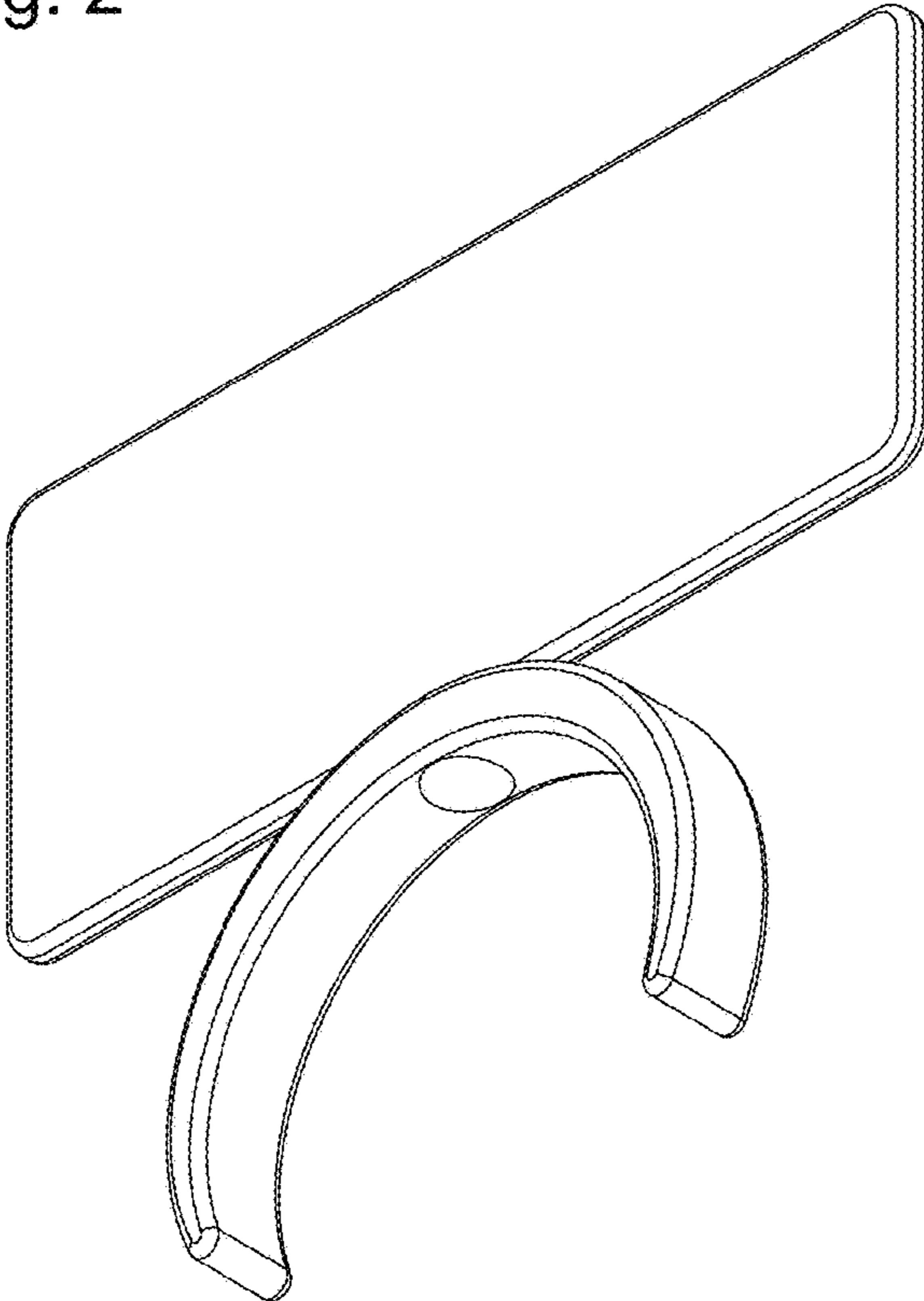


Fig. 3

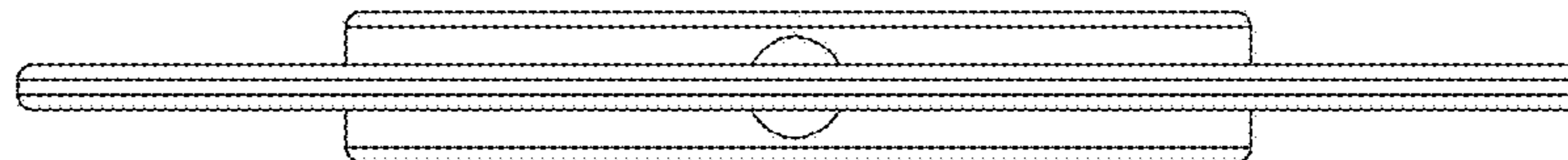


Fig. 4

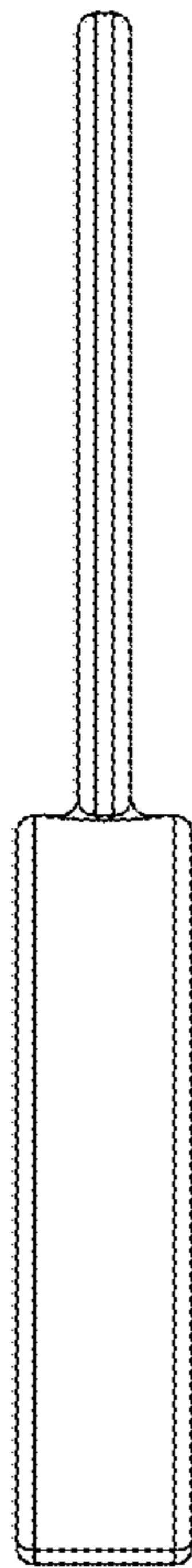


Fig. 5

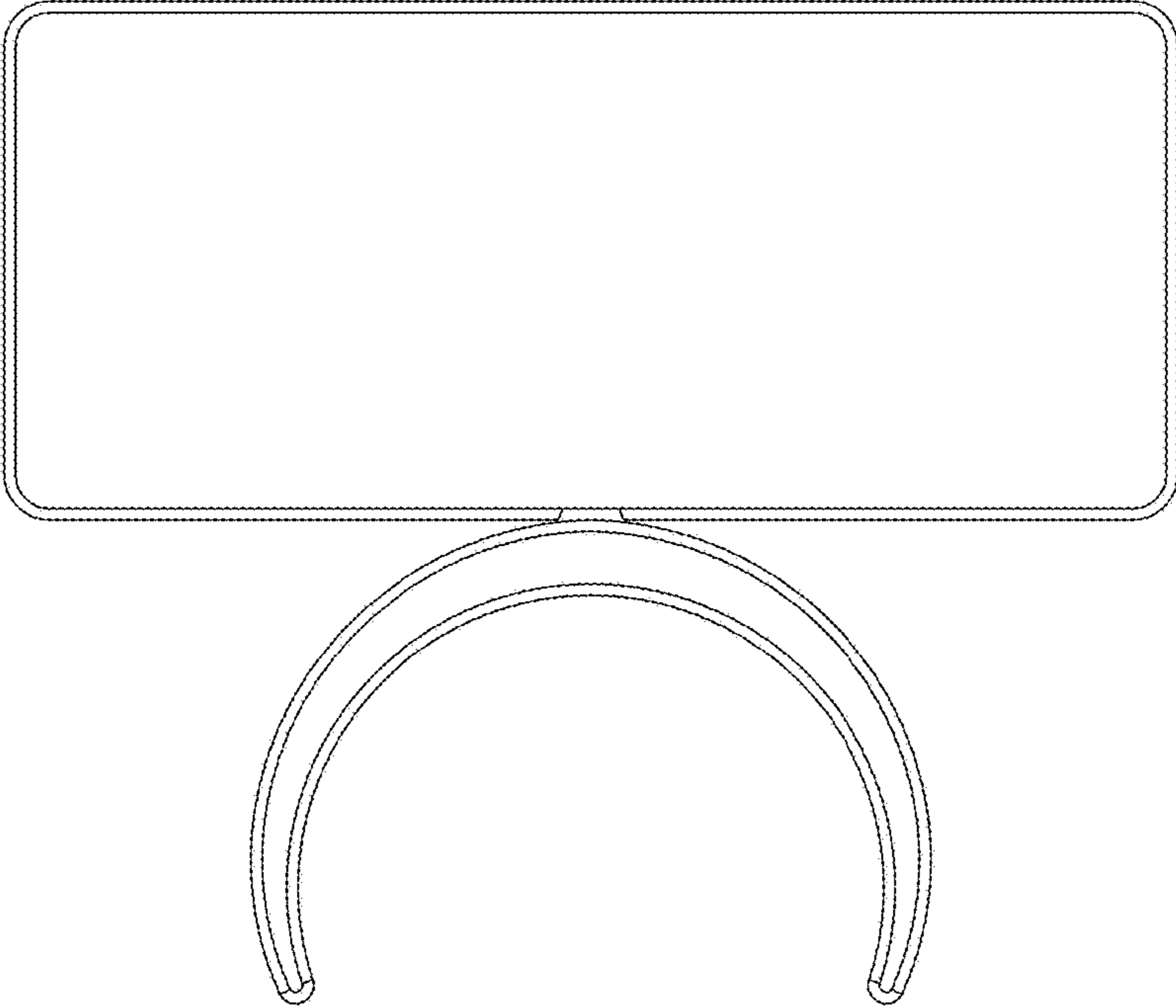


Fig. 6

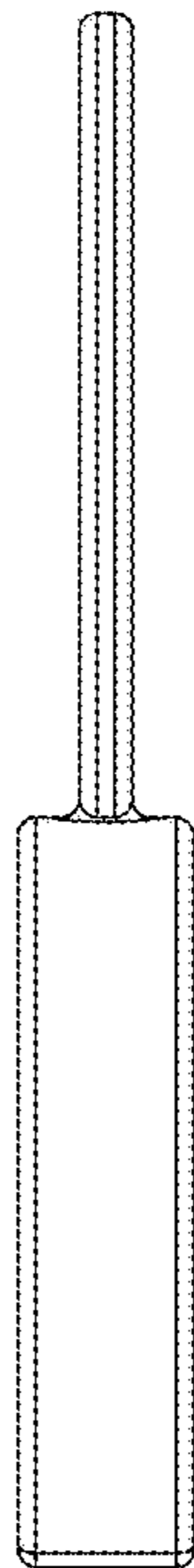


Fig. 7

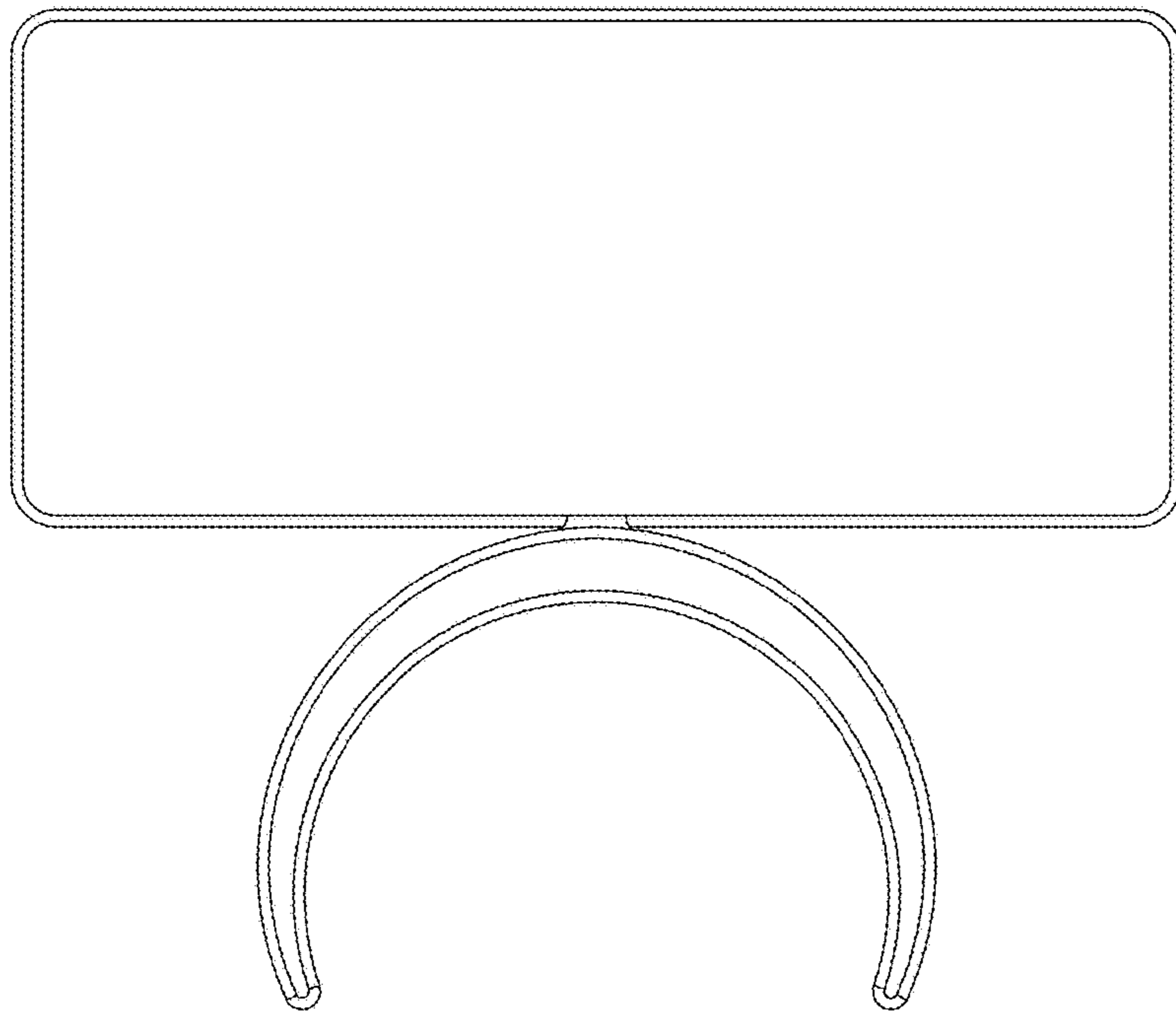




Fig. 8

