



US00D839350S

(12) **United States Design Patent**
Hockenberry

(10) **Patent No.:** **US D839,350 S**
(45) **Date of Patent:** **** Jan. 29, 2019**

(54) **PEN**

(71) Applicant: **Independent SVL, LLC**, Ashland, OH (US)

(72) Inventor: **Michael G. Hockenberry**, Ashland, OH (US)

(73) Assignee: **Independent SVL, LLC**, Ashland, OH (US)

(**) Term: **15 Years**

(21) Appl. No.: **29/594,922**

(22) Filed: **Feb. 23, 2017**

(51) **LOC (11) Cl.** **19-06**

(52) **U.S. Cl.**
USPC **D19/177**; D19/189; D19/193

(58) **Field of Classification Search**
USPC D19/168–186, 117, 163–167, 901–934
CPC B43K 24/03; B43K 23/12; B43K 23/001;
G09B 5/04; G06F 3/03545
See application file for complete search history.

(56) **References Cited**

U.S. PATENT DOCUMENTS

D306,873 S *	3/1990	Yazaki	D19/117
D313,620 S *	1/1991	Yazaki	D19/163
D330,910 S *	11/1992	Warburton	401/195
D332,626 S *	1/1993	Wada	D19/163
D334,589 S *	4/1993	Shike	D19/117
D410,673 S *	6/1999	Martin	D18/15
D443,303 S *	6/2001	Ashe	D19/179
D443,644 S *	6/2001	Lewis, Jr.	D19/174
D502,739 S *	3/2005	Shova	D19/166
D623,225 S *	9/2010	Ryan	D19/174
D647,562 S *	10/2011	Chu	D19/184
D651,647 S *	1/2012	Chu	D19/177
D765,179 S *	8/2016	Simon	D19/177
D785,093 S *	4/2017	Hsu	D19/179

OTHER PUBLICATIONS

Saberforce vs Ultrasavers posted by YoBountyHunter posted date Dec. 30, 2016, © YouTube, [online], [site visited Apr. 5, 2018]. Available from Internet, <https://www.youtube.com/watch?v=YEQXxCva-ml> (Year: 2016).*

Every Saber Company posted by StarWarsOnly posted date Jun. 20, 2016, © YouTube, [online], [site visited Apr. 5, 2018]. Available from Internet, <https://www.youtube.com/watch?v=PgC6vhHmG7I> (Year: 2016).*

Saberforce posted by MrSyth posted date Sep. 6, 2016, © YouTube, [online], [site visited Apr. 5, 2018]. Available from Internet, https://www.youtube.com/watch?v=gj4F7_awAjM (Year: 2016).*

* cited by examiner

Primary Examiner — Cynthia Ramirez

Assistant Examiner — Laura H Yu

(74) *Attorney, Agent, or Firm* — Porter, Wright, Morris & Arthur, LLP

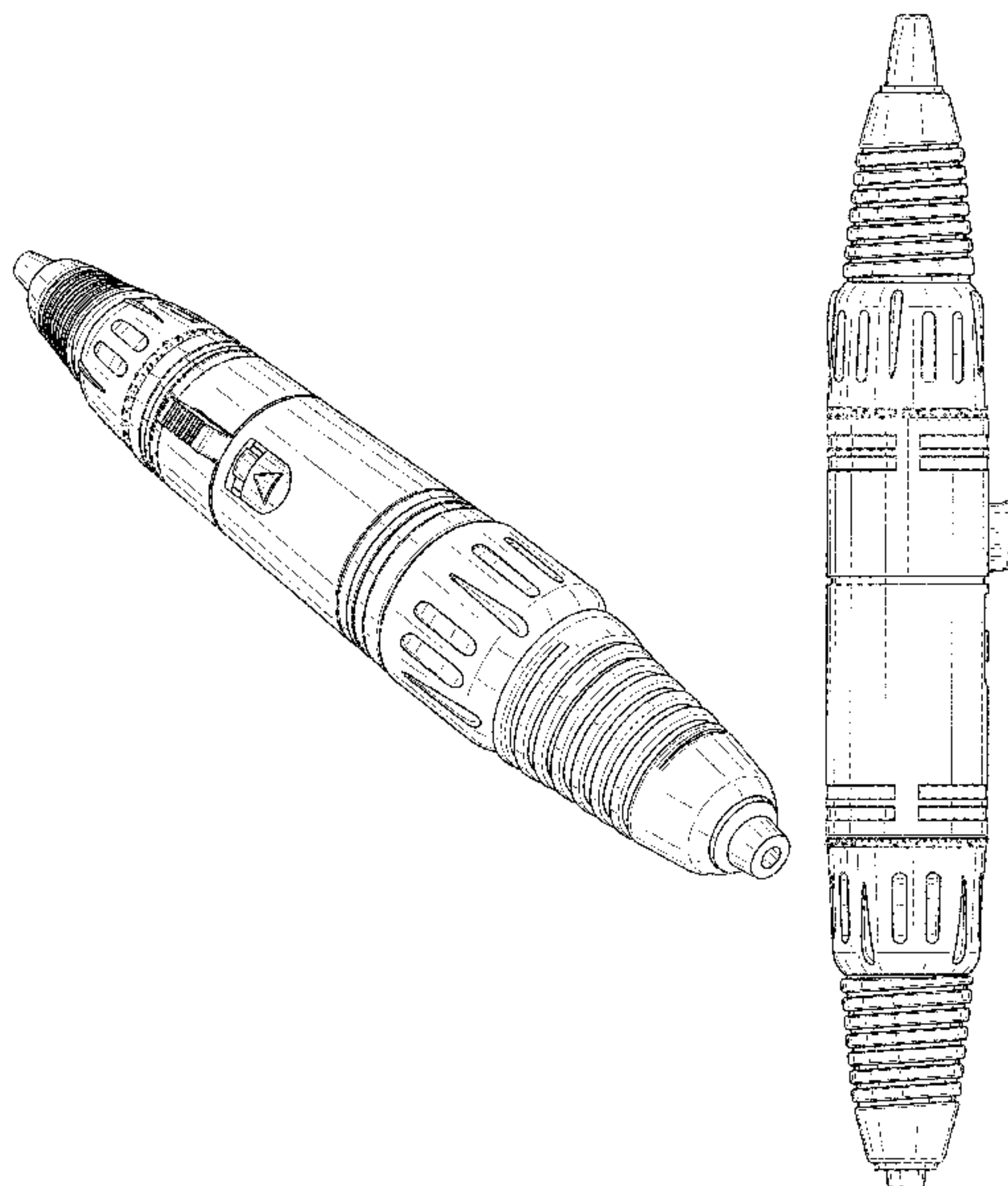
(57) **CLAIM**

The ornamental design for a pen, as shown and described.

DESCRIPTION

FIG. 1 is a perspective view of a pen according to my new design;
FIG. 2 is a front view thereof;
FIG. 3 is a rear view thereof;
FIG. 4 is a top view thereof;
FIG. 5 is a bottom view thereof;
FIG. 6 is a right side view thereof; and,
FIG. 7 is a left side view thereof.
The broken lines in the figures show portions of the pen that form no part of the claimed design.

1 Claim, 4 Drawing Sheets



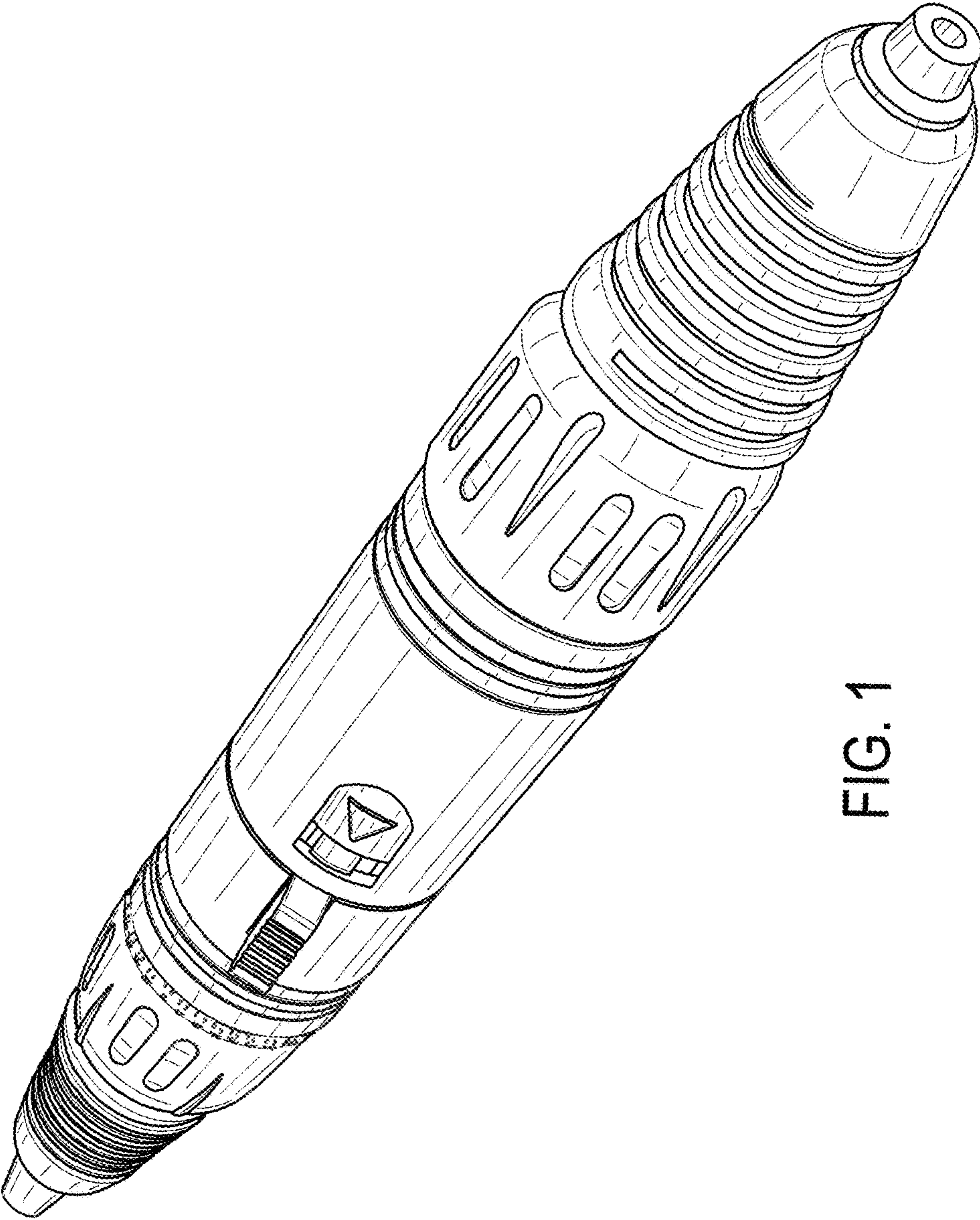


FIG. 1

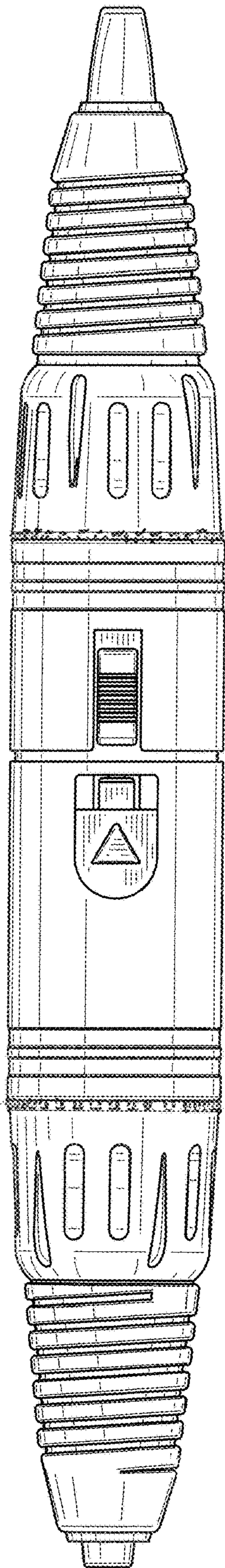


FIG. 2

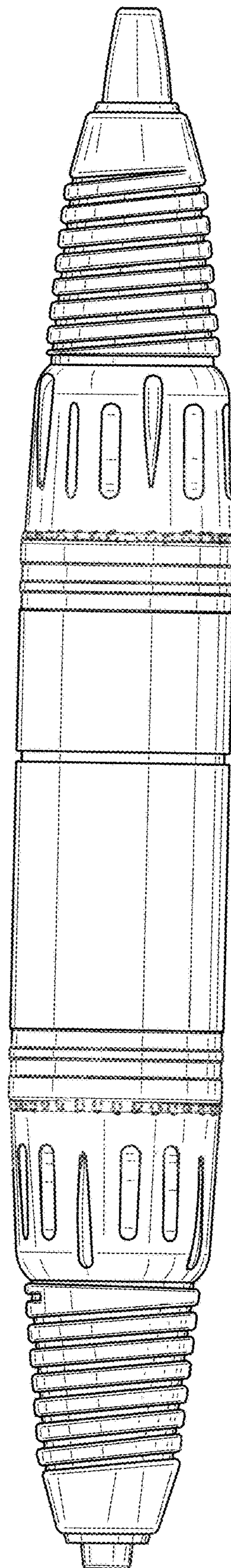


FIG. 3

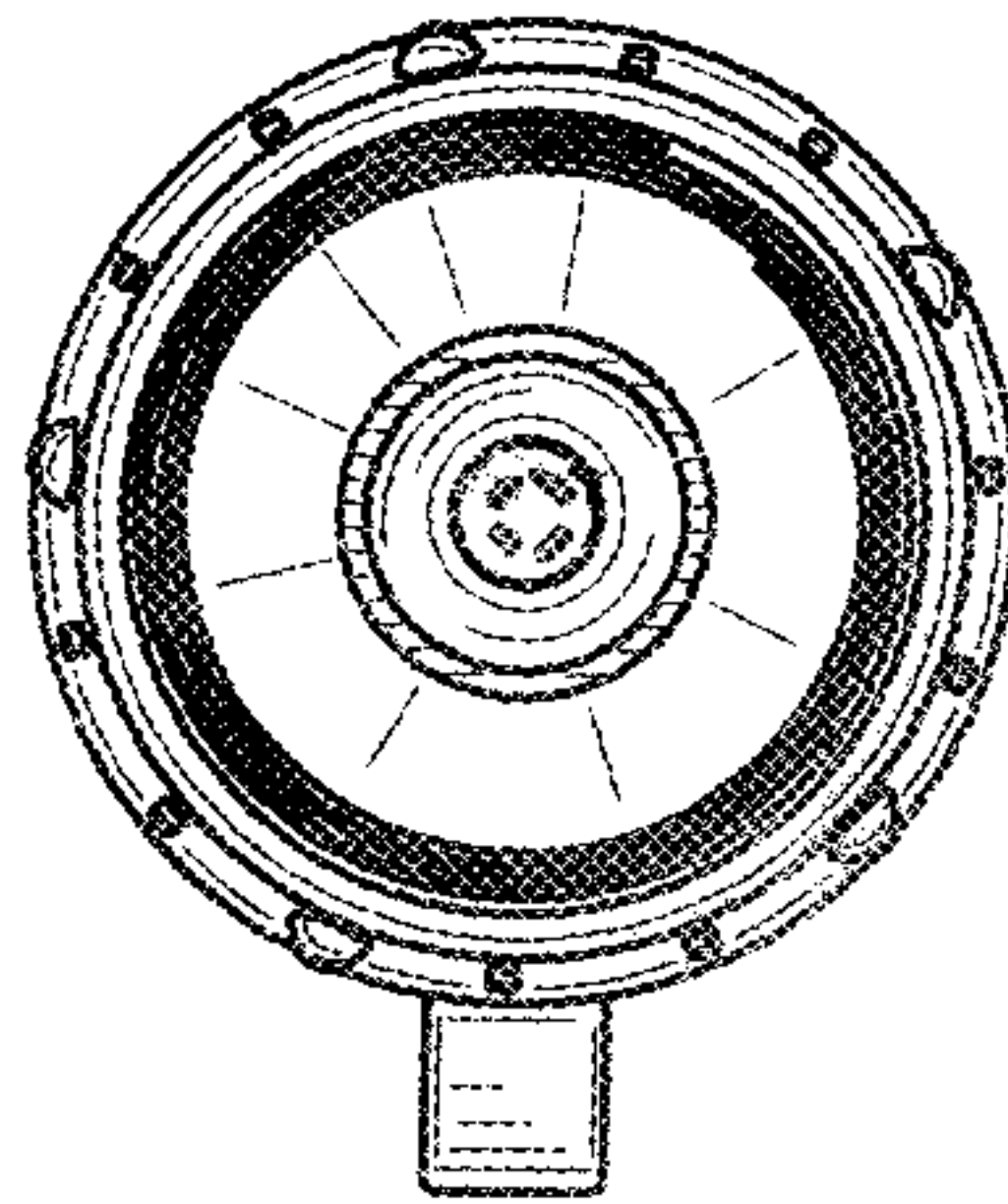


FIG. 4

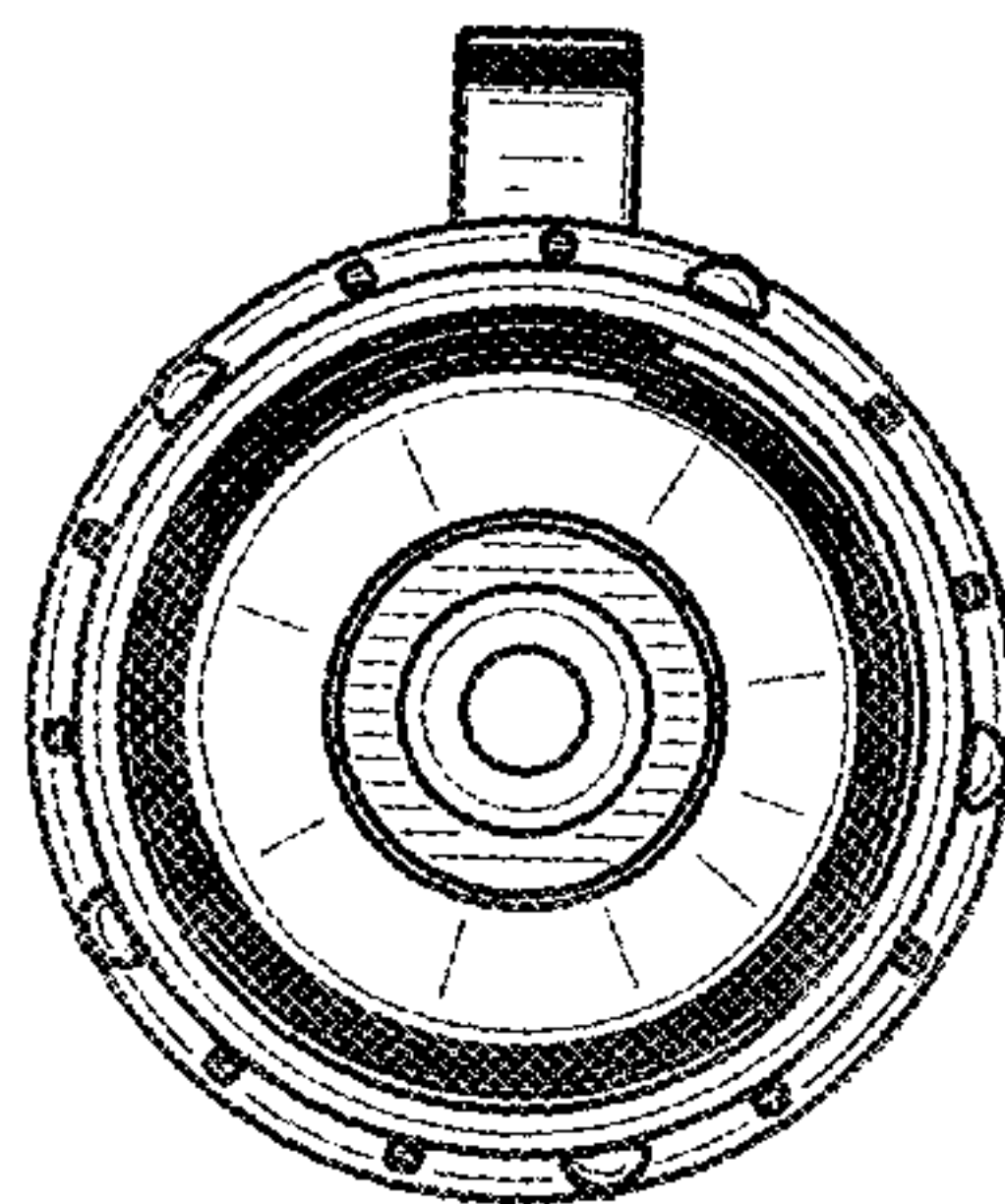


FIG. 5

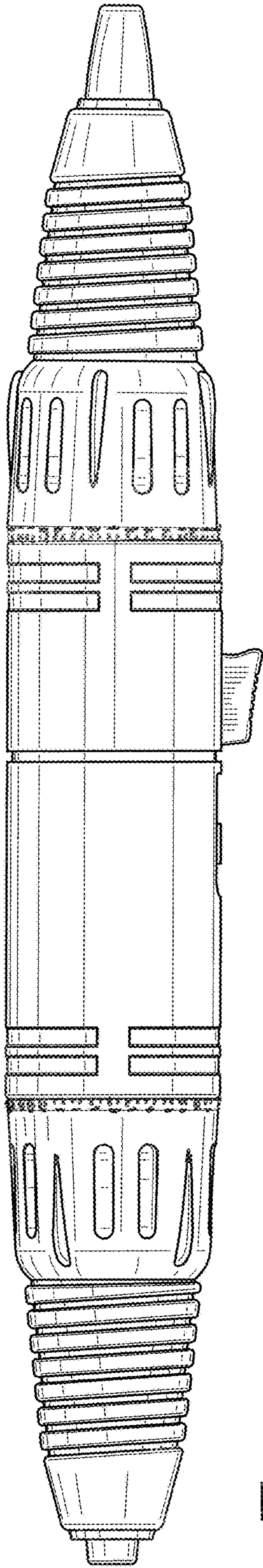


FIG. 6

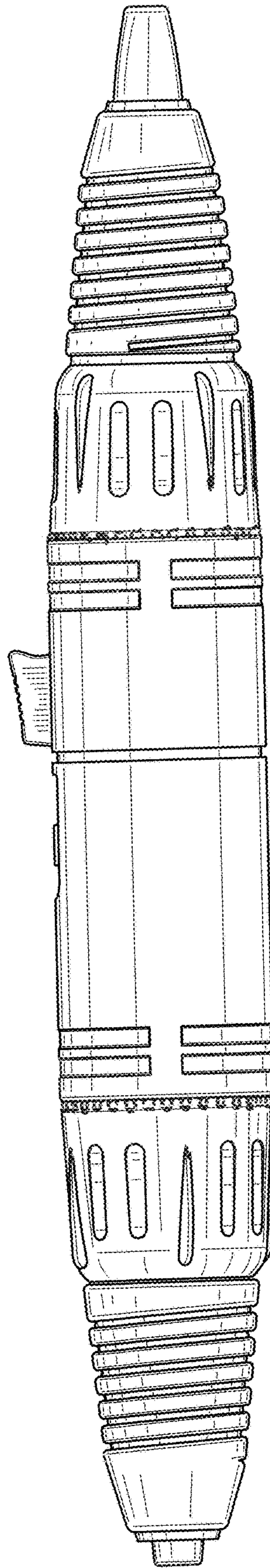


FIG. 7