



US00D839348S

(12) **United States Design Patent** (10) **Patent No.:** **US D839,348 S**
Nakazawa et al. (45) **Date of Patent:** **** Jan. 29, 2019**

(54) **BALLPOINT PEN**
(71) Applicant: **PENTEL KABUSHIKI KAISHA,**
Tokyo (JP)
(72) Inventors: **Hidekazu Nakazawa,** Tokyo (JP);
Tomoaki Shibata, Tokyo (JP)
(73) Assignee: **PENTEL KABUSHIKI KAISHA (JP)**
(**) Term: **15 Years**
(21) Appl. No.: **29/600,996**
(22) Filed: **Apr. 18, 2017**
(51) **LOC (11) Cl.** **19-06**
(52) **U.S. Cl.**
USPC **D19/174; D19/906; D19/923**
(58) **Field of Classification Search**
USPC D14/411; D19/115-204
CPC . B43K 5/005; B43K 7/12; B43K 8/04; B43K
8/06; B43K 19/00; B43K 19/02; B43K
19/14; B43K 21/006; B43K 21/06
See application file for complete search history.

D647,137 S * 10/2011 Uchiyama D19/172
D648,789 S * 11/2011 Shibata D19/172
D652,080 S * 1/2012 Shibata D19/172
D708,263 S * 7/2014 Laemle D19/179
D724,669 S * 3/2015 Nakazawa D19/172
(Continued)

FOREIGN PATENT DOCUMENTS

JP D1379804 2/2010

OTHER PUBLICATIONS

Notification of Reasons for Refusal together with English language translation thereof, dated Mar. 21, 2017 in Japanese Application No. 2016-022751.

(Continued)

Primary Examiner — Elizabeth A. Albert
(74) *Attorney, Agent, or Firm* — Adams & Wilks

(57) **CLAIM**

The ornamental design for a ballpoint pen, as shown and described.

DESCRIPTION

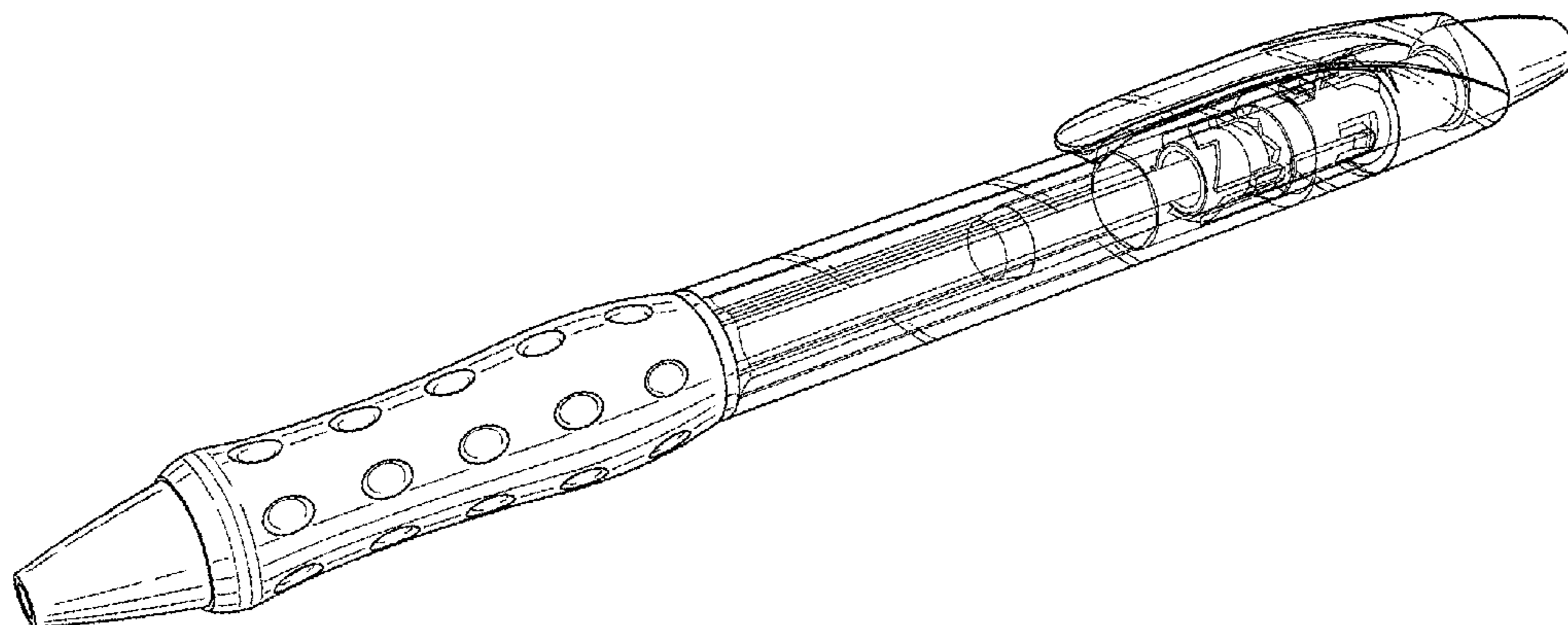
FIG. 1 is a perspective view of a ballpoint pen showing our new design in accordance with a first embodiment;
FIG. 2 is a front view thereof;
FIG. 3 is a rear view thereof;
FIG. 4 is a bottom view thereof;
FIG. 5 is a left side view thereof;
FIG. 6 is a right side view thereof;
FIG. 7 is an enlarged left side view thereof;
FIG. 8 is an enlarged right side view thereof;
FIG. 9 is a front view thereof, with the writing tip extended; and,
FIG. 10 is a bottom view thereof, with the writing tip extended.

1 Claim, 4 Drawing Sheets

(56) **References Cited**

U.S. PATENT DOCUMENTS

D368,738 S * 4/1996 Osada D19/173
D418,163 S * 12/1999 Rosen D19/171
D438,903 S * 3/2001 Rosenbaum D19/199
D443,642 S * 6/2001 Tsuchikura D19/117
D453,790 S * 2/2002 Tsuchikura D19/119
D457,917 S * 5/2002 Traut D19/172
D508,083 S * 8/2005 Cetera D19/174
D548,281 S * 8/2007 Tien D19/172
D549,778 S * 8/2007 Kent D19/172
D562,394 S * 2/2008 Qiu D19/168
D562,895 S * 2/2008 Shibata D19/172
D564,025 S * 3/2008 Oas D19/172
D586,393 S * 2/2009 Nishida D19/174
D620,524 S * 7/2010 Shibata D19/172
D630,247 S * 1/2011 Shimizu D19/172



(56)

References Cited

U.S. PATENT DOCUMENTS

D724,670 S * 3/2015 Yokoyama D19/174
2002/0192006 A1 * 12/2002 Vial B29C 45/1676
401/6

OTHER PUBLICATIONS

Notification of Reasons for Refusal together with English language translation thereof, dated Mar. 21, 2017 in Japanese Application No. 2016-022752.

* cited by examiner

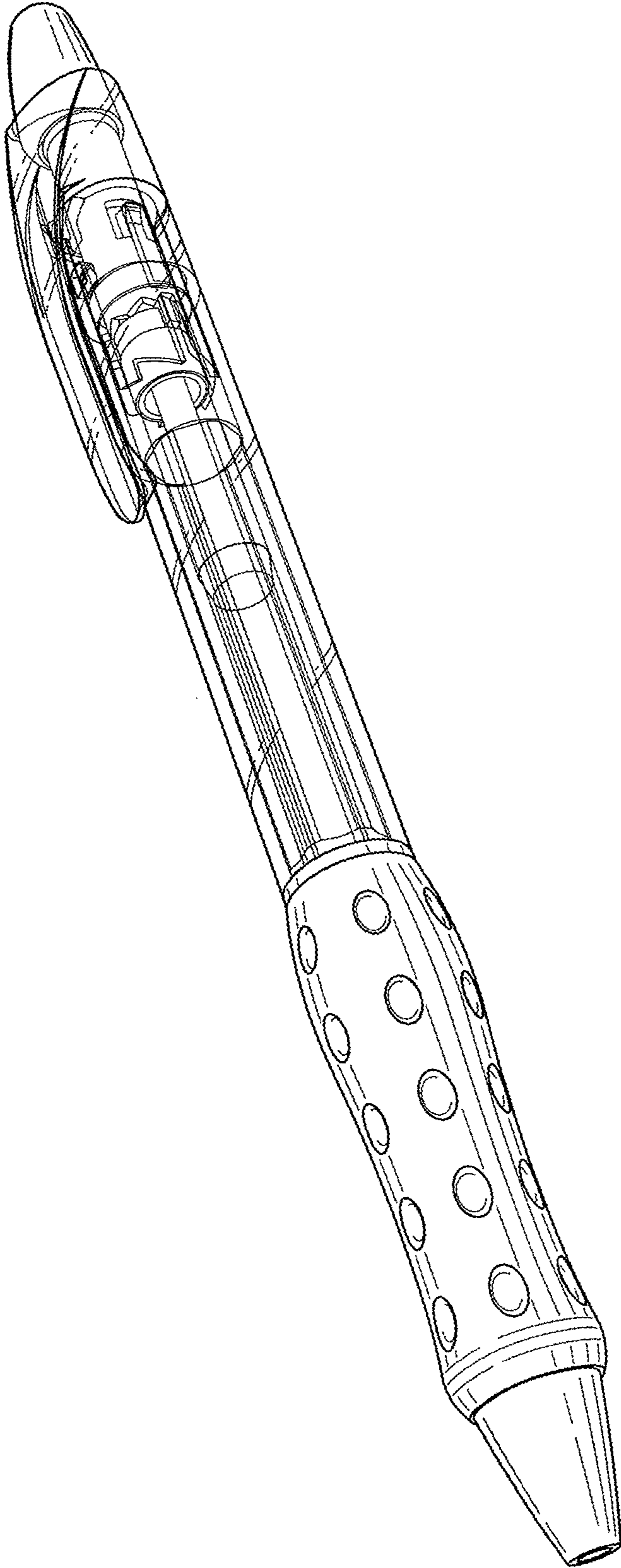


FIG. 1

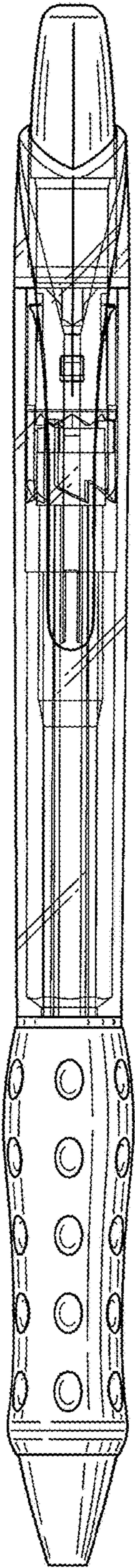


FIG. 2

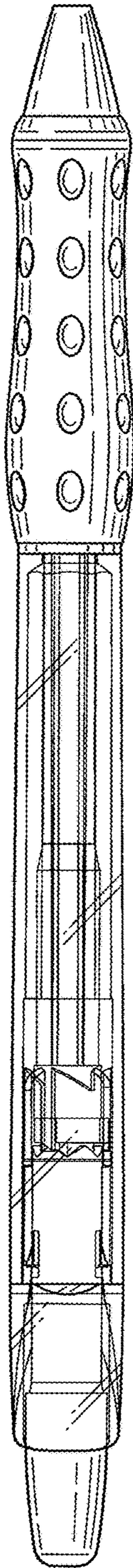


FIG. 3

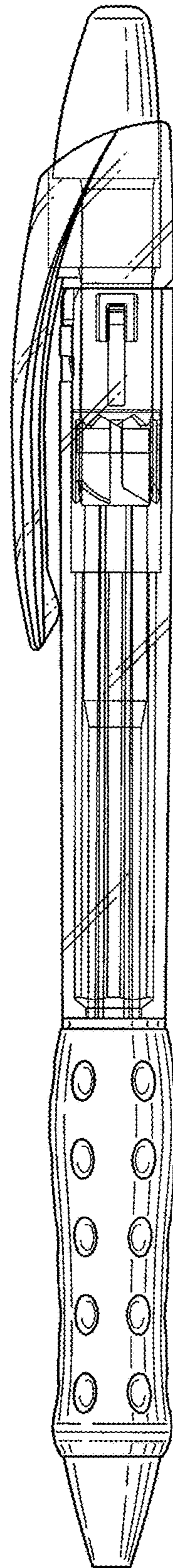


FIG. 4

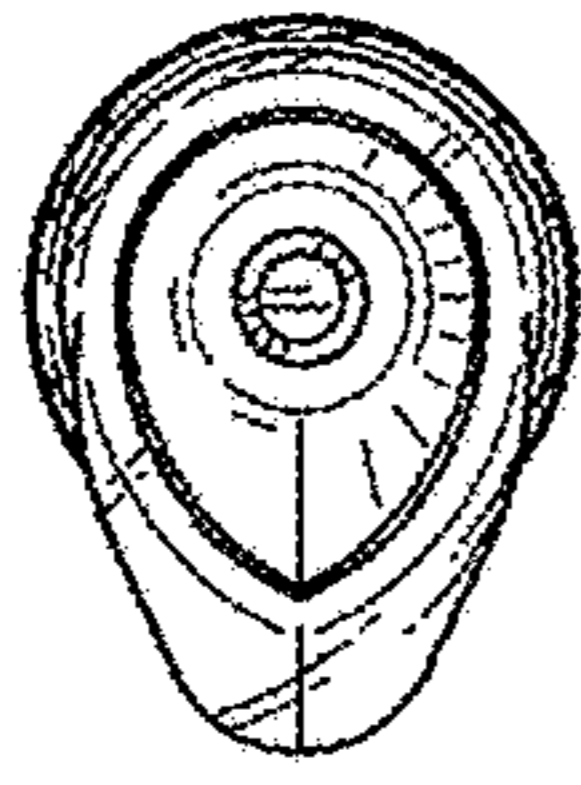


FIG. 5

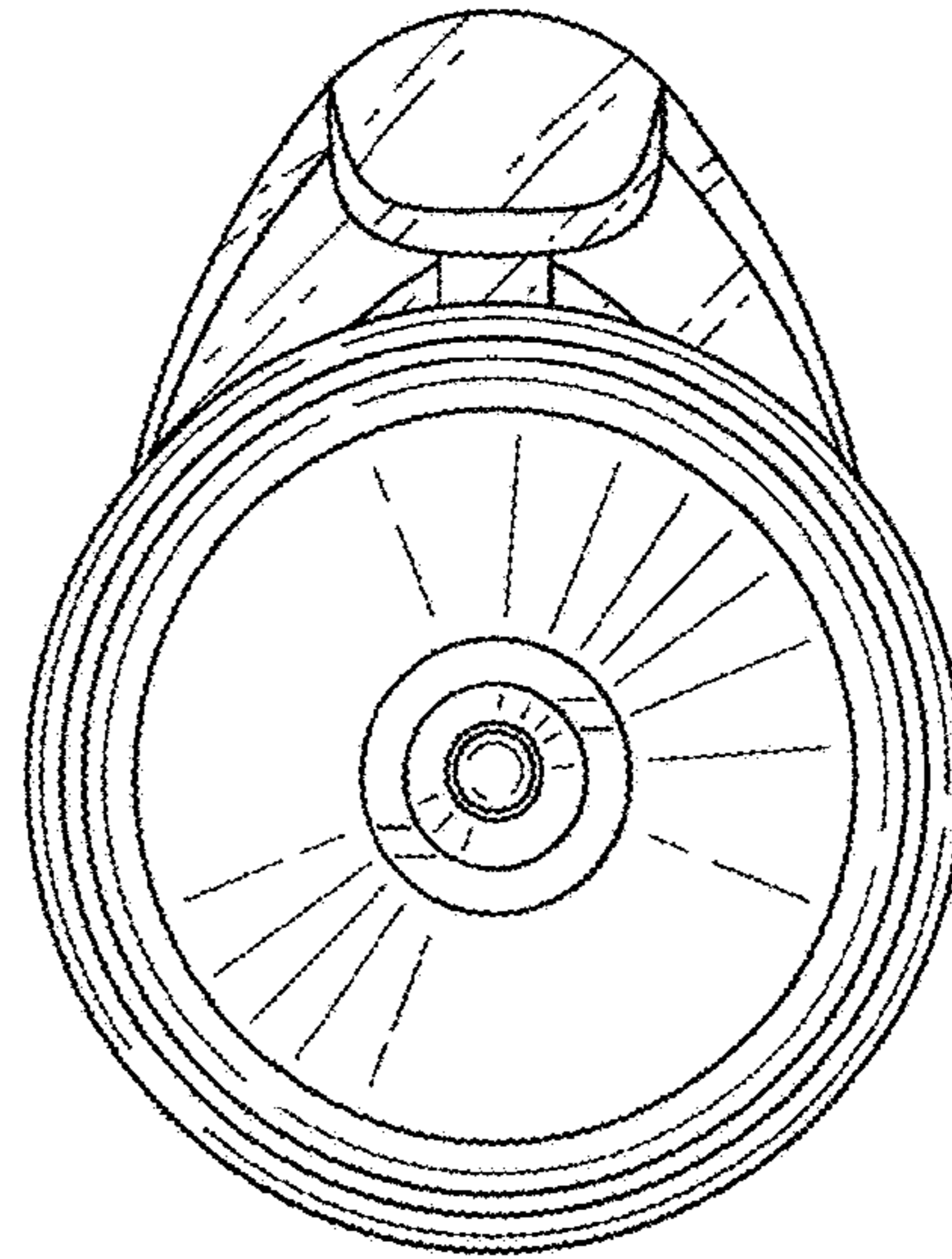


FIG. 7

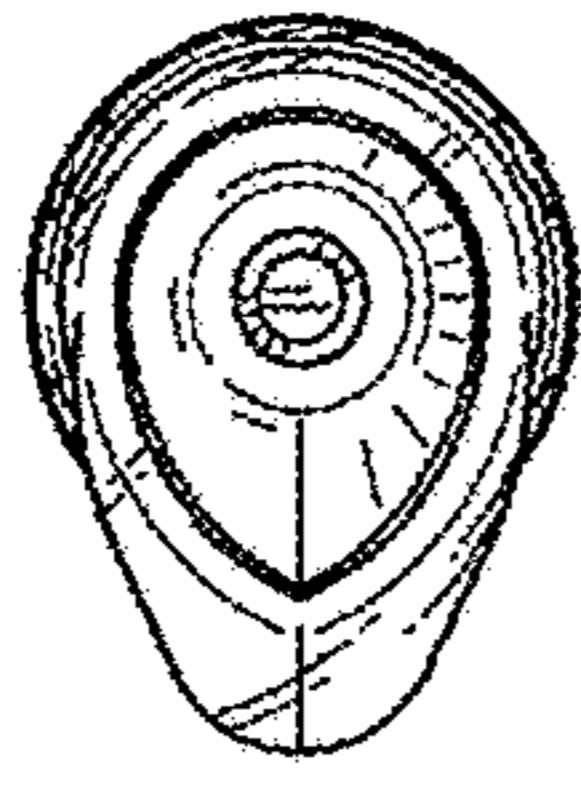


FIG. 6

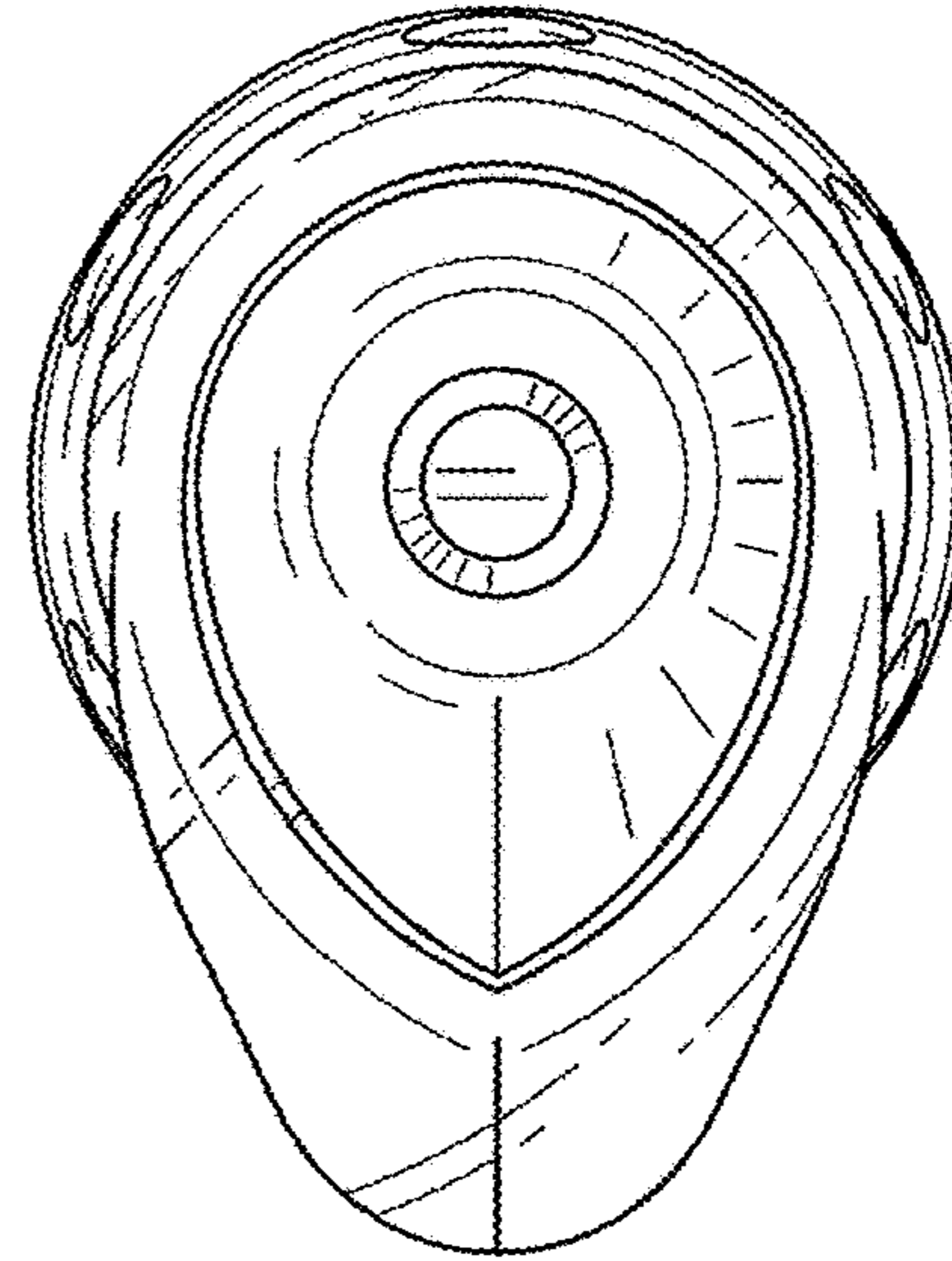


FIG. 8

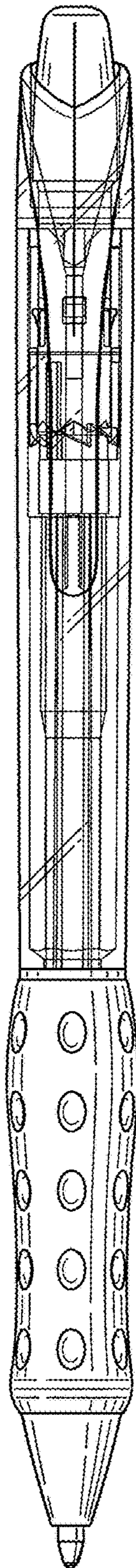


FIG. 9

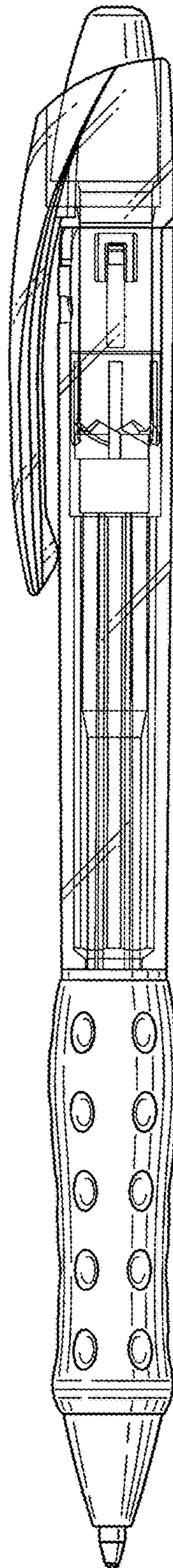


FIG. 10

UNITED STATES PATENT AND TRADEMARK OFFICE
CERTIFICATE OF CORRECTION

PATENT NO. : D839,348 S
APPLICATION NO. : 29/600996
DATED : January 29, 2019
INVENTOR(S) : Hidekazu Nakazawa and Tomoaki Shibata

Page 1 of 1

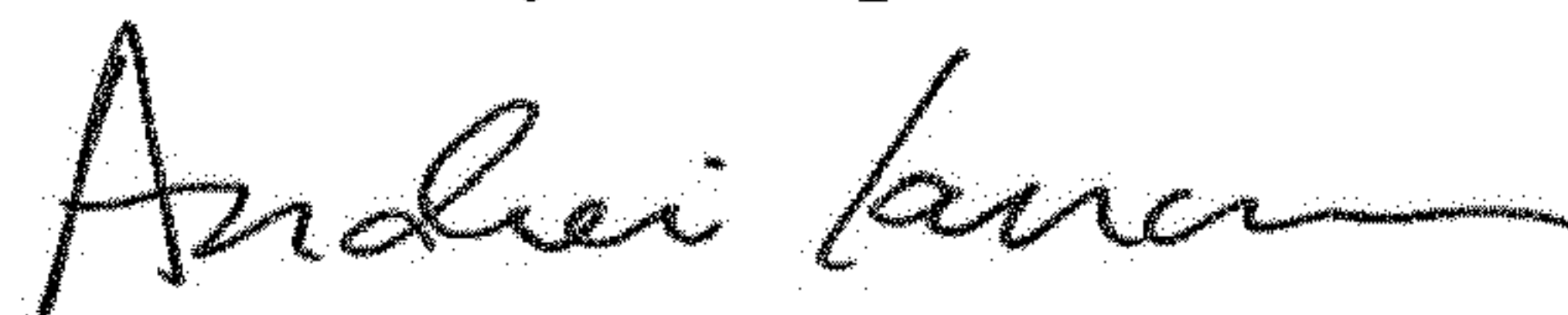
It is certified that error appears in the above-identified patent and that said Letters Patent is hereby corrected as shown below:

On the Title Page

Item (30) Foreign Application Priority Data, Please add the following:

--Oct. 19, 2016 (JP) 2016-022751
Oct. 19, 2016 (JP) 2016-022752--

Signed and Sealed this
Tenth Day of September, 2019



Andrei Iancu
Director of the United States Patent and Trademark Office