



US00D839347S

(12) **United States Design Patent** (10) **Patent No.:** **US D839,347 S**
Schnug (45) **Date of Patent:** **** Jan. 29, 2019**

- (54) **PEN**
- (71) Applicant: **PRODIR, S.A.**, Cadempino (CH)
- (72) Inventor: **Christoph Schnug**, Berlin (DE)
- (73) Assignee: **PAGANI, S.A.**, Cadampino (CH)
- (**) Term: **15 Years**
- (21) Appl. No.: **29/612,461**
- (22) Filed: **Aug. 1, 2017**

Related U.S. Application Data

- (62) Division of application No. 35/500,556, filed on Jan. 14, 2016 (U.S. filing date under 35 U.S.C. 384), and having an international filing date of Jan. 14, 2016, now Pat. No. Des. 797,191.

(51) **LOC (11) Cl.** **19-06**

(52) **U.S. Cl.**
USPC **D19/173; D19/907**

(58) **Field of Classification Search**
USPC D14/411; D19/115-204
CPC . B43K 5/005; B43K 7/12; B43K 8/04; B43K 8/06; B43K 19/00; B43K 19/02; B43K 19/14; B43K 21/006; B43K 21/06
See application file for complete search history.

(56) **References Cited**

U.S. PATENT DOCUMENTS

D9,317 S *	5/1876	Dicker	D19/185
D87,067 S *	5/1932	Kolber	D19/163
D161,310 S *	12/1950	Brown	D19/185
D229,357 S *	11/1973	Defores	D19/170
D393,876 S *	4/1998	Gray	D19/186
D401,276 S *	11/1998	Worther	D19/171

D404,763 S *	1/1999	Shimizu	D19/173
5,984,556 A *	11/1999	Gray	B43K 23/008 401/192
D523,081 S *	6/2006	Pellissa Beneyto	D19/174
D544,541 S *	6/2007	Li	D19/166
D576,211 S *	9/2008	Qiu	D19/175
D576,212 S *	9/2008	Qiu	D19/117
D589,559 S *	3/2009	Slemp	D19/169
D619,487 S *	7/2010	Graff	D11/3
D644,691 S *	9/2011	Pagani	D19/173
D689,933 S *	9/2013	Li	D19/171
D690,360 S *	9/2013	Jin	D19/173
D697,970 S *	1/2014	Jin	D19/173
D730,987 S *	6/2015	Schnug	D19/171
D777,836 S *	1/2017	Schnug	D19/173
D797,191 S *	9/2017	Schnug	D19/171
D820,909 S *	6/2018	Conti	D19/171
2009/0165261 A1 *	7/2009	Furukawa	B43K 23/126 24/11 R

* cited by examiner

Primary Examiner — Elizabeth A. Albert

(74) *Attorney, Agent, or Firm* — Daniel A. Tallitsch;
Baker McKenzie LLP

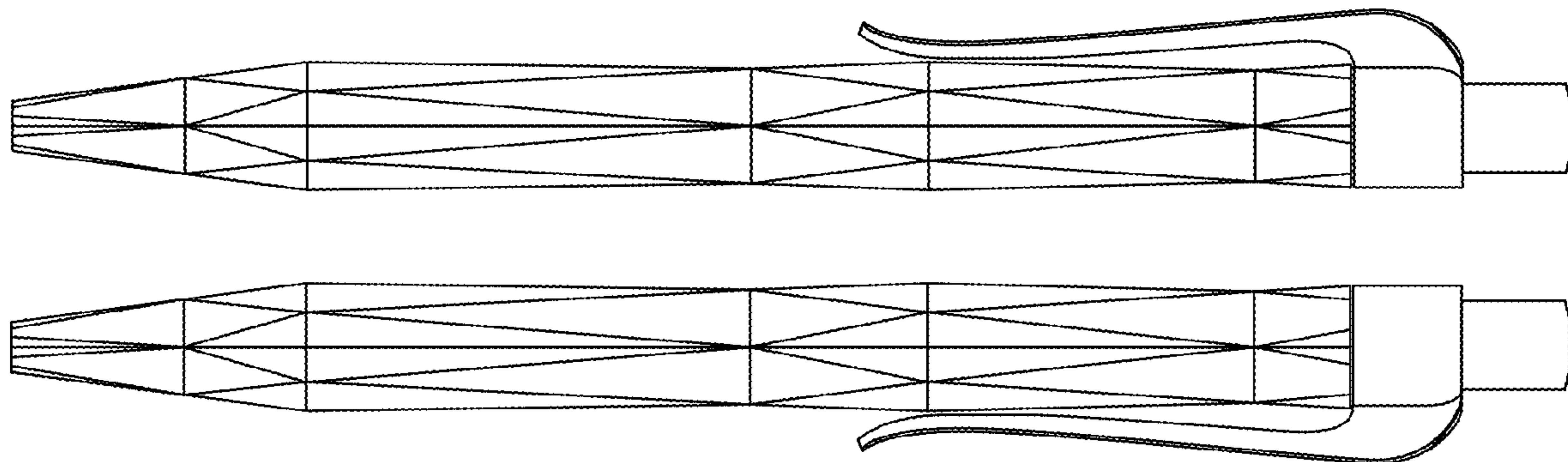
(57) **CLAIM**

The ornamental design for a pen, as shown and described.

DESCRIPTION

FIG. 1 is a front perspective view of a pen showing my new design;
FIG. 2 is a right side view thereof;
FIG. 3 is a front view thereof;
FIG. 4 is a left side view thereof;
FIG. 5 is a back view thereof;
FIG. 6 is a bottom view thereof; and,
FIG. 7 is a top view thereof.

1 Claim, 2 Drawing Sheets



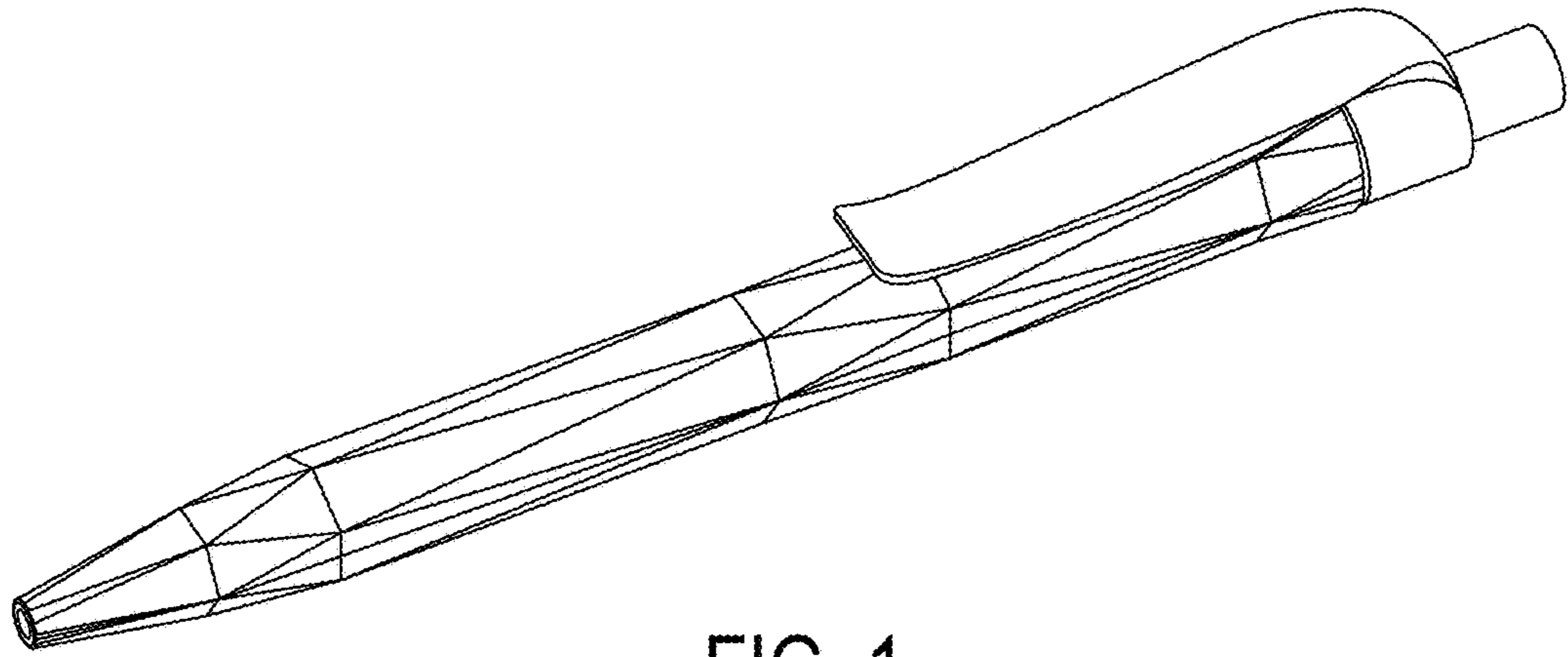


FIG. 1

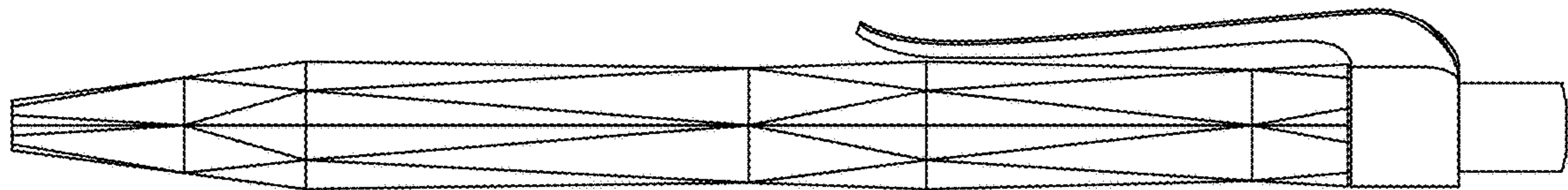


FIG. 2

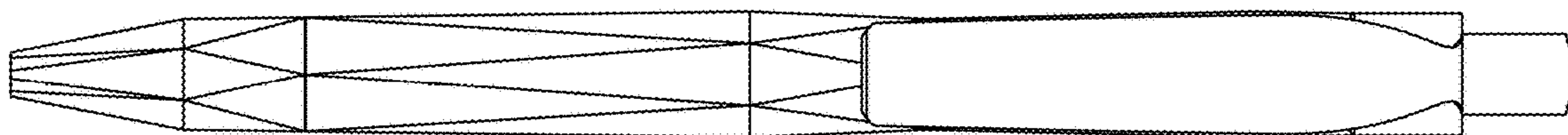


FIG. 3

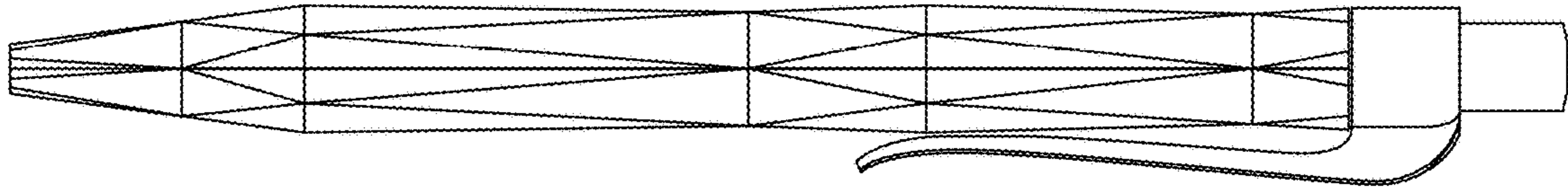


FIG. 4

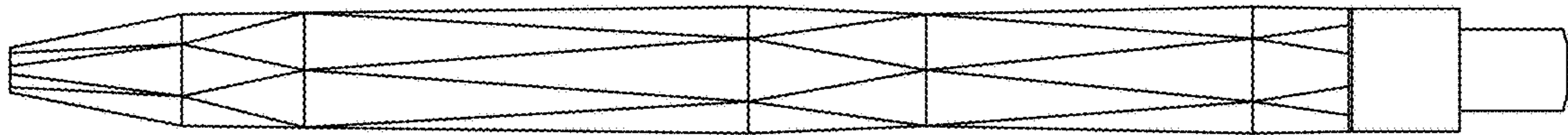


FIG. 5

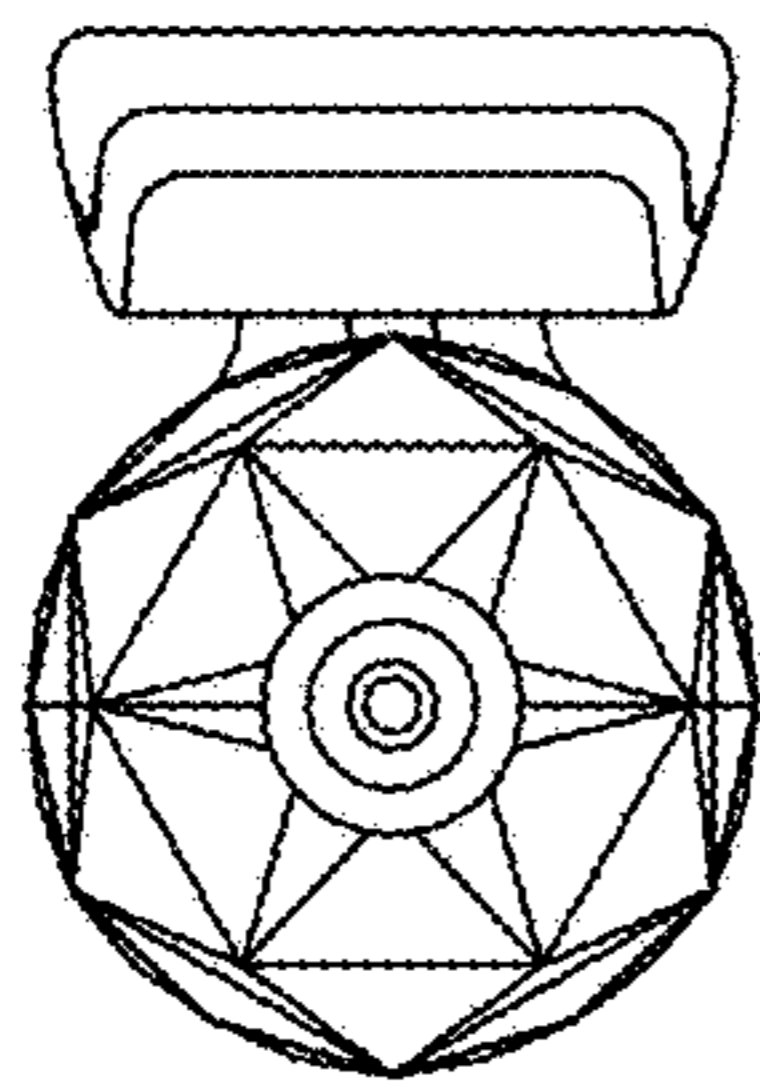


FIG. 6

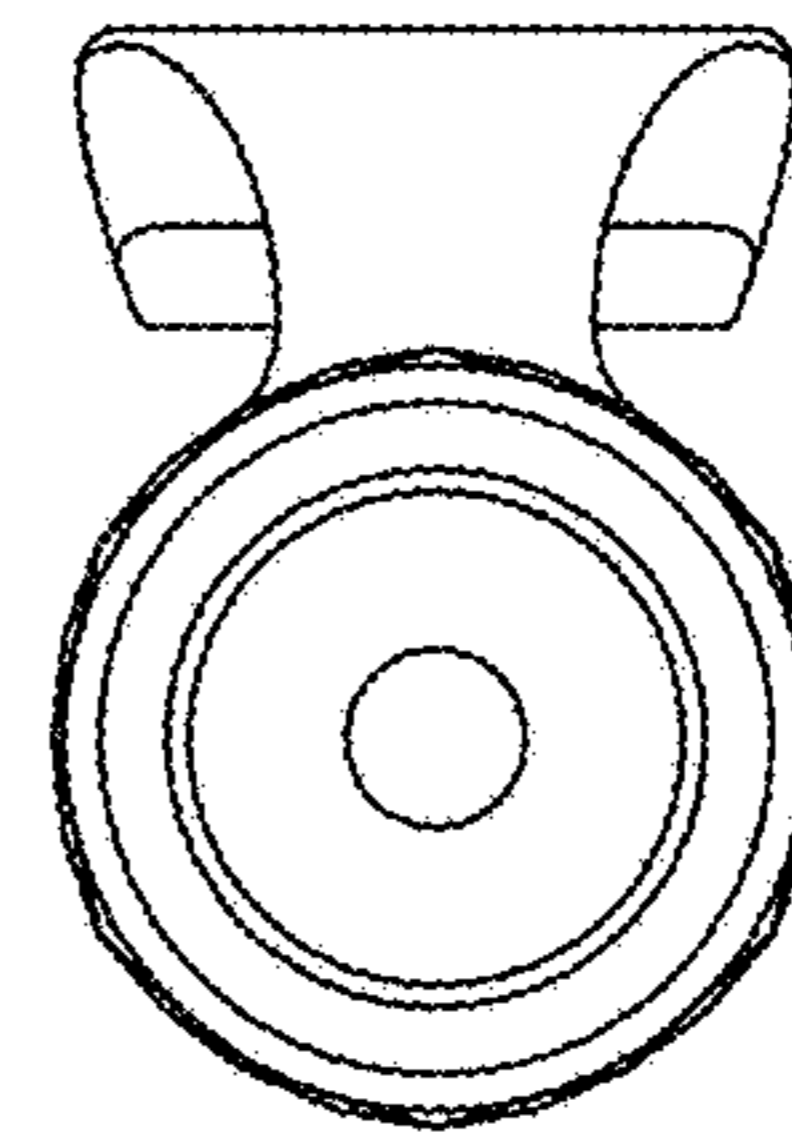


FIG. 7