



US00D839346S

(12) **United States Design Patent**
Fletcher-Price

(10) **Patent No.: US D839,346 S**

(45) **Date of Patent: ** Jan. 29, 2019**

(54) **DOCUMENT HOLDER**

(71) Applicant: **Posturite Limited**, Berwick (GB)

(72) Inventor: **Ian George Fletcher-Price**, Berwick (GB)

(73) Assignee: **Posturite Limited**, Berwick (GB)

(**) Term: **15 Years**

(21) Appl. No.: **29/597,270**

(22) Filed: **Mar. 15, 2017**

(30) **Foreign Application Priority Data**

Sep. 15, 2016 (EM) 3381102-0001

(51) **LOC (11) Cl.** **19-02**

(52) **U.S. Cl.**
USPC **D19/91**

(58) **Field of Classification Search**

USPC D19/86, 88, 20, 90, 91, 113; D20/42, 43;
D6/300, 513, 406.4, 406.5, 406.6, 420;
248/206.2; 224/482; 40/593; D7/550,
D7/552.2, 553, 553.3; D26/58
CPC ... G09F 1/12; G09F 3/20; G09F 3/185; A47G
1/06; A47G 1/12; B42D 3/12; B42F
9/001

See application file for complete search history.

(56) **References Cited**

U.S. PATENT DOCUMENTS

D283,474 S * 4/1986 Appel D19/86
D347,360 S * 5/1994 Wheeler D19/113

D360,649 S * 7/1995 Volk D19/106
D422,643 S * 4/2000 Goslin D20/43
D433,463 S * 11/2000 Dalbo D19/86
D765,786 S * 9/2016 Clark D20/43

FOREIGN PATENT DOCUMENTS

GB 2098682 * 6/2001
GB 3009747 * 4/2003

OTHER PUBLICATIONS

Document Holder posted by Posturite posted review date Dec. 15, 2014, © Human Solution, [online], [site visited Apr. 25, 2018]. Available from Internet, <https://www.thehumansolution.com/posturite-multirite-document-holder.html> (Year: 2014).*

* cited by examiner

Primary Examiner — Cynthia Ramirez

Assistant Examiner — Laura H Yu

(74) *Attorney, Agent, or Firm* — Levy & Grandinetti

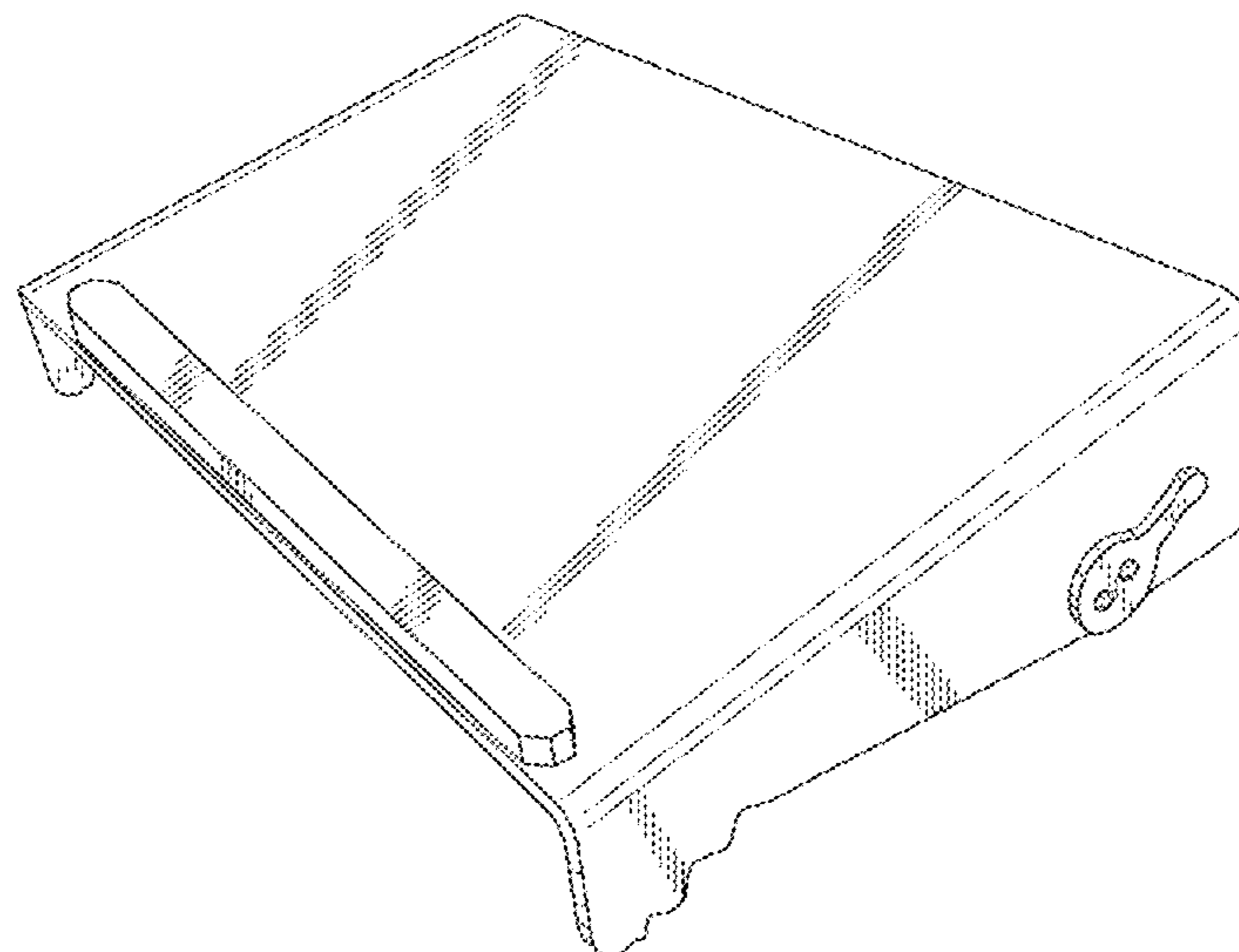
(57) **CLAIM**

I claim the ornamental design for a document holder, as shown and described.

DESCRIPTION

FIG. 1 is a perspective view of a document holder, showing my new design;
FIG. 2 is a front view of the document holder of FIG. 1;
FIG. 3 is a back view of the document holder of FIG. 1;
FIG. 4 is a right side view of the document holder of FIG. 1, left side view is a mirror image of the right side view;
FIG. 5 is a top view of the document holder of FIG. 1; and
FIG. 6 is a bottom view of the document holder of FIG. 1.

1 Claim, 6 Drawing Sheets



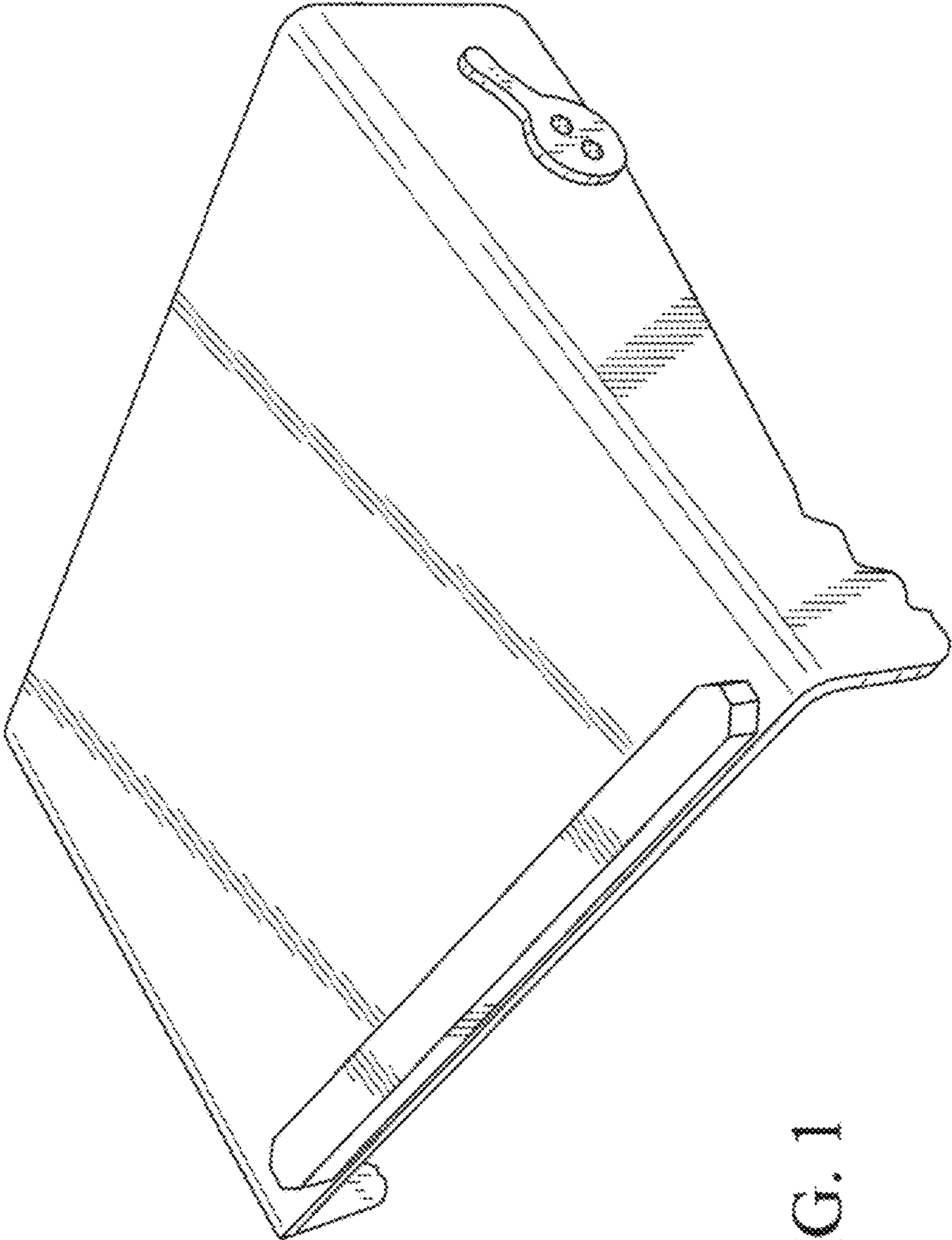


FIG. 1

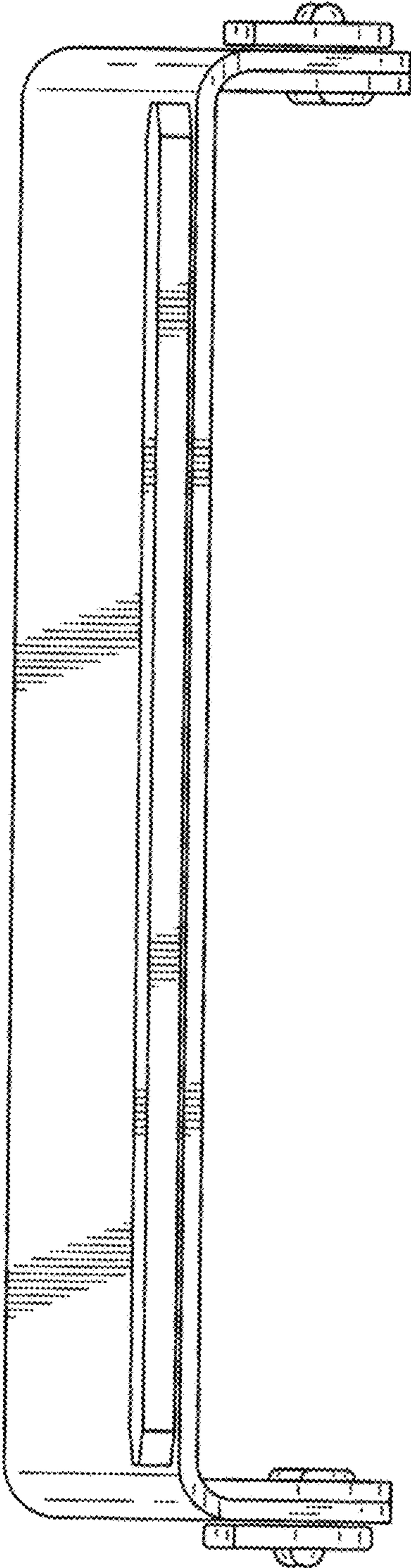


FIG. 2

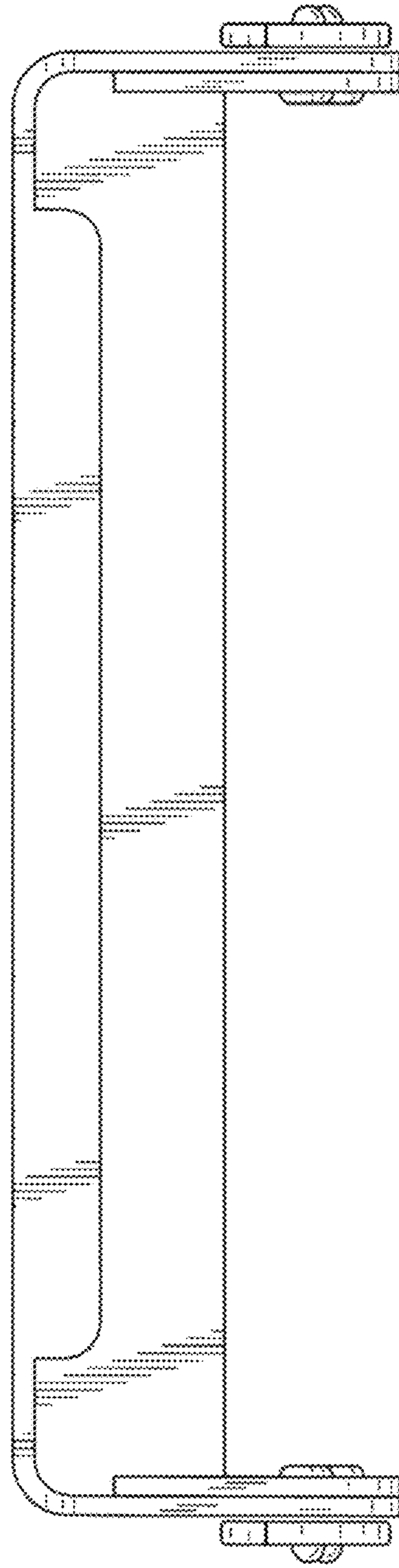


FIG. 3

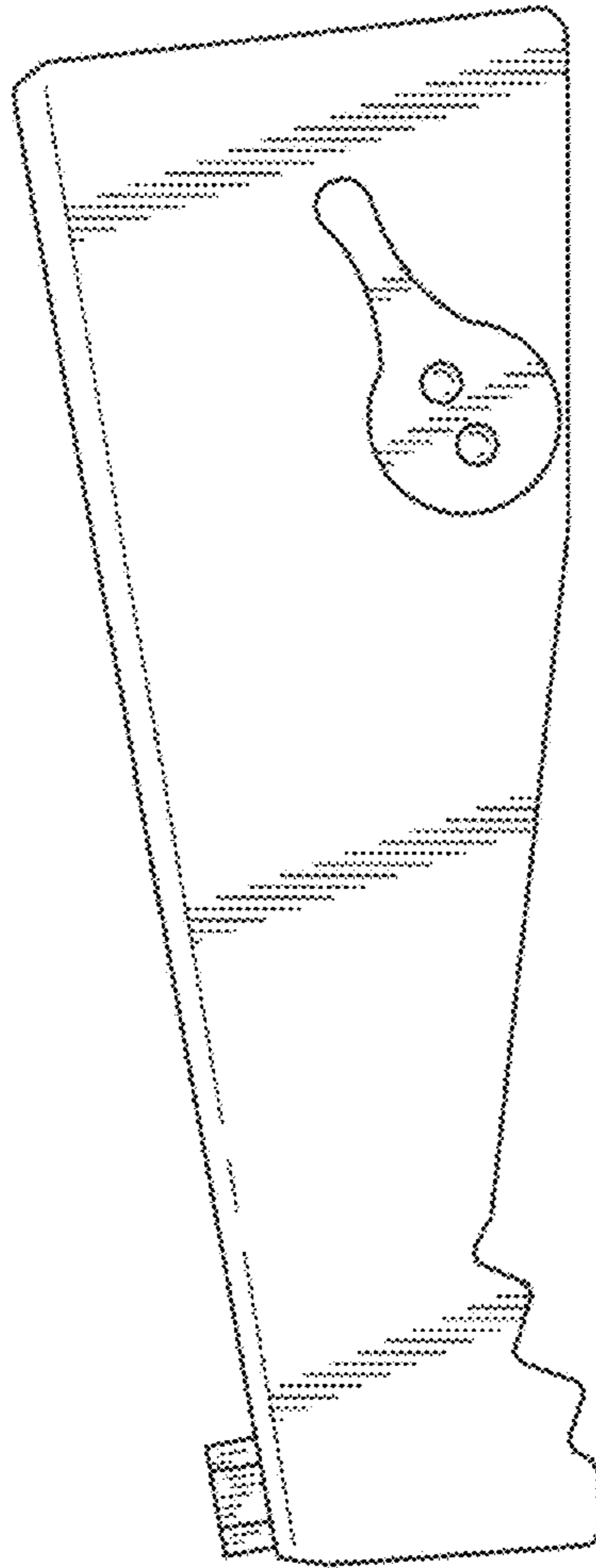


FIG. 4

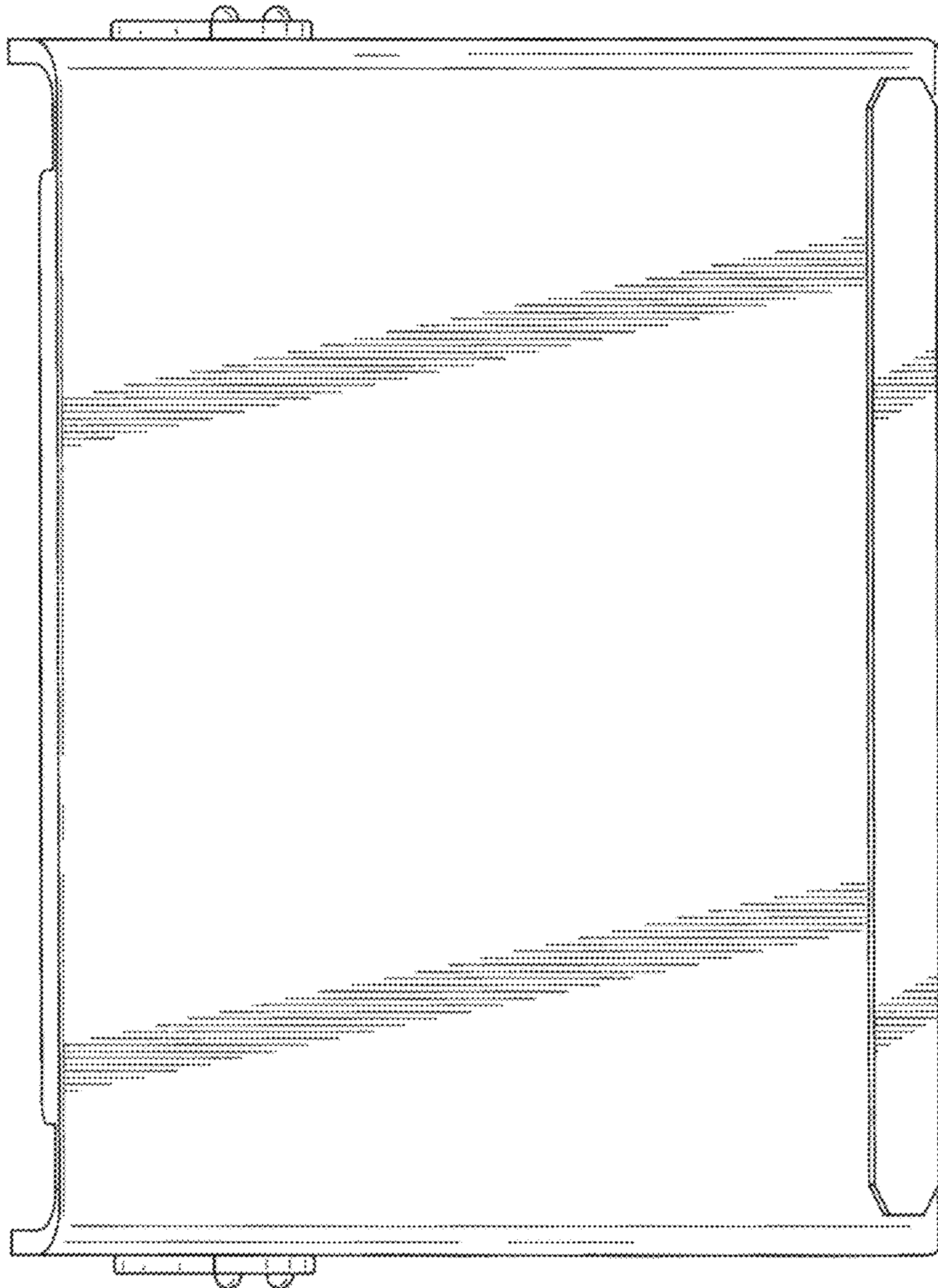


FIG. 5

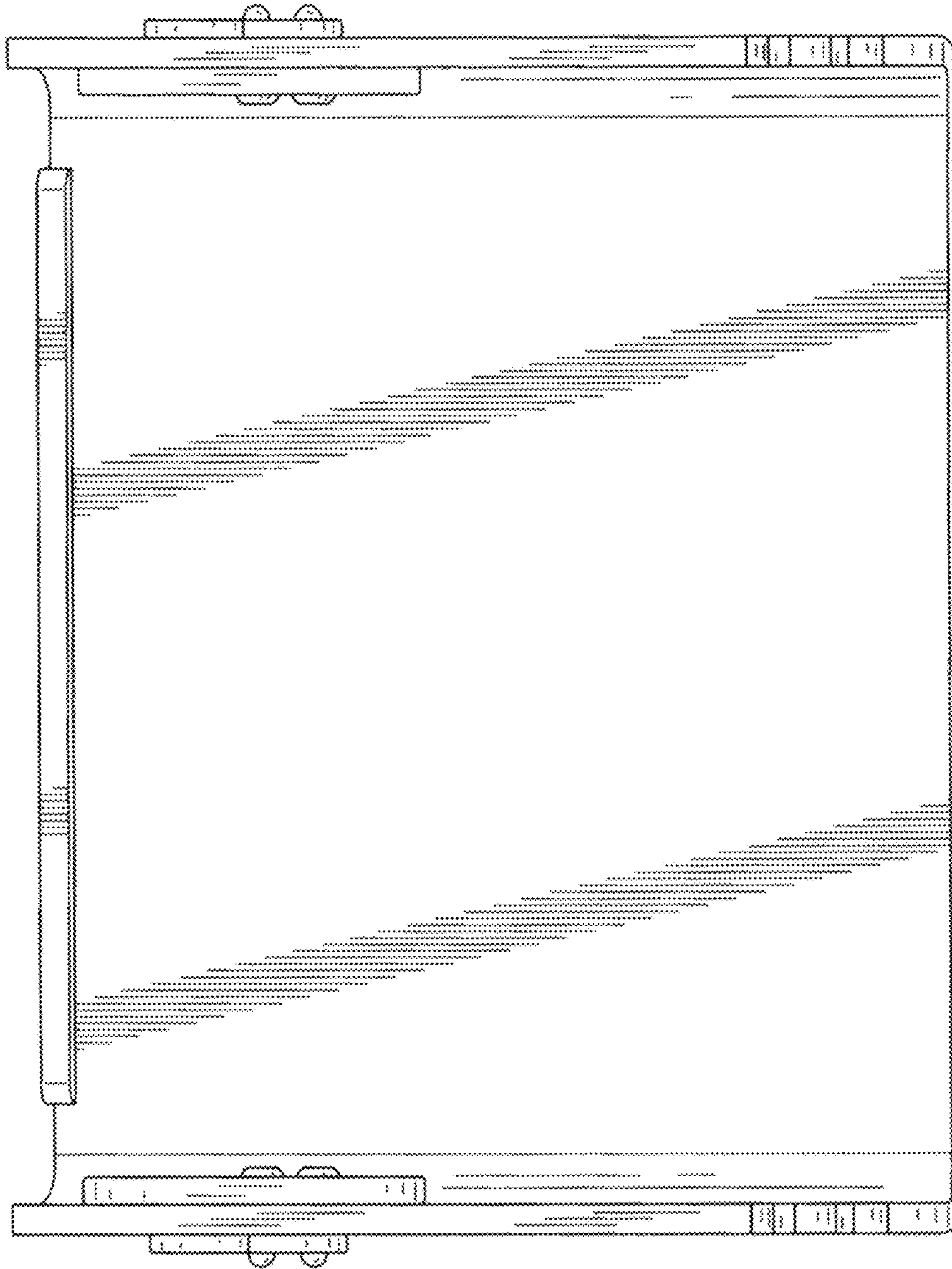


FIG. 6