



US00D839345S

(12) **United States Design Patent**  
**Rosas**

(10) **Patent No.:** **US D839,345 S**  
(45) **Date of Patent:** **\*\* Jan. 29, 2019**

- (54) **ORGANIZER**
- (71) Applicant: **Lisa Elliot-Rosas, LLC**, Ojai, CA (US)
- (72) Inventor: **Lisa Rosas**, Ojai, CA (US)
- (73) Assignee: **Lisa Elliot-Rosas, LLC**, Ojai, CA (US)
- (\*\*) Term: **15 Years**
- (21) Appl. No.: **29/603,138**
- (22) Filed: **May 7, 2017**
- (51) **LOC (11) Cl.** ..... **19-02**
- (52) **U.S. Cl.**  
USPC ..... **D19/86**
- (58) **Field of Classification Search**  
USPC ..... D19/75, 76, 77, 78, 84, 85, 86, 89, 90,  
D19/91, 92; D3/206, 227, 299, 315;  
D6/634, 675.1; D9/734  
CPC .. B43M 99/00; B43M 99/001; B43M 99/003;  
B43M 99/006; B43M 99/008; B42D  
5/005; B42D 5/008; B42F 7/08; A45C  
3/02  
See application file for complete search history.

(56) **References Cited**

**U.S. PATENT DOCUMENTS**

- 329,676 A \* 11/1885 Reade ..... B42F 17/02  
206/425
- 635,582 A \* 10/1899 Pedrick ..... B42F 17/02  
150/129
- 821,019 A \* 5/1906 Cooke, Jr. .... B65D 27/08  
206/425
- 1,444,811 A \* 2/1923 Tarbox ..... B42F 7/08  
229/67.3
- 1,698,841 A \* 1/1929 Doughty ..... B42F 7/08  
229/72
- 1,842,077 A \* 1/1932 Doughty ..... B42F 7/08  
206/425
- D96,826 S \* 9/1935 Estrella ..... D19/86
- D132,746 S \* 6/1942 Schenker ..... D19/26

- 4,020,930 A \* 5/1977 Weber ..... A45C 3/02  
190/107
- 4,682,967 A \* 7/1987 Kao ..... A63H 33/04  
434/403
- 5,064,069 A \* 11/1991 Su ..... B42F 7/08  
190/900
- 5,171,202 A \* 12/1992 Su ..... B42C 7/002  
493/189
- 5,387,037 A \* 2/1995 Daitch ..... B42F 7/08  
150/112
- 6,364,110 B2 \* 4/2002 Johnson ..... A45C 3/00  
190/901

(Continued)

*Primary Examiner* — Elizabeth A. Albert

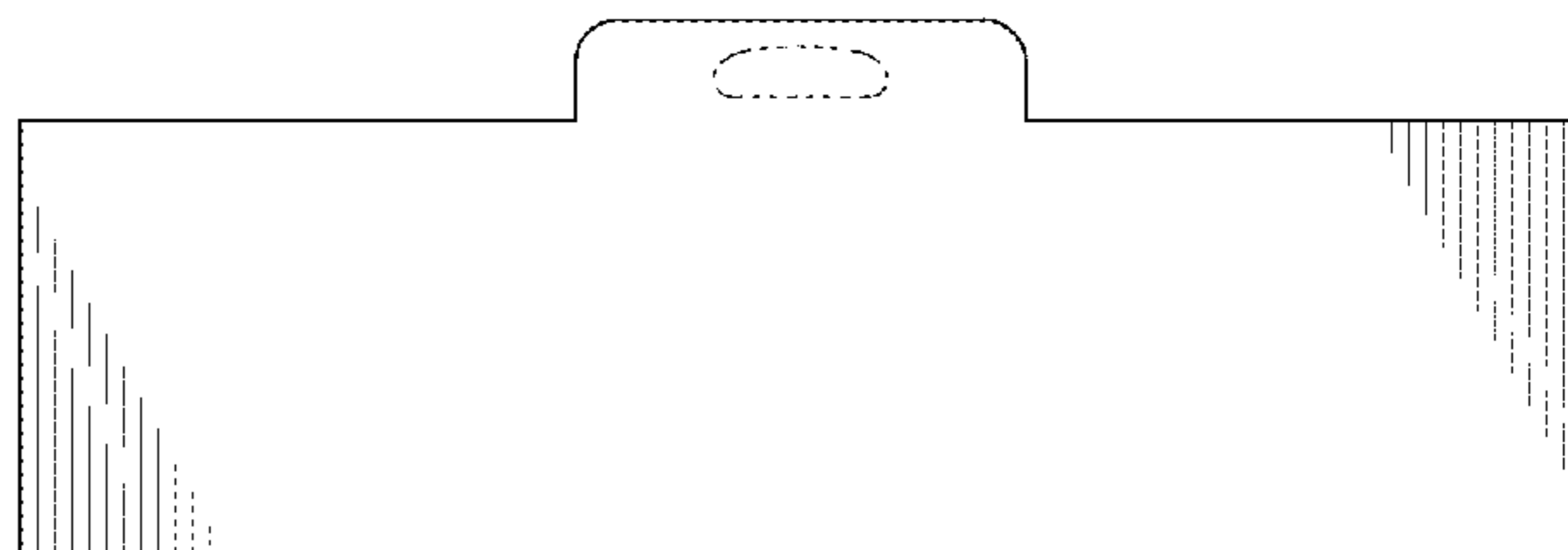
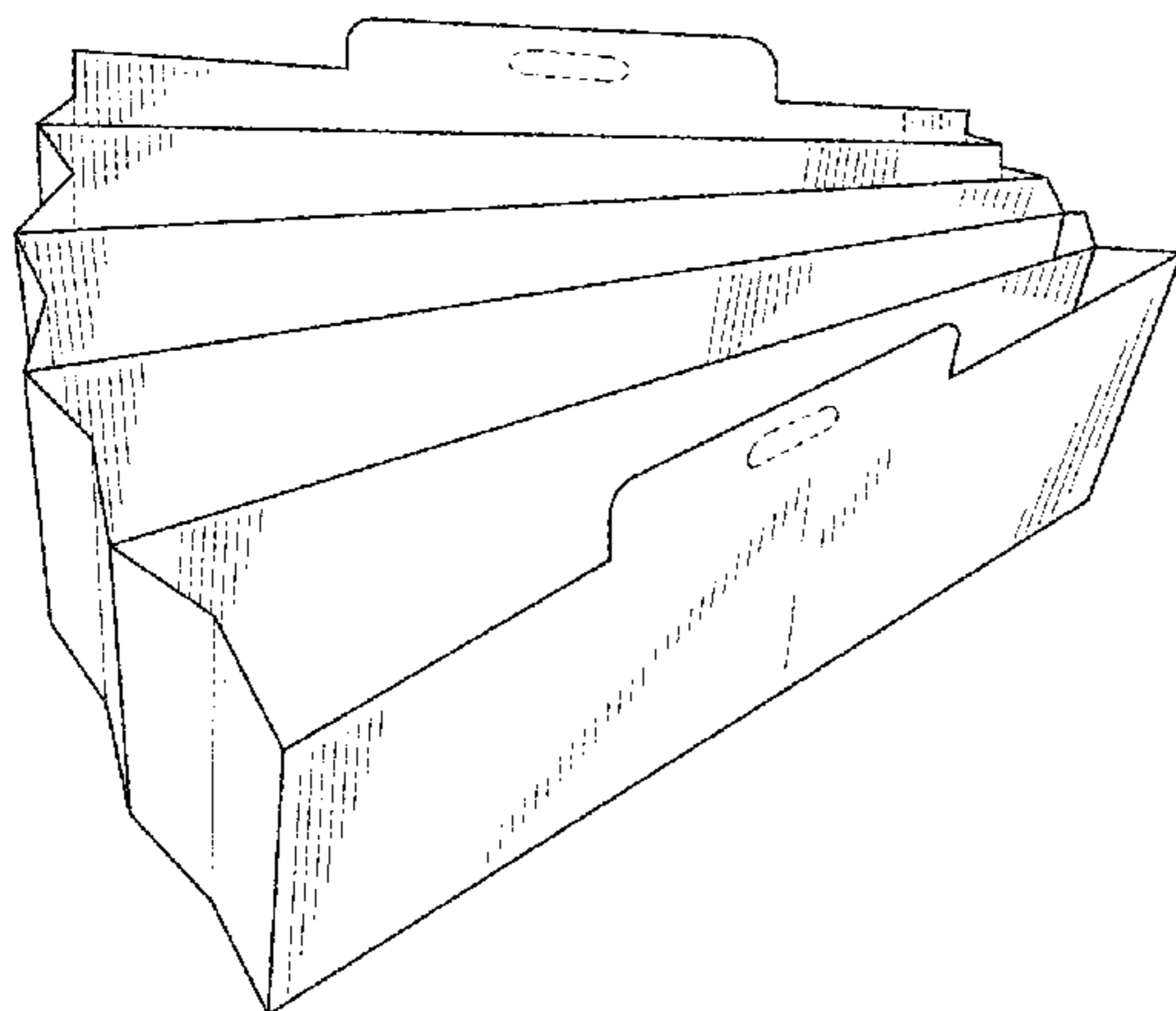
(57) **CLAIM**

I claim ornamental design for an organizer, as shown and described.

**DESCRIPTION**

FIG. 1 is a top perspective view of an organizer in an open configuration according to the present invention;  
 FIG. 2 is a front perspective view of the organizer of FIG. 1 in the open configuration;  
 FIG. 3 is a left-side view of the organizer of FIG. 1;  
 FIG. 4 is a right-side view of the organizer of FIG. 1;  
 FIG. 5 is a top view of the organizer of FIG. 1 in the open configuration;  
 FIG. 6 is a rear view of the organizer of FIG. 1 in the open configuration;  
 FIG. 7 is a front view of the organizer of FIG. 1 in the open configuration;  
 FIG. 8 is a perspective view of the organizer of FIG. 1 in a closed configuration; and,  
 FIG. 9 is a bottom plan view of the organizer of FIG. 1 in the open configuration.  
 The broken line showing is included for the purpose of illustrating portions of the organizer that form no part of the claimed design.

**1 Claim, 9 Drawing Sheets**



(56)

**References Cited**

U.S. PATENT DOCUMENTS

6,419,083	B1 *	7/2002	Huang	.....	G11B 33/0444	206/308.1
2012/0074212	A1 *	3/2012	Ong	.....	B42F 7/08	229/67.3
2012/0125984	A1 *	5/2012	Tseng	.....	B42F 7/08	229/67.3
2015/0159979	A1 *	6/2015	Berringer	.....	F41H 5/08	229/67.3

\* cited by examiner

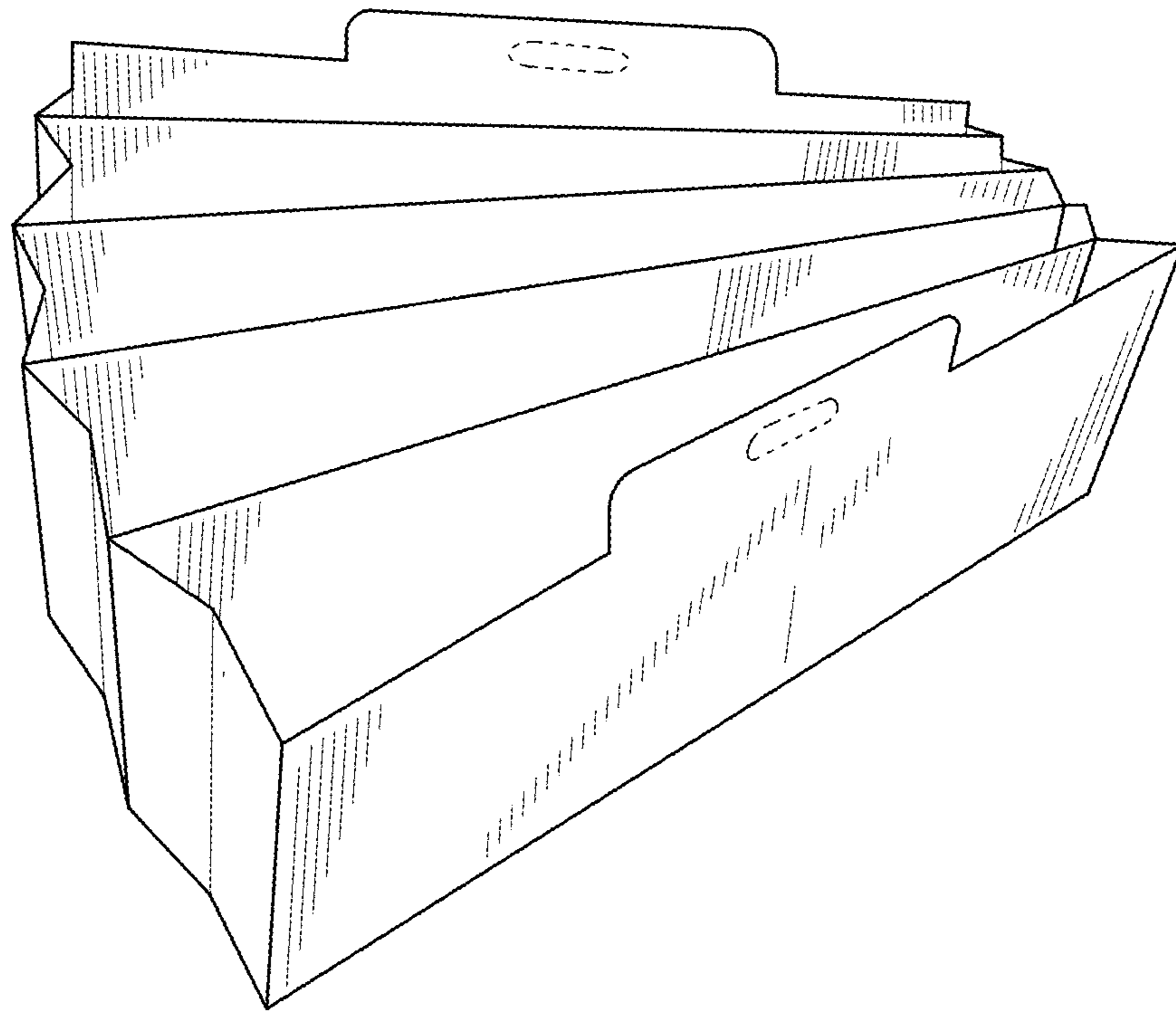


FIG. 1

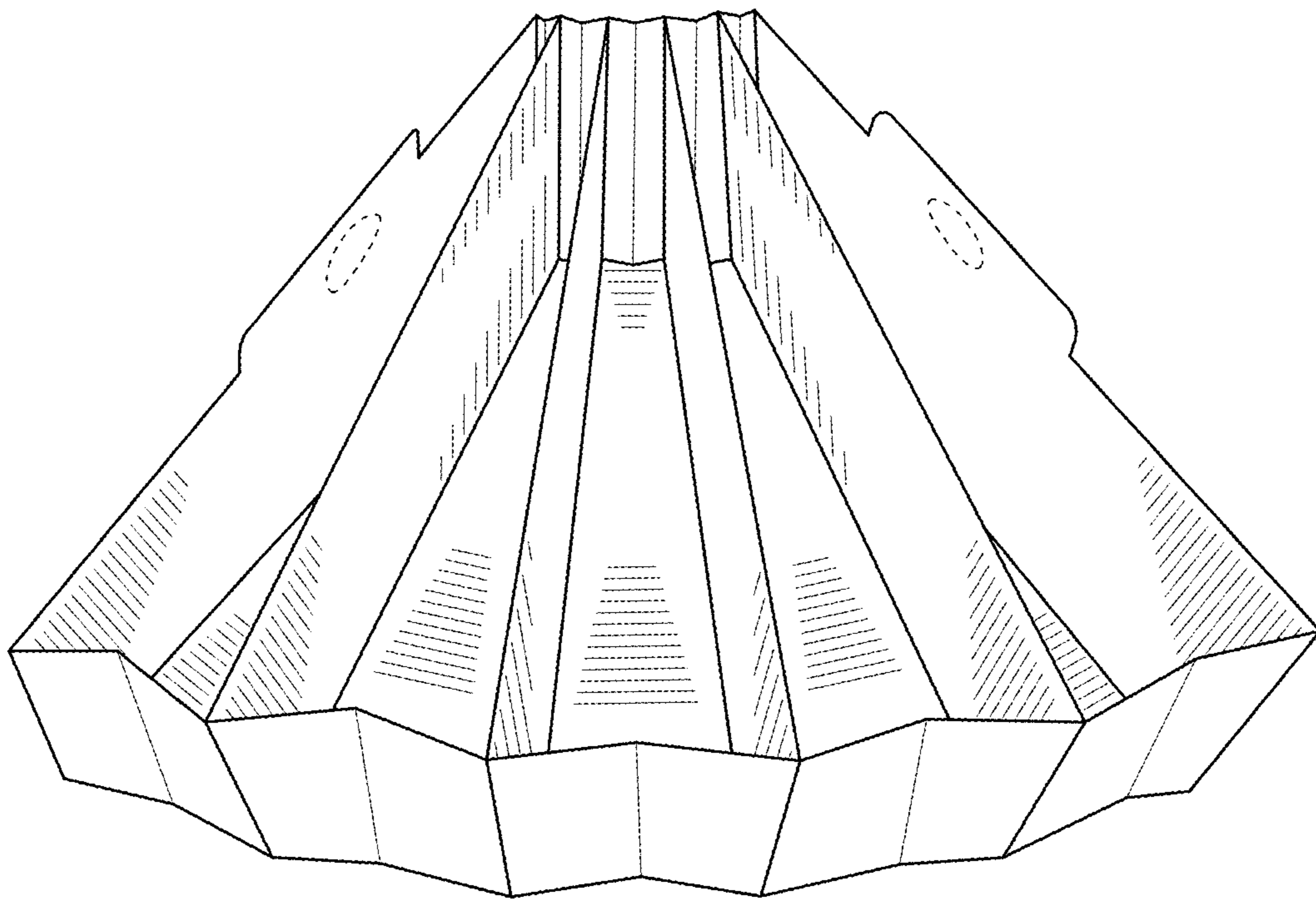


FIG. 2

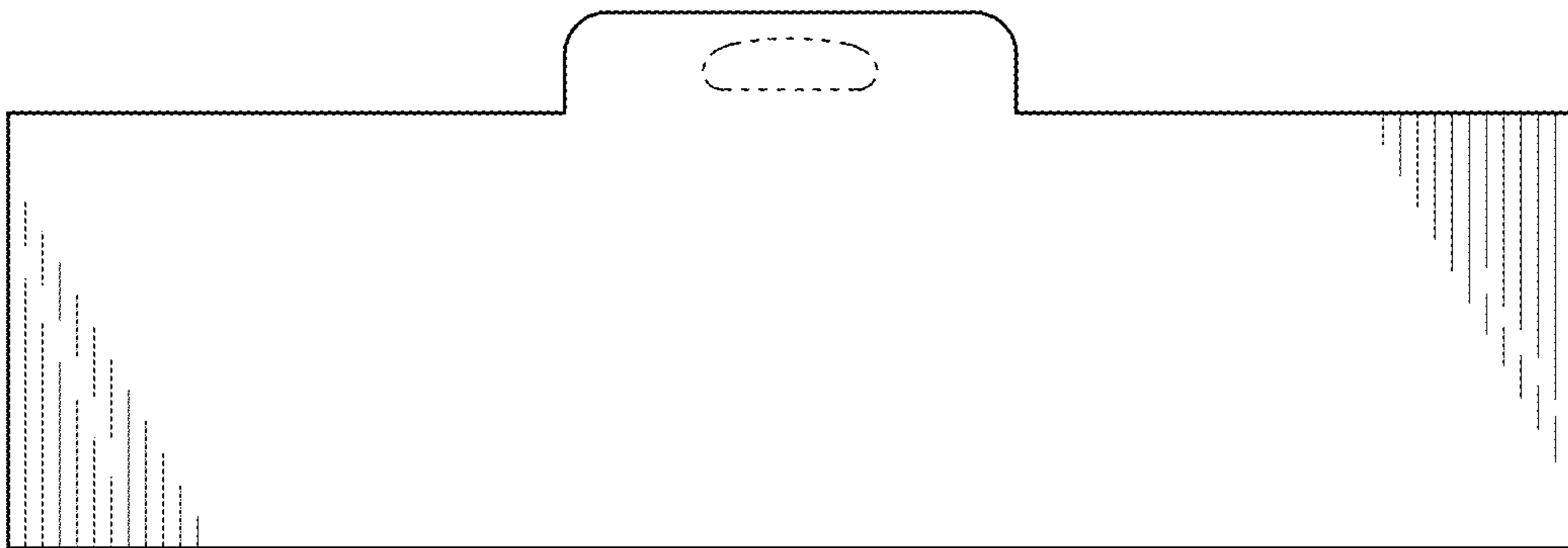


FIG. 3

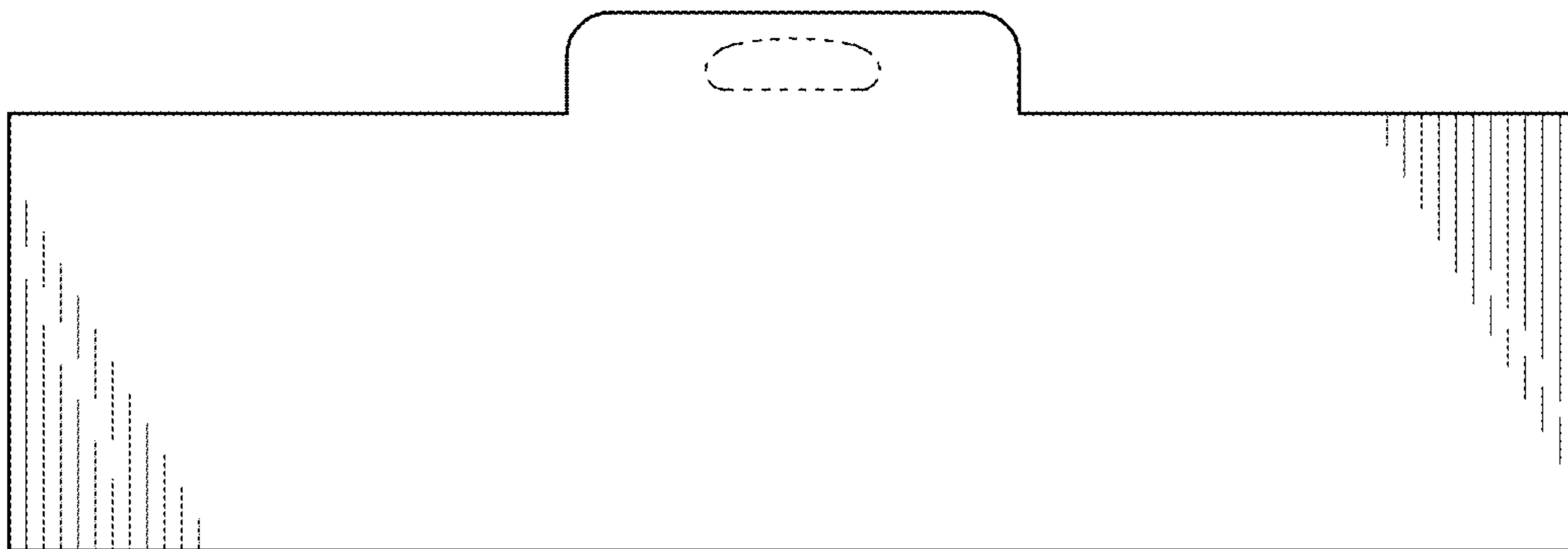


FIG. 4

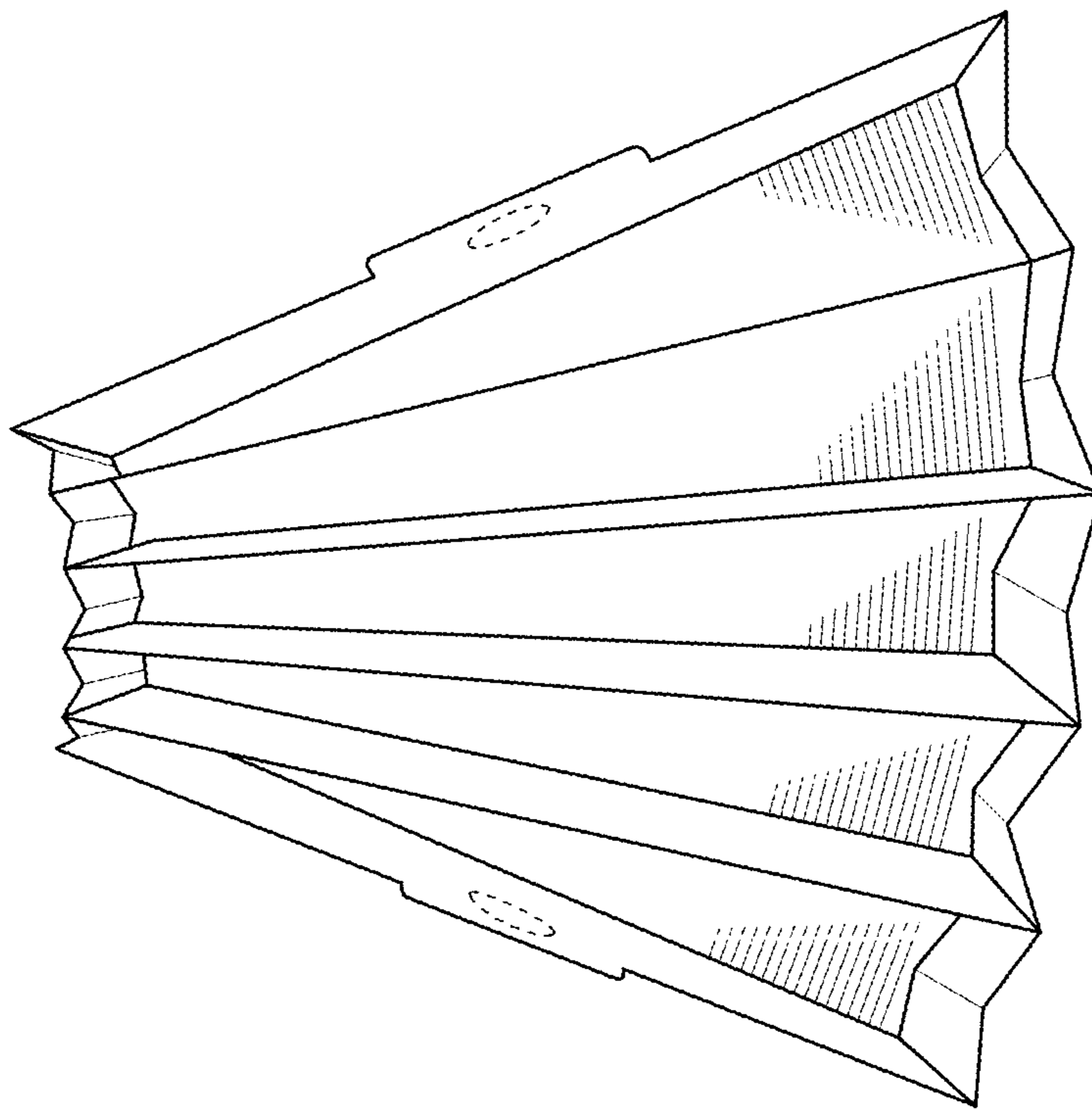


FIG. 5

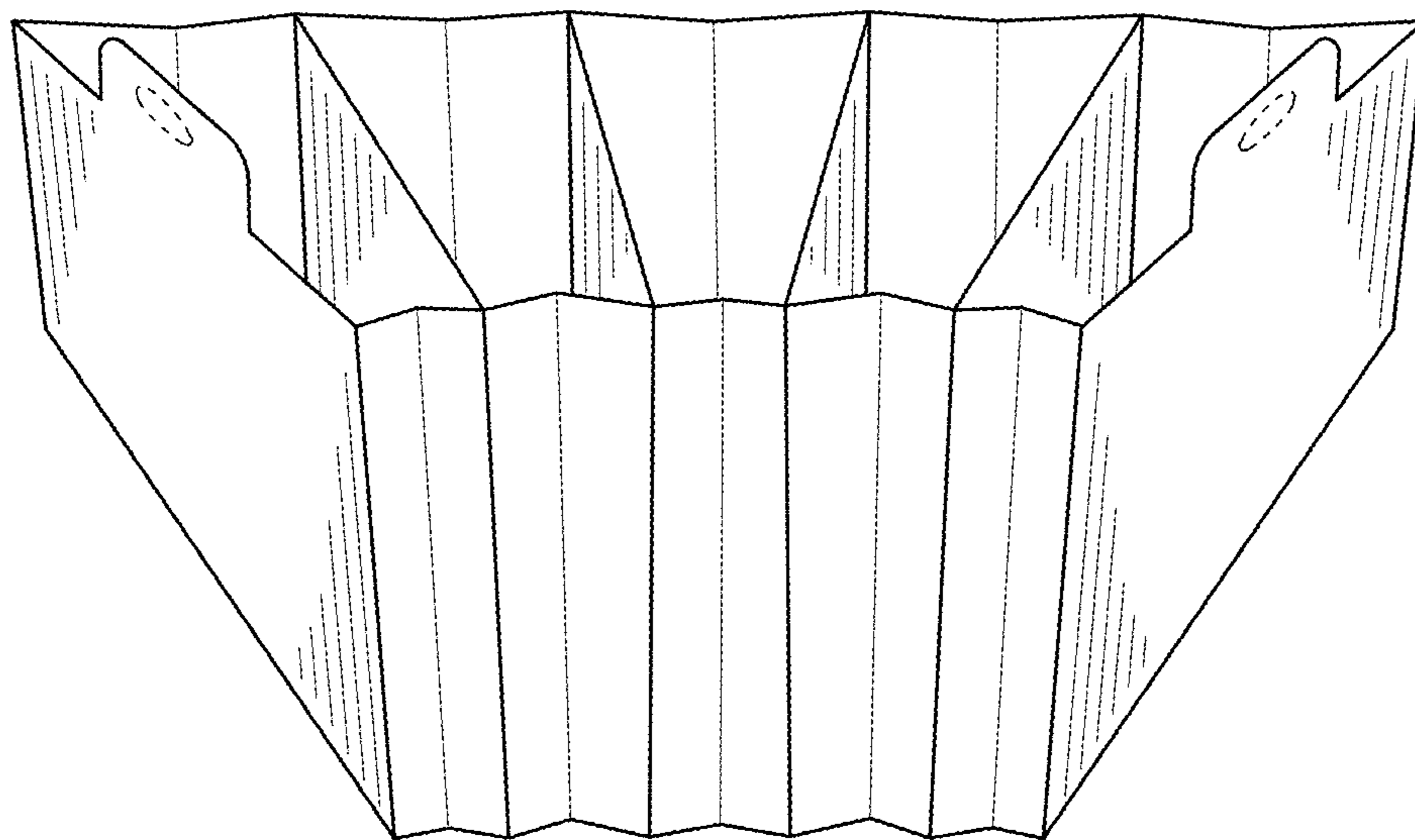


FIG. 6



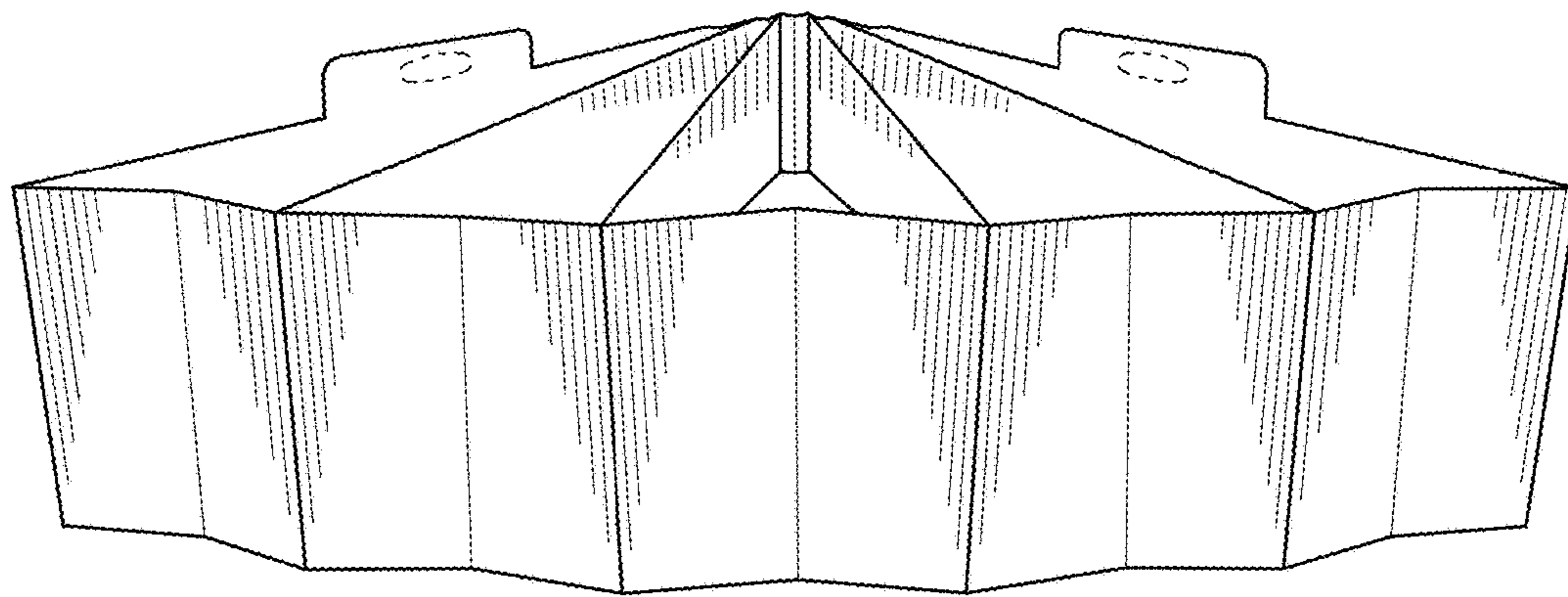


FIG. 7

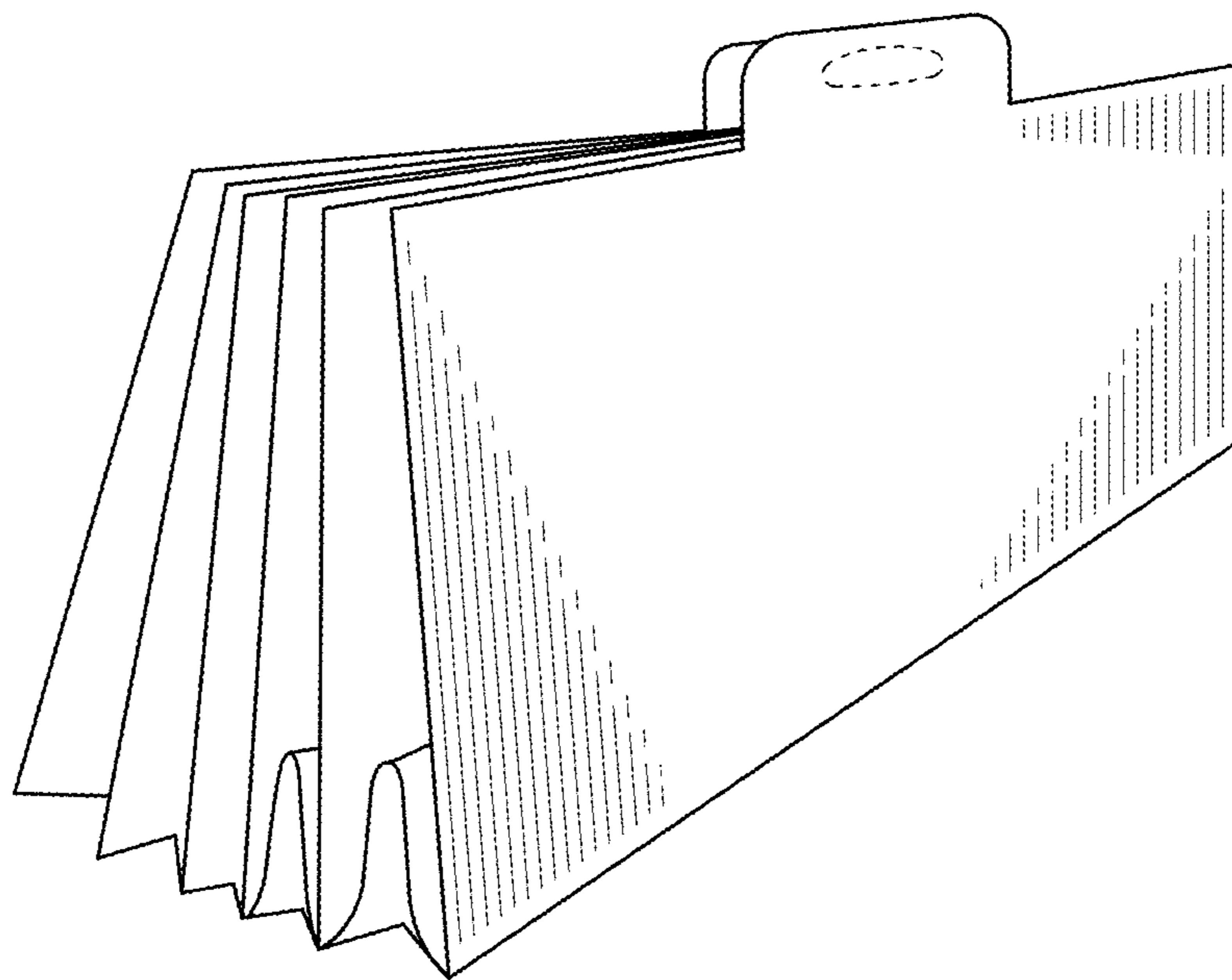


FIG. 8

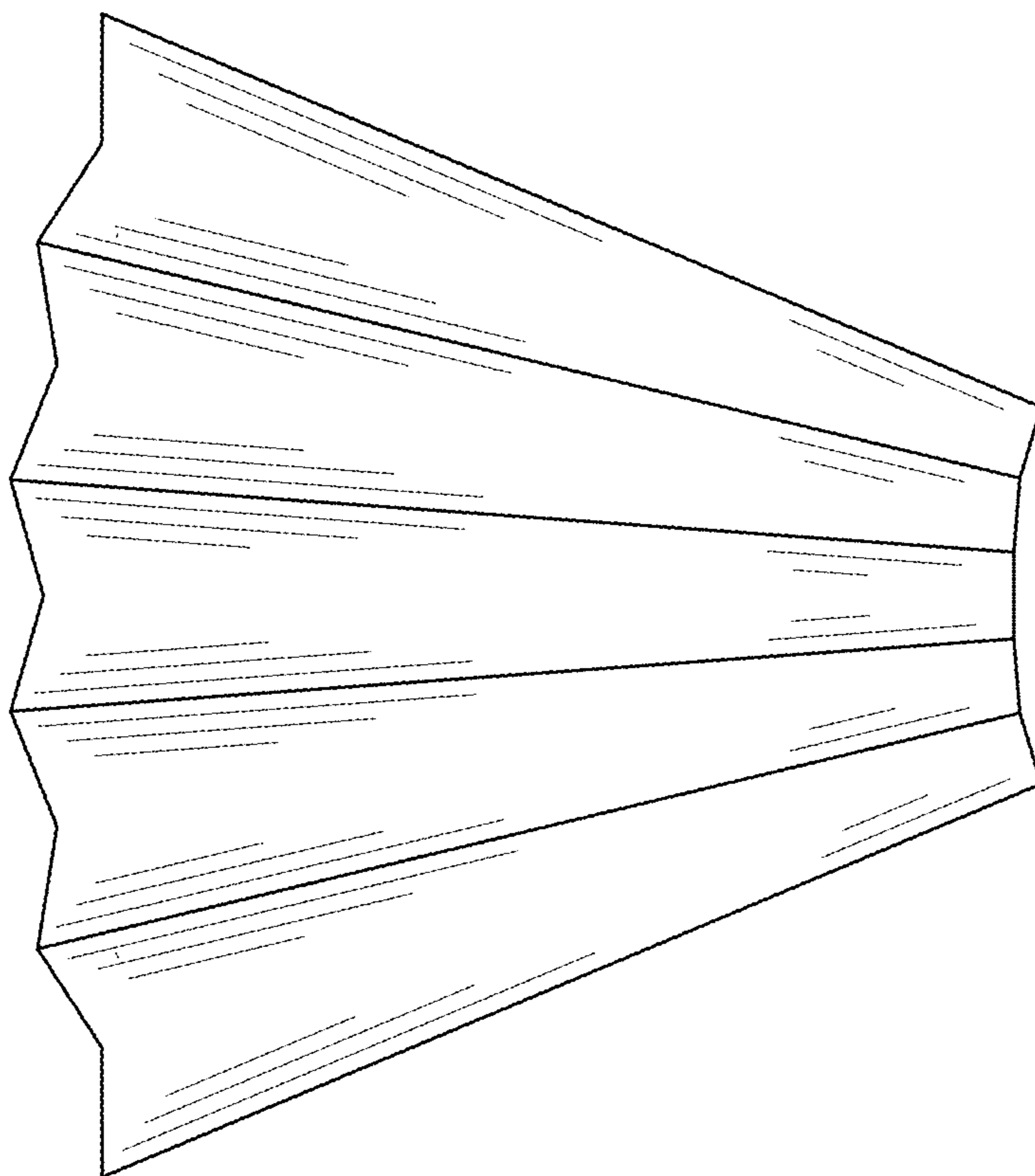


FIG. 9