



US00D839344S

(12) **United States Design Patent**
Song

(10) **Patent No.:** **US D839,344 S**
(45) **Date of Patent:** **** Jan. 29, 2019**

(54) **GLUE PEN**

(71) Applicant: **Huzhou Longtong Chemical Co., Ltd., Zhejiang (CN)**

(72) Inventor: **Zhiguo Song, Zhejiang (CN)**

(**) Term: **15 Years**

(21) Appl. No.: **29/591,869**

(22) Filed: **Jan. 24, 2017**

(51) **LOC (11) Cl.** **19-99**

(52) **U.S. Cl.**
USPC **D19/66**

(58) **Field of Classification Search**
USPC D19/196, 187, 179, 177, 176, 175, 173,
D19/169, 153, 117, 113, 164, 66, 166,
D19/901, 917, 130; D26/37; D3/209
CPC B43K 24/03; B43K 23/12; B43K 23/001;
G09B 5/04; G06F 3/03545; B05C
17/0053; B05C 17/00546

See application file for complete search history.

(56) **References Cited**

U.S. PATENT DOCUMENTS

D231,434 S *	4/1974	Kato	D19/66
D286,163 S *	10/1986	Shintani	D19/117
D295,878 S *	5/1988	Lovell	401/34
D463,495 S *	9/2002	Sasada	D19/66
D584,355 S *	1/2009	Hidaka	D14/411
D608,827 S *	1/2010	Hung	D19/163
D716,984 S *	11/2014	Inskeep	D26/49
D725,302 S *	3/2015	Popper	D26/49
D750,305 S *	2/2016	Sheikh	D26/38

FOREIGN PATENT DOCUMENTS

CN	303979516	*	12/2016
CN	304188622	*	1/2017
CN	304306372	*	5/2017

OTHER PUBLICATIONS

Flashlight Penposted by Plinrise posted date Jan. 6, 2015, © Amazon, [online], [site visited Feb. 26, 2018]. Available from Internet, https://www.amazon.com/Plinrise-Flashlight-Ballpoint-Double-Funtion/dp/B00RVTYQTY/ref=sr_1_4?s=office-products&ie=UTF8&qid=1519684006&sr=1-4&keywords=flashlight+pen (Year: 2015).*

Glue light Pen posted by Visbella posted date unknown, © Amazon, [online], [site visited Feb. 26, 2018]. Available from Internet https://www.amazon.com/Visbella-UQ0004CR5P-Plastic-Adhesive-Anything/dp/B0744L3G9Q/ref=sr_1_1?ie=UTF8&qid=1519755916&sr=8-1&keywords=Visbella (Year: 2018).*

* cited by examiner

Primary Examiner — Cynthia Ramirez

Assistant Examiner — Laura H Yu

(74) *Attorney, Agent, or Firm* — Prakash Nama; Global IP Services, PLLC

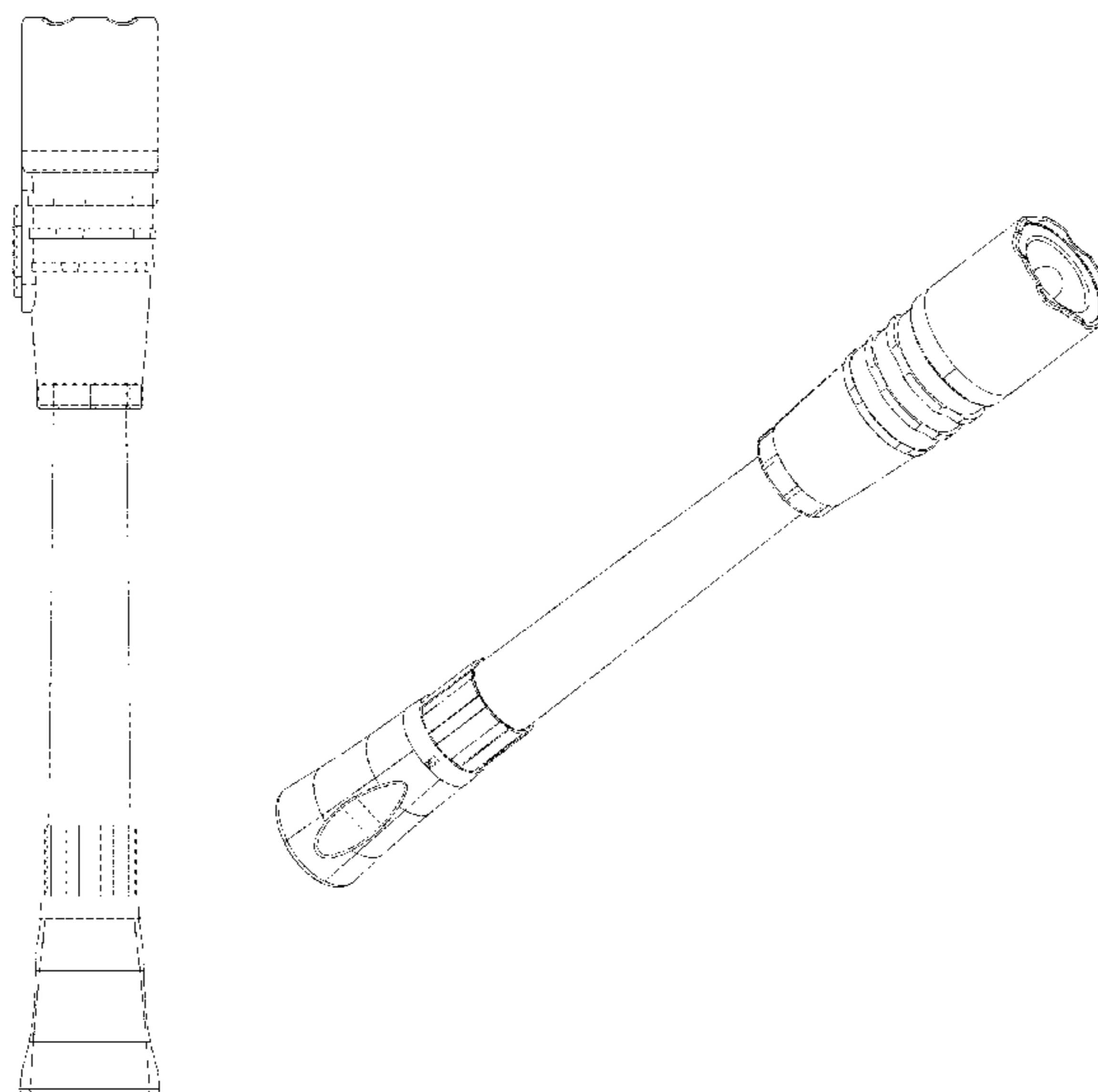
(57) **CLAIM**

I claim the ornamental design for a glue pen, as shown and described.

DESCRIPTION

FIG. 1 is a front elevational view of a glue pen showing my new design;
FIG. 2 is a rear elevational view thereof;
FIG. 3 is a left side view thereof;
FIG. 4 is a right side view thereof;
FIG. 5 is a top plan view in enlarged scale thereof;
FIG. 6 is a bottom plan view in enlarged scale thereof; and,
FIG. 7 is a perspective view thereof.
The broken lines illustrate portions of the glue pen that form no part of the claimed design.

1 Claim, 7 Drawing Sheets



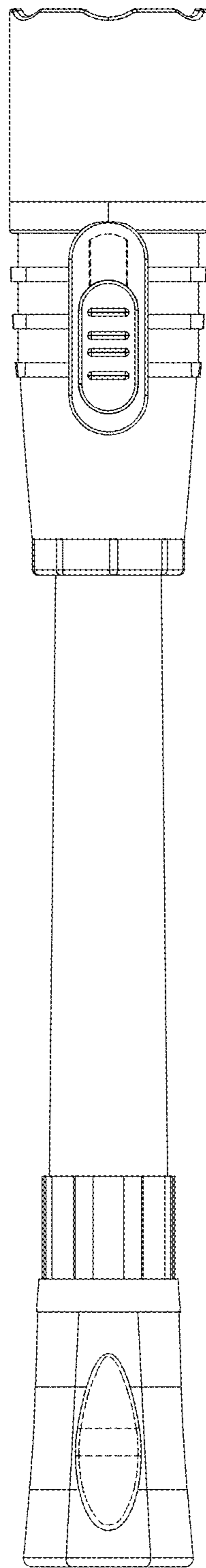


Fig. 1

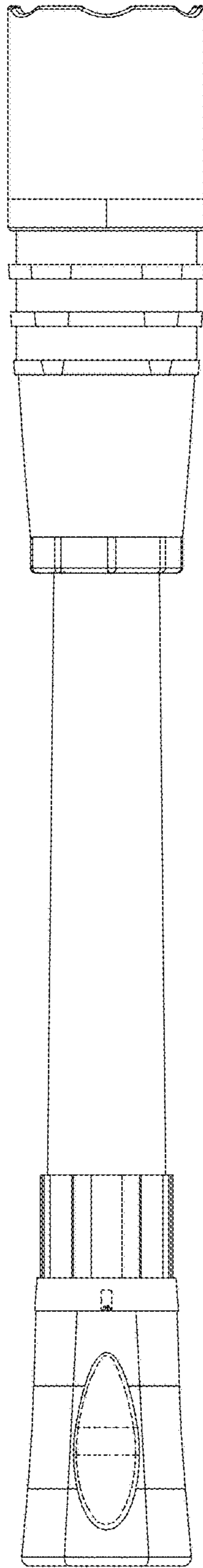


Fig. 2

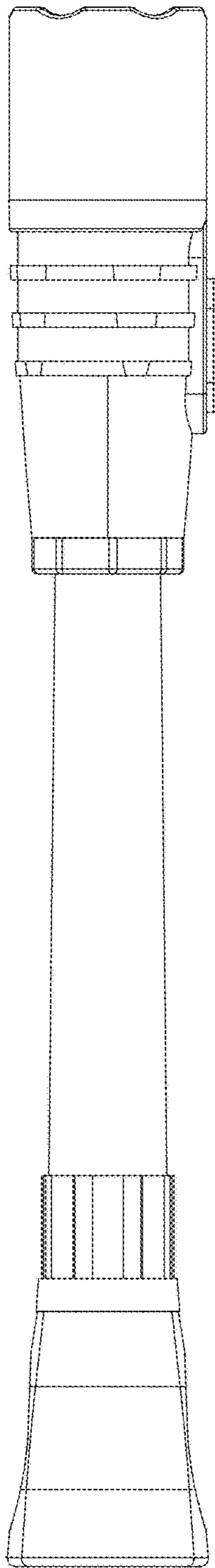


Fig. 3

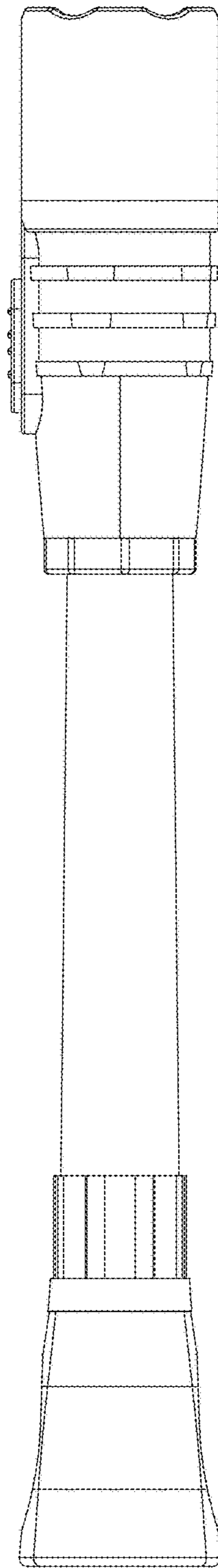


Fig. 4

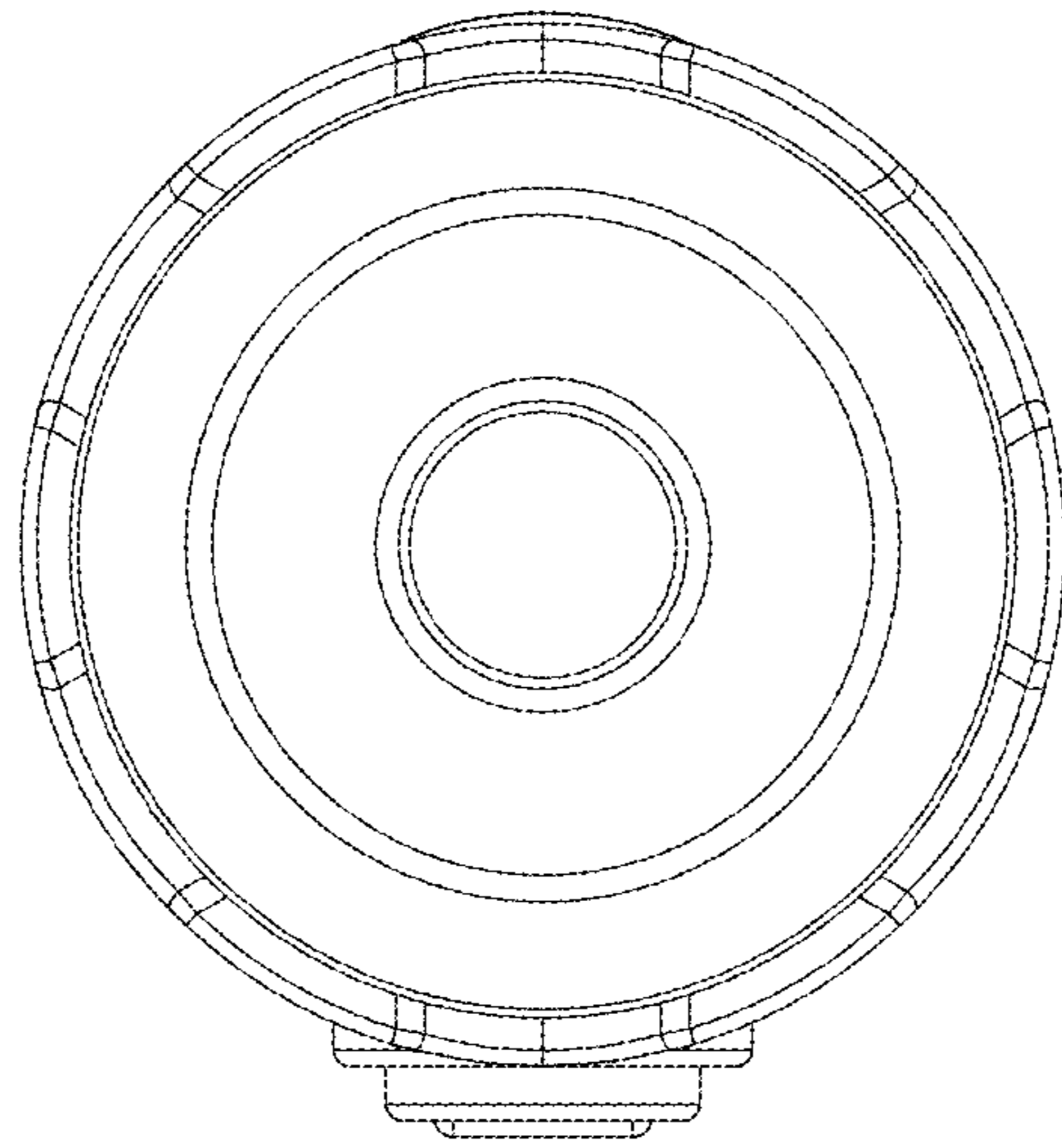


Fig. 5

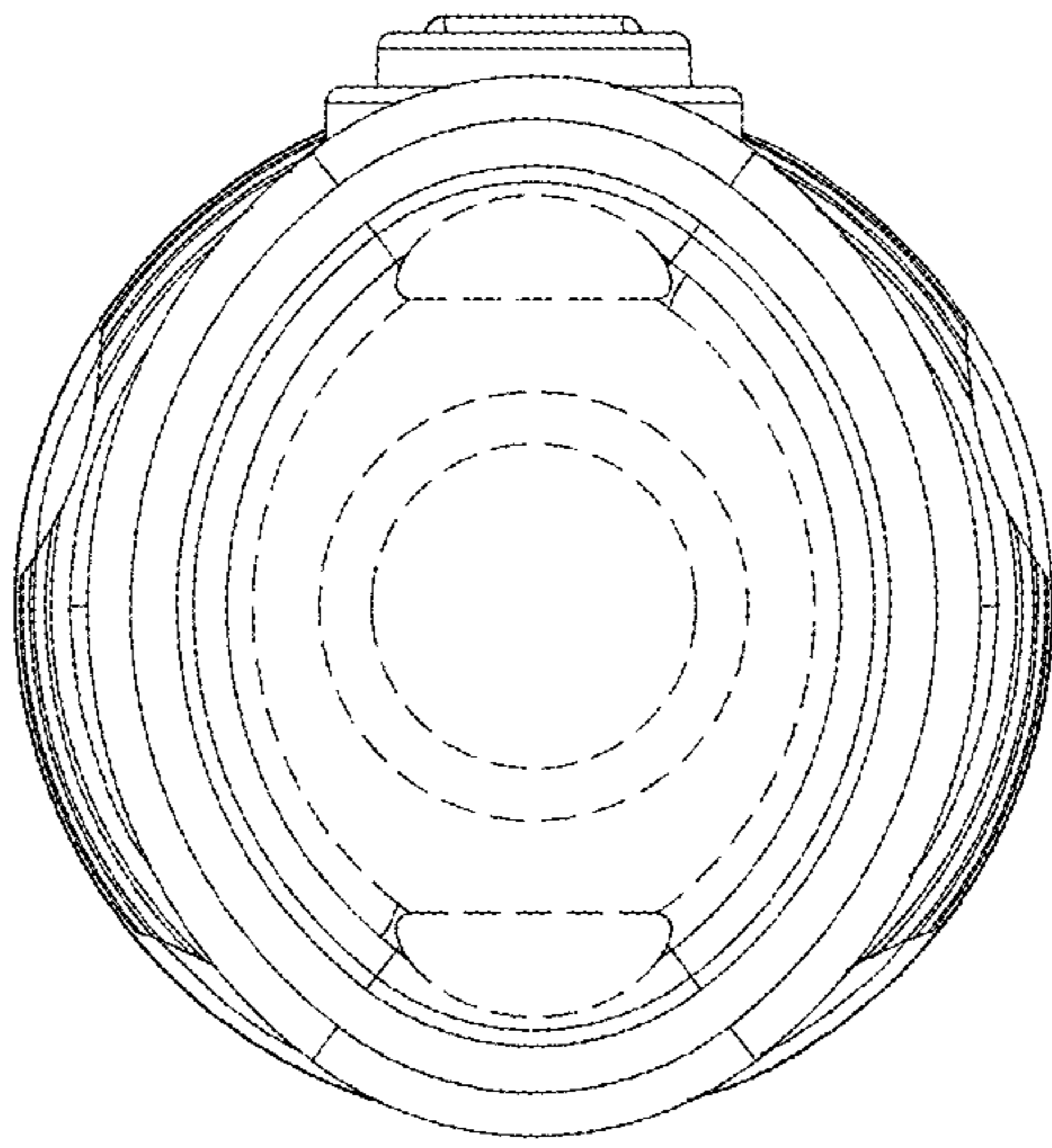


Fig. 6

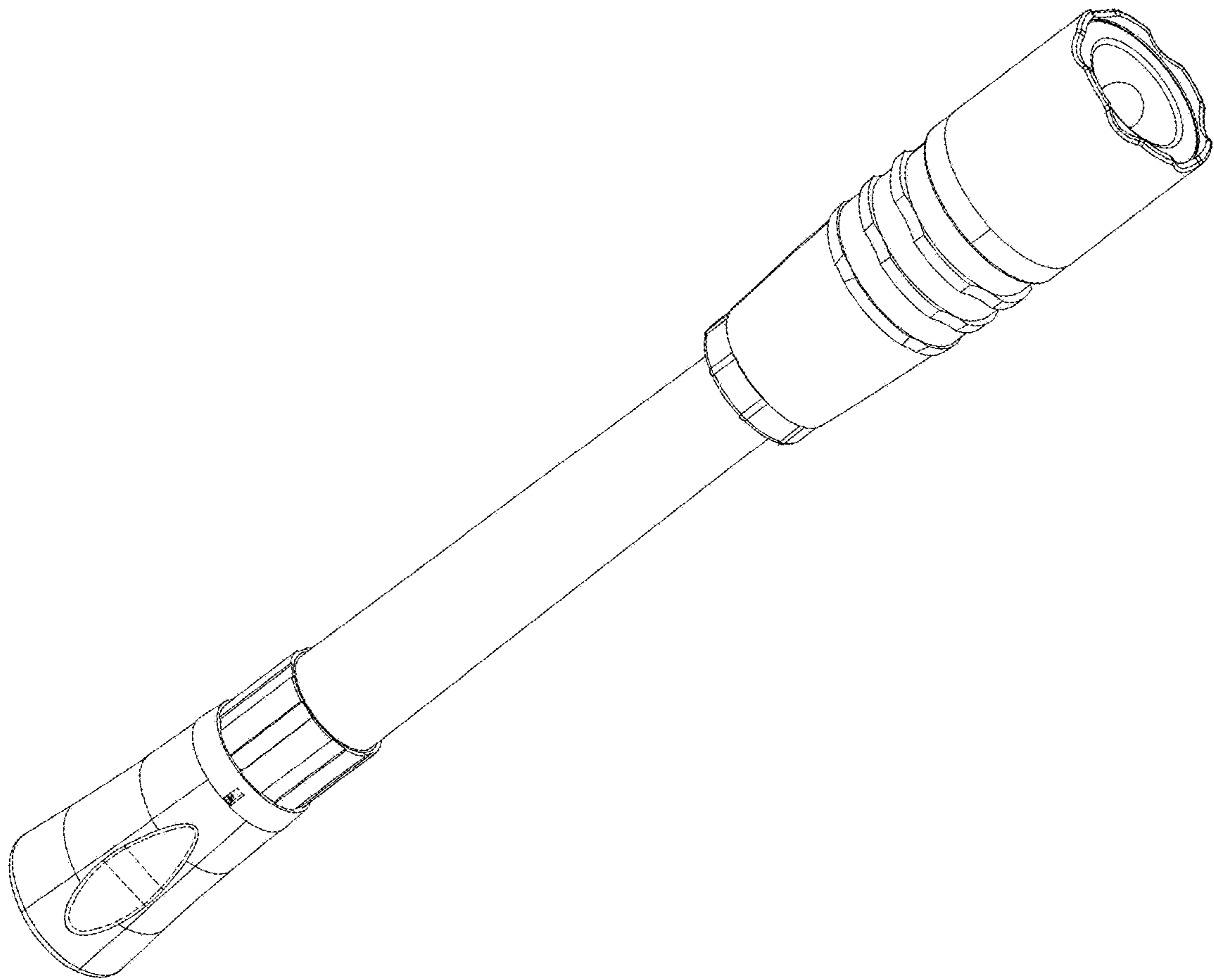


Fig. 7