



US00D839342S

(12) **United States Design Patent** (10) **Patent No.:** **US D839,342 S**
Higuchi et al. (45) **Date of Patent:** **** Jan. 29, 2019**

(54) **PRINTER**

- (71) Applicant: **SEIKO EPSON CORPORATION**,
Tokyo (JP)
- (72) Inventors: **Tomoyuki Higuchi**, Shiojiri (JP); **Koji Kawai**, Shiojiri (JP); **Hideki Kato**,
Matsumoto (JP); **Matt Delegate**,
London (GB); **Kazunori Takabayashi**,
Okaya (JP)
- (73) Assignee: **SEIKO EPSON CORPORATION**,
Tokyo (JP)
- (**) Term: **15 Years**
- (21) Appl. No.: **29/655,382**
- (22) Filed: **Jul. 3, 2018**

Related U.S. Application Data

- (62) Division of application No. 29/605,646, filed on May 29, 2017.

(30) **Foreign Application Priority Data**

Nov. 30, 2016 (JP) 2016-025934
 Nov. 30, 2016 (JP) 2016-025935
 Feb. 7, 2017 (JP) 2017-002126

- (51) **LOC (11) Cl.** **14-02**
 (52) **U.S. Cl.**
 USPC **D18/50**

(58) **Field of Classification Search**

USPC D18/50, 36-37, 54.1, 56, 19, 54;
 D14/203.1
 CPC B41J 15/042; B41J 11/58; G60K 15/12
 See application file for complete search history.

(56) **References Cited**

U.S. PATENT DOCUMENTS

D614,234	S	*	4/2010	Ishikawa	D18/55
D678,402	S	*	3/2013	Sato	D18/50
D730,437	S	*	5/2015	Seki	D18/50
D737,895	S	*	9/2015	Nanno	D18/50
D823,940	S	*	7/2018	Himeno	D18/50
D827,705	S	*	9/2018	Gosselin	D18/34.3
2017/0182813	A1	*	6/2017	Suzuki	B41J 2/01
2018/0178567	A1	*	6/2018	Takabayashi	B41J 29/02
2018/0194142	A1	*	7/2018	Tanaka	B41J 2/17566

* cited by examiner

Primary Examiner — Robin V Webster
Assistant Examiner — J. Thorn, Sr.

(57) **CLAIM**

The ornamental design for a printer, as shown and described.

DESCRIPTION

FIG. 1 is a front, top, and right side perspective view of a printer showing our new design;
 FIG. 2 is a rear, top, and left side perspective view thereof;
 FIG. 3 is a front view thereof;
 FIG. 4 is a rear view thereof;
 FIG. 5 is a top plan view thereof;
 FIG. 6 is a bottom plan view thereof;
 FIG. 7 is a right side view thereof; and,
 FIG. 8 is a left side view thereof.

The uniformly-dashed lines illustrate portions of the printer and form no part of the claimed design. The dash-dotted lines denote the boundary of the claim and form no part of the claimed design.

1 Claim, 8 Drawing Sheets

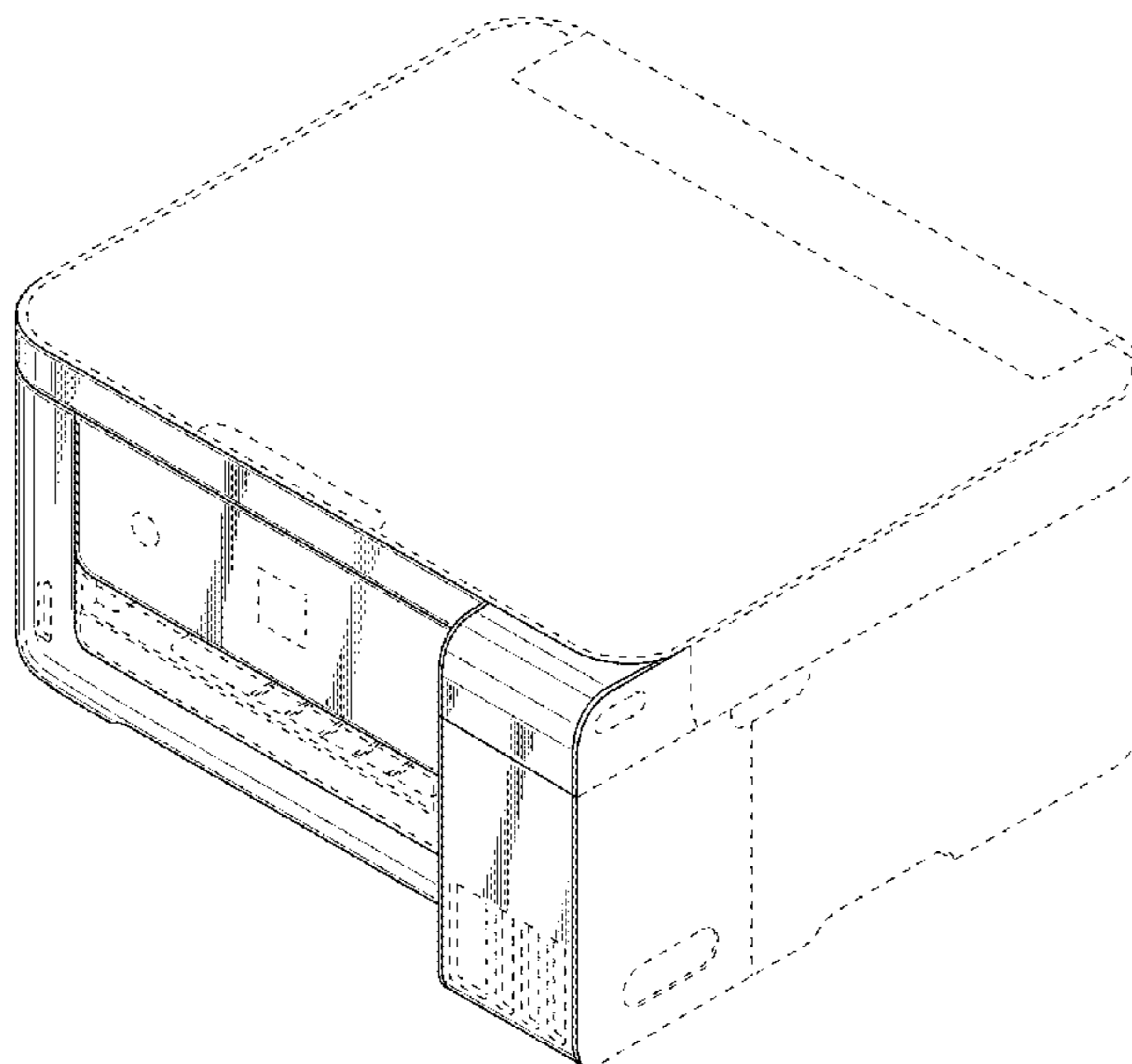


FIG. 1

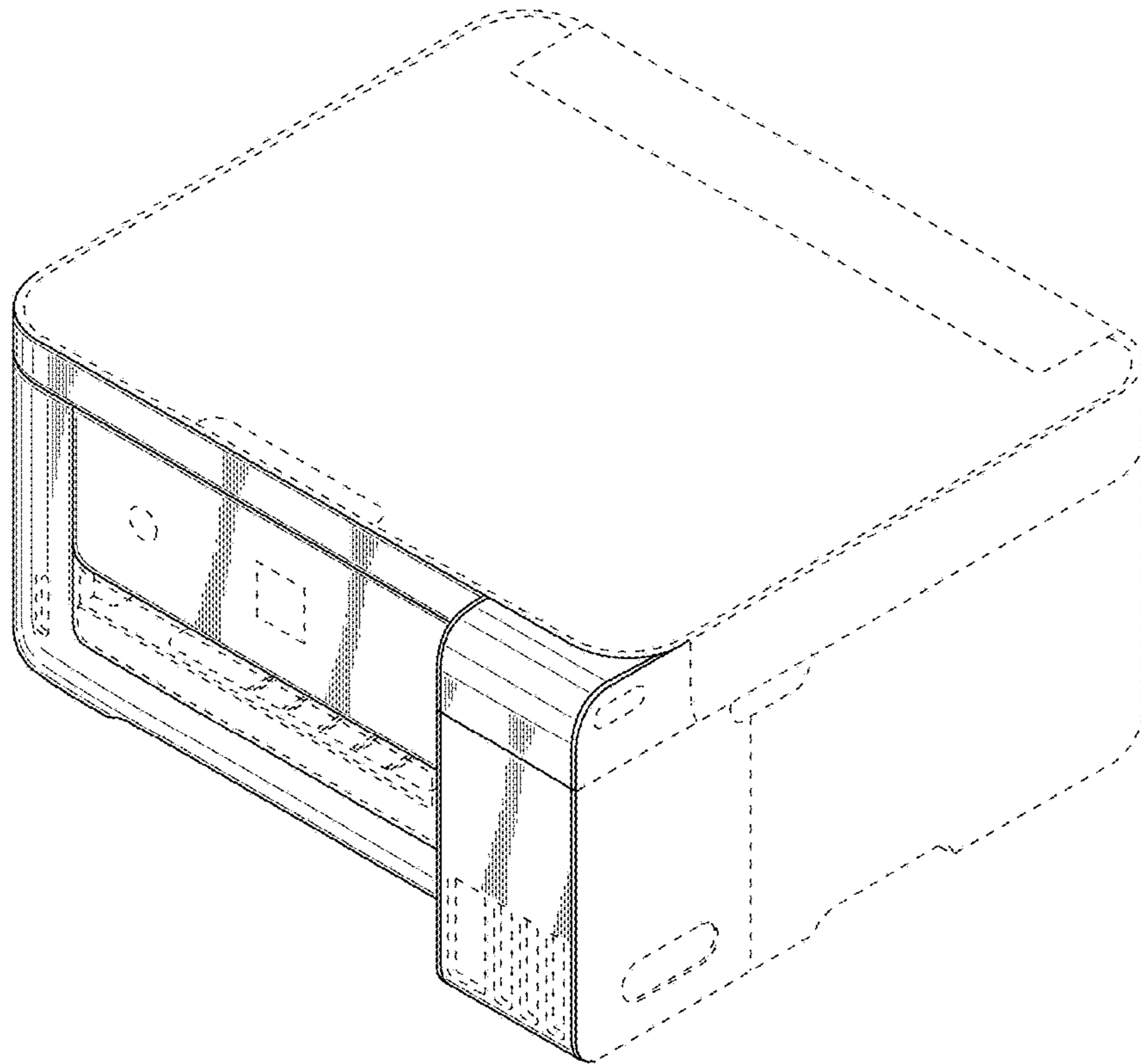


FIG. 2

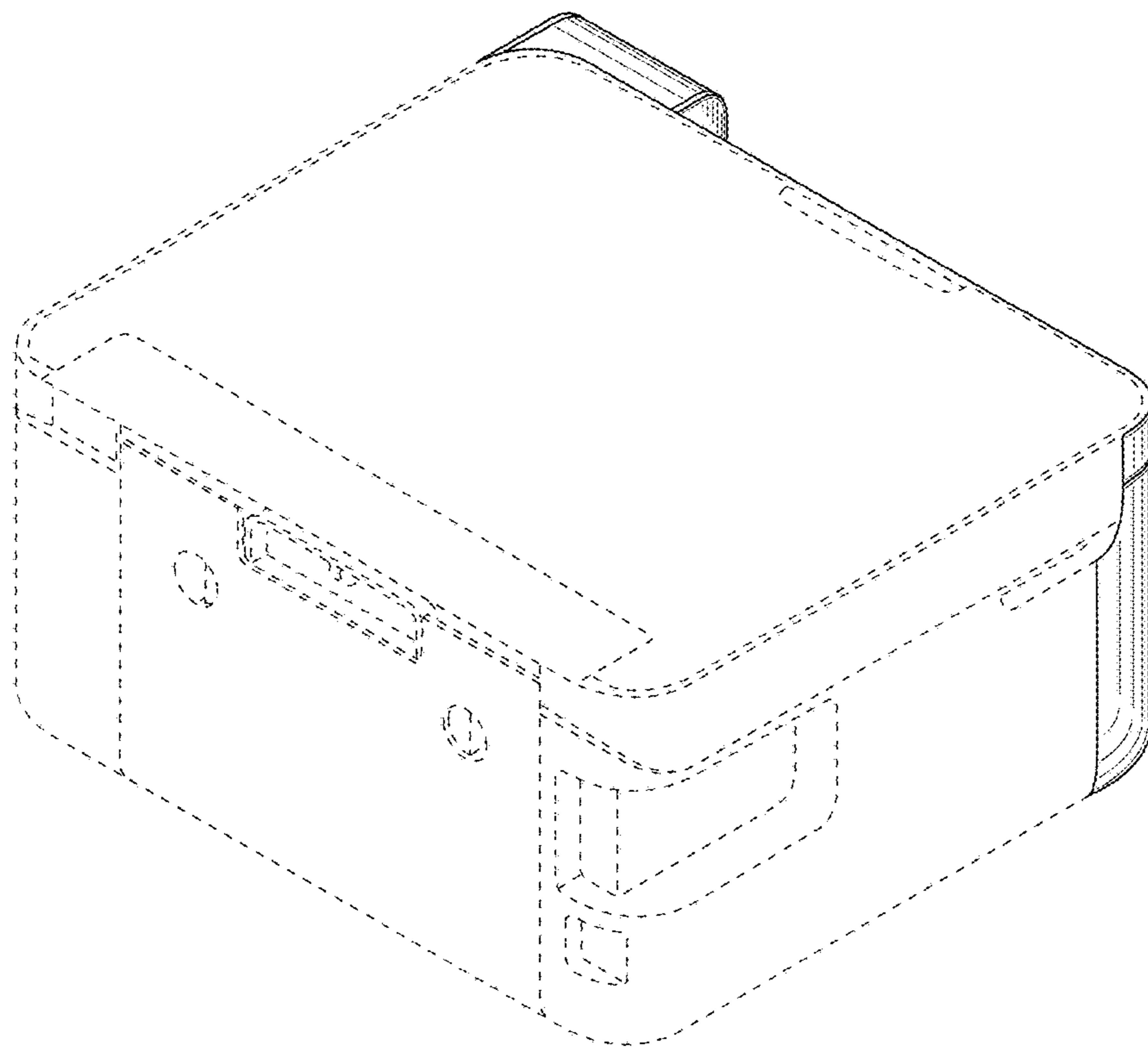


FIG. 3

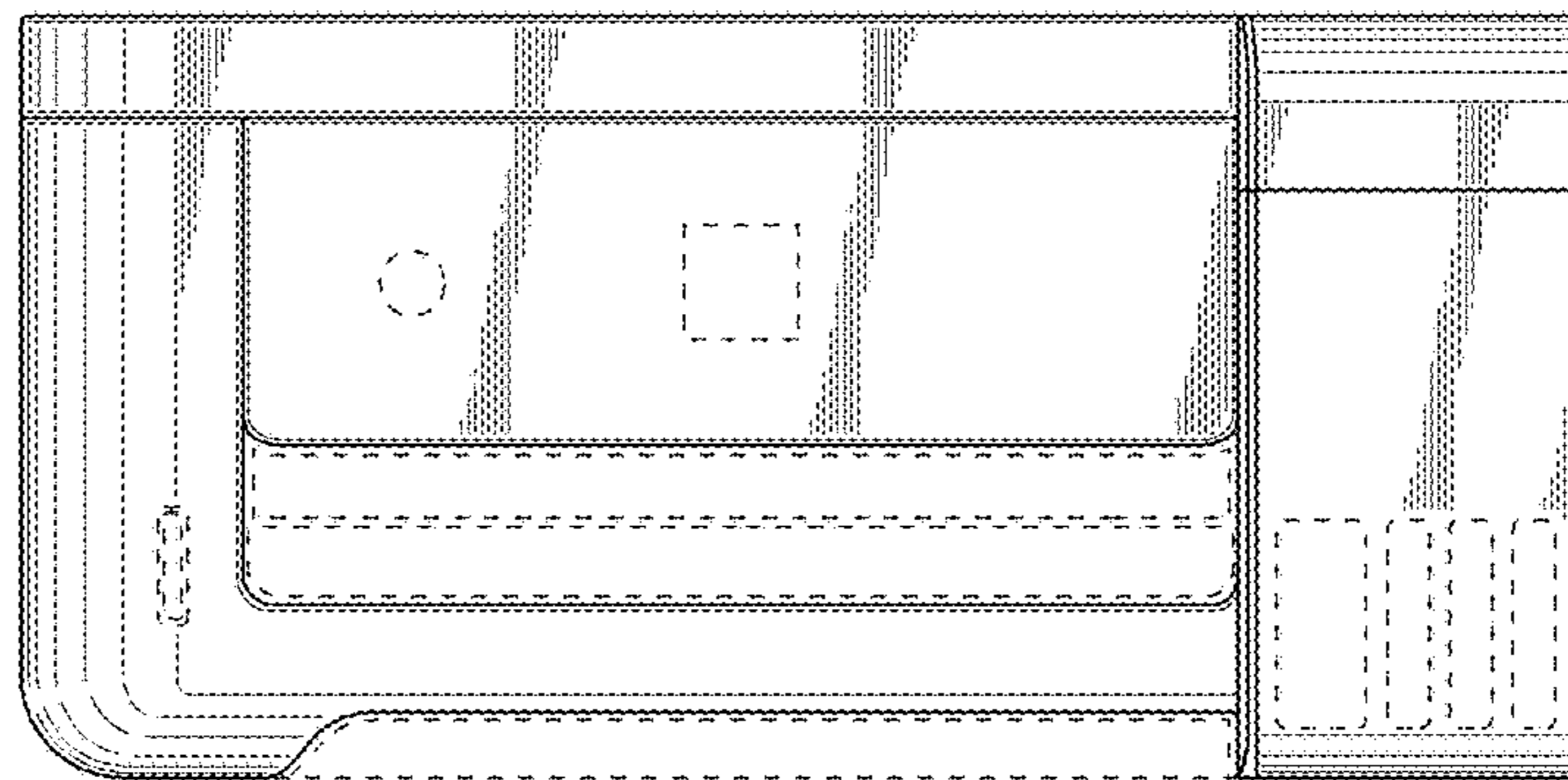


FIG. 4

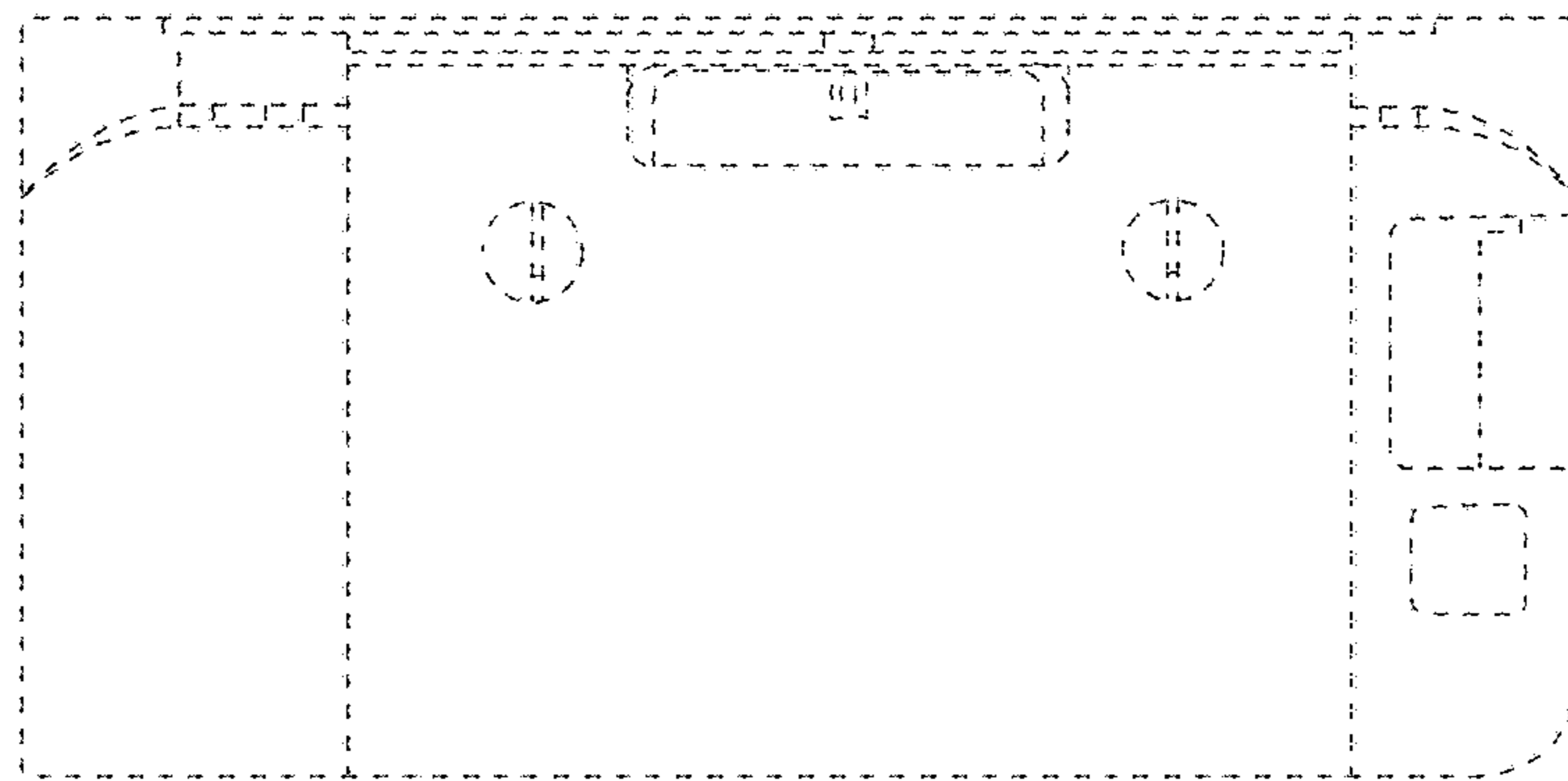


FIG. 5

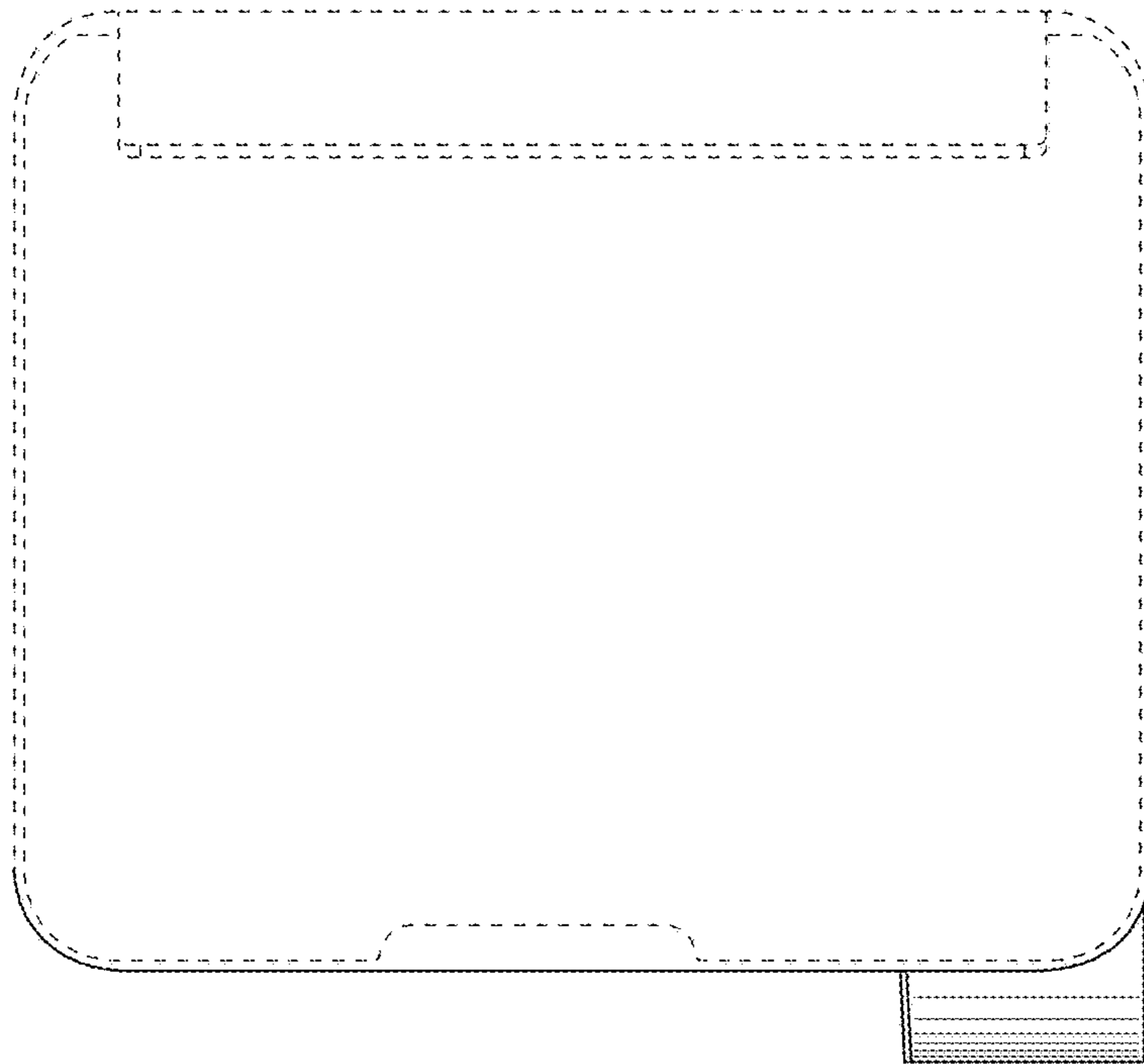


FIG. 6

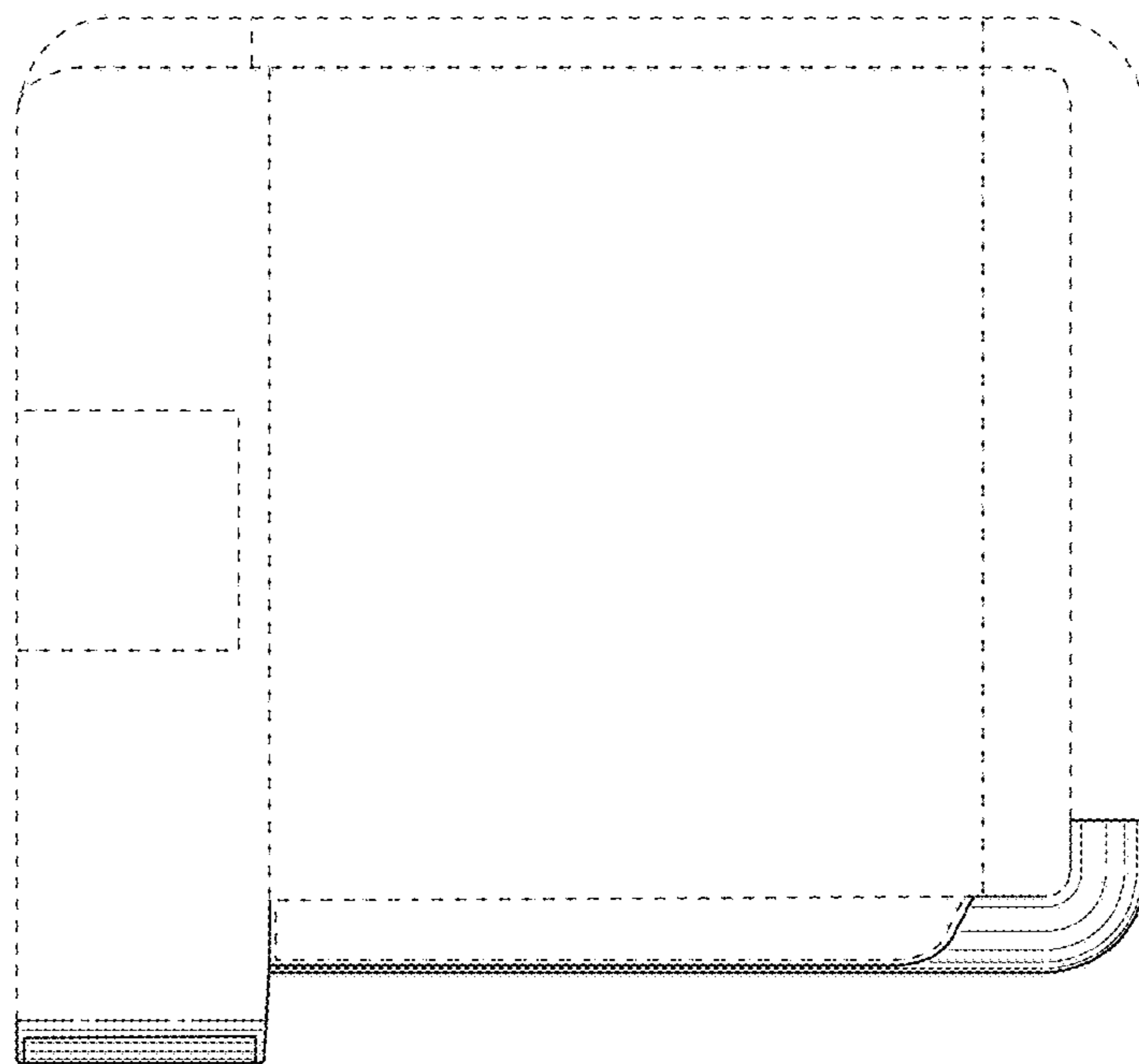


FIG. 7

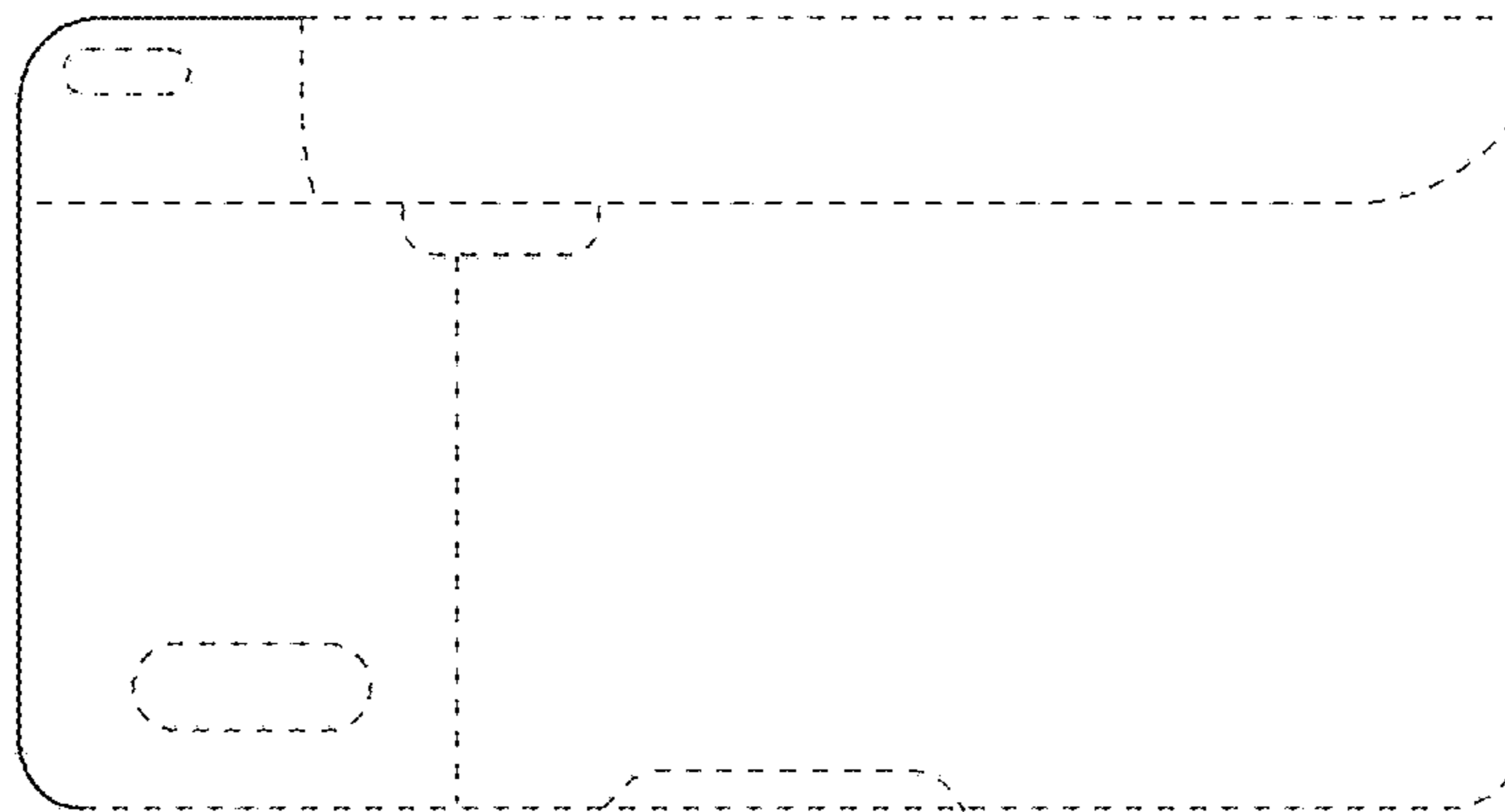


FIG. 8

