



US00D839341S

(12) **United States Design Patent**  
**Kim**

(10) **Patent No.:** **US D839,341 S**

(45) **Date of Patent:** **\*\* Jan. 29, 2019**

(54) **LASER MULTI-FUNCTION PRINTER**

(71) Applicant: **S-Printing Solution Co., Ltd.**,  
Suwon-si (KR)

(72) Inventor: **Min-Chul Kim**, Seoul (KR)

(73) Assignee: **HP PRINTING KOREA CO., LTD.**,  
Suwon-si (KR)

(\*\*) Term: **15 Years**

(21) Appl. No.: **29/604,874**

(22) Filed: **May 22, 2017**

(30) **Foreign Application Priority Data**

Feb. 17, 2017 (KR) ..... 30-2017-0007496

(51) **LOC (11) Cl.** ..... **14-02**

(52) **U.S. Cl.**  
USPC ..... **D18/50**

(58) **Field of Classification Search**

USPC ..... D18/50, 54-55, 36-37; 347/3  
CPC ..... B41J 11/04; B41J 11/0045; B41J 11/4075;  
B41J 11/58; B41J 3/00; B41J 15/00;  
B41J 15/12; B41J 15/042; G06K 15/12;  
G06K 15/14

See application file for complete search history.

(56) **References Cited**

**U.S. PATENT DOCUMENTS**

D386,519 S \* 11/1997 Meschter ..... D18/55  
D405,110 S \* 2/1999 Yamamoto ..... D18/54  
D532,043 S \* 11/2006 Park ..... D18/50  
D535,325 S \* 1/2007 Yamaguchi ..... D18/55  
D633,139 S \* 2/2011 Park ..... D18/55

D647,132 S \* 10/2011 Kim ..... D18/55  
D653,703 S \* 2/2012 Seki ..... D18/55  
D696,717 S \* 12/2013 Kim ..... D18/55  
D724,141 S \* 3/2015 Kim ..... D18/55  
9,221,574 B2 \* 12/2015 Sakaino ..... B65C 11/0289  
D765,772 S \* 9/2016 Clark, III ..... D18/55  
D806,162 S \* 12/2017 Tashima ..... D18/50  
D810,194 S \* 2/2018 Kim ..... D18/50  
D822,760 S \* 7/2018 Xia ..... D18/50

\* cited by examiner

*Primary Examiner* — Robin V Webster

*Assistant Examiner* — J. Thorn, Sr.

(74) *Attorney, Agent, or Firm* — NSIP Law

(57) **CLAIM**

I claim the ornamental design for a laser multi-function printer, as shown and described.

**DESCRIPTION**

FIG. 1 is a front perspective view of a laser multi-function printer showing my new design;  
FIG. 2 is a front elevational view thereof;  
FIG. 3 is a rear elevational view thereof;  
FIG. 4 is a left-side elevational view thereof;  
FIG. 5 is a right-side elevational view thereof;  
FIG. 6 is a top plan view thereof;  
FIG. 7 is a bottom plan view thereof;  
FIG. 8 is another front perspective view of the laser multi-function printer in which the scanner is shown in an alternate configuration; and,  
FIG. 9 is another front perspective view of the laser multi-function printer shown in an example environment.  
The broken lines in the figures depict environmental subject matter and form no part of the claimed design.

**1 Claim, 9 Drawing Sheets**

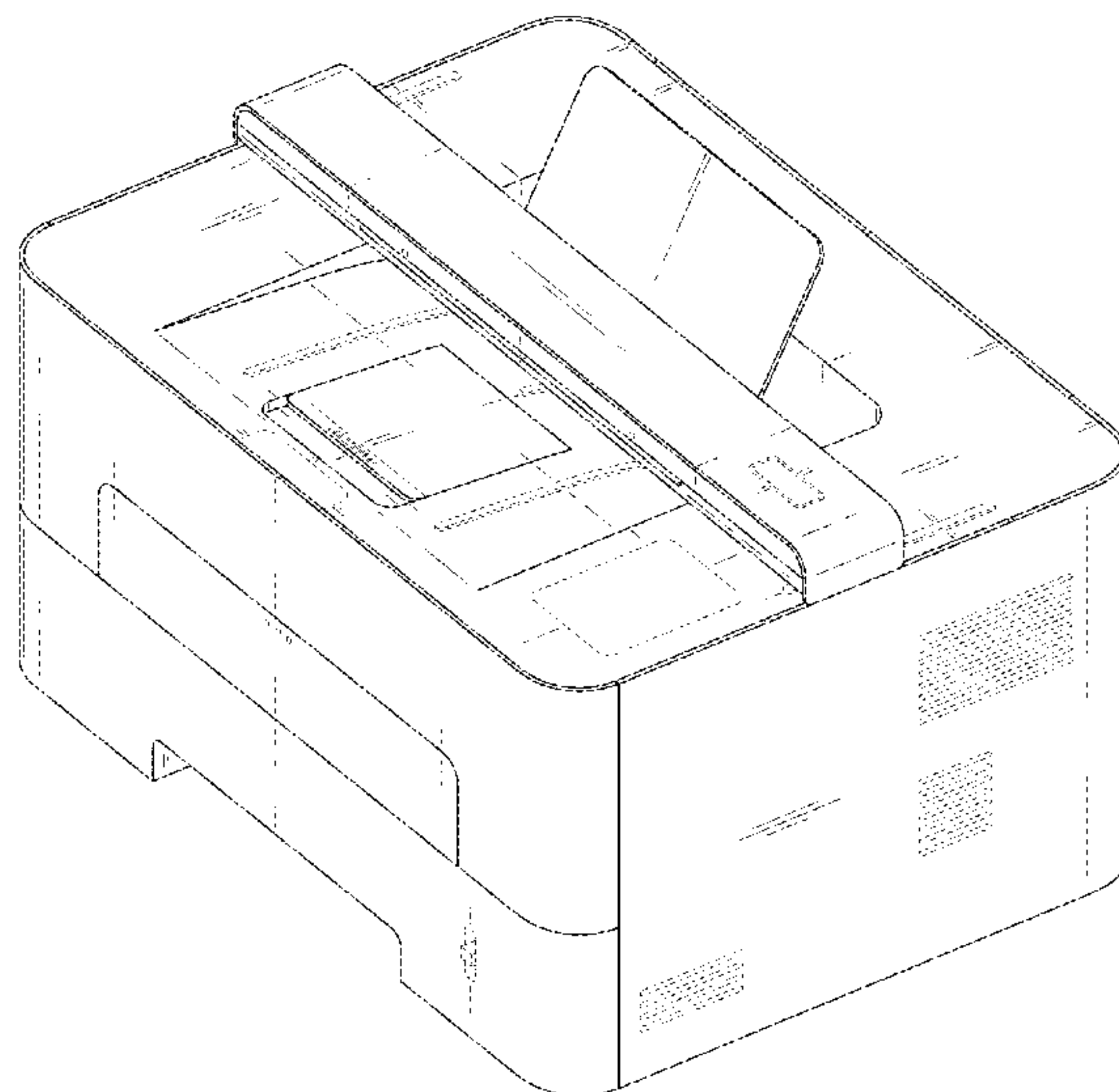
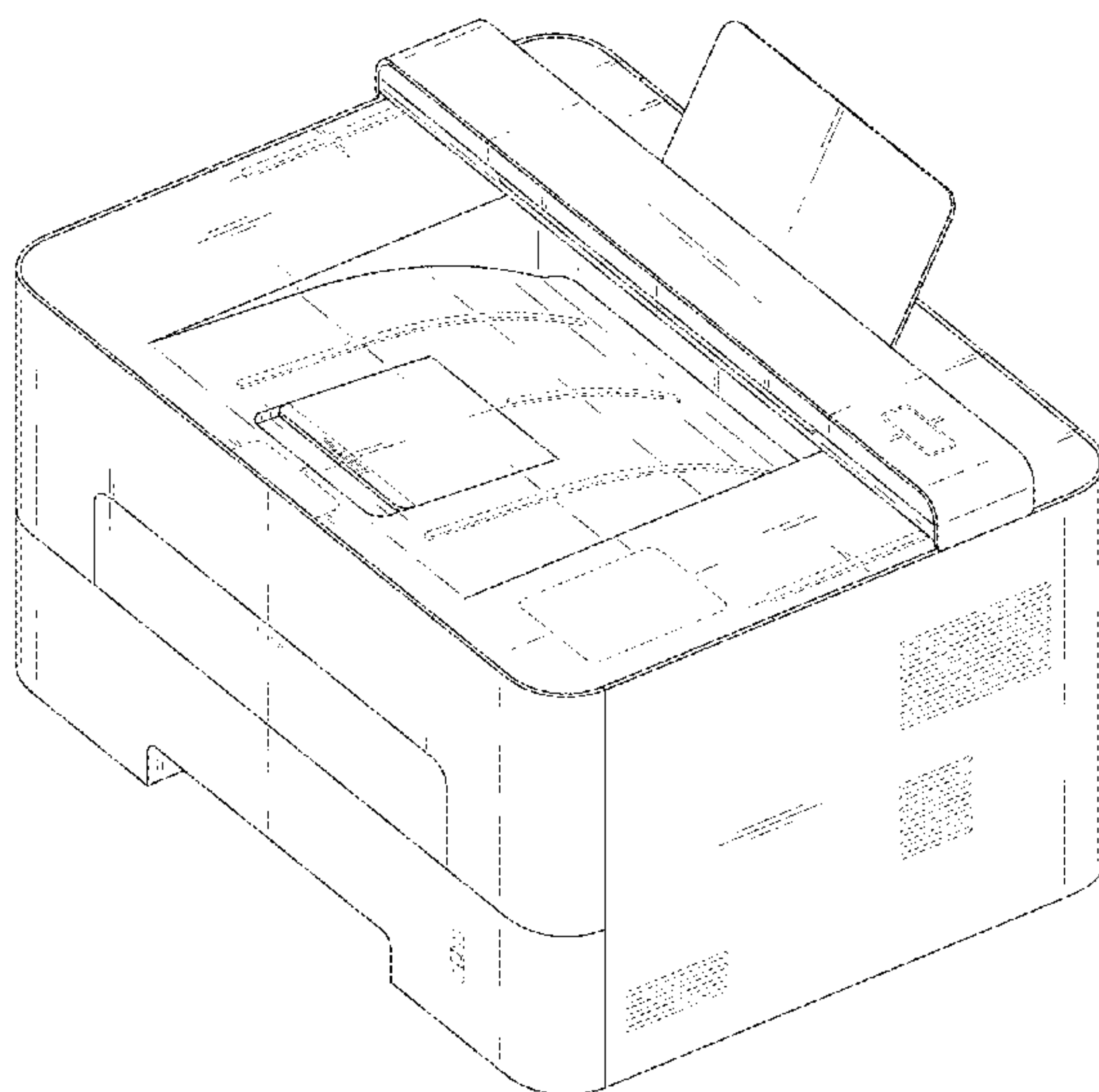


FIG. 1

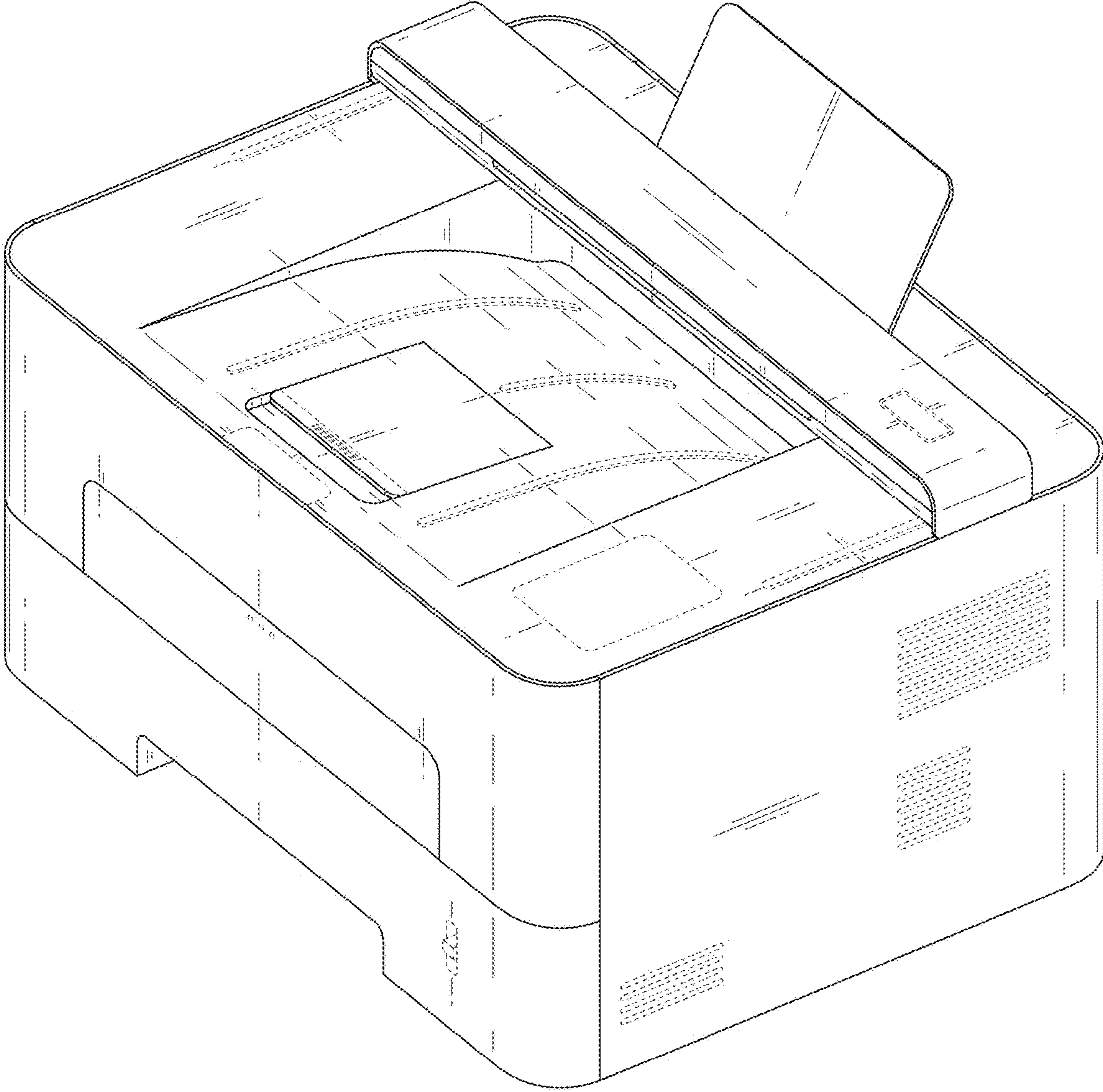


FIG. 2

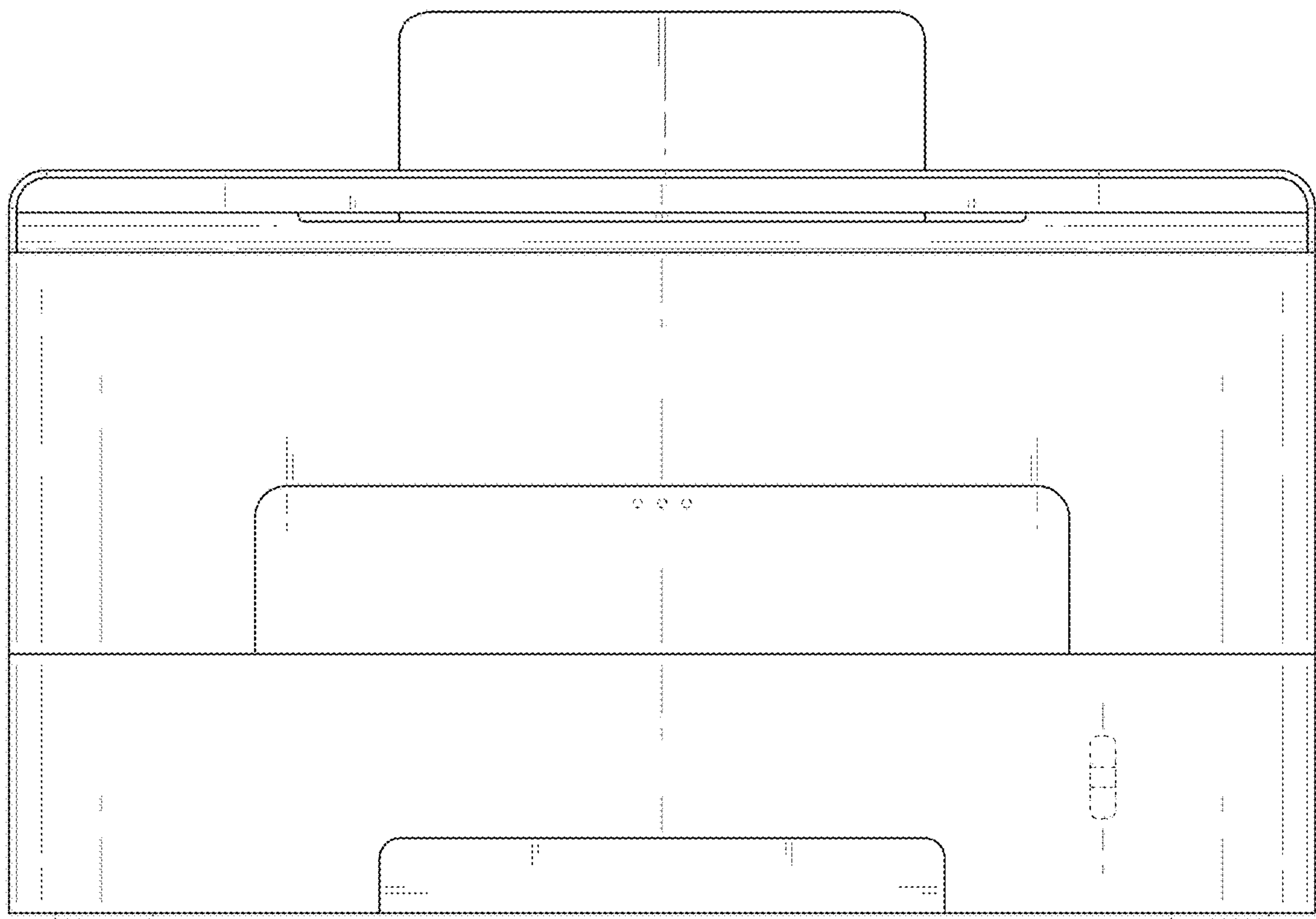


FIG. 3

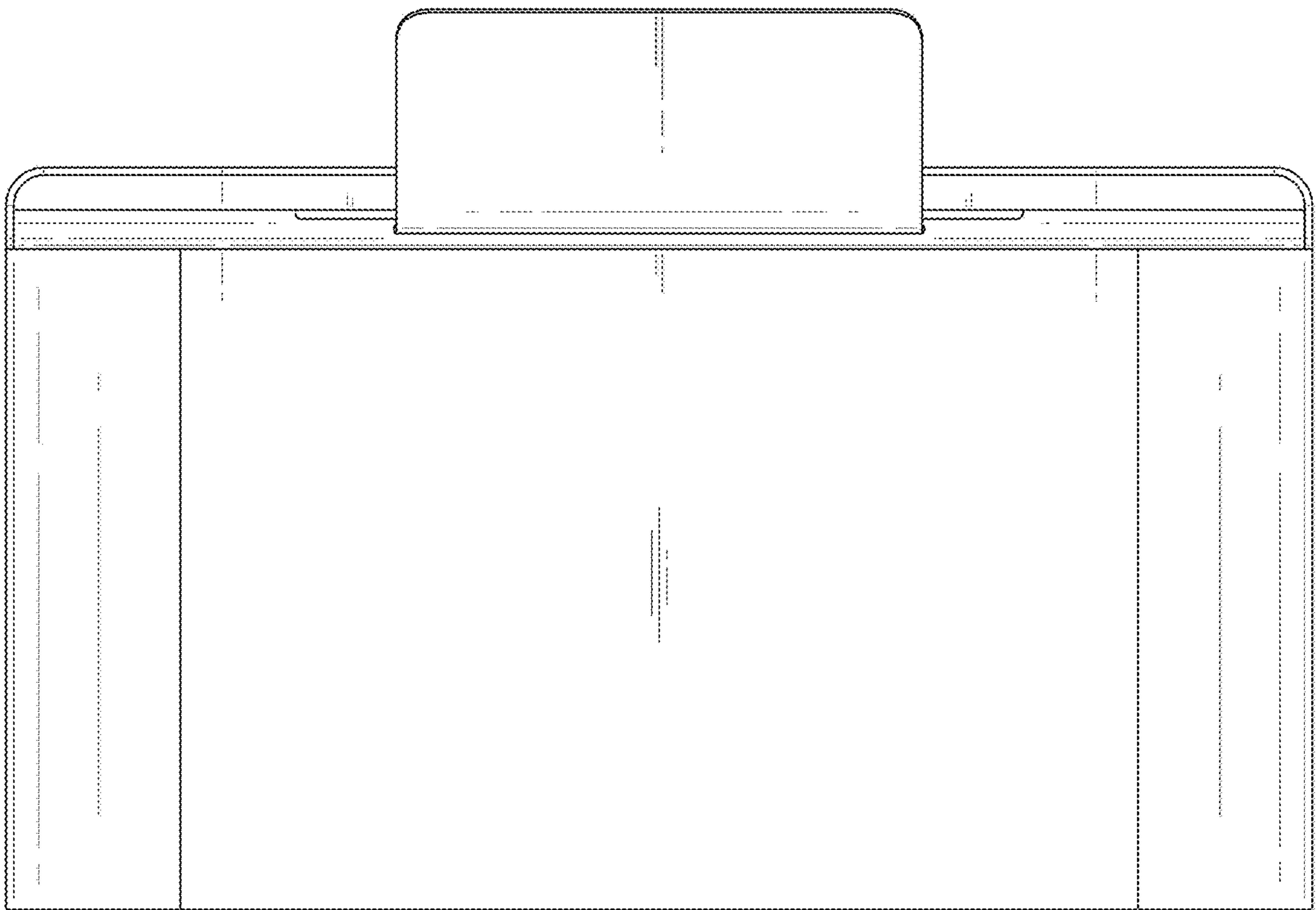




FIG. 4

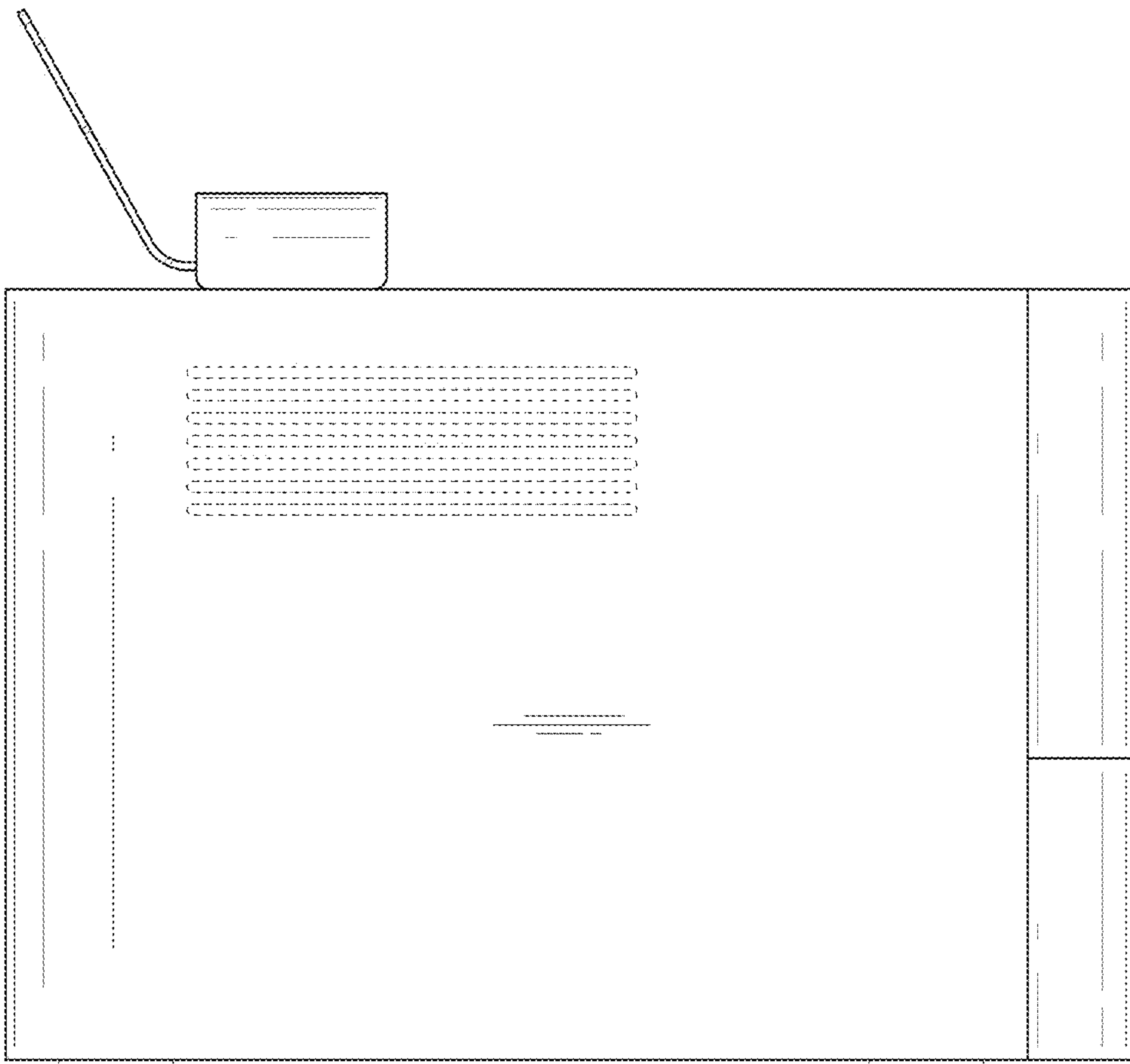


FIG. 5

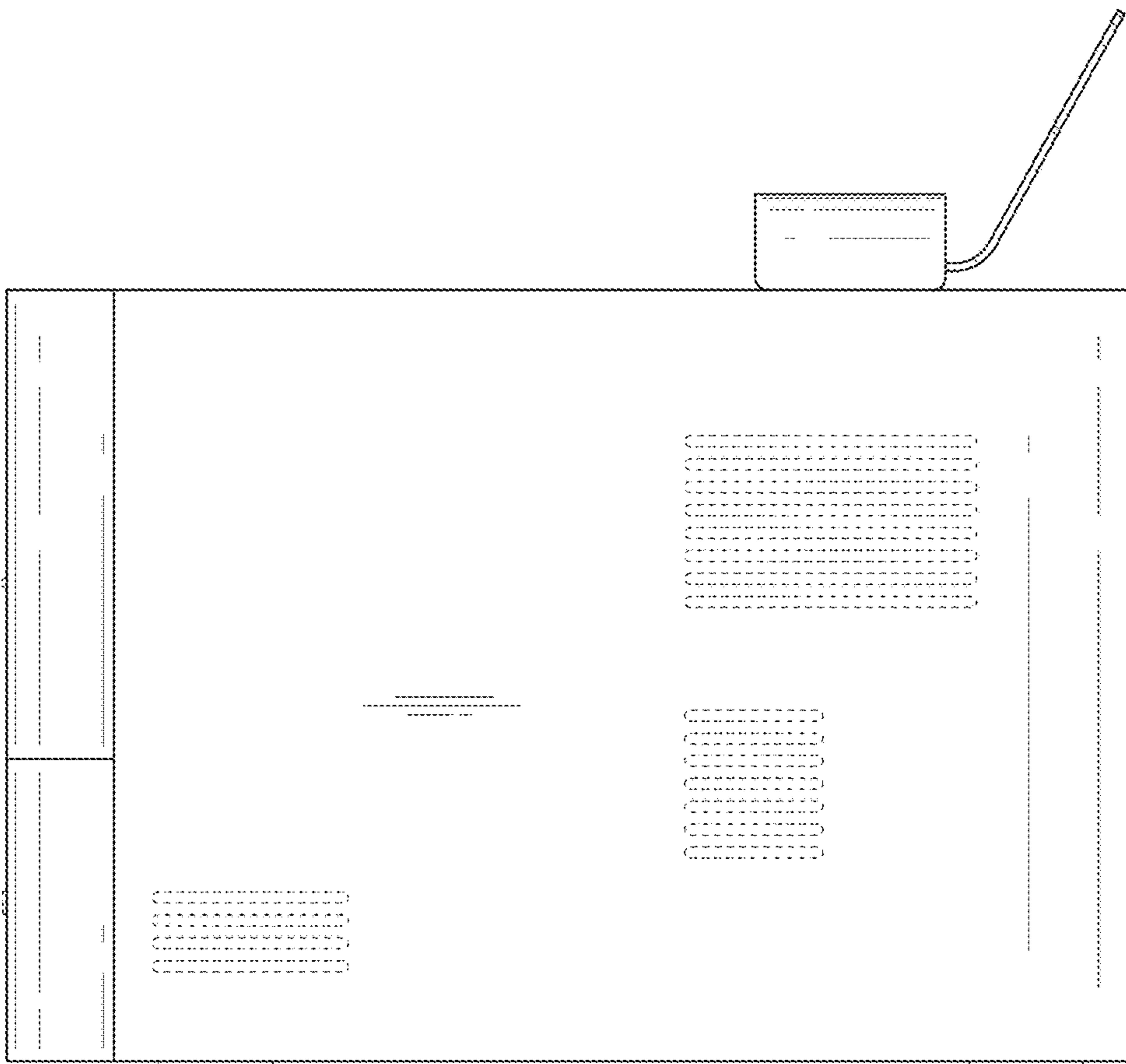


FIG. 6

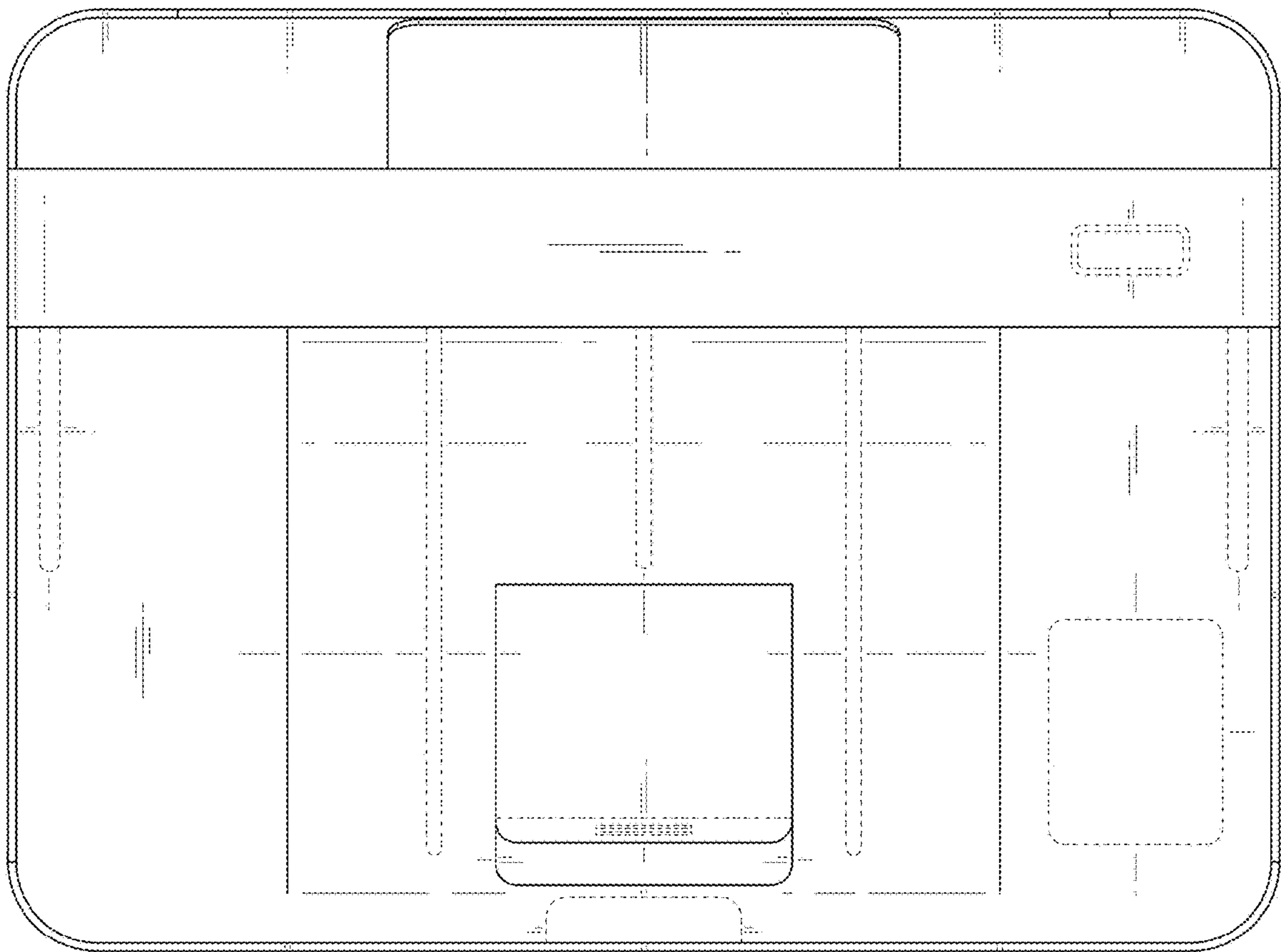


FIG. 7

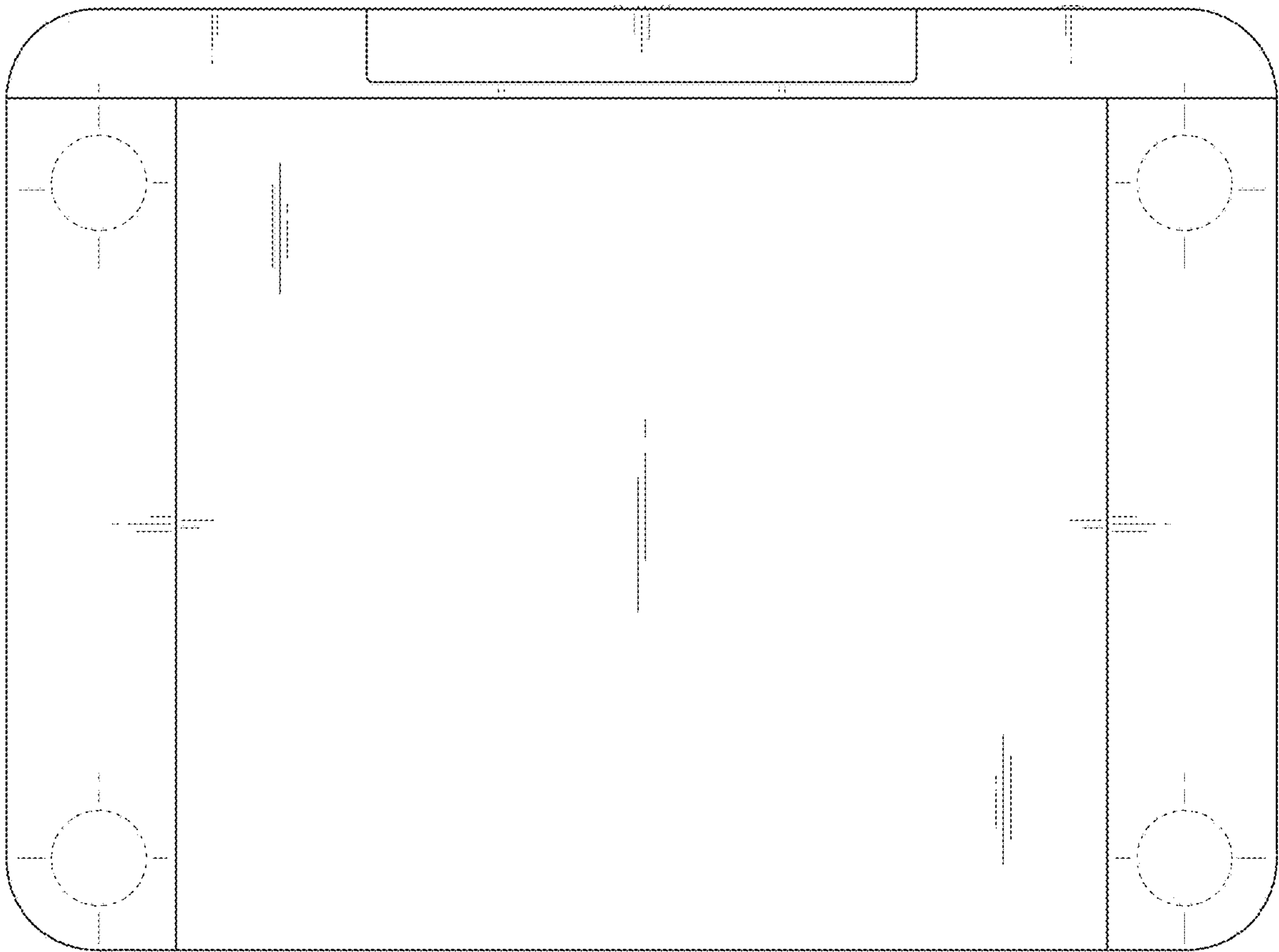




FIG. 8

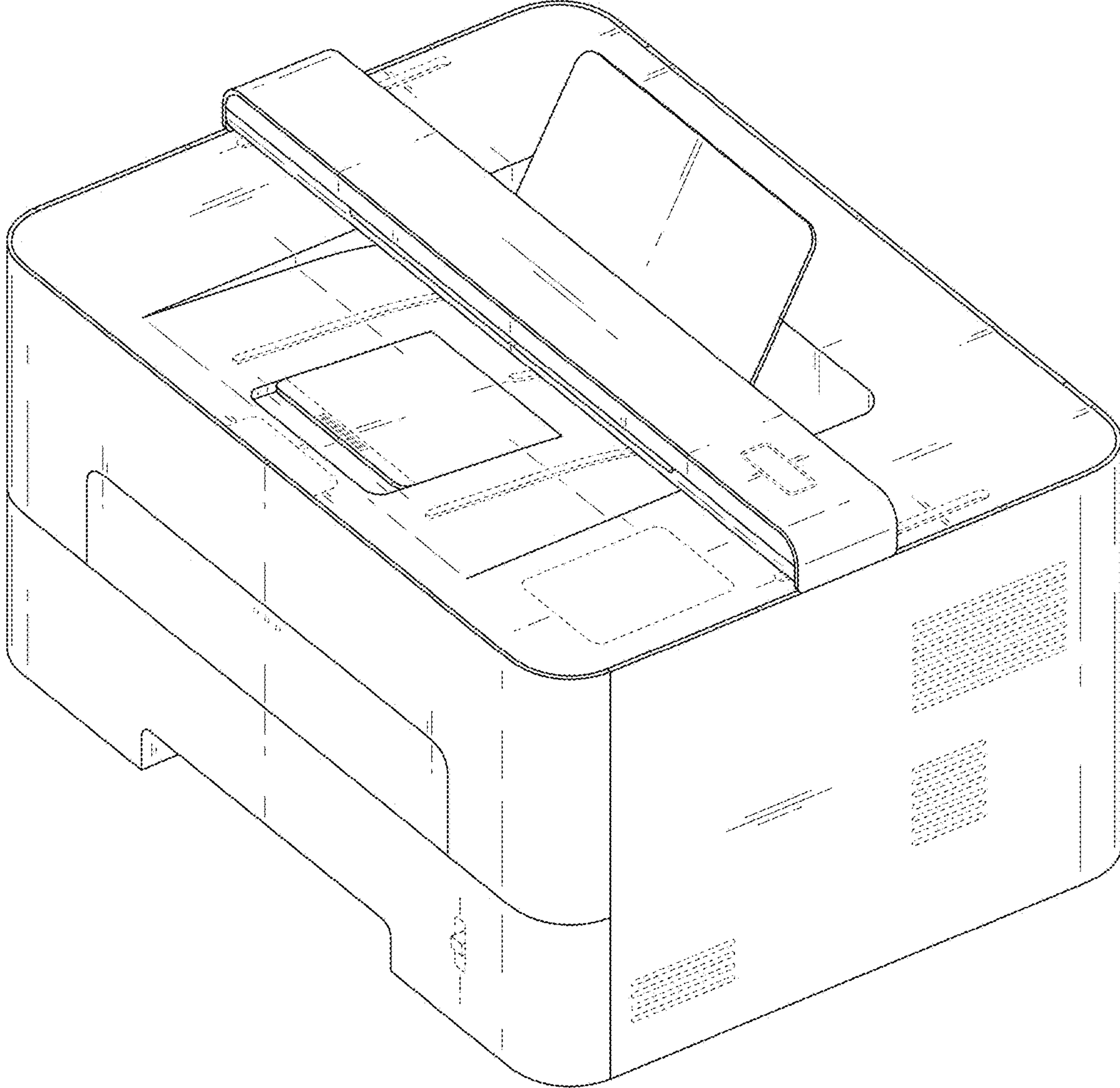


FIG. 9

