



US00D839337S

(12) **United States Design Patent**
Novak et al.

(10) **Patent No.:** **US D839,337 S**
(45) **Date of Patent:** **** Jan. 29, 2019**

(54) **MONITORING CAMERA**

(71) Applicant: **Axis AB**, Lund (SE)

(72) Inventors: **Sara Novak**, Malmo (SE); **Erika Backe**, Malmo (SE); **Morten Bergstrom**, Lund (SE); **Daniel Ahman**, Lomma (SE); **Mathias Walter**, Arlov (SE); **Stefan Larsson**, Lund (SE)

(73) Assignee: **AXIS AB**, Lund (SE)

(**) Term: **15 Years**

(21) Appl. No.: **29/632,158**

(22) Filed: **Jan. 5, 2018**

Related U.S. Application Data

(62) Division of application No. 29/577,710, filed on Sep. 15, 2016, now Pat. No. Des. 820,896.

(30) **Foreign Application Priority Data**

Mar. 15, 2016 (EM) 003029412

(51) **LOC (11) Cl.** **16-01**

(52) **U.S. Cl.**
USPC **D16/203**

(58) **Field of Classification Search**

USPC D16/200–220, 239, 242, 243, 244, 245;
D3/267, 265; D26/140, 26, 138, 142, 60,
D26/61, 62, 63, 106, 107, 128, 131;
D12/187; D14/204, 195, 181, 183, 215,
D14/209, 210, 224
CPC .. A61B 5/00; A61B 17/34; B60R 1/00; B60R
11/04; B64D 47/08; F16M 11/12; G03B
5/00; G03B 7/26; G03B 11/04; G03B
15/00; G03B 17/56; G03B 17/00; G03B
17/55; G03B 17/02; G08B 15/00; G11B
5/60; G06K 9/00; H04N 5/232; H04N
5/225; H04N 7/18; H04N 7/173; H04N
13/02

See application file for complete search history.

(56) **References Cited**

U.S. PATENT DOCUMENTS

D54,432 S * 2/1920 MacLewee D26/109
D232,656 S * 9/1974 Aulenti D26/108
D253,853 S 1/1980 Gerber
(Continued)

FOREIGN PATENT DOCUMENTS

CN 304006132 1/2017
TW D173898 2/2016

OTHER PUBLICATIONS

Backe, Erica et al., “Mechanical Design of Retail Cameras”, Master Thesis, Division of Machine Design, Department of Design Science, Faculty of Engineering LTH, Lund University, 2013, AXIS Communications, pp. 1-129.

Primary Examiner — Barbara Fox

Assistant Examiner — Mary C Ramirez

(74) *Attorney, Agent, or Firm* — Volpe and Koenig, P.C.

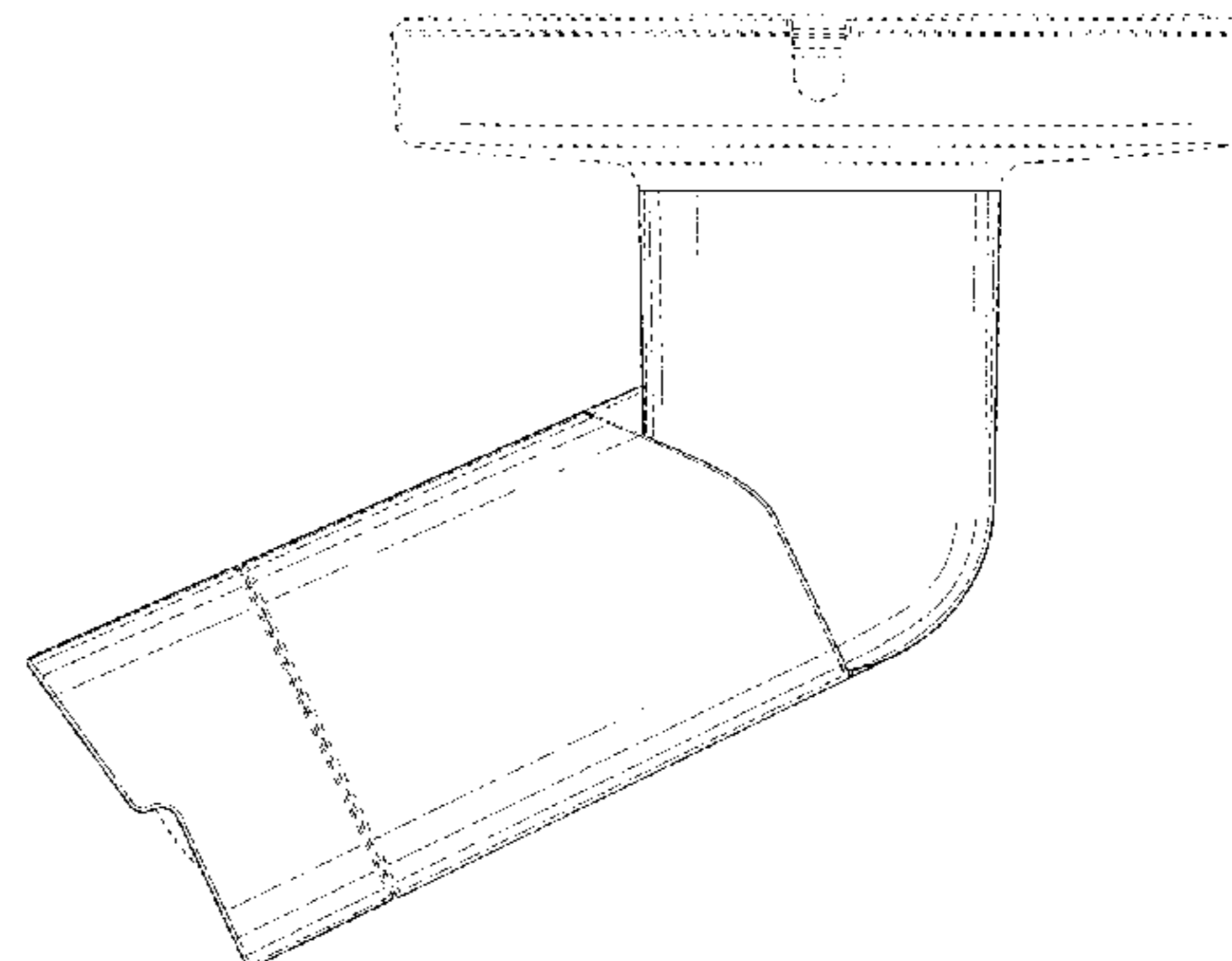
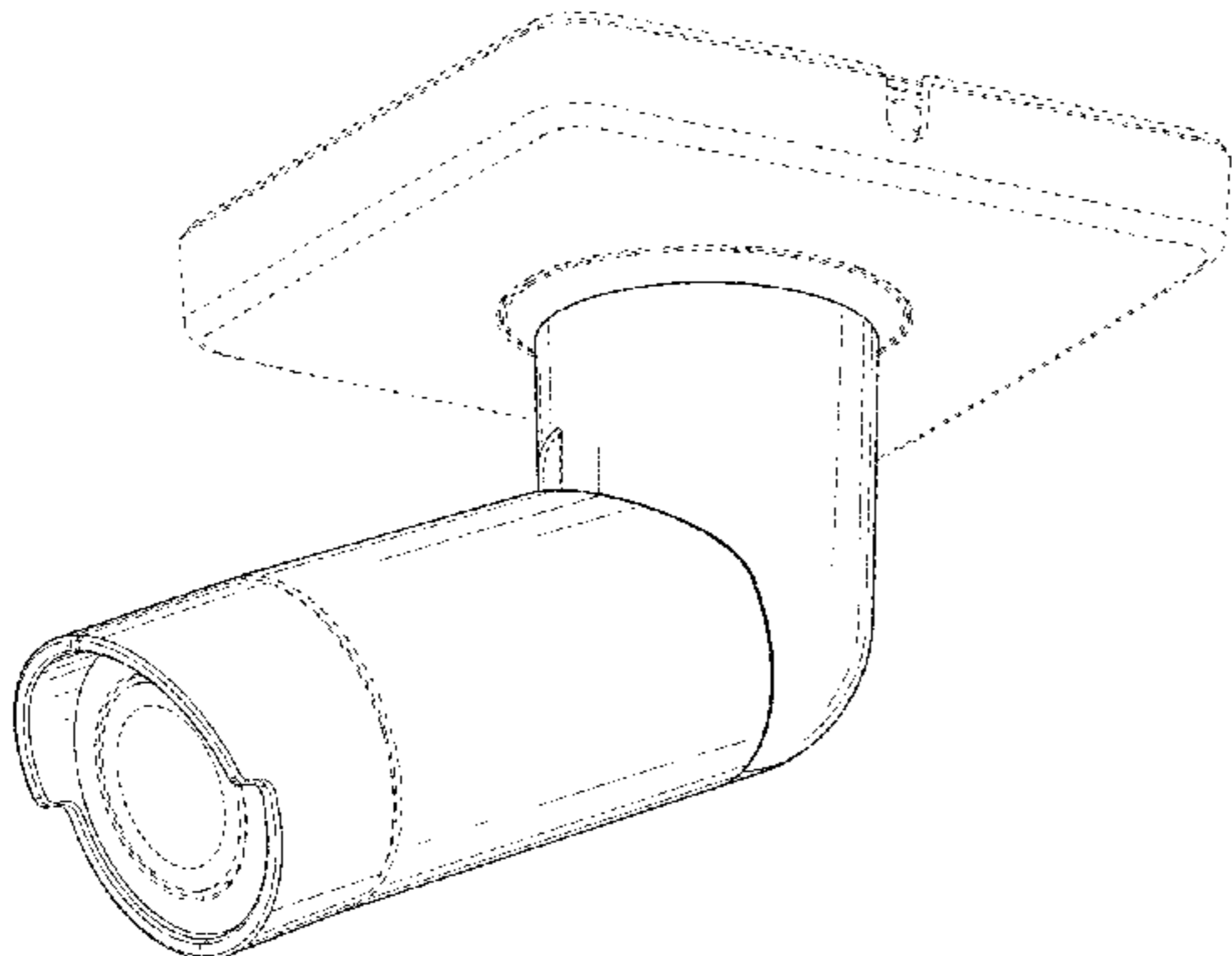
(57) **CLAIM**

We claim the ornamental design for a monitoring camera, as shown and described.

DESCRIPTION

FIG. 1 is a bottom, front, right perspective view of a monitoring camera in accordance with our design;
FIG. 2 is a front elevational view thereof;
FIG. 3 is a bottom plan view thereof;
FIG. 4 is a left side elevational view thereof;
FIG. 5 is a right side elevational view thereof;
FIG. 6 is a rear elevational view thereof; and,
FIG. 7 is a top plan view thereof.
The broken lines shown in the drawings depict portions of the monitoring camera that form no part of the claimed design.

1 Claim, 7 Drawing Sheets



(56)

References Cited

U.S. PATENT DOCUMENTS

D293,478 S * 12/1987 Palone D26/24
D293,720 S * 1/1988 Witte D26/63
D360,965 S * 8/1995 Cullen D26/63
6,135,615 A * 10/2000 Lee H01R 25/147
362/147
D481,406 S 10/2003 Alessio
D541,456 S * 4/2007 Kosche D26/63
D574,532 S * 8/2008 Lee D26/63
D589,995 S * 4/2009 Kellar D16/203
D602,623 S * 10/2009 Kay D26/65
D635,172 S 3/2011 Ko
D637,640 S 5/2011 Park
D691,187 S 10/2013 Seo et al.
D696,329 S 12/2013 Horiki et al.
D697,245 S 1/2014 Thomas et al.
D702,274 S * 4/2014 Qian D16/203
D721,756 S 1/2015 Hallstrom et al.
D723,603 S * 3/2015 Hess, Jr. D16/203
D731,574 S 6/2015 Hallstrom et al.
D753,328 S * 4/2016 Mathews D26/63
D753,751 S 4/2016 Moller-Lewin et al.
D781,361 S 3/2017 Dimitriadis et al.
9,593,829 B2 * 3/2017 Dupre F21V 19/02
D787,581 S 5/2017 Moller-Lewin et al.
D812,279 S * 3/2018 Price D26/63
9,940,802 B2 * 4/2018 Rosenkvist G03B 17/561
D820,896 S * 6/2018 Novak D16/203
D821,624 S * 6/2018 Huyghe D26/63
D821,625 S * 6/2018 Couvreur D26/63
2008/0226282 A1 9/2008 Takahashi
2009/0309968 A1 12/2009 Cheng

* cited by examiner

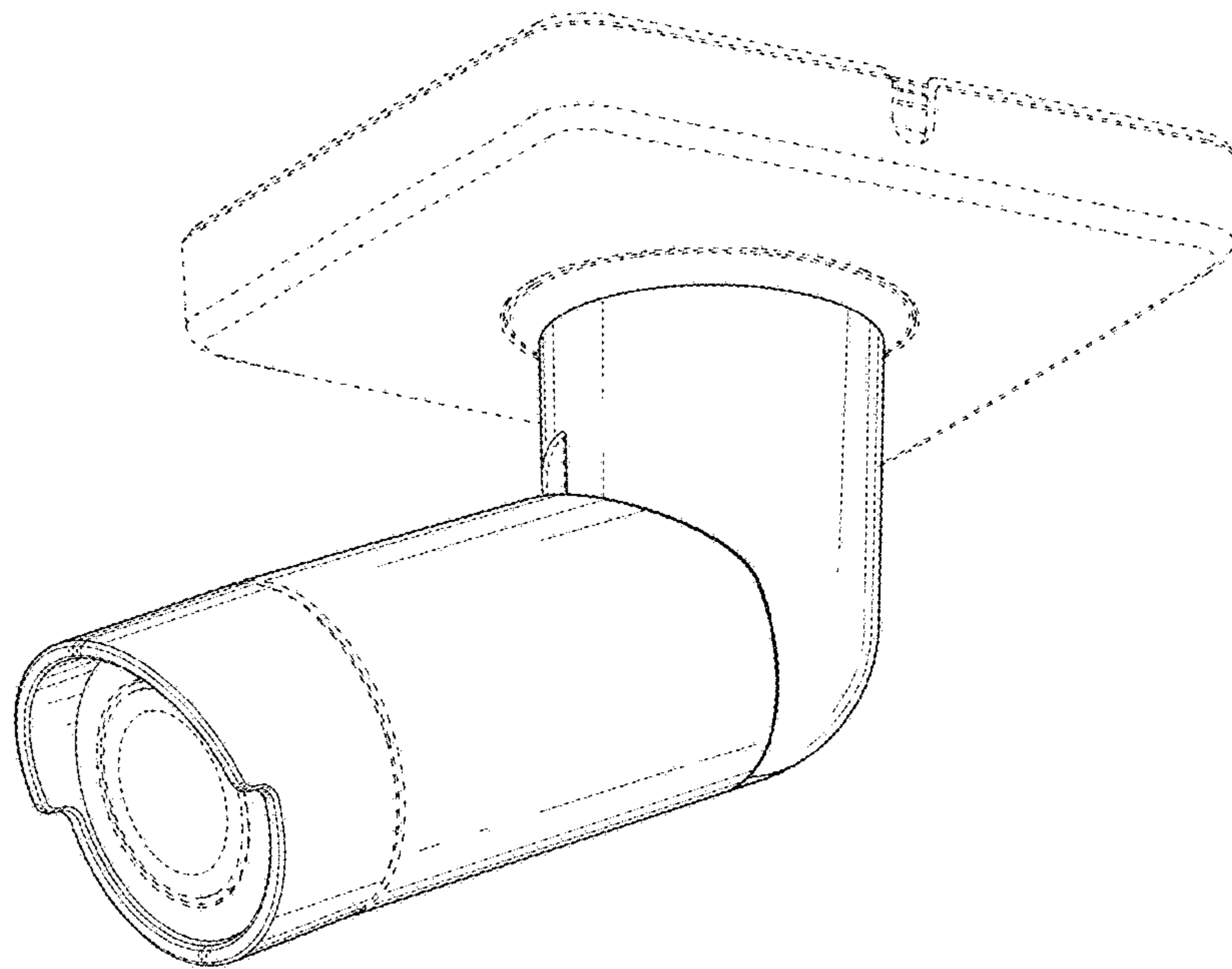


Fig. 1

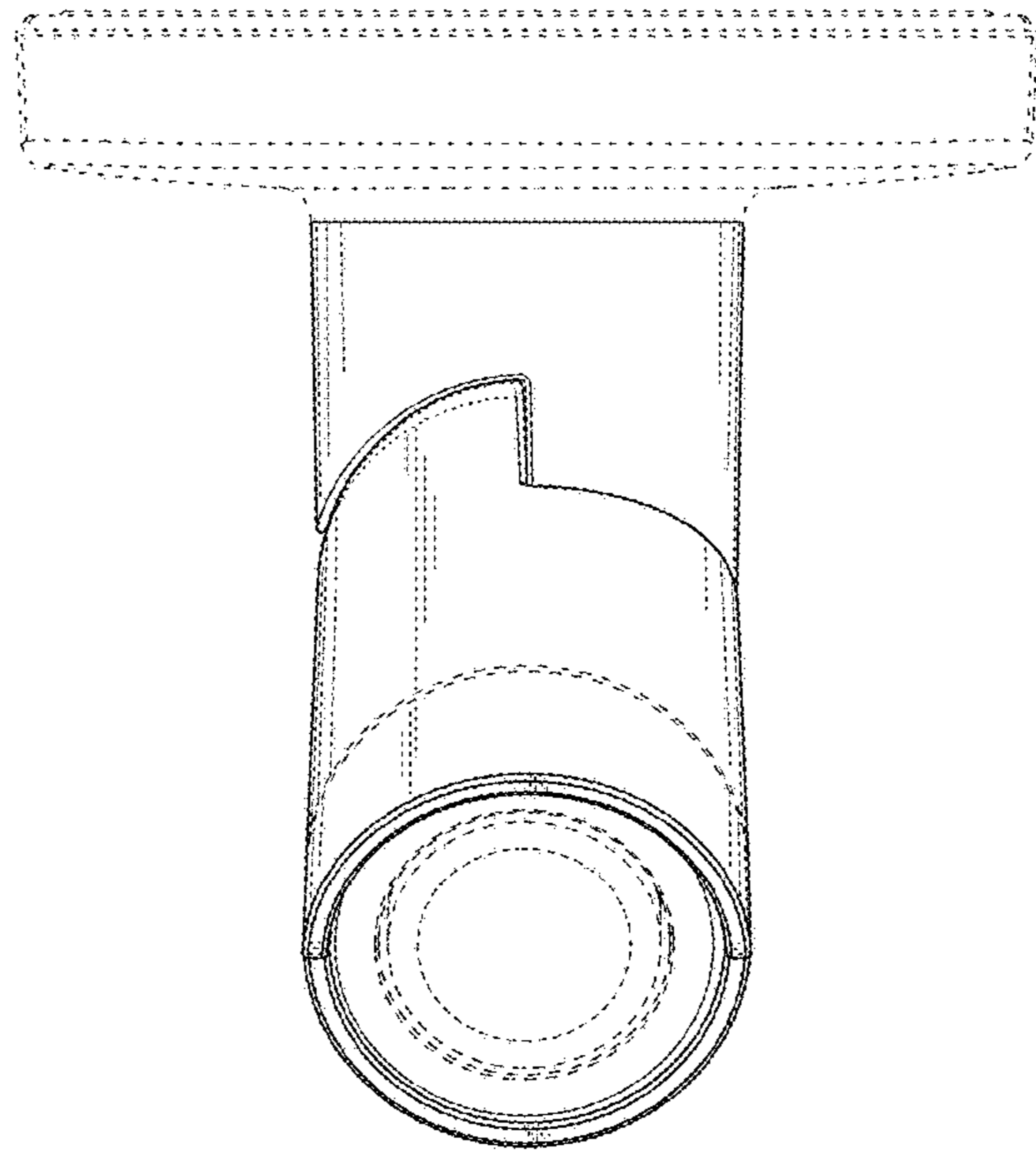


Fig. 2

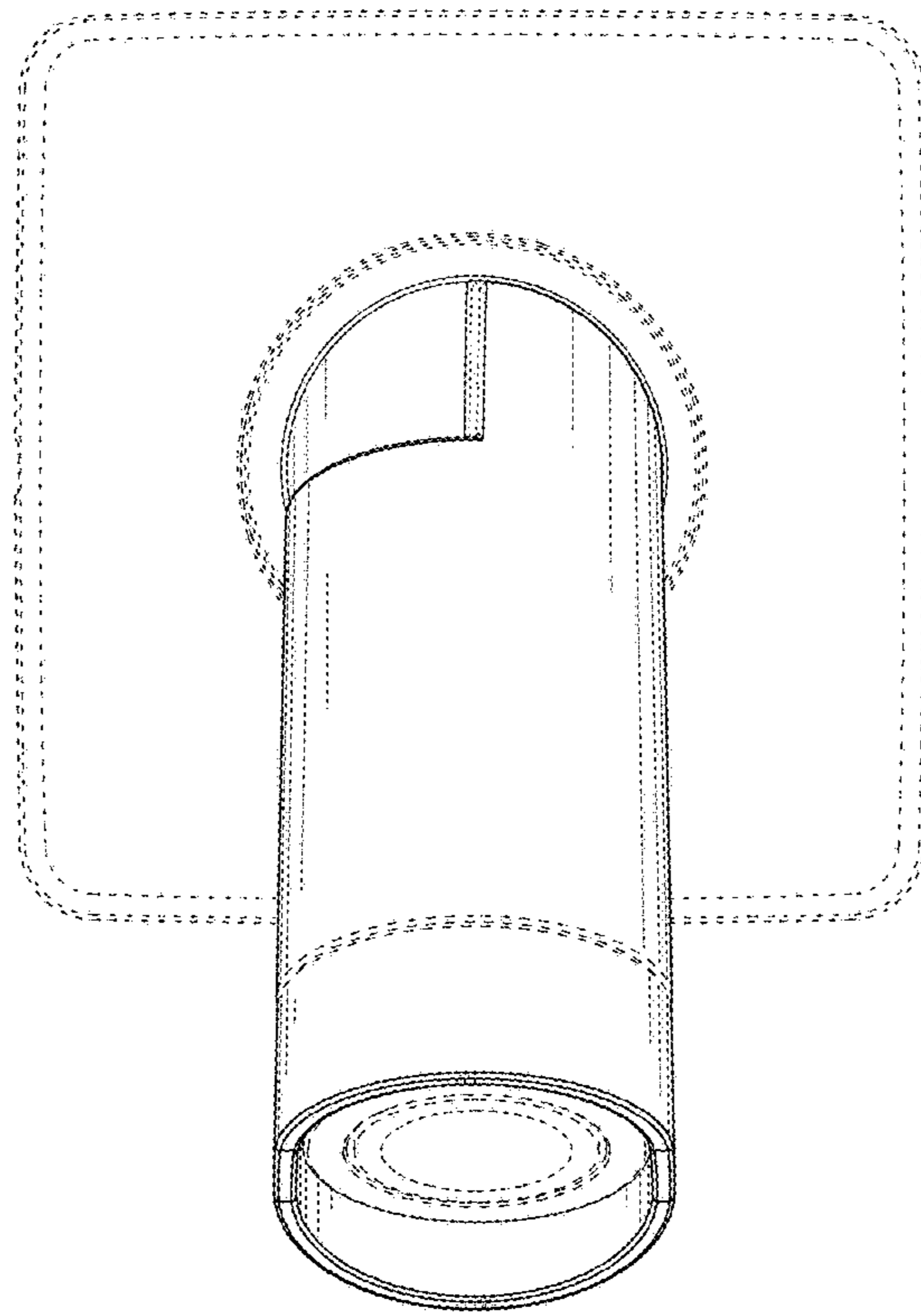


Fig. 3

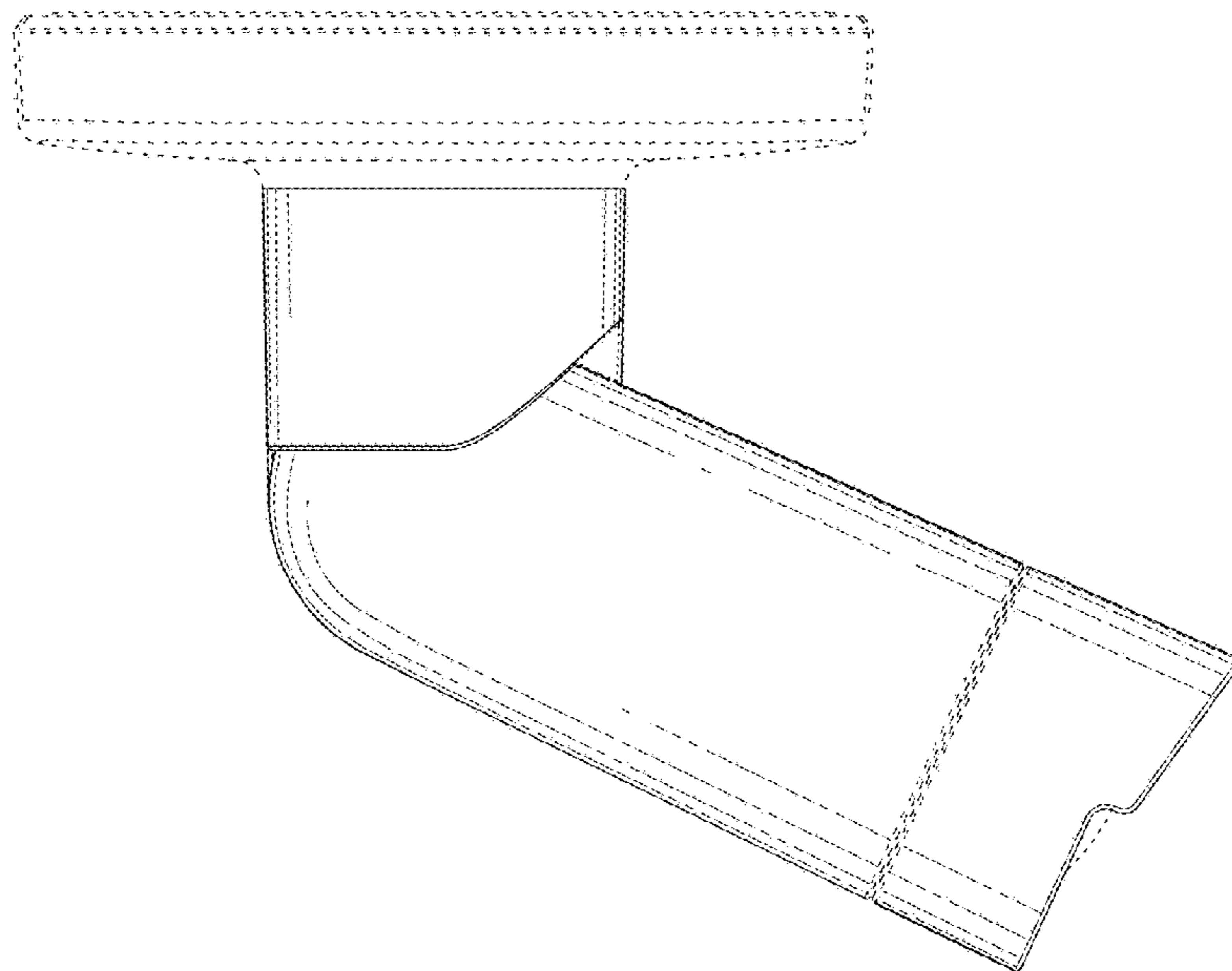


Fig. 4

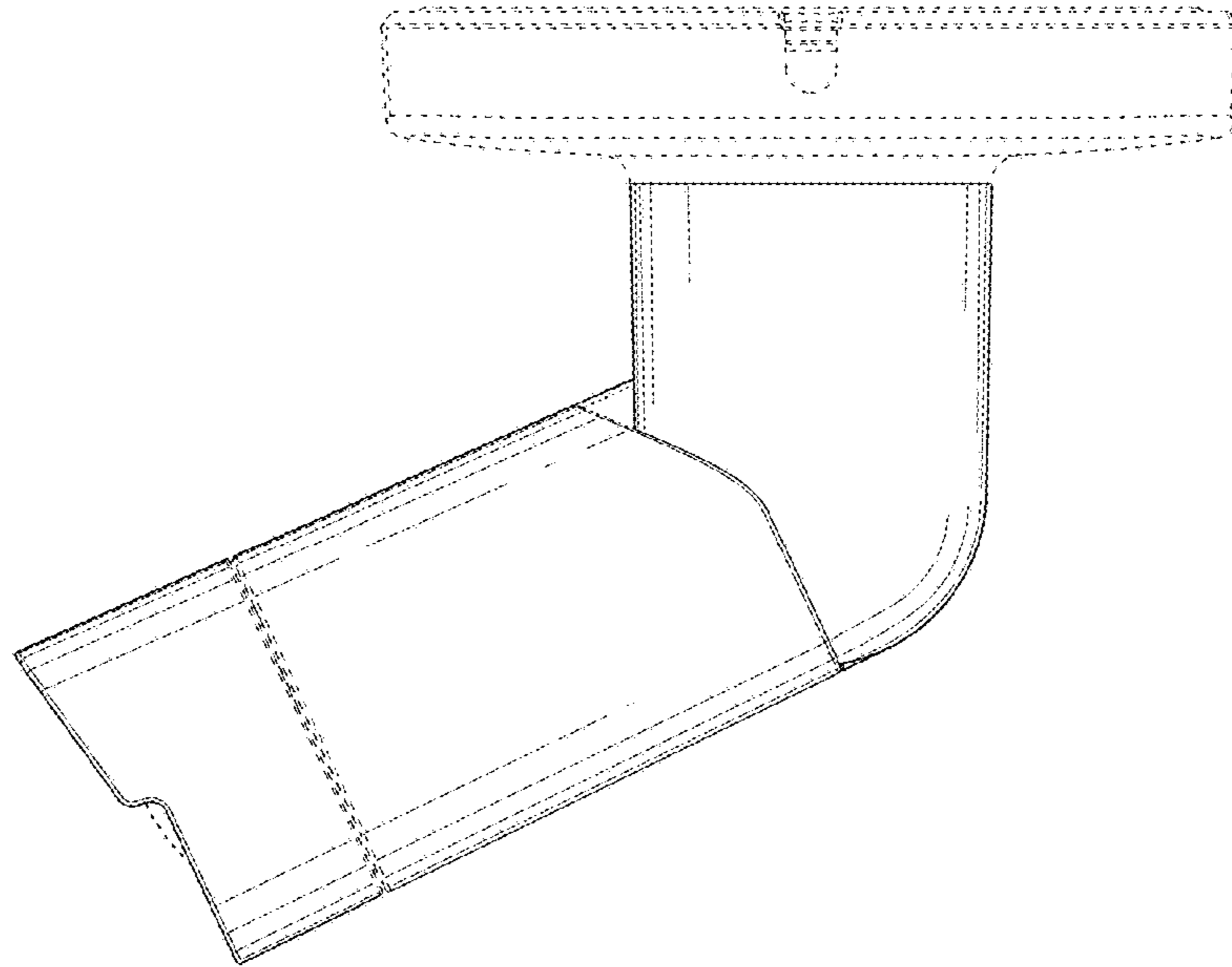


Fig. 5

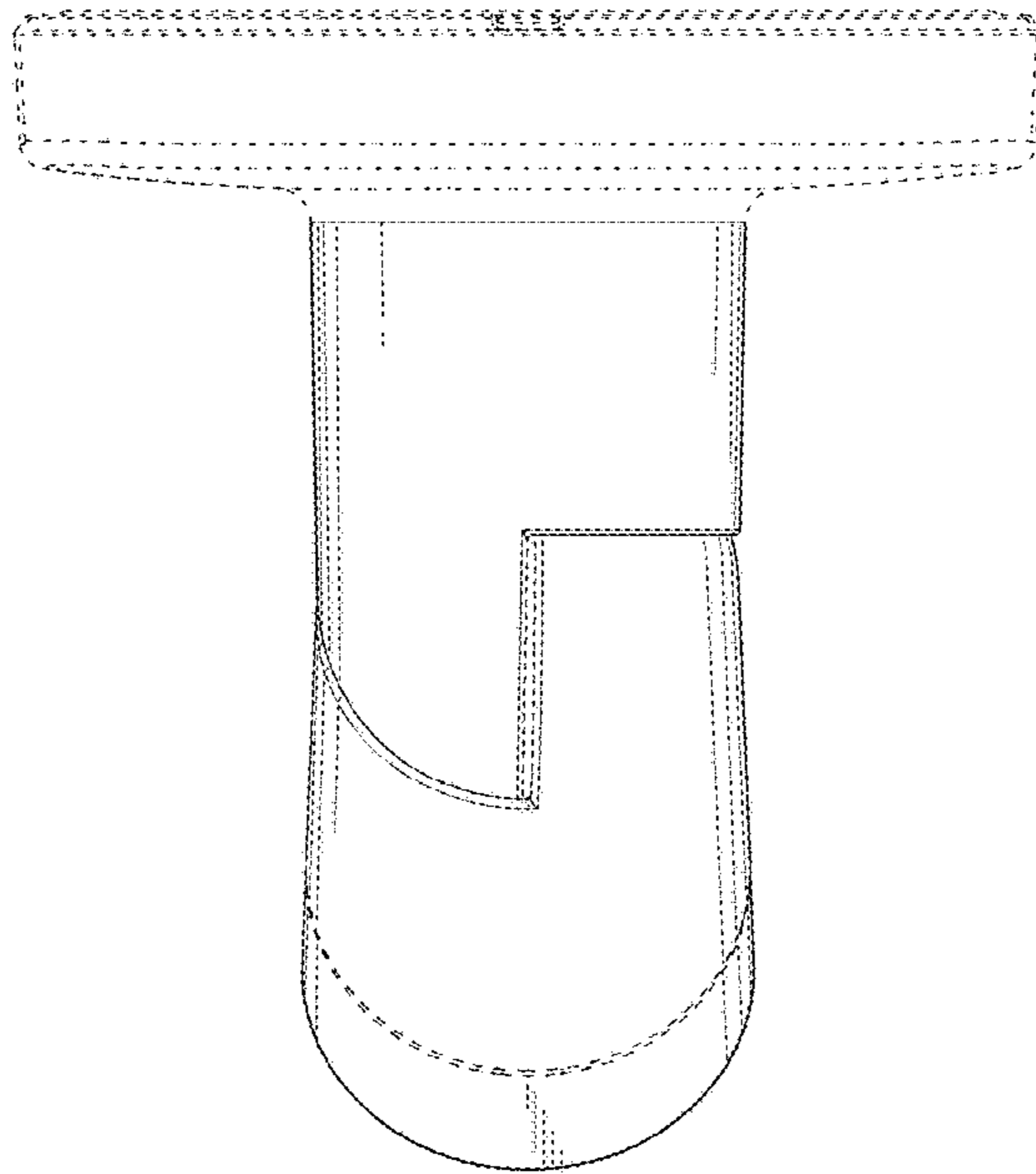


Fig. 6

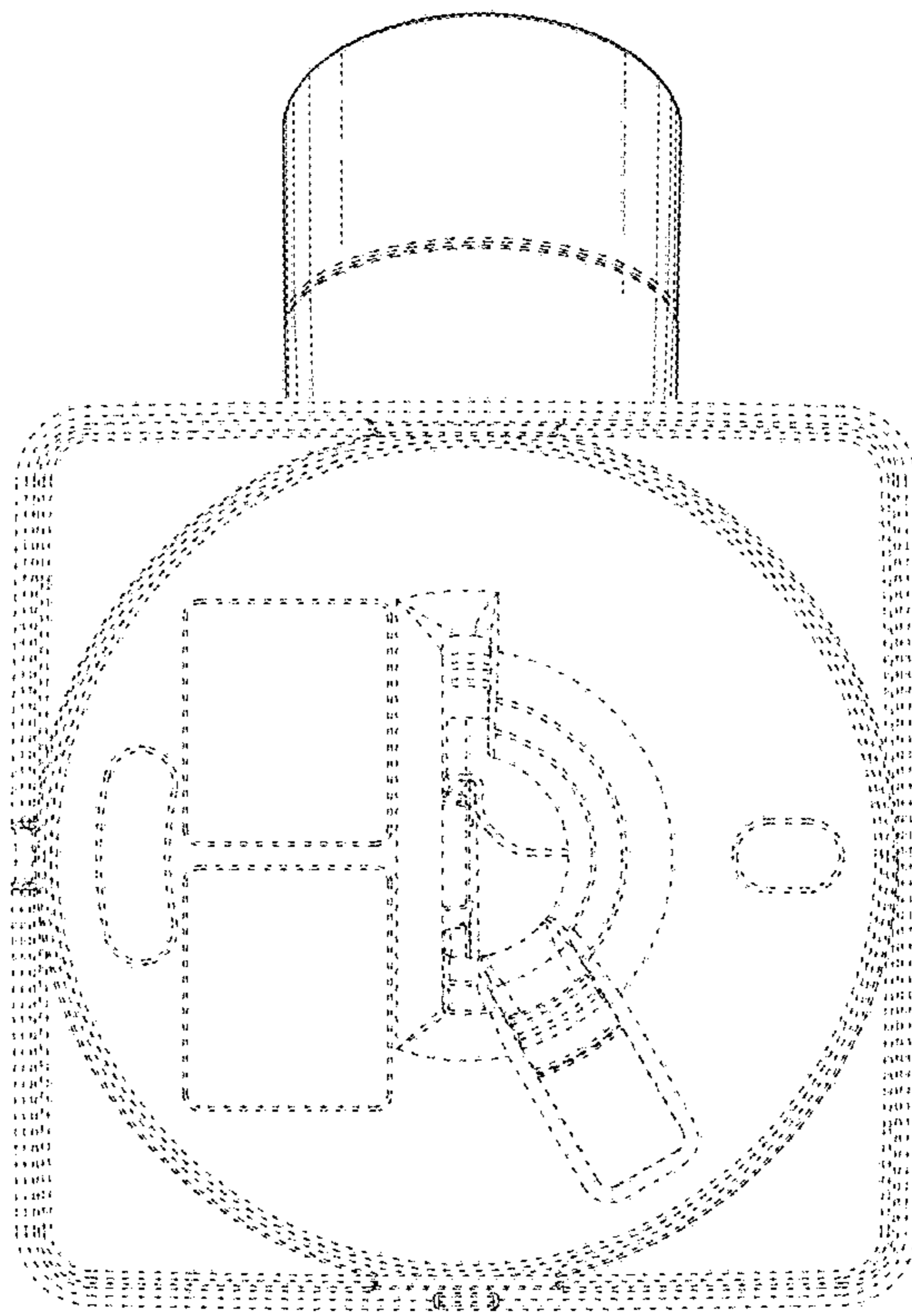


Fig. 7