



US00D839336S

(12) **United States Design Patent** (10) **Patent No.:** **US D839,336 S**
Siminoff et al. (45) **Date of Patent:** **** Jan. 29, 2019**

(54) **SECURITY CAMERA**
(71) Applicant: **Ring Inc.**, Santa Monica, CA (US)
(72) Inventors: **James Siminoff**, Pacific Palisades, CA (US); **Mark Siminoff**, Mountain View, CA (US); **Spiro Sacre**, Los Angeles, CA (US); **Matthew J England**, Santa Monica, CA (US); **Christopher Loew**, Palo Alto, CA (US)

(73) Assignee: **AMAZON TECHNOLOGIES, INC.**, Seattle, WA (US)

(**) Term: **15 Years**

(21) Appl. No.: **29/610,934**

(22) Filed: **Jul. 17, 2017**

(51) **LOC (11) Cl.** **16-01**

(52) **U.S. Cl.**
USPC **D16/203**

(58) **Field of Classification Search**
USPC D16/200, 202–207, 208, 218, 219;
348/143, 148, 151, 373–376; 396/419,
396/427, 535, 539–541
CPC G03B 17/02; G03B 19/04; G03B 17/56;
G03B 17/04; G03B 15/03; H04N 5/2251;
H04N 5/2252; H04N 5/2253; H04N
5/2254; H04N 7/181; H04N 7/183; H04N
7/18; G08B 13/1963; G08B 13/19619;
G08B 13/19632; F16M 11/04; F16M
13/00

See application file for complete search history.

(56) **References Cited**

U.S. PATENT DOCUMENTS

D638,458 S * 5/2011 Miyamori D16/202
D649,573 S * 11/2011 Al D16/202
D697,119 S * 1/2014 Park D16/202
D721,754 S * 1/2015 Chen D16/202

D741,932 S * 10/2015 Huang D16/202
D743,467 S * 11/2015 Bhattacharya D16/203
D747,383 S * 1/2016 Li D16/203
D754,231 S * 4/2016 Murray D16/202
D754,767 S * 4/2016 Sandy D16/202
D755,875 S * 5/2016 Geng H04N 5/2251
D16/203
D788,834 S * 6/2017 Bhattacharya D16/203
2013/0038728 A1 * 2/2013 Kim H04N 5/2252
348/143
2014/0160349 A1 * 6/2014 Huang H04N 5/2251
348/375

* cited by examiner

Primary Examiner — Philip S Hyder

Assistant Examiner — Ramzi S Almatrahi

(74) *Attorney, Agent, or Firm* — Lathrop Gage LLP

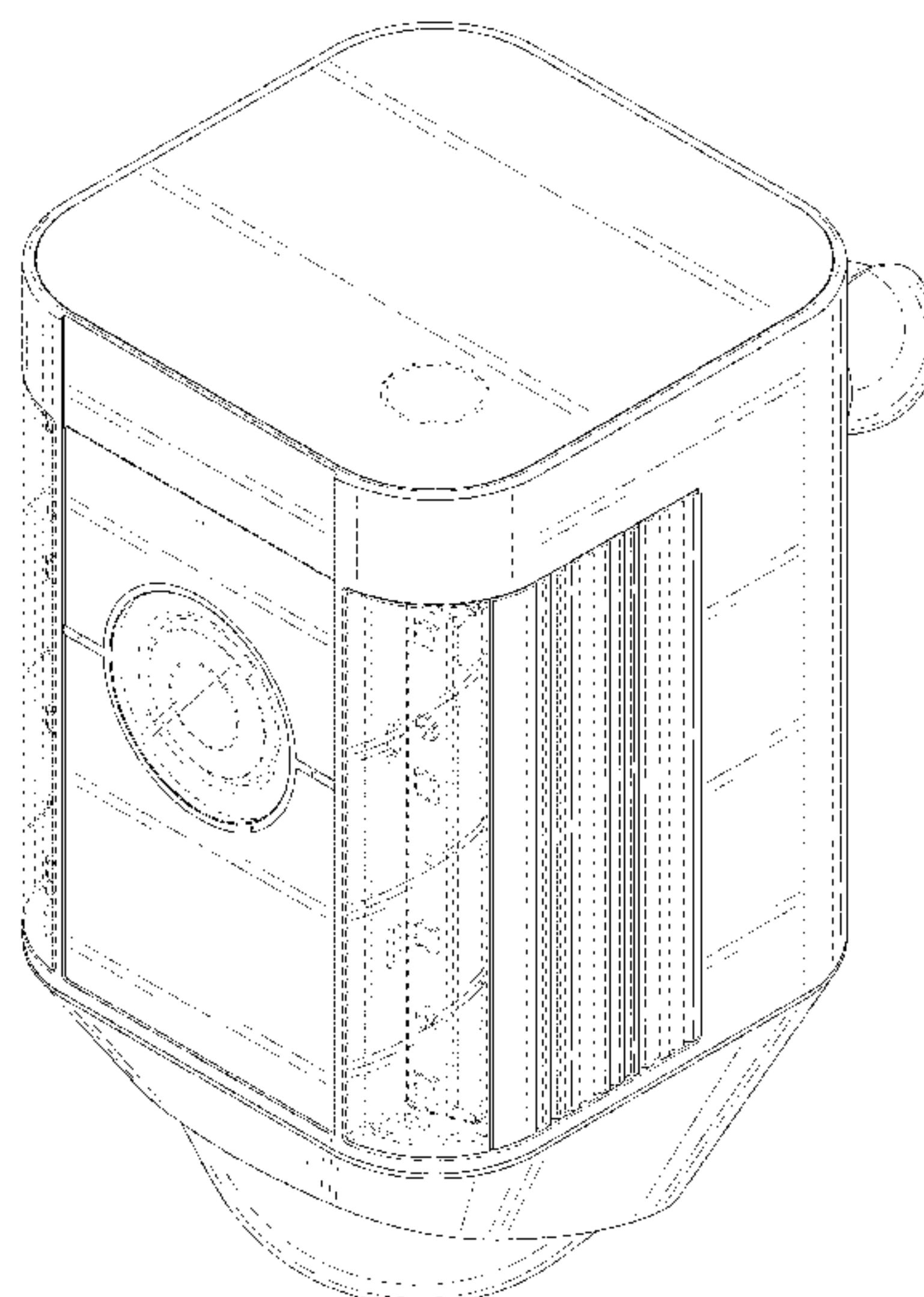
(57) **CLAIM**

The ornamental design for a security camera, as shown and described.

DESCRIPTION

FIG. 1 is a front perspective view of a security camera according to the present design;
FIG. 2 is a front elevational view of the security camera of FIG. 1;
FIG. 3 is a rear elevational view of the security camera of FIG. 1;
FIG. 4 is a left-side elevational view of the security camera of FIG. 1;
FIG. 5 is a right-side elevational view of the security camera of FIG. 1;
FIG. 6 is a top plan view of the security camera of FIG. 1; and,
FIG. 7 is a bottom plan view of the security camera of FIG. 1.
The broken lines depict portions of the security camera in which the design is embodied that form no part of the claimed design.

1 Claim, 7 Drawing Sheets



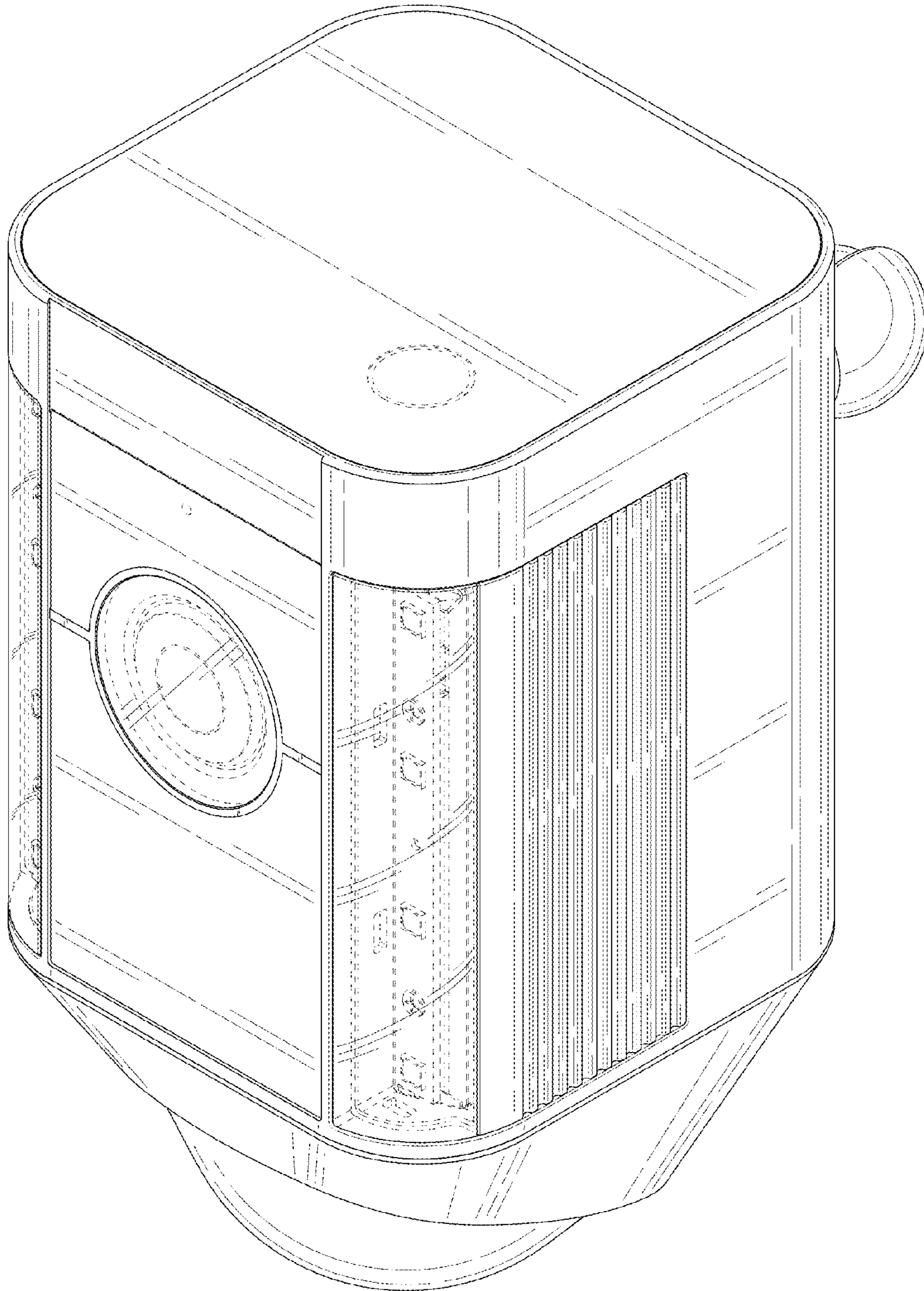


FIG. 1

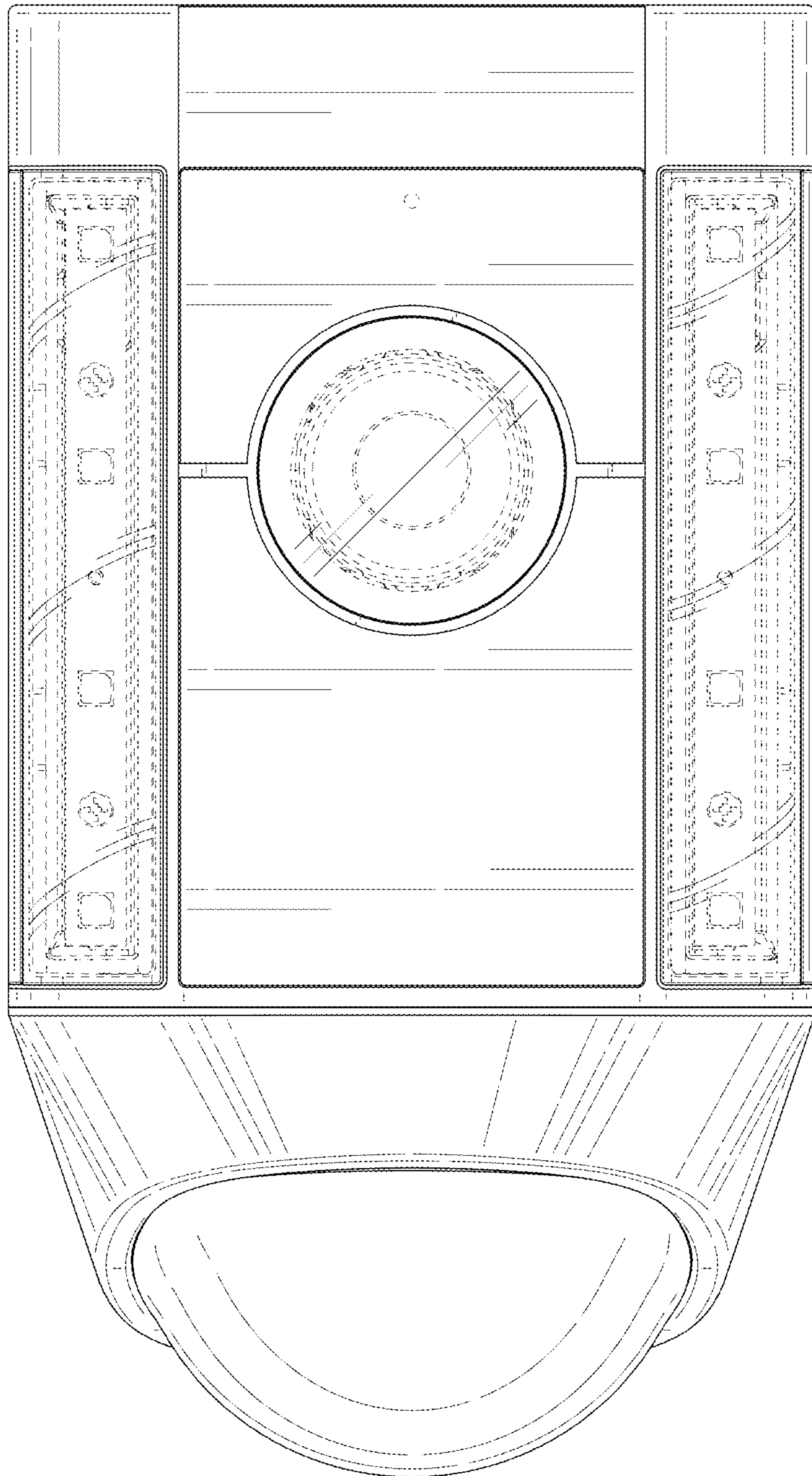


FIG. 2

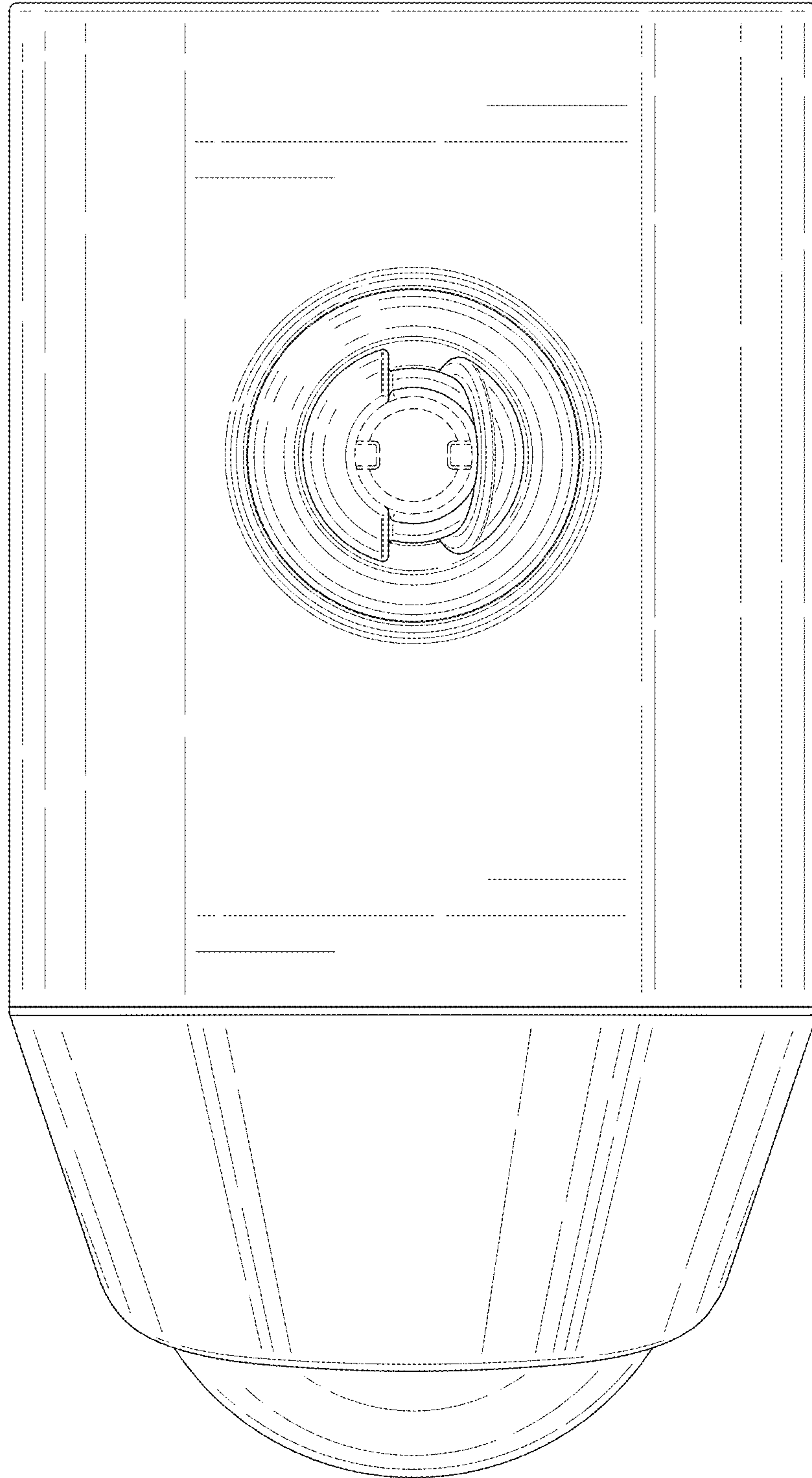


FIG. 3

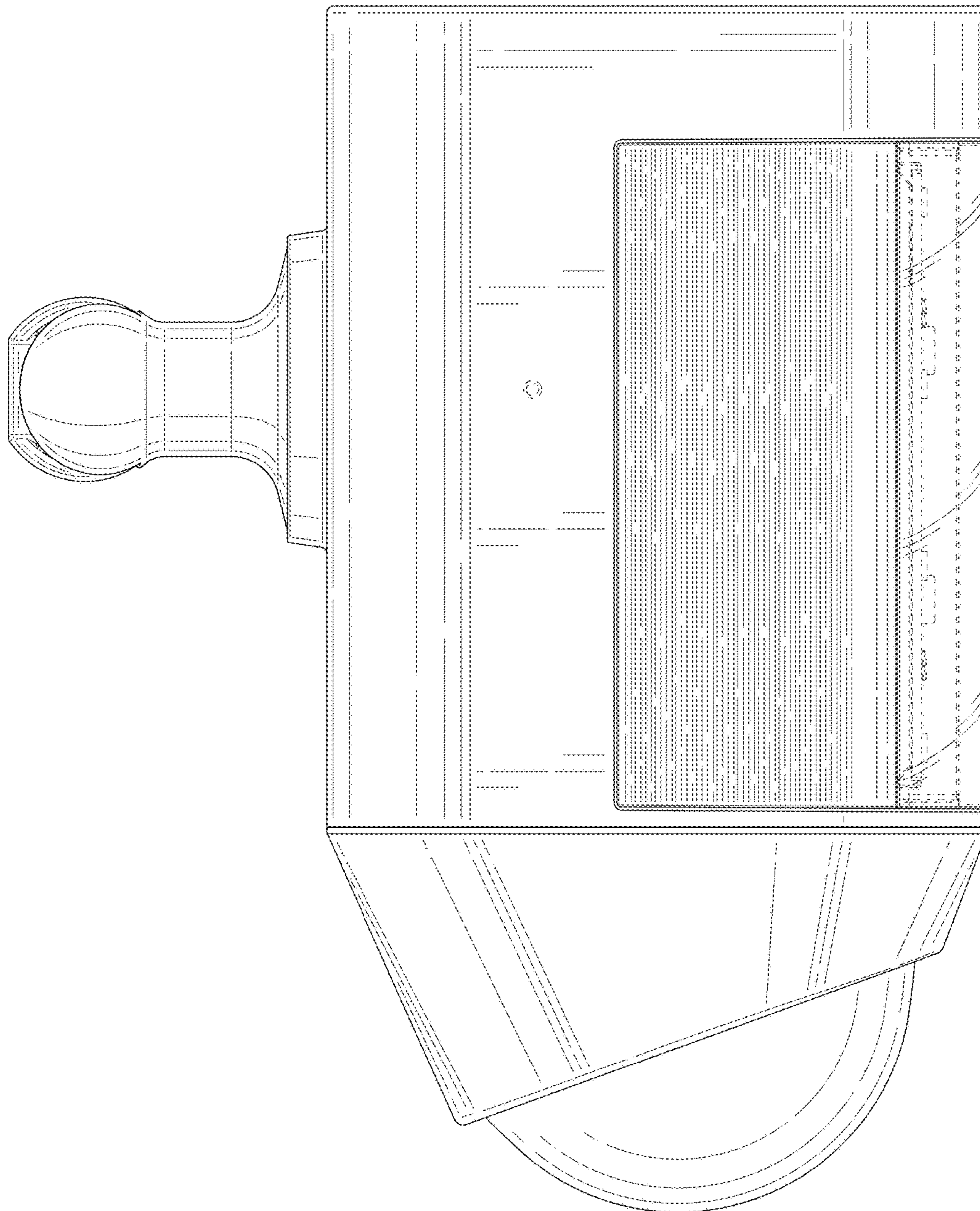


FIG. 4

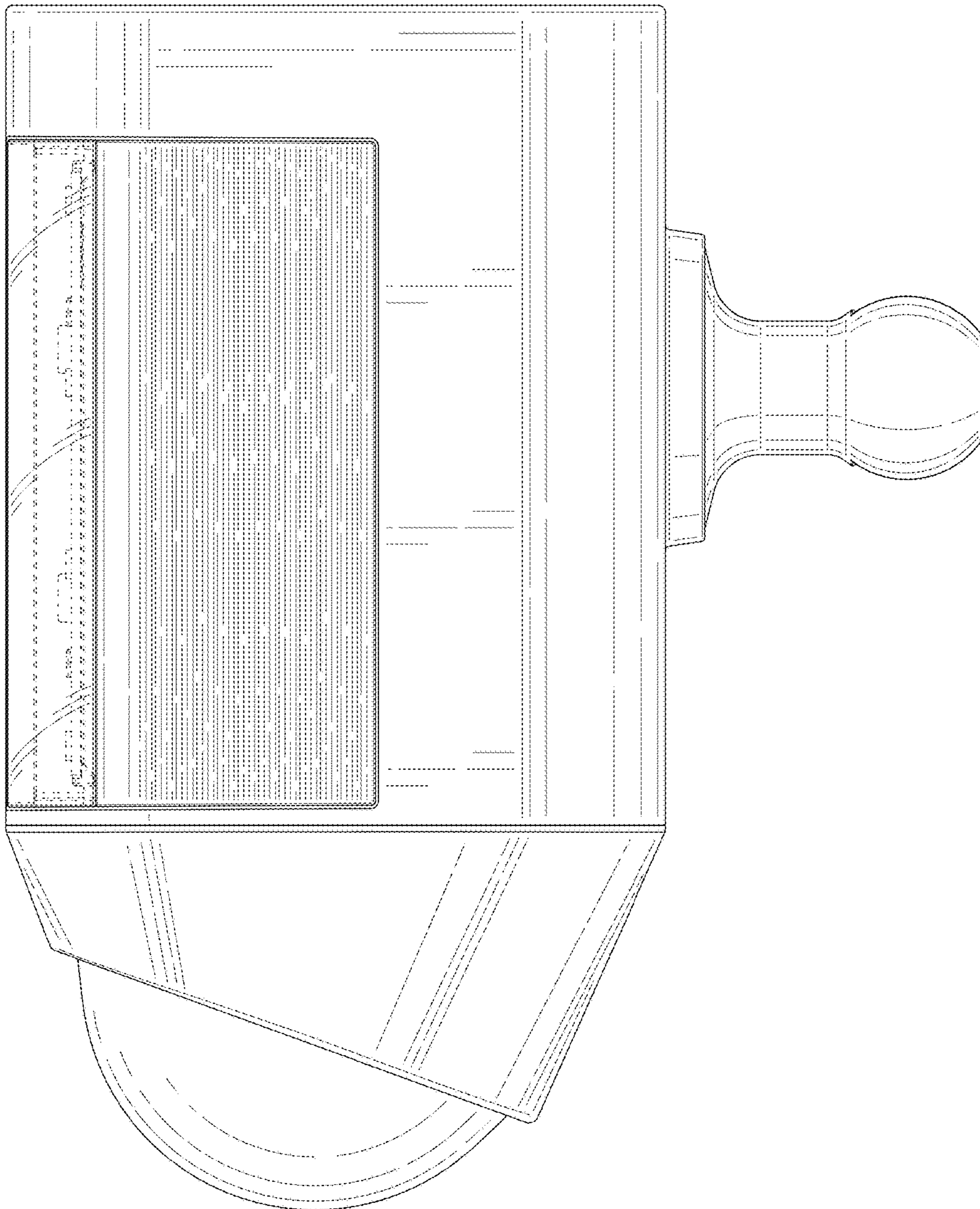


FIG. 5



FIG. 6

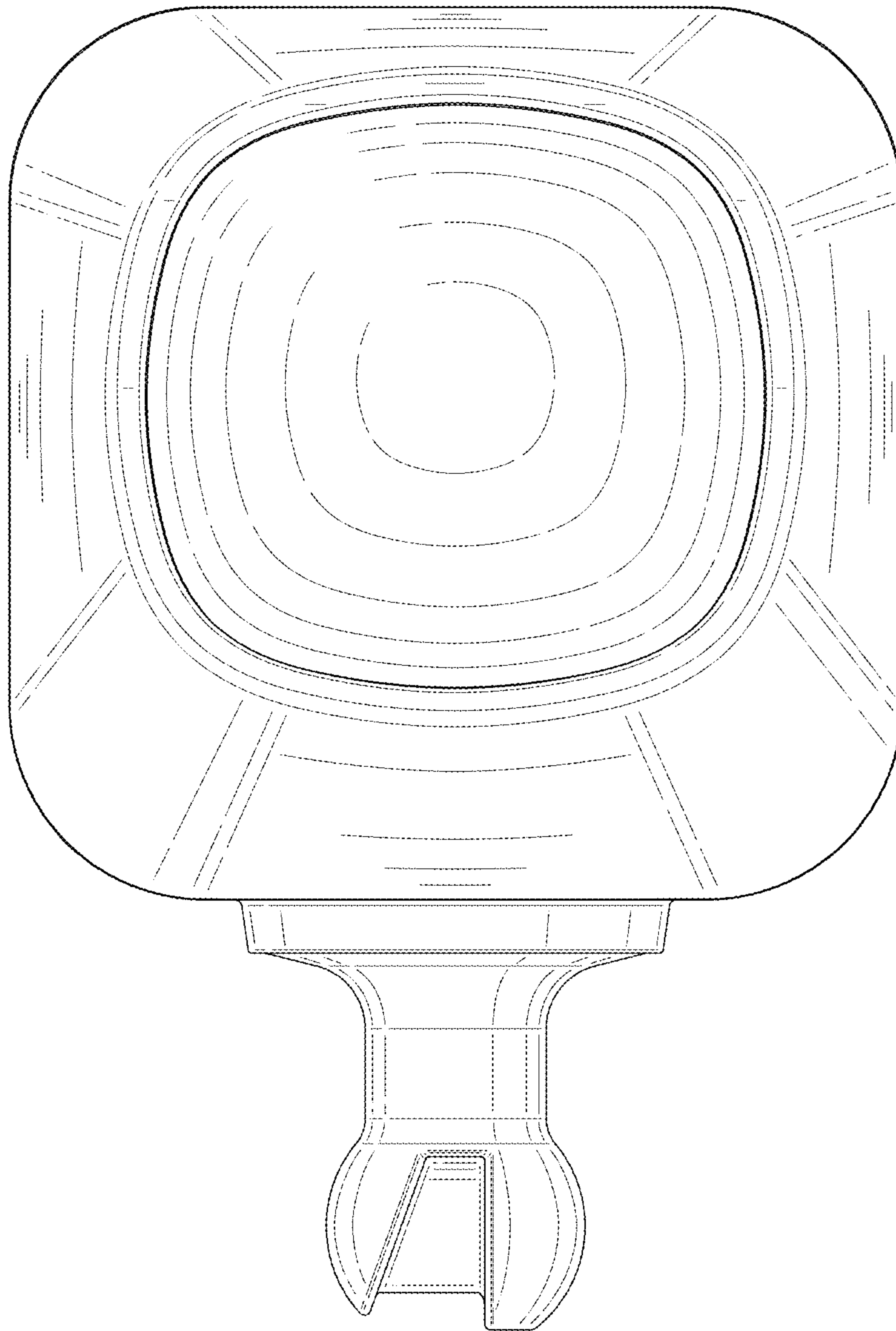


FIG. 7