



US00D839335S

(12) **United States Design Patent**  
**Zhang**

(10) **Patent No.:** **US D839,335 S**  
(45) **Date of Patent:** **\*\* Jan. 29, 2019**

- (54) **CAMCORDER**
- (71) Applicant: **Shenzhen Hongfeng Century Technology Ltd., Shenzhen (CN)**
- (72) Inventor: **Hongbing Zhang, Shenzhen (CN)**
- (\*\*) Term: **15 Years**
- (21) Appl. No.: **29/640,639**
- (22) Filed: **Mar. 15, 2018**

D760,309 S *	6/2016	Parfitt	.....	D16/202
D766,351 S *	9/2016	Li	.....	D16/202
D769,346 S *	10/2016	Nguyen	.....	D16/218
D772,966 S *	11/2016	Song	.....	D16/200
D775,254 S *	12/2016	Parfitt	.....	D16/202
D785,692 S *	5/2017	Wang	.....	D16/200
2003/0035052 A1 *	2/2003	Baron	.....	H04N 5/232 348/207.99
2005/0212959 A1 *	9/2005	Manabe	.....	G02B 7/102 348/375
2006/0233545 A1 *	10/2006	Senba	.....	G03B 17/14 396/529

\* cited by examiner

**Related U.S. Application Data**

- (62) Division of application No. 29/576,533, filed on Sep. 2, 2016, now Pat. No. Des. 816,753.
- (51) **LOC (11) Cl.** ..... **16-01**
- (52) **U.S. Cl.**  
USPC ..... **D16/202**
- (58) **Field of Classification Search**  
USPC ..... D16/200, 202-207, 208-210, 212, 218,  
D16/219; 348/373-376; 396/448, 535,  
396/539-541  
CPC ..... G03B 15/03; G03B 17/02; G03B 17/04;  
G03B 17/56; G03B 19/04; H04N 5/2251;  
H04N 5/2252; H04N 5/2253; H04N  
5/2254; H04N 2101/00  
See application file for complete search history.

*Primary Examiner* — Philip S Hyder  
*Assistant Examiner* — Ramzi S Almatrahi  
(74) *Attorney, Agent, or Firm* — Tsz Lung Yeung

(57) **CLAIM**

The ornamental design for a camcorder, as shown and described.

**DESCRIPTION**

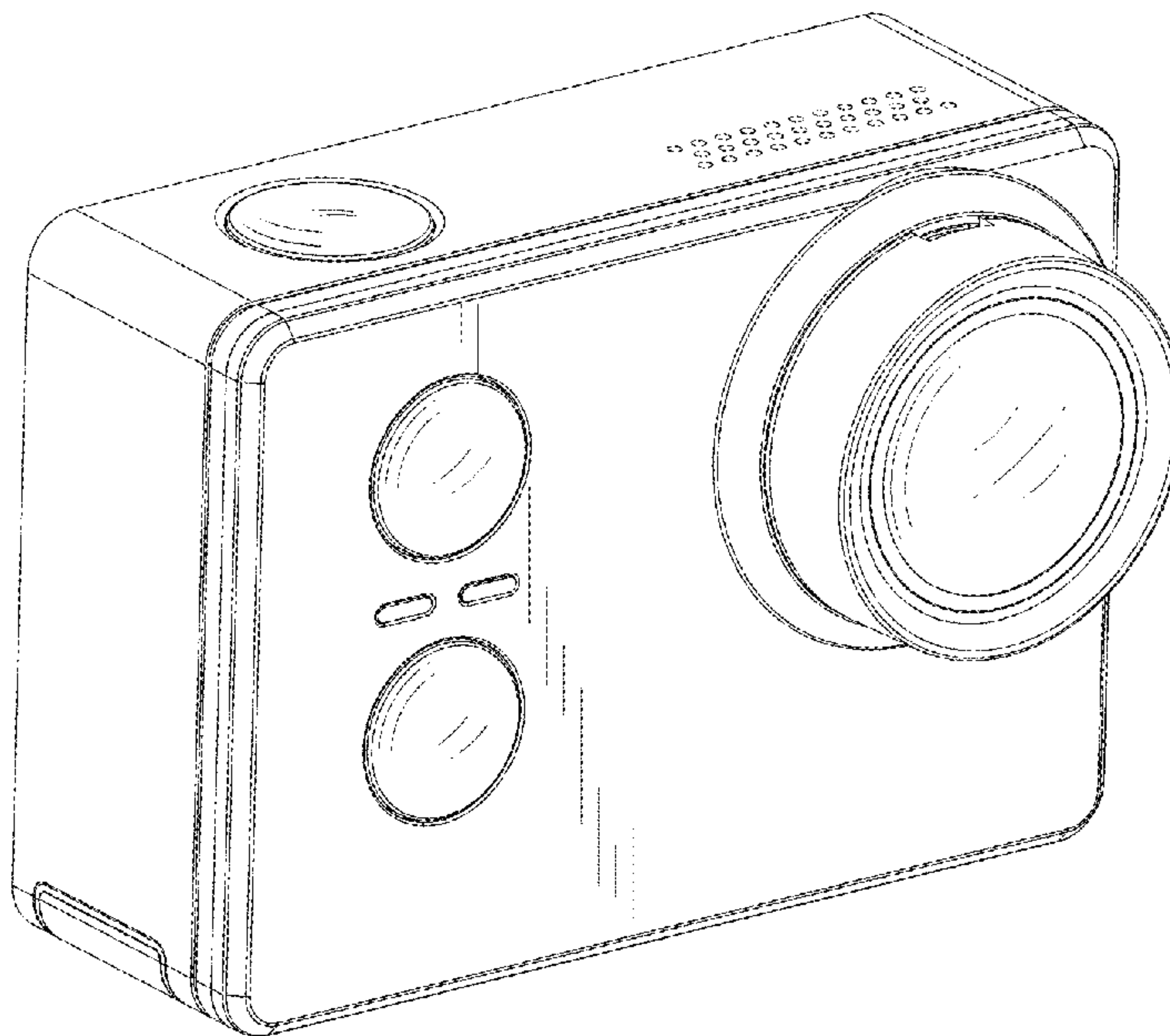
FIG. 1 is a perspective view of a camcorder in accordance with the present design.  
FIG. 2 is a front view thereof.  
FIG. 3 is a rear view thereof.  
FIG. 4 is a left side view thereof.  
FIG. 5 is a right side view thereof.  
FIG. 6 is a top view thereof; and,  
FIG. 7 is a bottom view thereof.  
The broken lines depict portions of the camcorder in which the design is embodied that form no part of the claimed design.

(56) **References Cited**

**U.S. PATENT DOCUMENTS**

D721,395 S *	1/2015	Woodman	.....	D16/218
D737,879 S *	9/2015	Woodman	.....	D16/218
D750,686 S *	3/2016	Chen	.....	D16/218
D751,131 S *	3/2016	Woodman	.....	D16/218

**1 Claim, 7 Drawing Sheets**



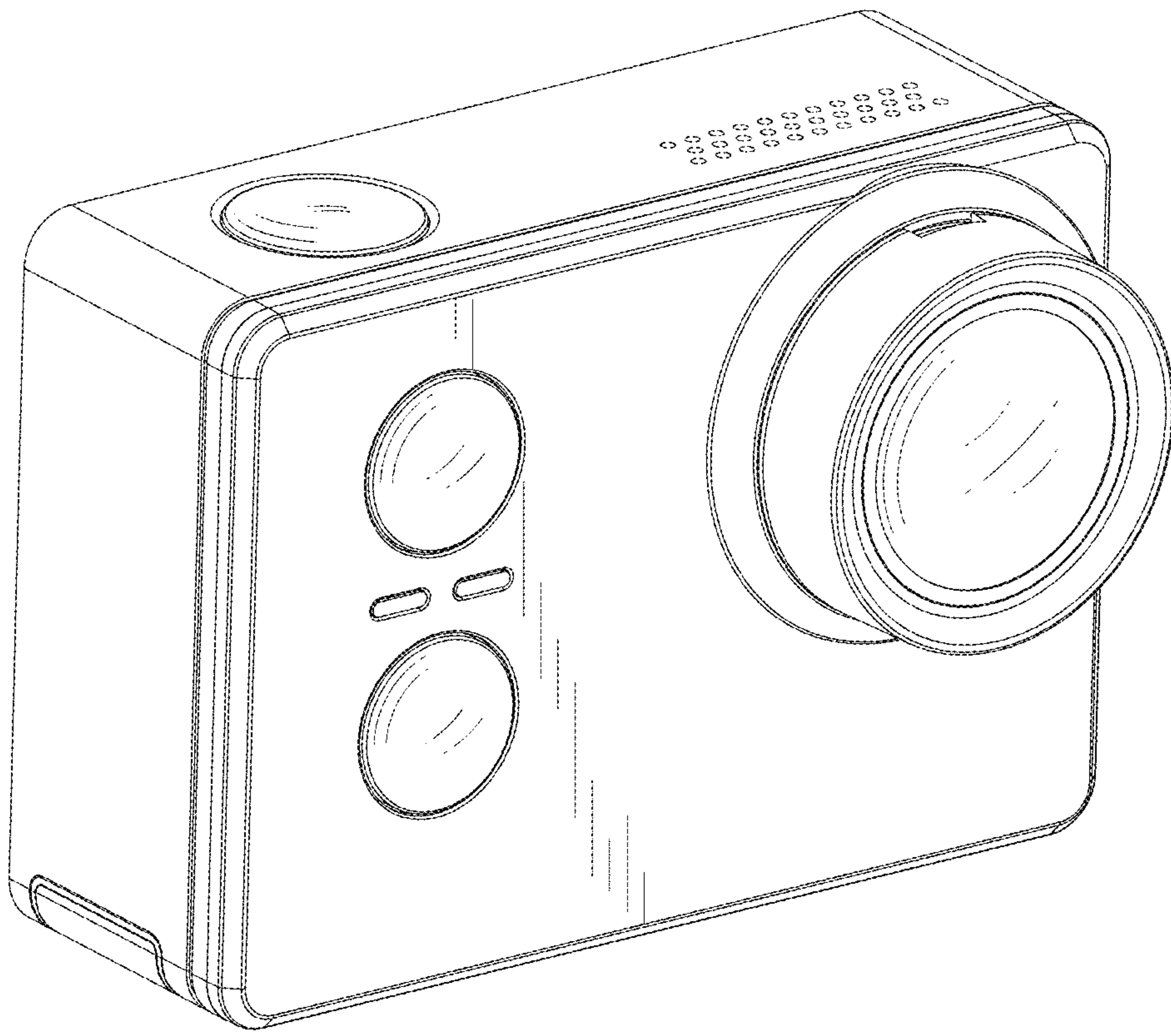


FIG.1

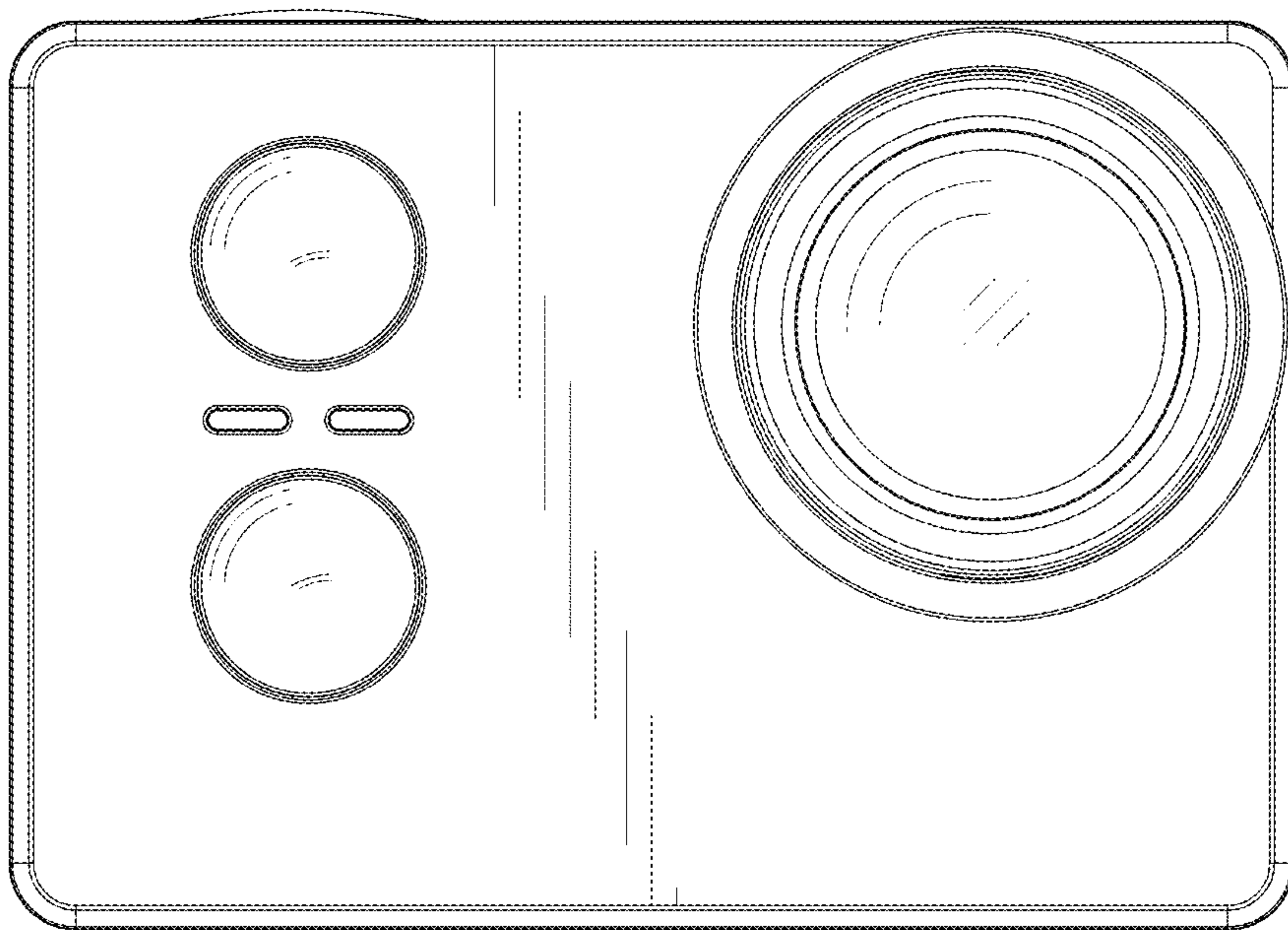


FIG.2

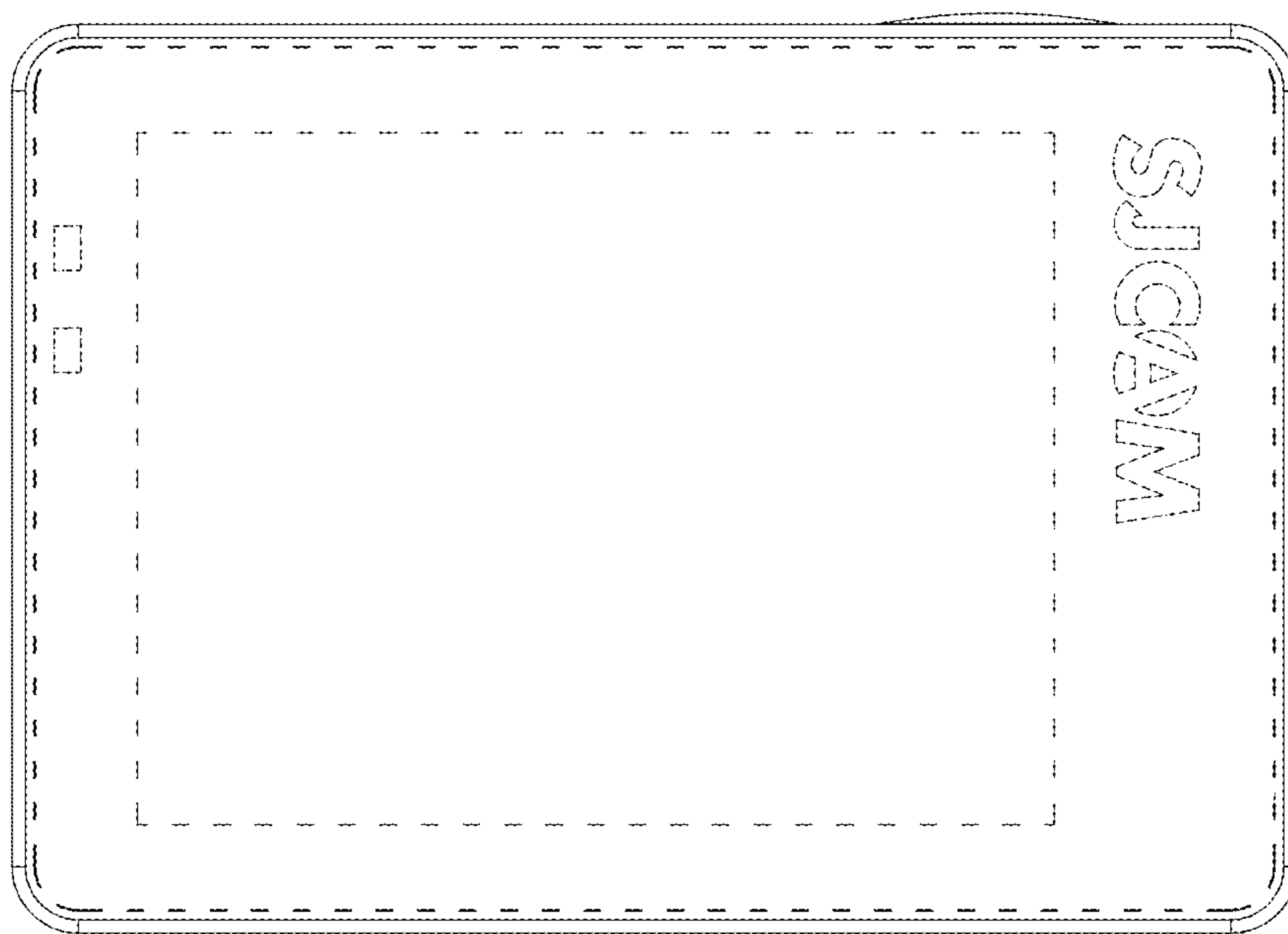


FIG.3

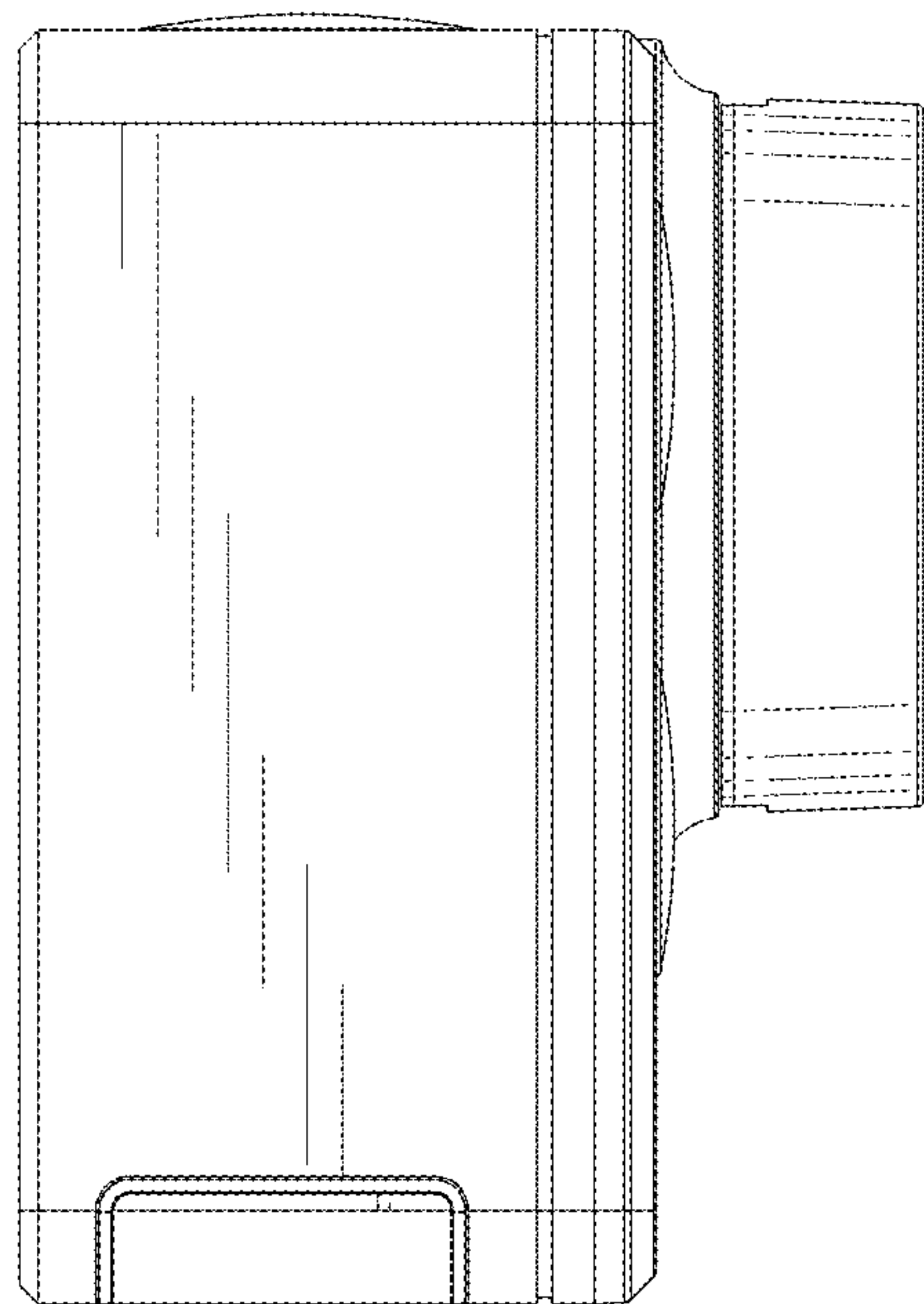


FIG.4

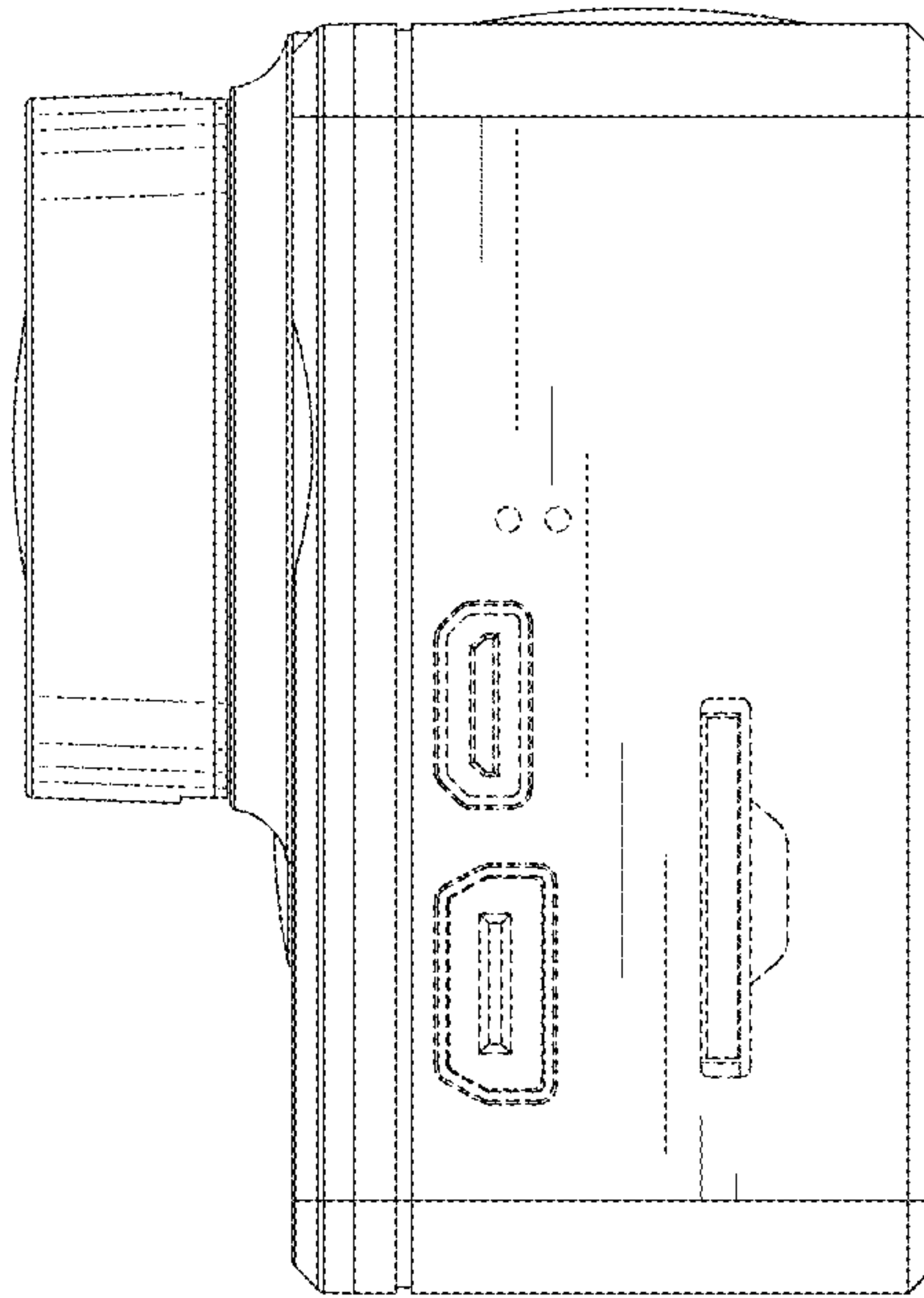


FIG.5



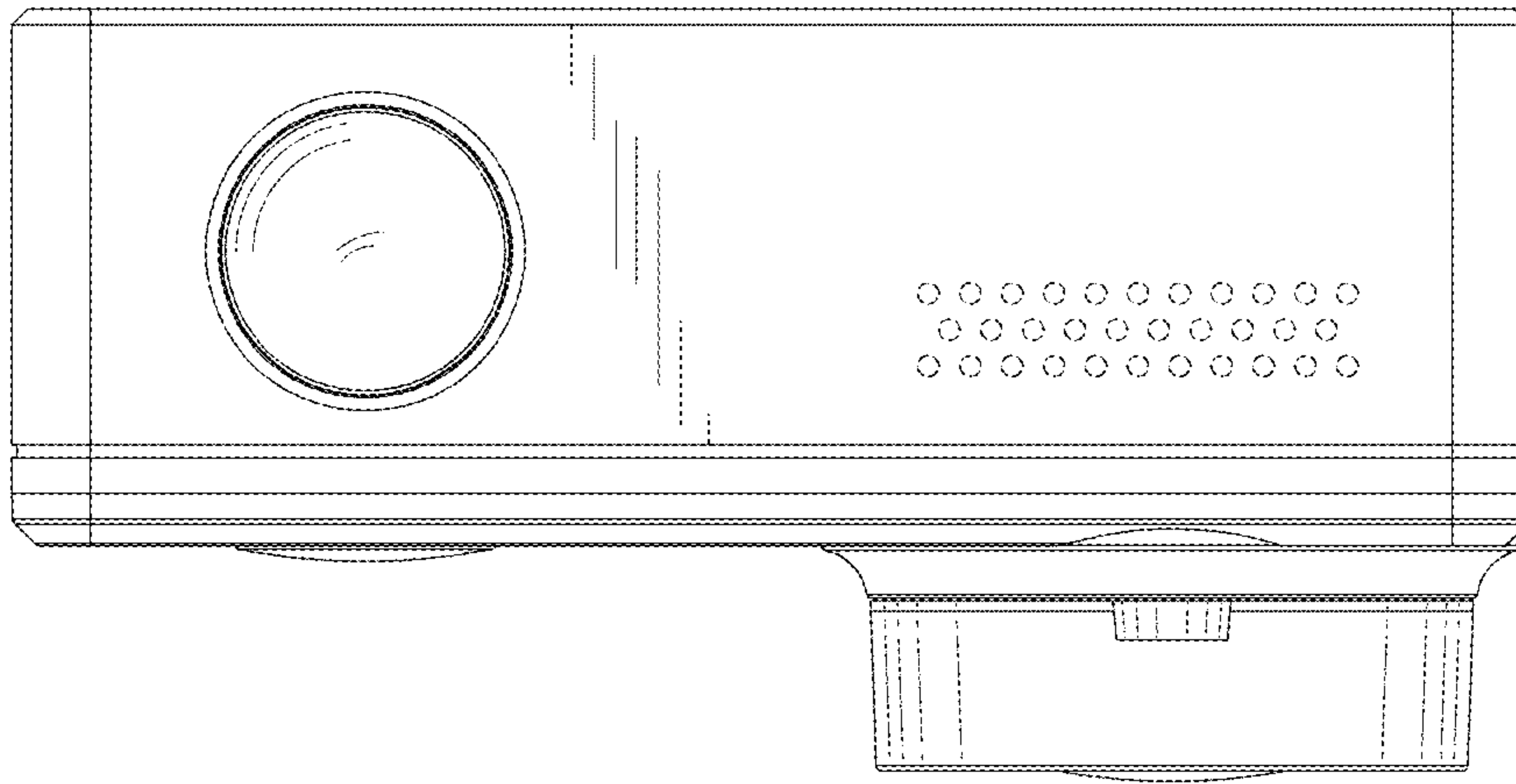


FIG.6

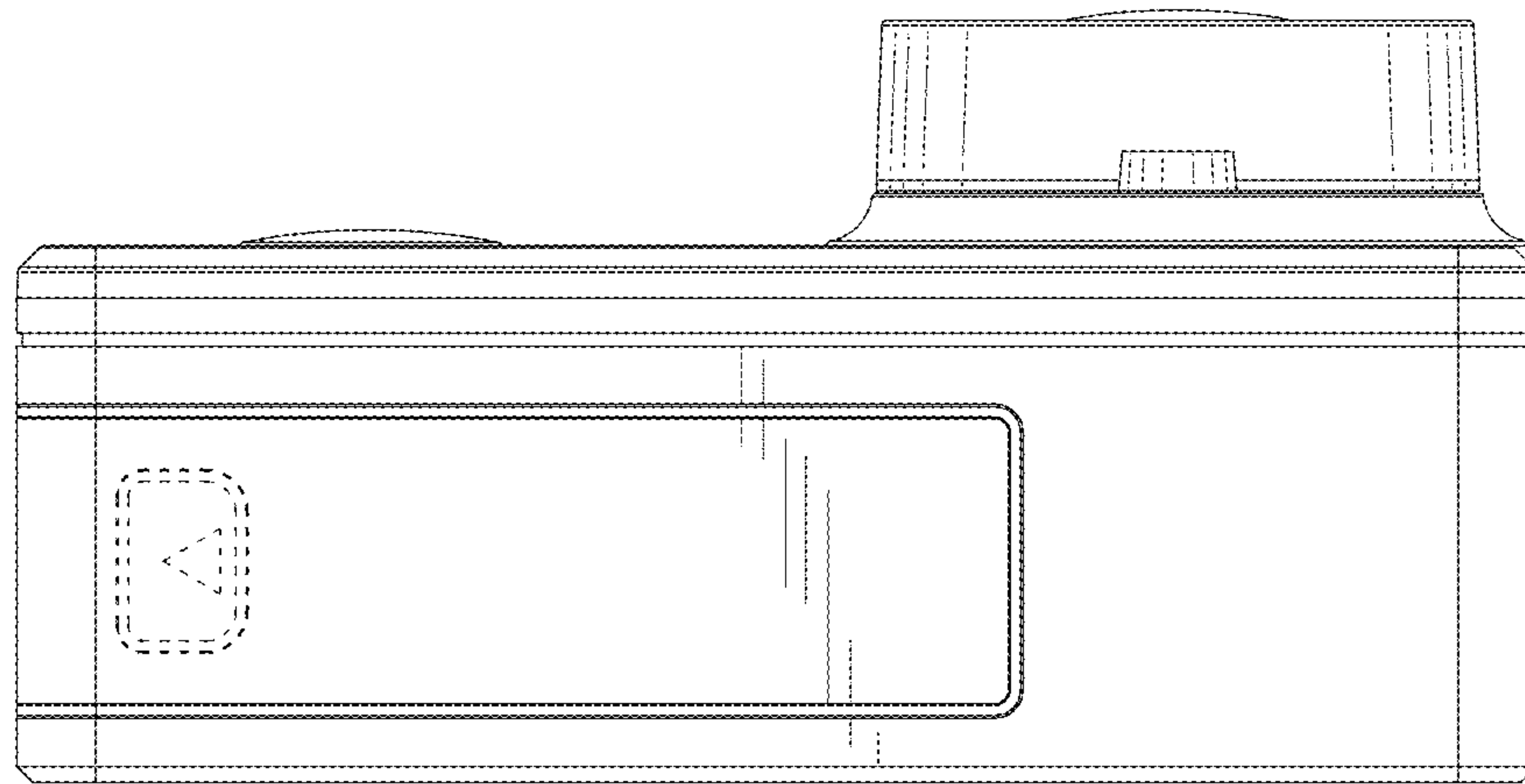


FIG.7