

US00D839328S

(12) **United States Design Patent**  
**Lin**

(10) **Patent No.:** **US D839,328 S**  
(45) **Date of Patent:** **\*\* Jan. 29, 2019**

(54) **ELECTRIC WELDING MACHINE**

(71) Applicant: **Yang Lin**, Taizhou (CN)

(72) Inventor: **Yang Lin**, Taizhou (CN)

(\*\*) Term: **15 Years**

(21) Appl. No.: **29/585,738**

(22) Filed: **Nov. 28, 2016**

(30) **Foreign Application Priority Data**

Jul. 30, 2016 (CN) ..... 2016 3 0358459

(51) **LOC (11) Cl.** ..... **15-09**

(52) **U.S. Cl.**  
USPC ..... **D15/144**

(58) **Field of Classification Search**  
USPC ..... 8/29.1, 30; 15/144, 144.1, 144.2  
CPC ..... B23K 9/32; B23K 9/028; B23K 9/1006;  
B23K 9/1735; B23K 11/28; B23K 37/053  
See application file for complete search history.

(56) **References Cited**

**U.S. PATENT DOCUMENTS**

- D243,459 S \* 2/1977 Bliss ..... D15/144
- 5,642,260 A \* 6/1997 Sigl ..... B23K 9/32  
174/16.1
- 5,734,148 A \* 3/1998 Latvis ..... B23K 9/32  
219/133
- D416,030 S \* 11/1999 Weller ..... D15/144.1
- 6,163,085 A \* 12/2000 Sigl ..... B23K 9/32  
307/43
- D467,257 S \* 12/2002 Andersson ..... D15/144
- 6,489,591 B1 \* 12/2002 Achtner ..... B23K 9/32  
219/130.1
- D520,038 S \* 5/2006 Ljungfeldt ..... D15/144.1
- D569,884 S \* 5/2008 Shu ..... D15/144
- D626,576 S \* 11/2010 Gramatyka ..... D15/144
- D665,833 S \* 8/2012 Raymond ..... D15/144

- 9,636,768 B2 \* 5/2017 Rozmarynowski .... B23K 10/00
- 2004/0026393 A1 \* 2/2004 Matiash ..... B23K 9/124  
219/137.2
- 2005/0045608 A1 \* 3/2005 Sykes ..... B23K 9/1006  
219/130.5
- 2005/0263514 A1 \* 12/2005 Albrecht ..... B23K 9/1006  
219/133
- 2006/0274499 A1 \* 12/2006 Andersen ..... B23K 9/32  
361/688
- 2007/0235428 A1 \* 10/2007 Schneider ..... B23K 9/013  
219/121.54
- 2009/0101630 A1 \* 4/2009 Trinkner ..... B23K 9/1006  
219/133
- 2009/0159581 A1 \* 6/2009 Sommerfeld ..... B23K 9/32  
219/133
- 2009/0188902 A1 \* 7/2009 Swartz ..... B23K 9/32  
219/130.1
- 2010/0314372 A1 \* 12/2010 DuVal ..... B23K 9/1006  
219/133

(Continued)

*Primary Examiner* — Patricia A Palasik

(74) *Attorney, Agent, or Firm* — Sarika Singh; McNeely, Hare & War LLP.

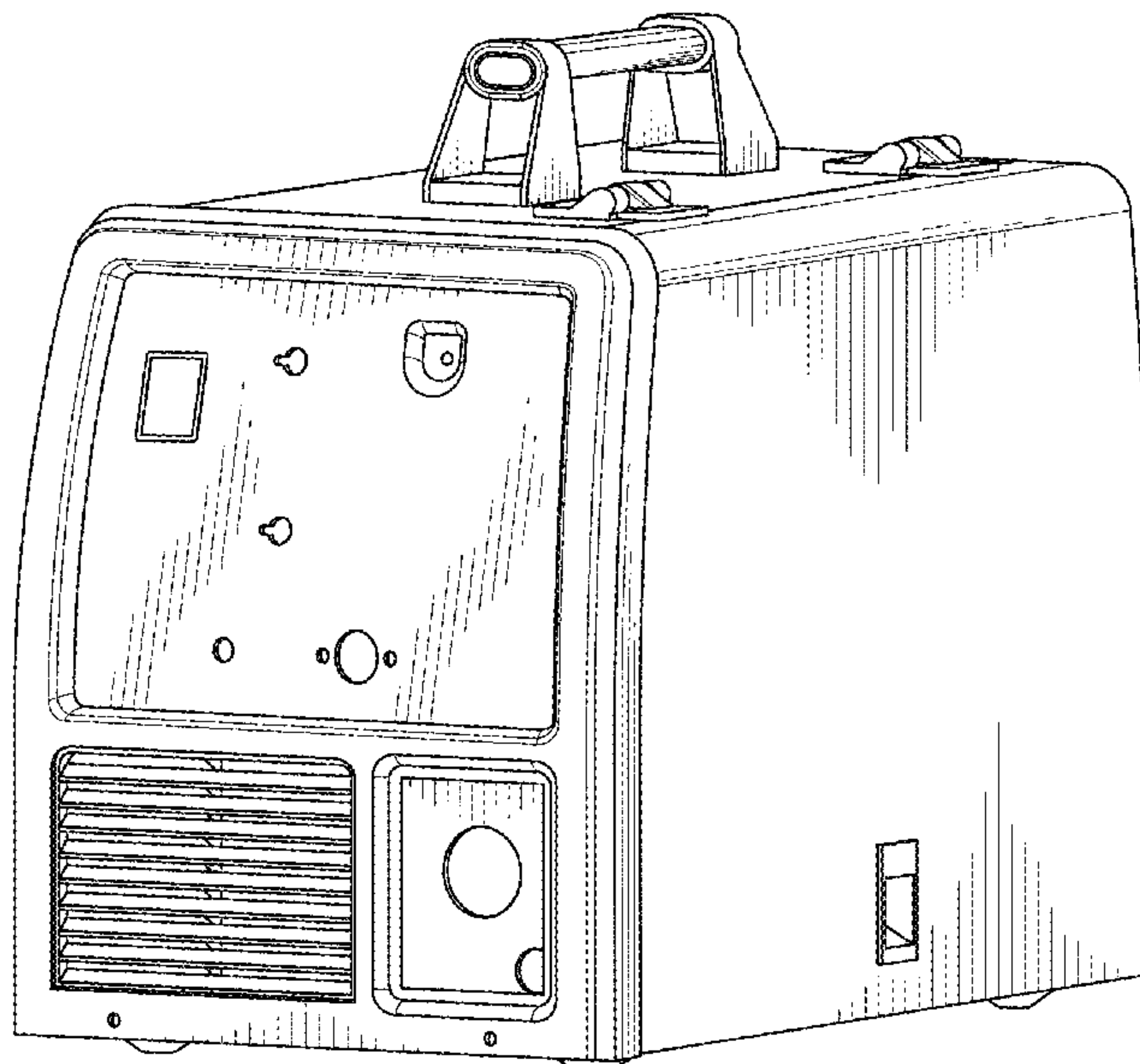
(57) **CLAIM**

The ornamental design for an electric welding machine, as shown and described.

**DESCRIPTION**

FIG. 1 is a front view of an electric welding machine showing my new design;  
FIG. 2 is a back view thereof;  
FIG. 3 is a left view thereof;  
FIG. 4 is a right view thereof;  
FIG. 5 is a top view thereof;  
FIG. 6 is a bottom view thereof; and,  
FIG. 7 is a perspective view thereof.  
The broken lines in the drawings depict unclaimed environmental subject matter.

**1 Claim, 7 Drawing Sheets**



(56)

**References Cited**

U.S. PATENT DOCUMENTS

2011/0198330 A1\* 8/2011 Knoener ..... B23K 9/10  
219/130.31  
2014/0061169 A1\* 3/2014 Sammons ..... B23K 9/1006  
219/109  
2014/0376186 A1\* 12/2014 Sigl ..... B23K 9/32  
361/695  
2015/0273607 A1\* 10/2015 Denis ..... B23K 9/1006  
219/133  
2017/0036290 A1\* 2/2017 Enyedy ..... B23K 9/1006

\* cited by examiner

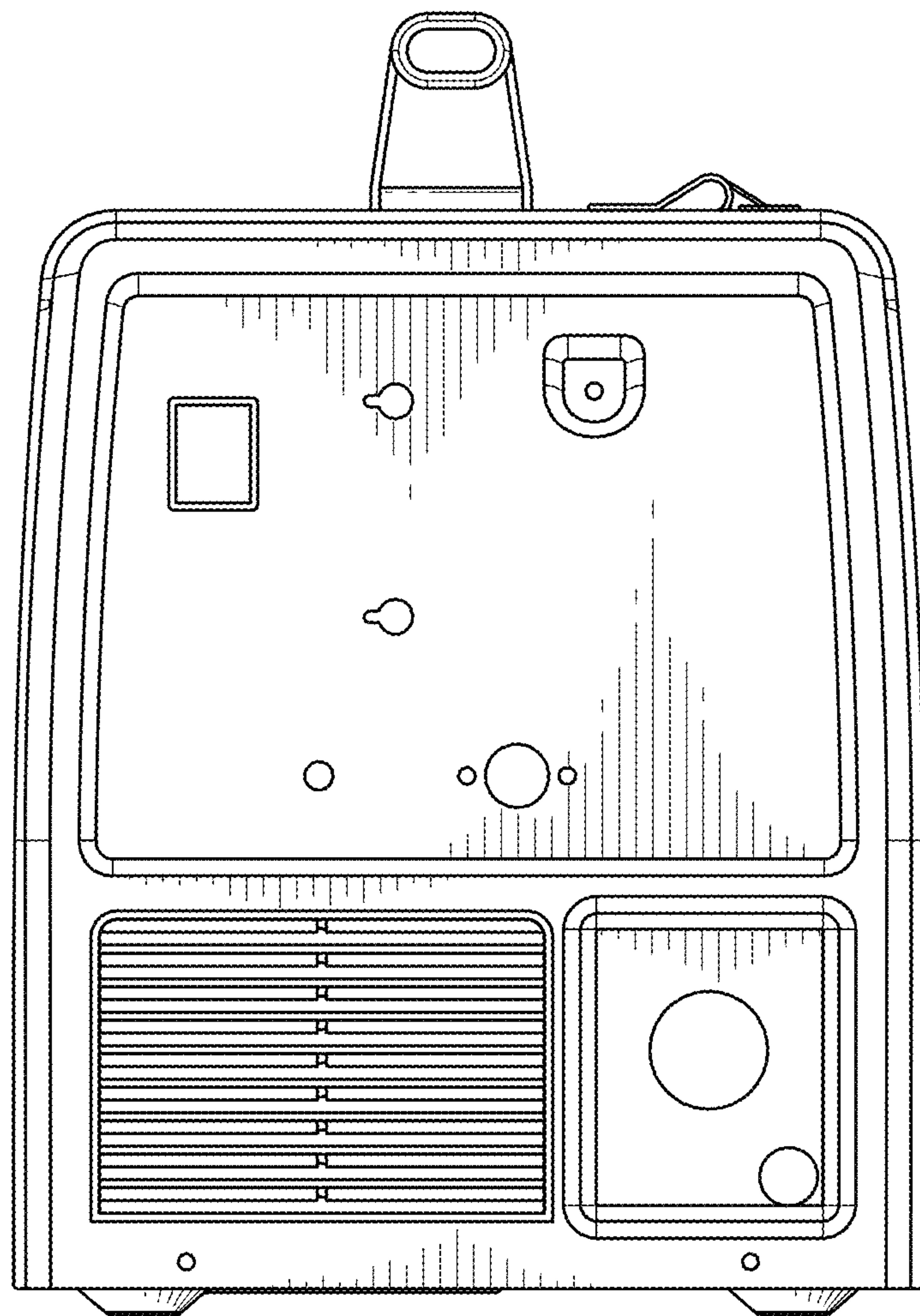


FIG. 1

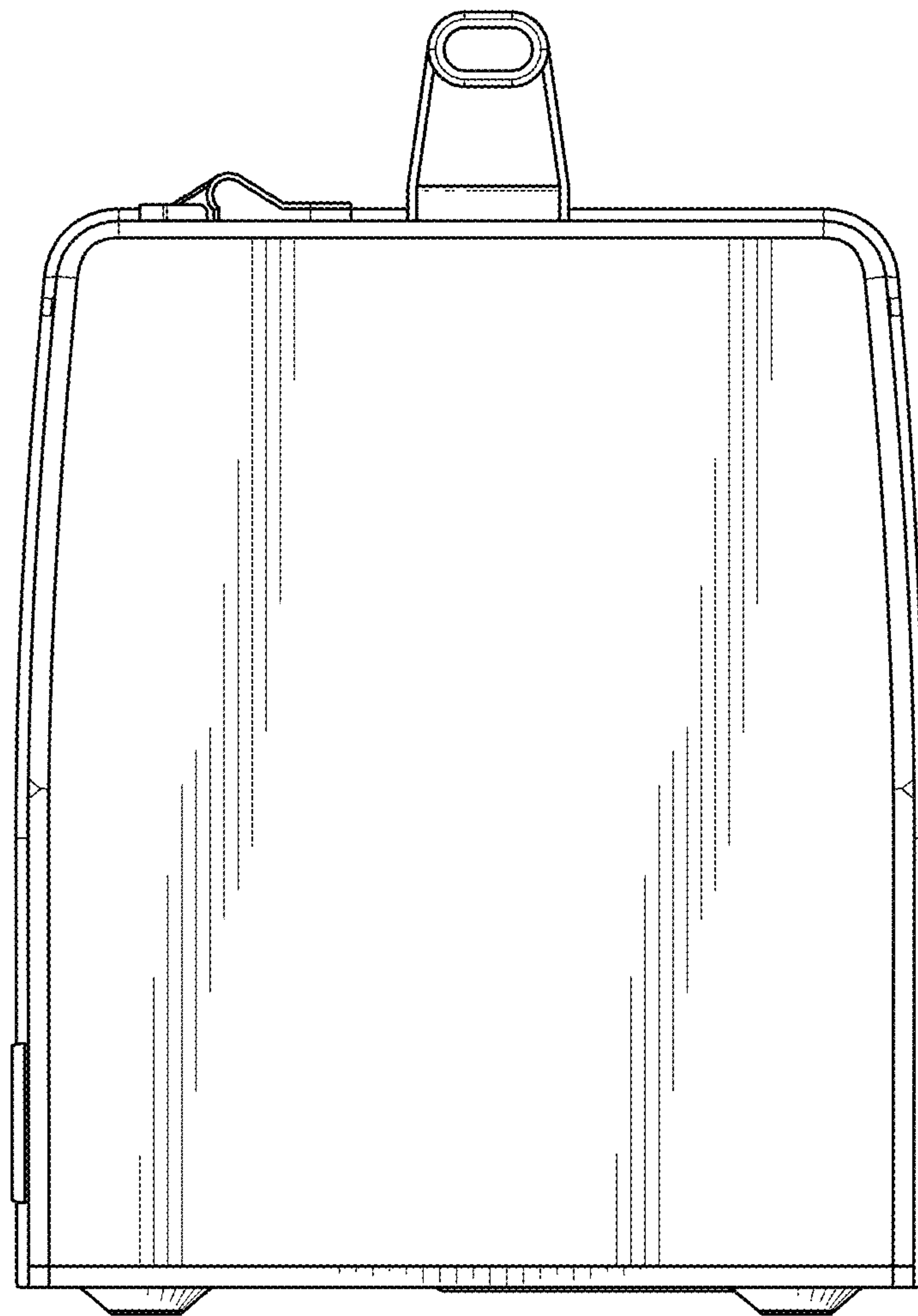


FIG. 2

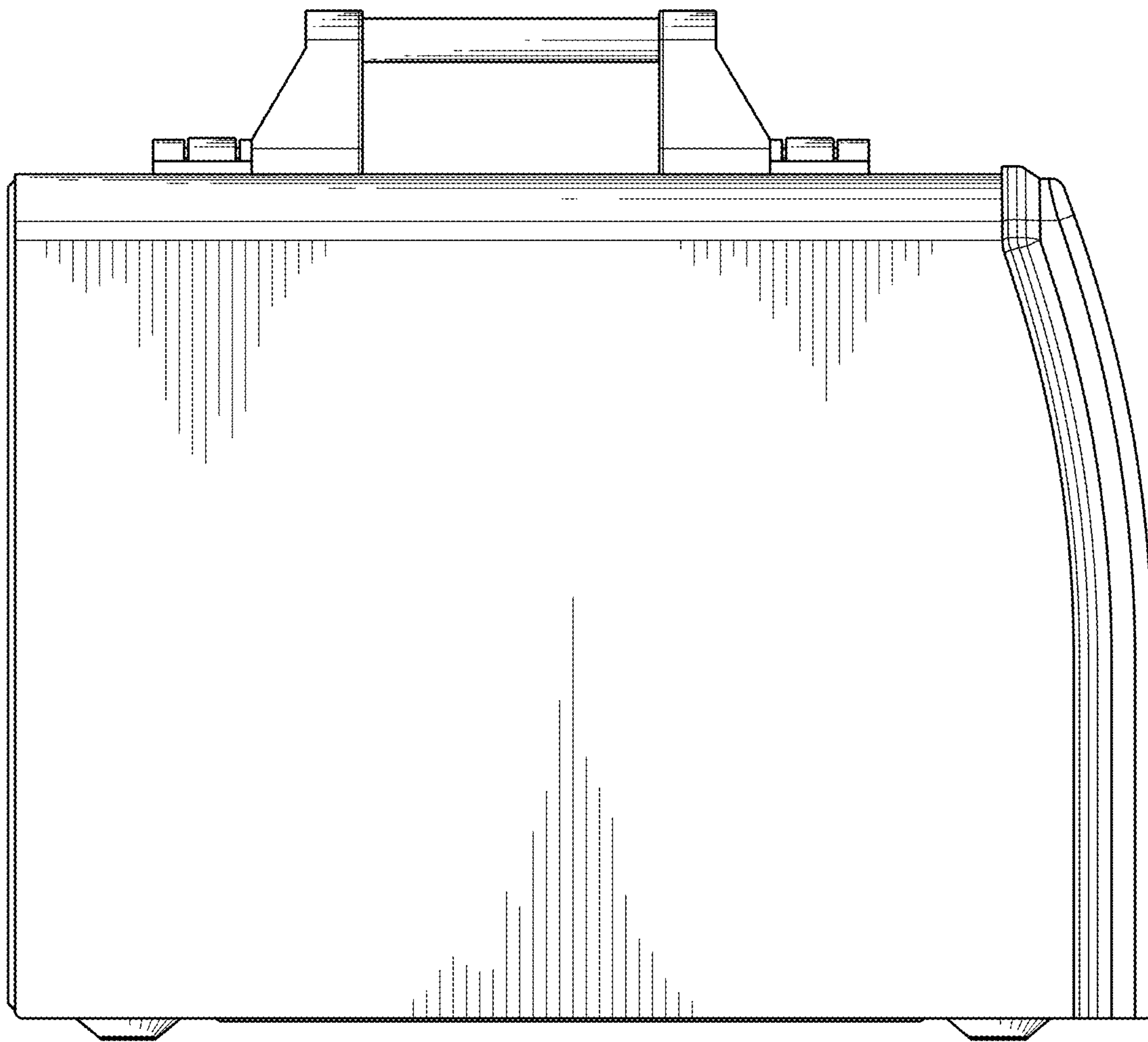


FIG. 3

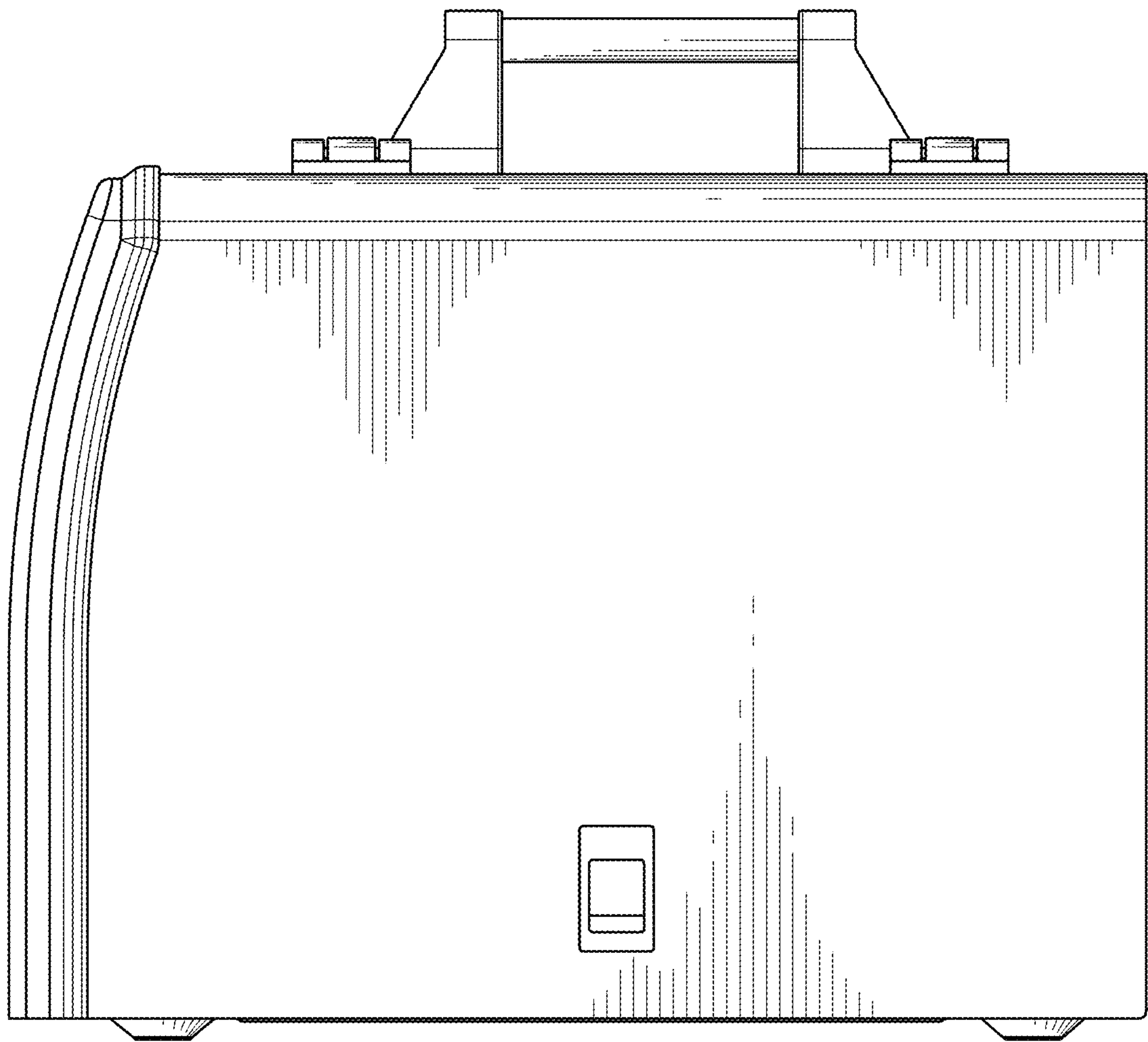


FIG. 4



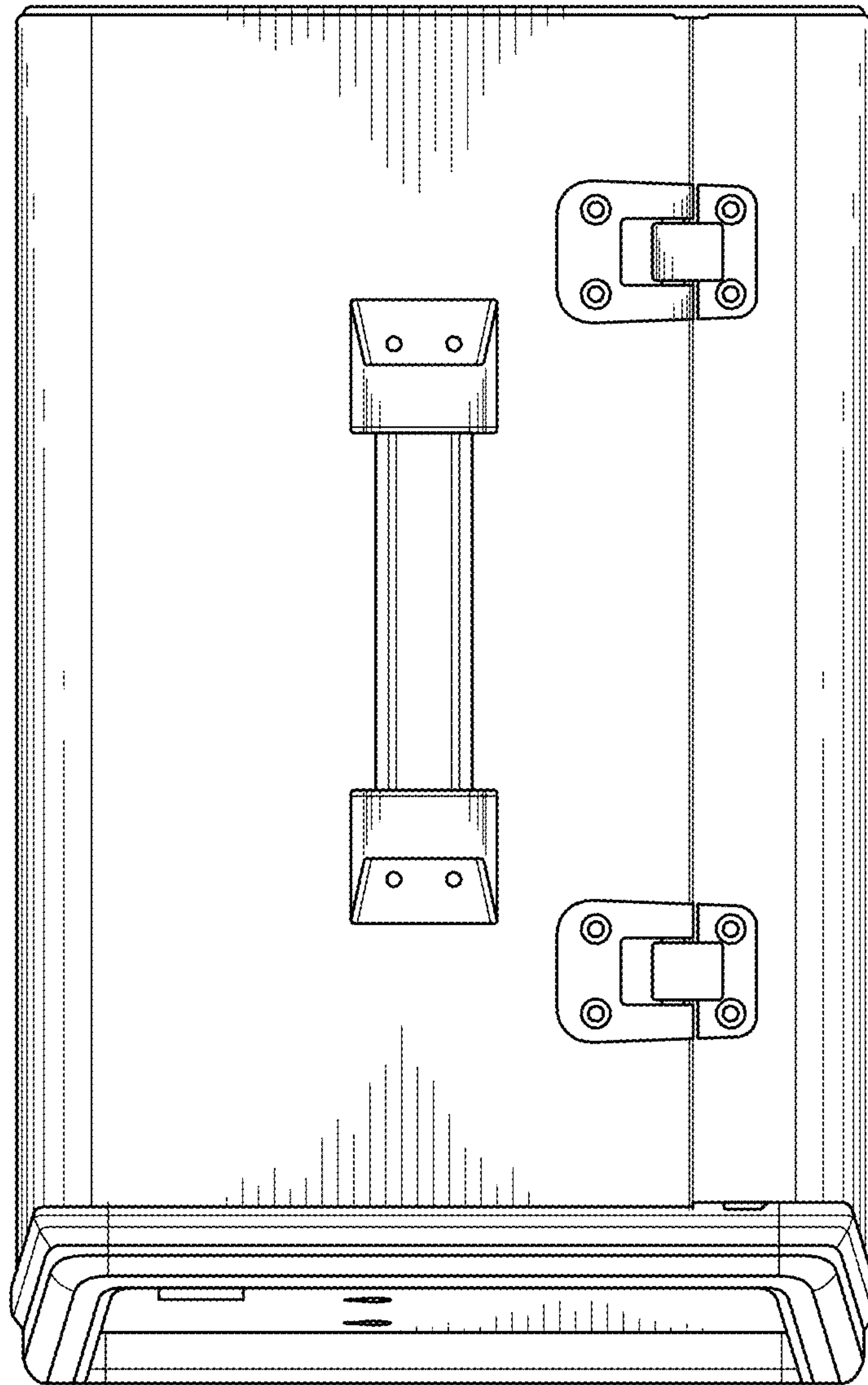


FIG. 5

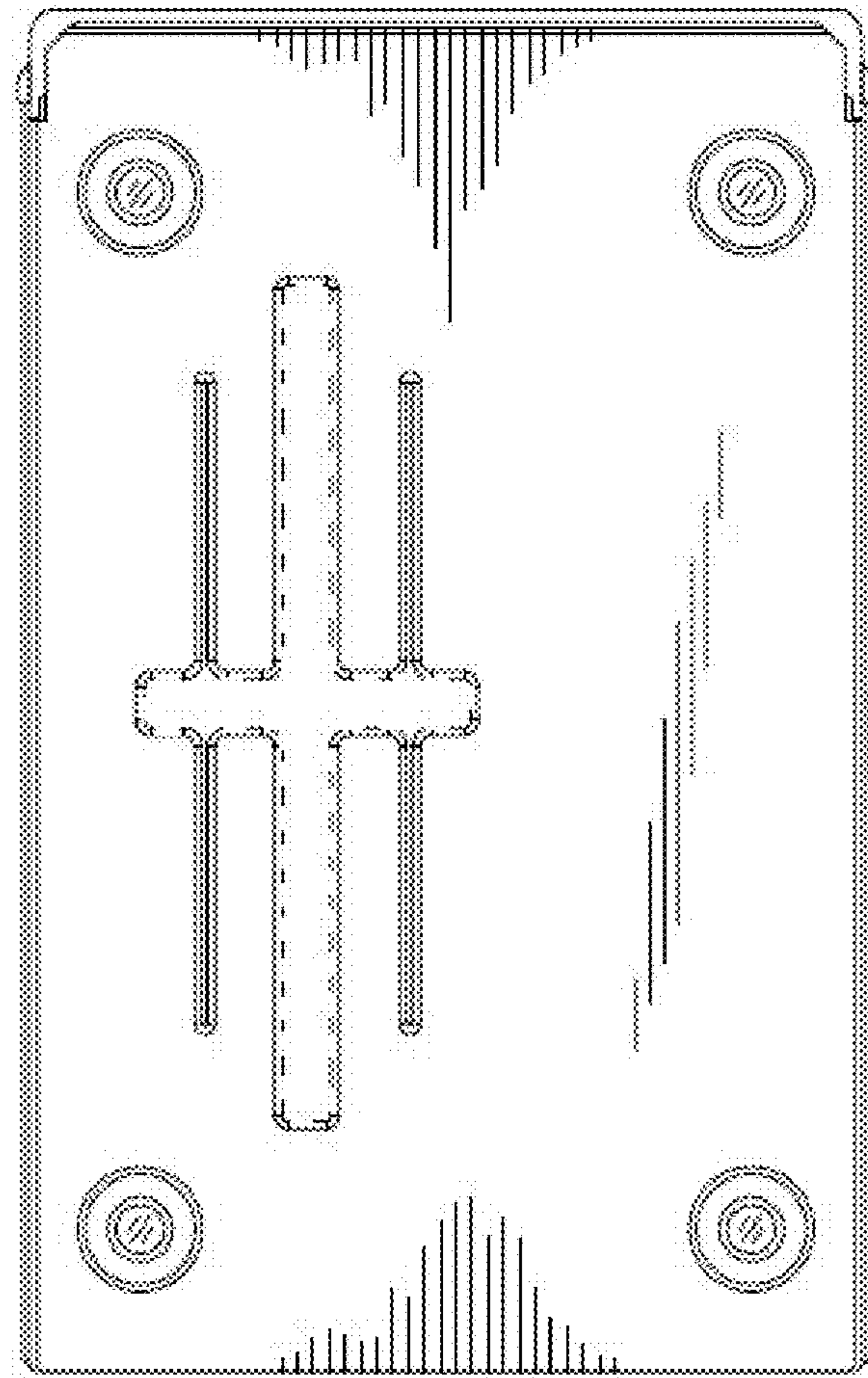


Fig. 6



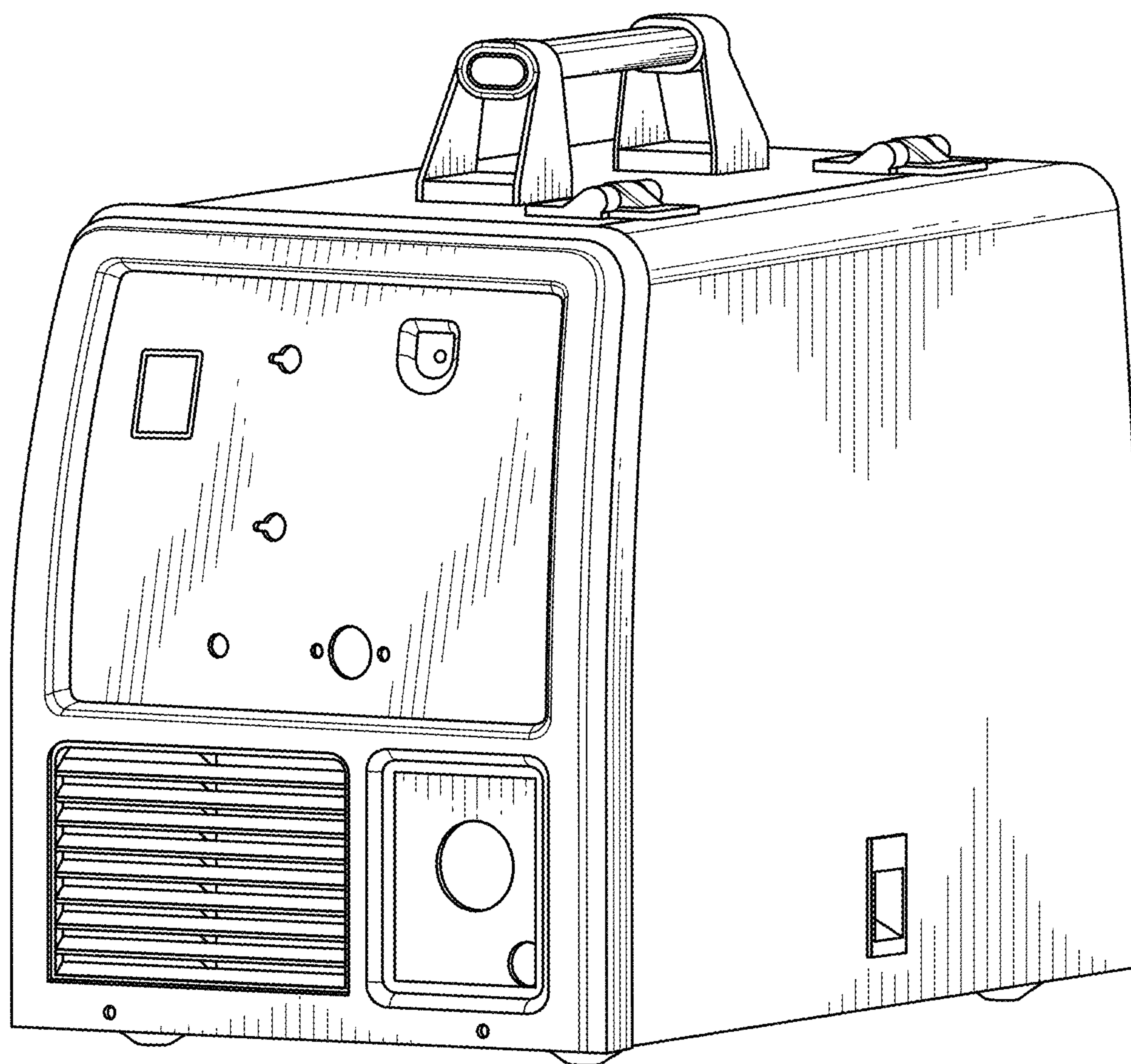


FIG. 7