

US00D839327S

(12) **United States Design Patent**
Kodama

(10) **Patent No.:** **US D839,327 S**

(45) **Date of Patent:** **** Jan. 29, 2019**

(54) **CONTAINER FOR STORING MOLTEN METAL**

(71) Applicant: **HOEI SHOKAI CO., LTD.**, Aichi (JP)

(72) Inventor: **Yasuyuki Kodama**, Aichi (JP)

(73) Assignee: **HOEI SHOKAI CO., LTD.**, Toyota-shi, Aichi (JP)

(**) Term: **15 Years**

(21) Appl. No.: **29/562,511**

(22) Filed: **Apr. 26, 2016**

(30) **Foreign Application Priority Data**

Oct. 26, 2015 (JP) 2015-023767

(51) **LOC (11) Cl.** **15-09**

(52) **U.S. Cl.**
USPC **D15/144**

(58) **Field of Classification Search**
USPC D15/144, 144.1, 144.2; 222/591, 597,
222/598, 601; 266/45, 218, 224, 230,
266/236, 265, 275, 286

CPC B22D 35/00; B22D 41/14; F27B 17/005;
F27B 14/10; C22B 21/0084; C23C 2/003
See application file for complete search history.

(56) **References Cited**

U.S. PATENT DOCUMENTS

- 1,981,699 A * 11/1934 Hill C23C 2/003
266/275
- D152,323 S * 1/1949 Chapman D15/144.1
- D201,523 S * 6/1965 Ziegelmaier D15/144.1
- 3,211,443 A * 10/1965 Starner B22D 41/00
266/236
- 3,786,162 A * 1/1974 Colson F27D 11/02
219/390
- 4,692,593 A * 9/1987 Chiu H05B 3/0014
219/399

5,498,852 A * 3/1996 Cress F27B 17/02
108/110

5,910,006 A * 6/1999 Conroy F27B 17/02
432/250

D460,091 S * 7/2002 Mizuno D15/144.1

D484,897 S * 1/2004 Hohenshelt D15/144.1

D528,573 S * 9/2006 Aoki D15/144.1

(Continued)

OTHER PUBLICATIONS

“Mansell and Associates.” Found online Mar. 15, 2018 at www.mansellandassociates.com. Page dated Feb. 3, 2012. Retrieved from URL: <https://web.archive.org/web/20120203095036/http://www.mansellandassociates.net/HotMetalPotTransferCrucibles.html> (Year: 2012).*

(Continued)

Primary Examiner — Garth Rademaker

Assistant Examiner — Katelin G Kloberg

(74) *Attorney, Agent, or Firm* — Saliwanchik, Lloyd & Eisenschenk

(57) **CLAIM**

The ornamental design for a container for storing molten metal, as shown and described.

DESCRIPTION

FIG. 1 is a perspective view of a container for storing molten metal showing my new design;

FIG. 2 is a front elevational view thereof;

FIG. 3 is a rear elevational view thereof;

FIG. 4 is a right side elevational view thereof;

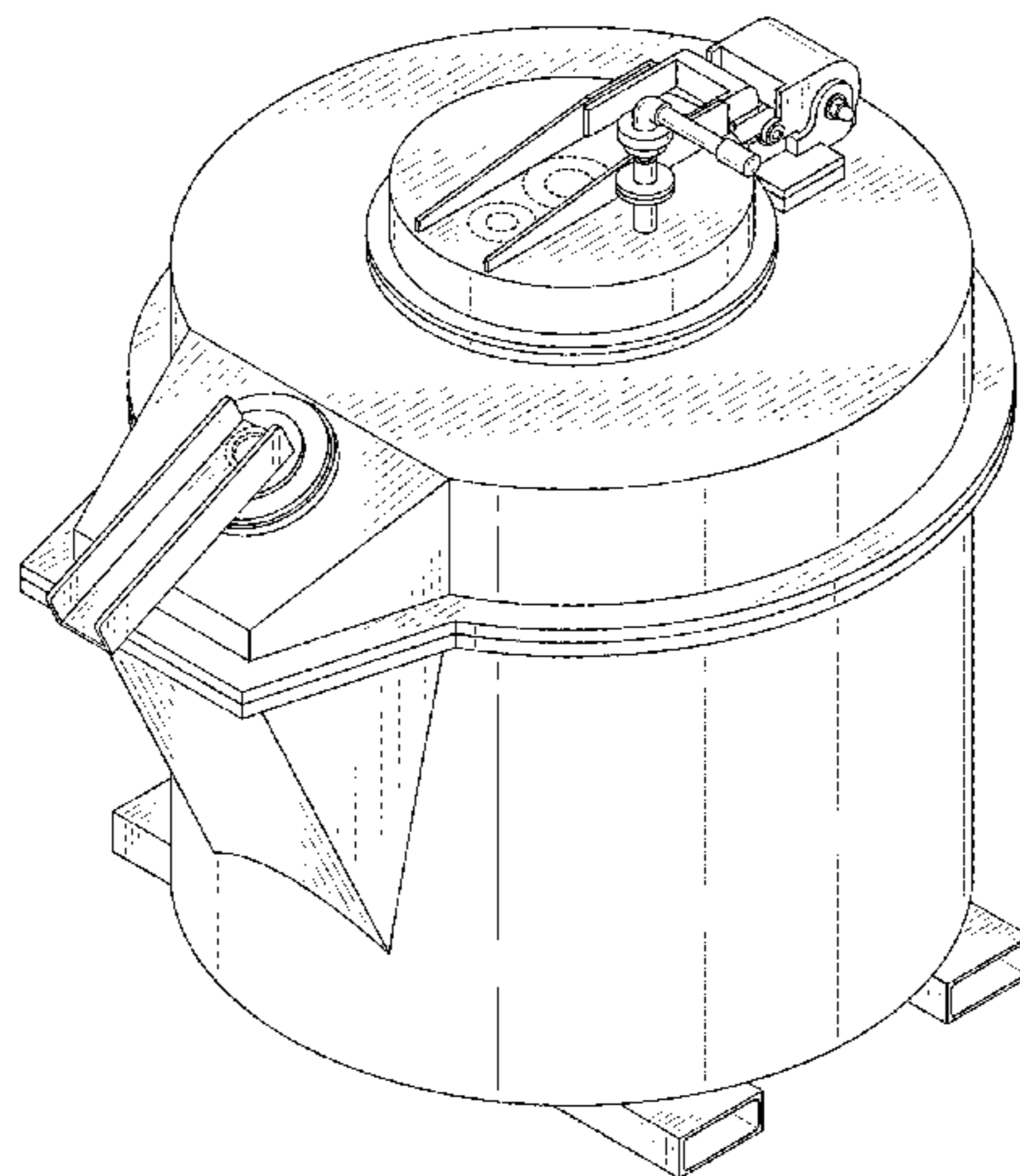
FIG. 5 is a left side elevational view thereof;

FIG. 6 is a top plan view thereof; and,

FIG. 7 is a bottom plan view thereof.

The broken lines in the drawings depict portions of the container for storing molten metal and forms no part of the claimed design.

1 Claim, 7 Drawing Sheets



(56)

References Cited

U.S. PATENT DOCUMENTS

D529,058 S * 9/2006 Aoki D15/144.1
7,611,664 B2 * 11/2009 Mizuno B22D 41/00
164/337
2004/0115583 A1 * 6/2004 Hohenshelt F27B 17/005
432/156
2006/0121404 A1 * 6/2006 Alipour F27B 5/16
432/156
2008/0246196 A1 * 10/2008 Mizuno B22D 35/00
266/275
2015/0136581 A1 * 5/2015 Aupperle C10L 5/442
202/93

OTHER PUBLICATIONS

“Thermsys—Thermal Systech.” Found online Mar. 15, 2018 at thermsysgroup.com. Page dated Apr. 3, 2016. Retrieved from URL: <https://web.archive.org/web/20160403112212/http://thermsysgroup.com/non-ferrous-metal-melting-holding-crucible-furnaces.html> (Year: 2016).*

“Magnesium Melting Furnaces.” Found online at www.thermtronix.com. Page dated Sep. 10, 2016. Retrieved from URL: <https://web.archive.org/web/20160910214727/http://www.thermtronix.com/magnesium-melting.html> (Year: 2016).*

* cited by examiner

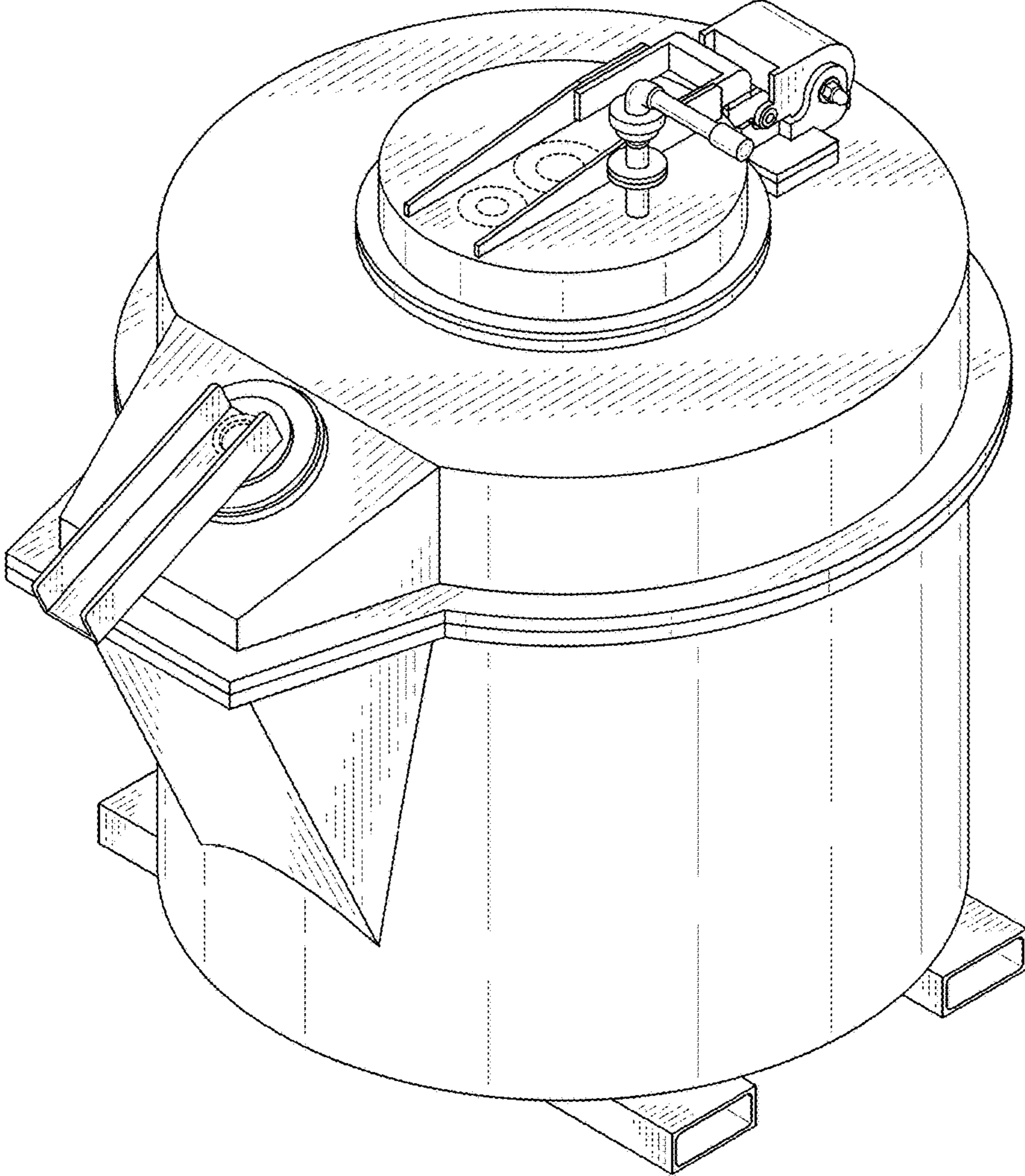


FIG.1

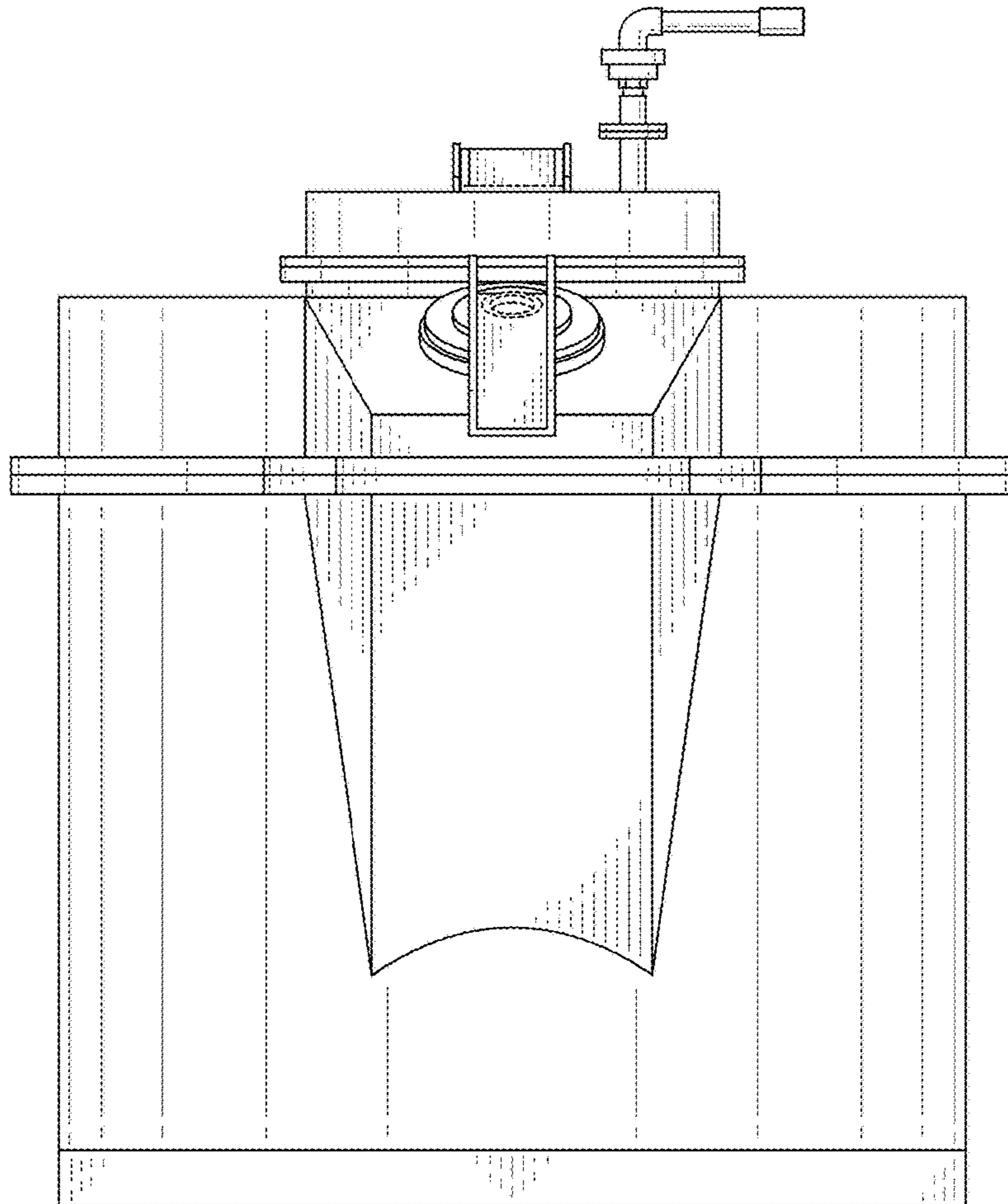


FIG.2

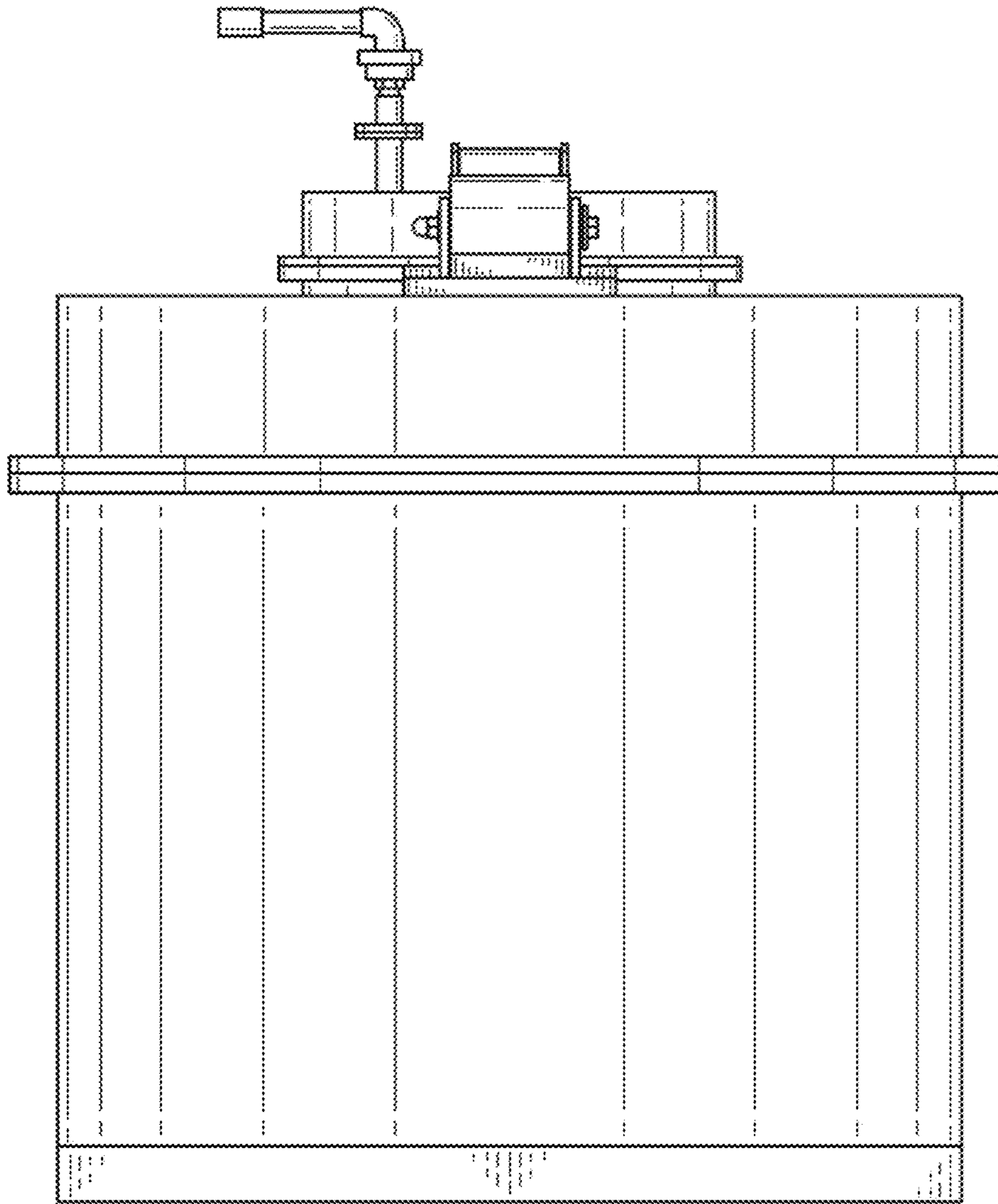


FIG. 3

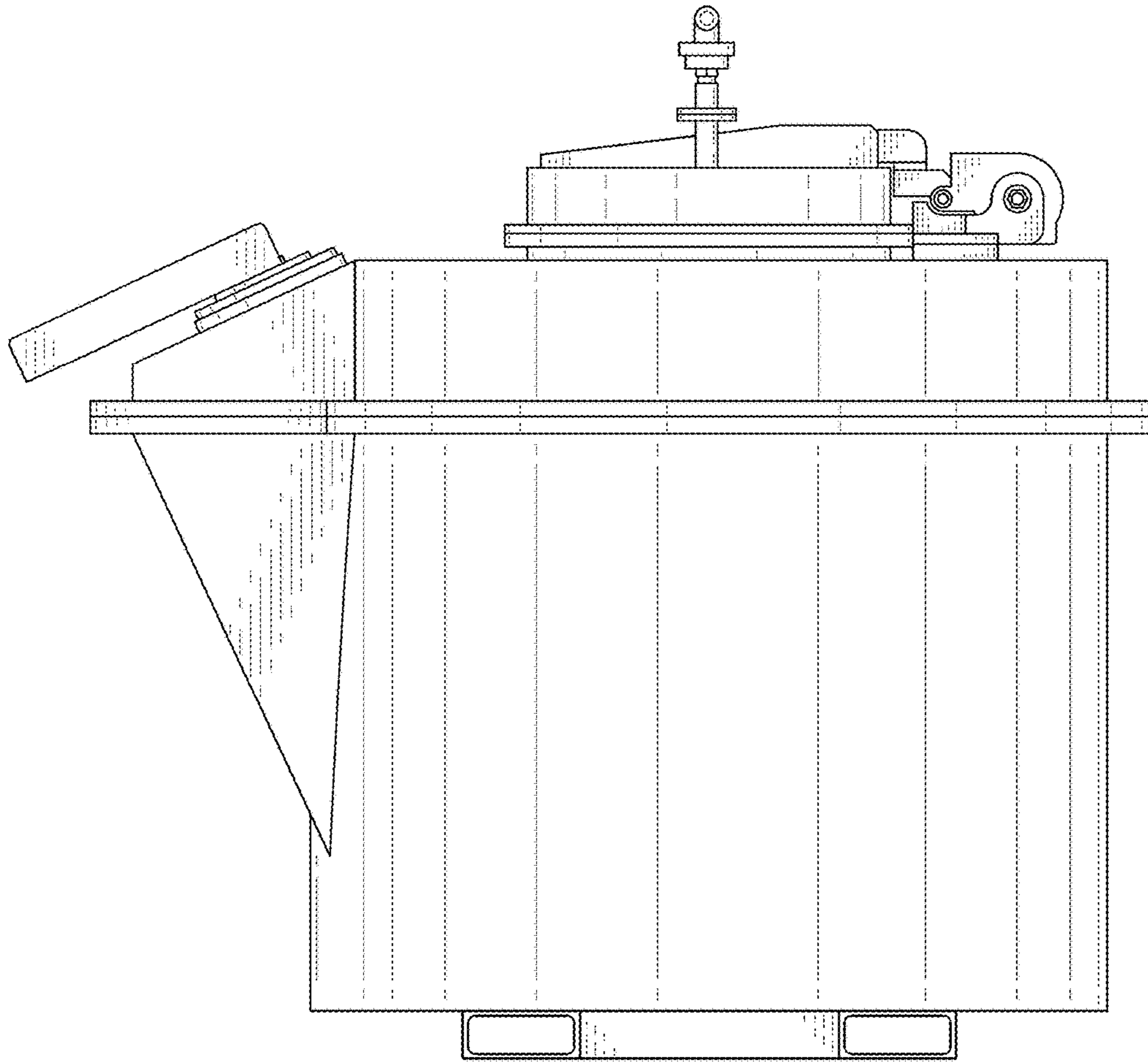


FIG.4

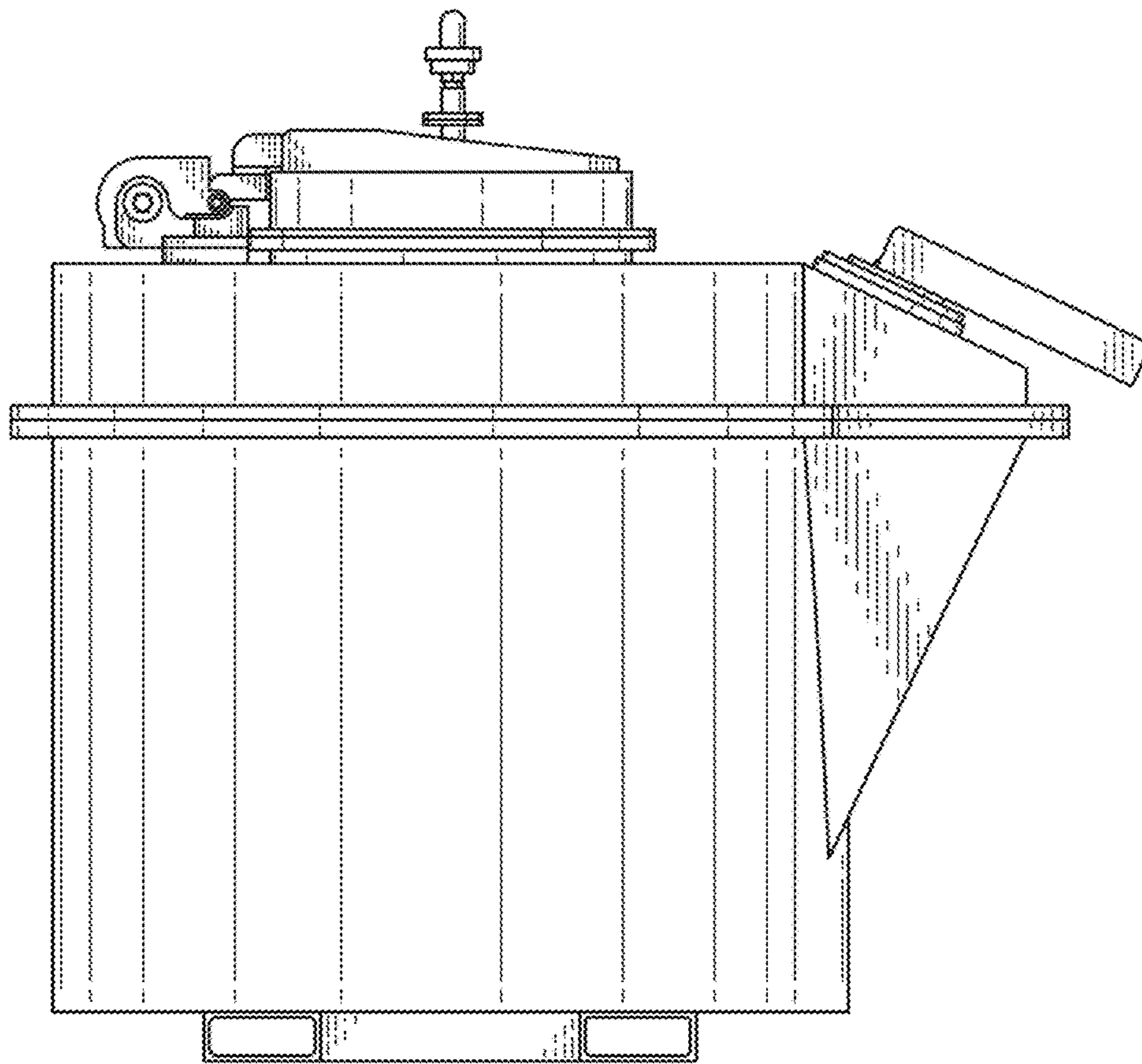


FIG. 5

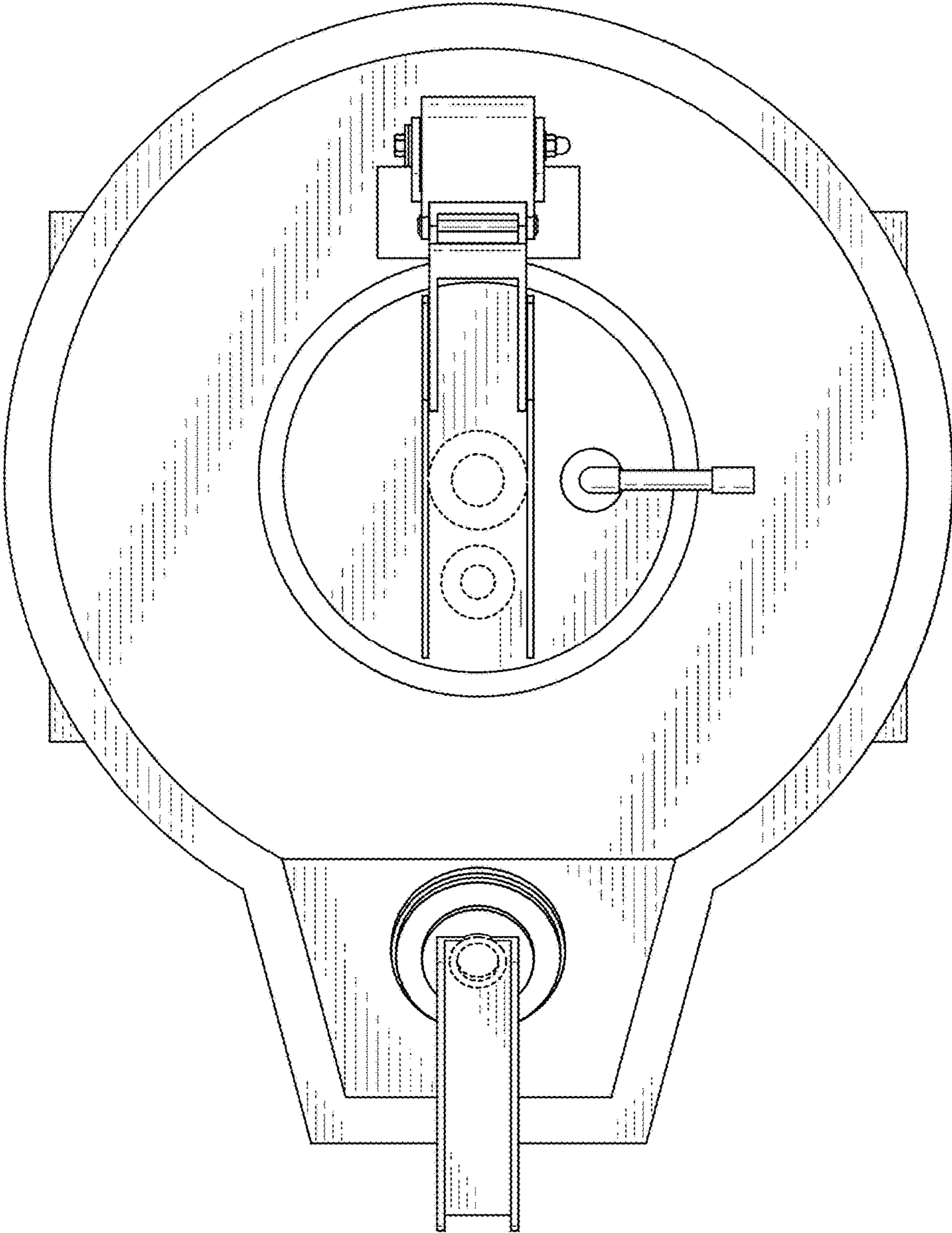


FIG.6

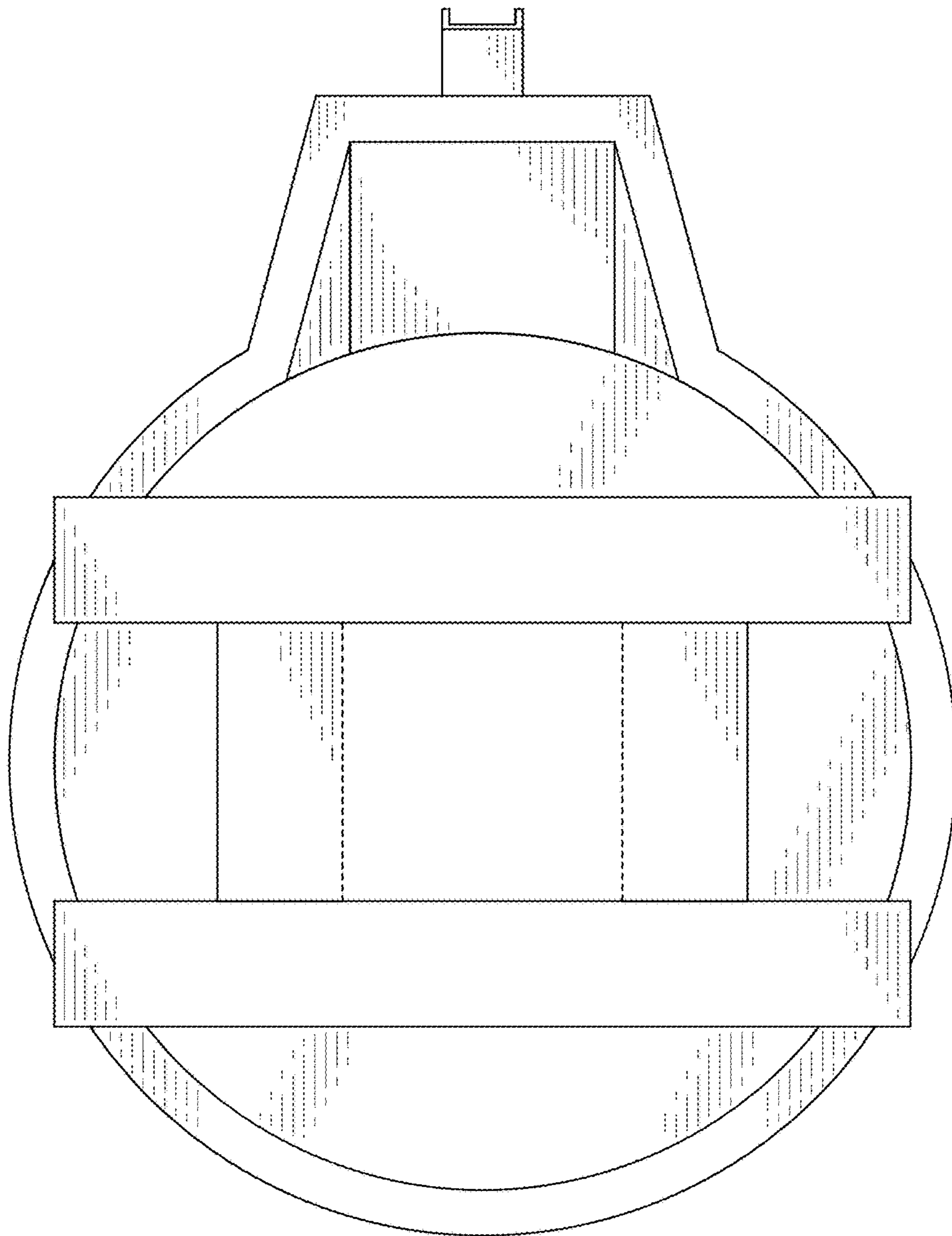


FIG. 7