



US00D839326S

(12) **United States Design Patent**  
**Ishizaki et al.**

(10) **Patent No.: US D839,326 S**  
(45) **Date of Patent: \*\* Jan. 29, 2019**

(54) **INGOT MOLD**

CPC ..... B22D 13/101; B22C 1/00; B22C 7/02;  
B22C 9/00; B22C 9/04

(71) Applicant: **IHI CORPORATION**, Koto-ku (JP)

See application file for complete search history.

(72) Inventors: **Masato Ishizaki**, Koto-ku (JP);  
**Tsutomu Murakami**, Koto-ku (JP);  
**Akira Kobiki**, Koto-ku (JP)

(56) **References Cited**

U.S. PATENT DOCUMENTS

(73) Assignee: **IHI CORPORATION**, Koto-ku (JP)

(\*\*) Term: **15 Years**

(21) Appl. No.: **29/605,136**

(22) Filed: **May 30, 2017**

3,778,018	A *	12/1973	Abalo	.....	A23G 1/208 249/119
D271,878	S *	12/1983	Farhi	.....	D15/136
D291,700	S *	9/1987	Farhi	.....	D15/136
D291,701	S *	9/1987	Farhi	.....	D15/136
D315,849	S *	4/1991	Brunner	.....	D7/672
D342,267	S *	12/1993	Scholtz	.....	D15/136
D356,513	S *	3/1995	Burkholder, II	.....	D10/62
5,443,856	A *	8/1995	Akutagawa	.....	A23G 3/0273 249/127
D377,181	S *	1/1997	Hupp	.....	D15/136
D448,249	S *	9/2001	DeCastro	.....	D7/605
D552,434	S *	10/2007	Laib	.....	D7/677
7,752,758	B2 *	7/2010	Gelardi	.....	B65D 83/0463 206/528
D621,858	S *	8/2010	Berger	.....	D15/136
D661,541	S *	6/2012	Braden	.....	D7/354
D667,681	S *	9/2012	Carsten	.....	D7/354
D672,212	S *	12/2012	Augis	.....	D7/672

**Related U.S. Application Data**

(62) Division of application No. 35/500,765, filed on Oct. 1, 2015 (U.S. filing date under 35 U.S.C. 384), and having an international filing date of Oct. 1, 2015, now Pat. No. Des. 809,575.

(Continued)

*Primary Examiner* — Richard E Chilcot

(30) **Foreign Application Priority Data**

Apr. 3, 2015	(EM)	.....	2015-007601
Apr. 3, 2015	(EM)	.....	2015-007602
Apr. 3, 2015	(EM)	.....	2015-007603
Apr. 3, 2015	(EM)	.....	2015-007604

(74) *Attorney, Agent, or Firm* — Oblon, McClelland, Maier & Neustadt, L.L.P.

(57) **CLAIM**

The ornamental design for an ingot mold, as shown and described.

(51) **LOC (11) Cl.** ..... **15-09**

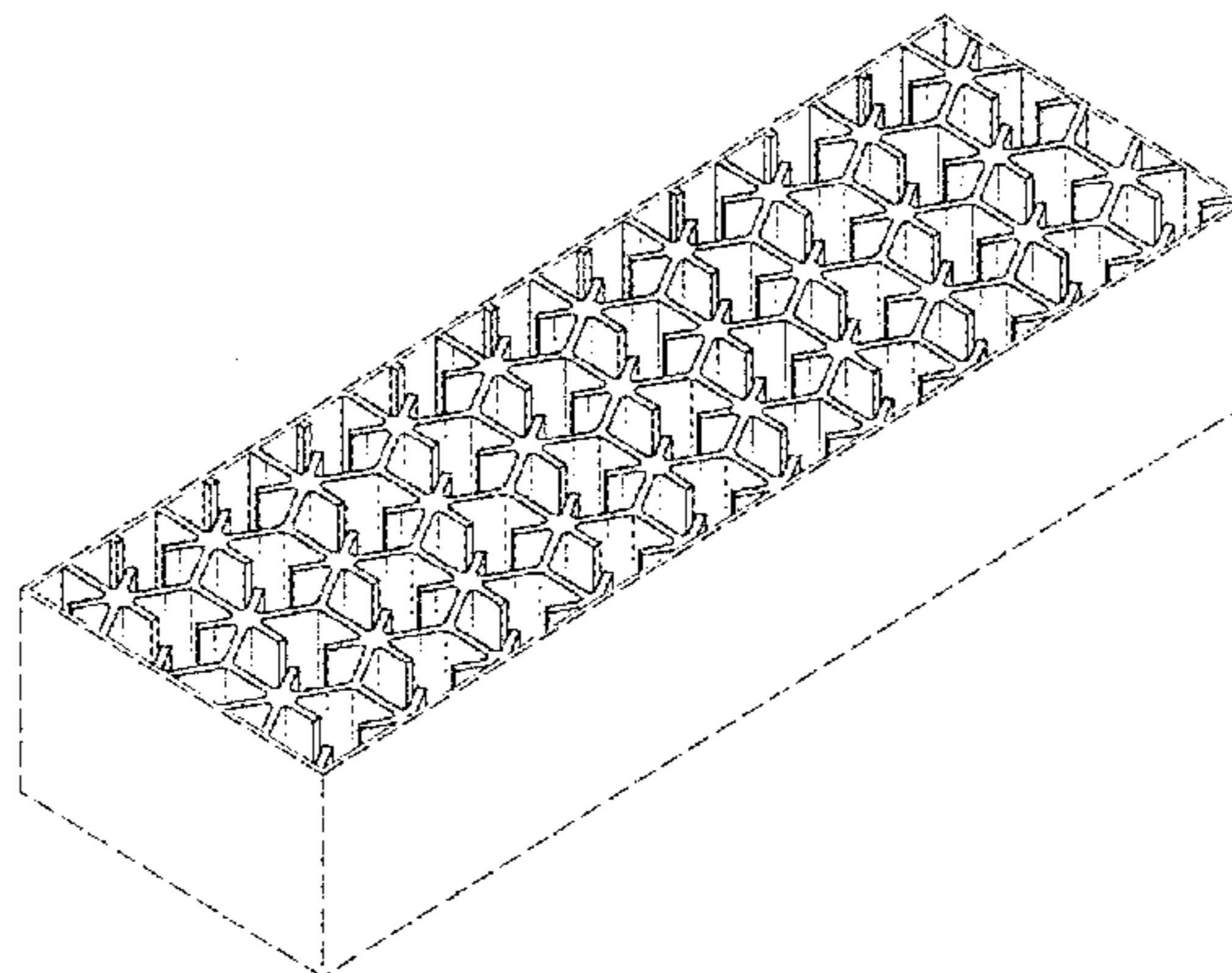
**DESCRIPTION**

(52) **U.S. Cl.**  
USPC ..... **D15/136**  
CPC ..... **B22C 1/00** (2013.01)

FIG. 1 is a bottom, front, and right side perspective view of an ingot mold;  
FIG. 2 is a front elevational view thereof;  
FIG. 3 is a rear elevational view thereof;  
FIG. 4 is a top plan view thereof;  
FIG. 5 is a bottom plan view thereof;  
FIG. 6 is a left side elevational view thereof; and,  
FIG. 7 is a right side elevational view thereof.

(58) **Field of Classification Search**  
USPC ..... D15/135, 136; D7/368–369, 410,  
D7/672–677; 249/117–120, DIG. 1;  
425/318, 503, 298–300; 426/104; 427/7;  
99/375–383

(Continued)



The broken lines are for illustrative purpose only and form no part of the claimed designs.

**1 Claim, 7 Drawing Sheets**

(56)

**References Cited**

U.S. PATENT DOCUMENTS

D673,432 S *	1/2013	Augis .....	D7/672
8,438,737 B2 *	5/2013	Lo .....	B26B 3/04
			30/114
D705,634 S *	5/2014	Furey .....	D8/72
D724,904 S *	3/2015	Chinon .....	D7/672

\* cited by examiner

FIG. 1

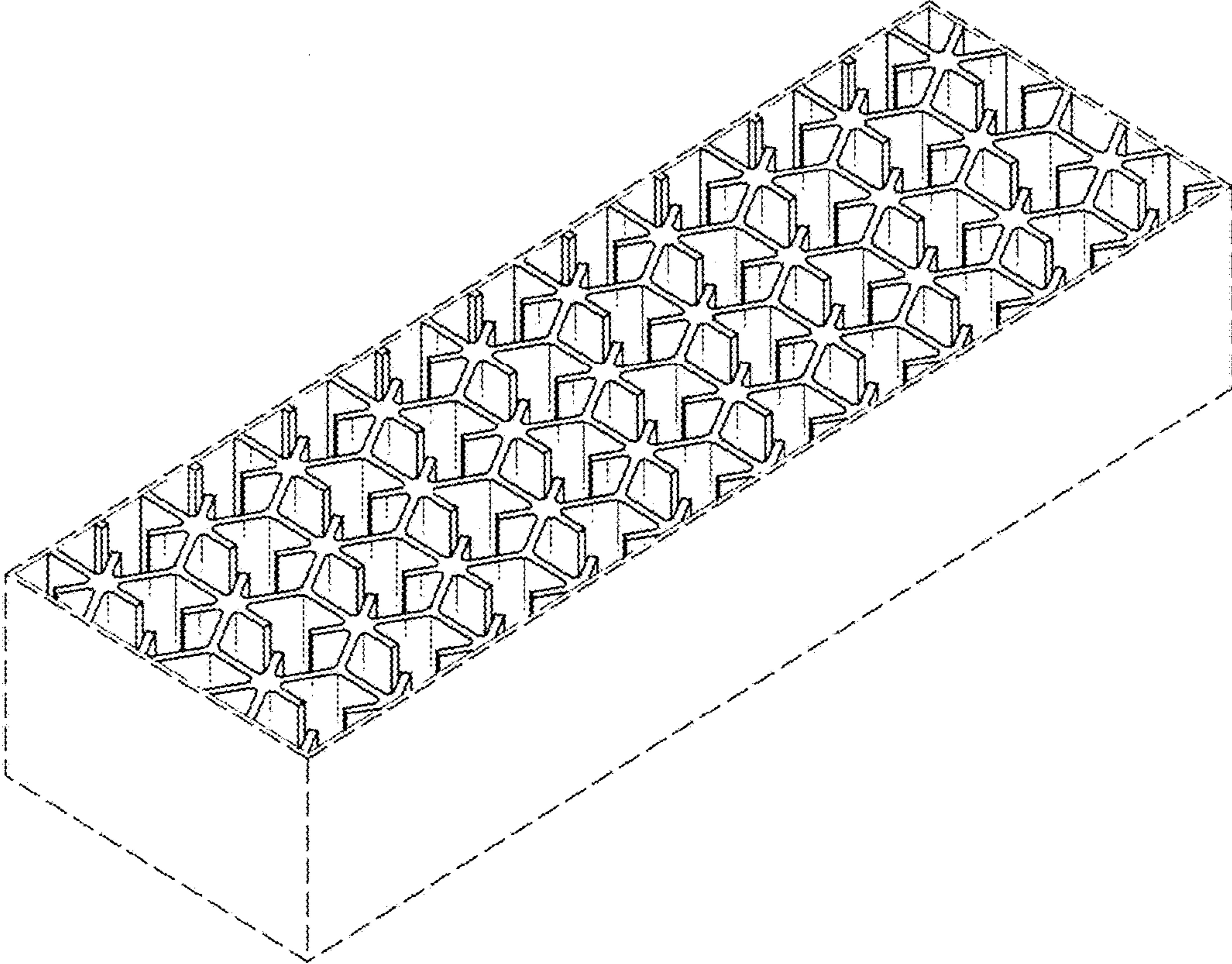


FIG. 2

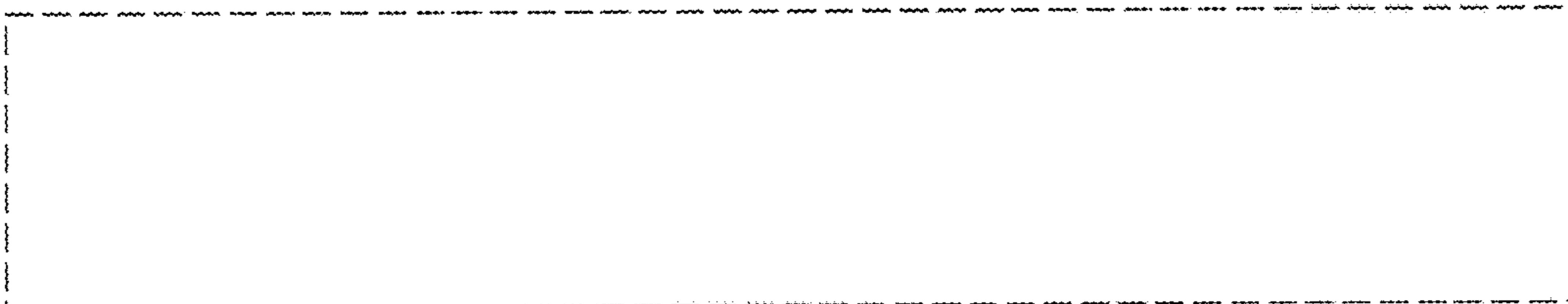


FIG. 3



FIG. 4



FIG. 5

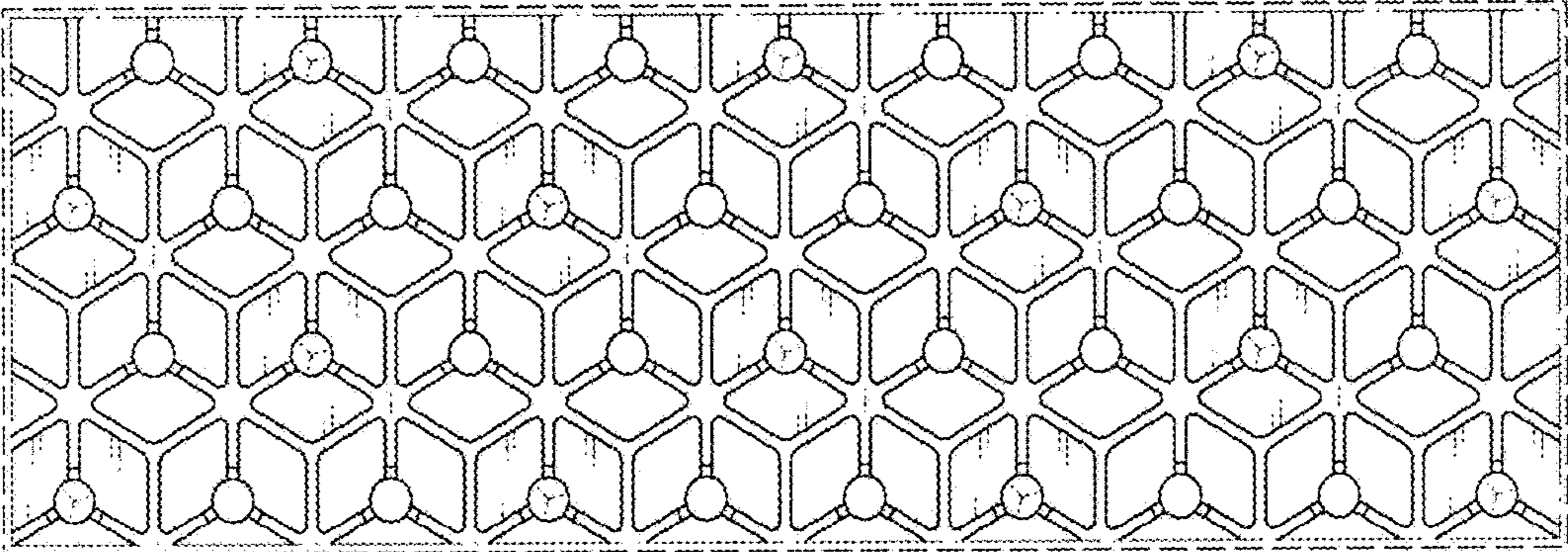


FIG. 6

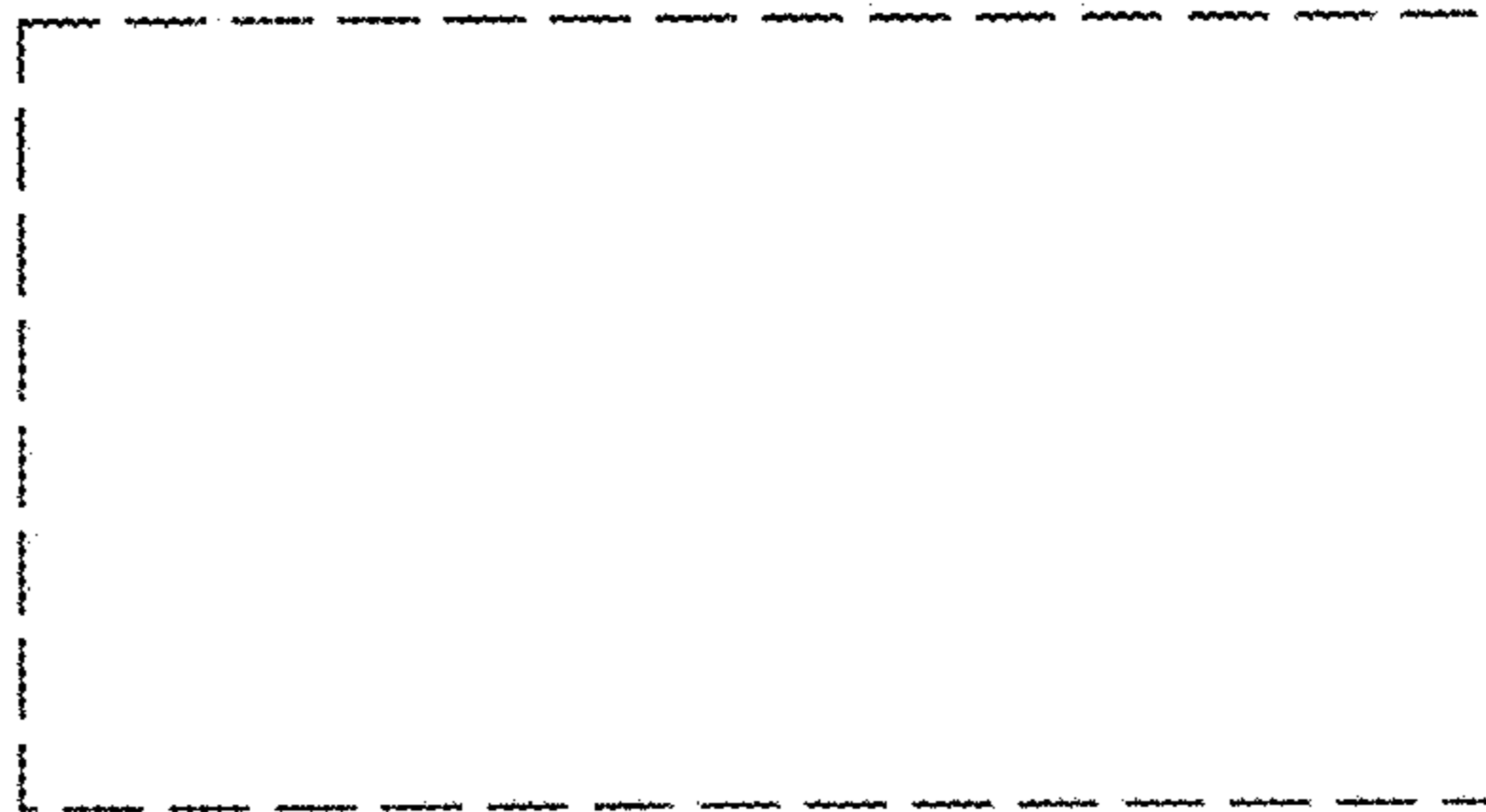




FIG. 7

