



US00D839325S

(12) **United States Design Patent** (10) **Patent No.:** **US D839,325 S**
Lee et al. (45) **Date of Patent:** **** Jan. 29, 2019**

(54) **REFRIGERATOR** 2317/0664; F25D 2321/147; F25D 2323/02; F25D 2323/023

(71) Applicant: **LG ELECTRONICS INC.**, Seoul (KR) See application file for complete search history.

(72) Inventors: **Hangbok Lee**, Seoul (KR); **Minsub Kim**, Seoul (KR); **Kyutae Park**, Seoul (KR)

(73) Assignee: **LG ELECTRONICS INC.**, Seoul (KR)

(**) Term: **15 Years**

(21) Appl. No.: **35/503,471**

(22) Filed: **Feb. 10, 2017**

(80) **Hague Agreement Data**

Int. Filing Date: **Feb. 10, 2017**
Int. Reg. No.: **DM/094856**
Int. Reg. Date: **Feb. 10, 2017**
Int. Reg. Pub. Date: **Aug. 11, 2017**

(30) **Foreign Application Priority Data**

Aug. 26, 2016 (KR) 30-2016-0041833

(51) **LOC (11) Cl.** **15-07**

(52) **U.S. Cl.**
USPC **D15/91**
CPC **F25D 25/025** (2013.01)

(58) **Field of Classification Search**

USPC D15/79-91
CPC .. F25D 25/025; F25D 23/08; F25D 2323/024; F25D 23/00; F25D 23/02; F25D 2323/021; F25D 23/065; F25D 11/00; F25D 2201/14; F25D 23/021; F25D 23/025; F25D 23/06; F25D 27/00; F25D 23/062; F25D 23/067; F25D 2400/18; F25D 23/085; F25D 2500/02; F25D 25/00; F25D 25/005; F25D 25/022; F25D 25/024; F25D 17/047; F25D 2317/041; F25D 2317/04131; F25D 2317/043; F25D

(56) **References Cited**

U.S. PATENT DOCUMENTS

D615,565 S * 5/2010 Kristiansen D15/86
D629,022 S * 12/2010 Cho D15/85
D656,967 S * 4/2012 Yi D15/86
D673,189 S * 12/2012 Kwak D15/86

(Continued)

OTHER PUBLICATIONS

LG Global, "LG Premium 4 Door Refrigerator Door-in-Door," <https://www.youtube.com/watch?v=s7E8rzmb1Ak>, Oct. 14, 2014, pp. 1-3.

(Continued)

Primary Examiner — Richard E Chilcot
(74) *Attorney, Agent, or Firm* — Birch, Stewart, Kolasch & Birch, LLP

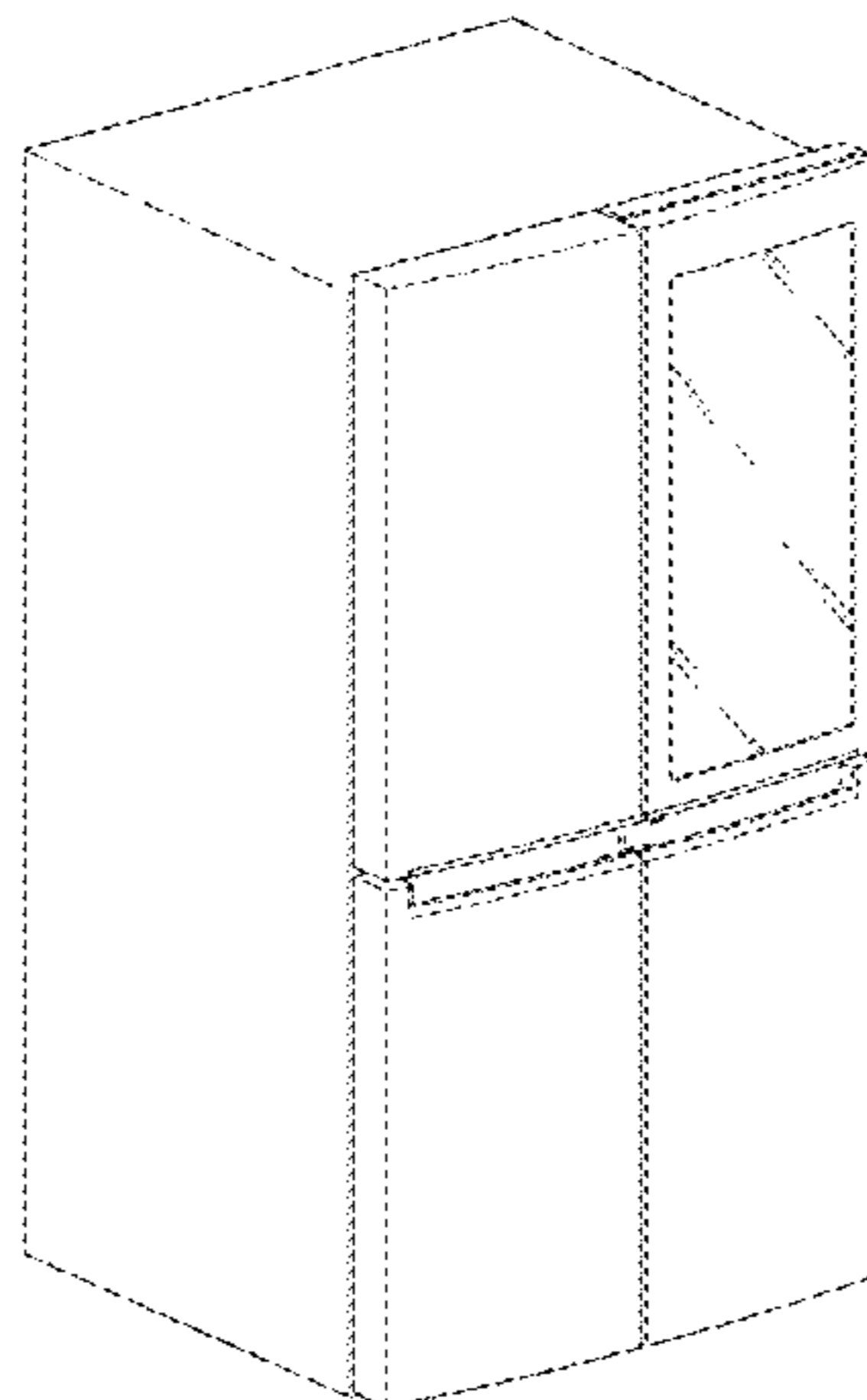
(57) **CLAIM**

The ornamental design for a refrigerator, as shown and described.

DESCRIPTION

1 . Refrigerator
1.1 is a perspective view of a refrigerator showing our new design;
1.2 is a front elevation view thereof;
1.3 is a rear elevation view thereof;
1.4 is a left-side elevation view thereof;
1.5 is a right-side elevation view thereof;
1.6 is a top plan view thereof;
1.7 is a bottom plan view thereof;
1.8 is another perspective view thereof, wherein the inside of an outer door is seen through a 'see-through' type of window;
1.9 is another perspective view thereof, wherein the outer door is in an opened position; and

(Continued)



1.10 is another perspective view thereof, wherein an inner door and the outer door are each in an opened position.

1 Claim, 10 Drawing Sheets

(56)

References Cited

U.S. PATENT DOCUMENTS

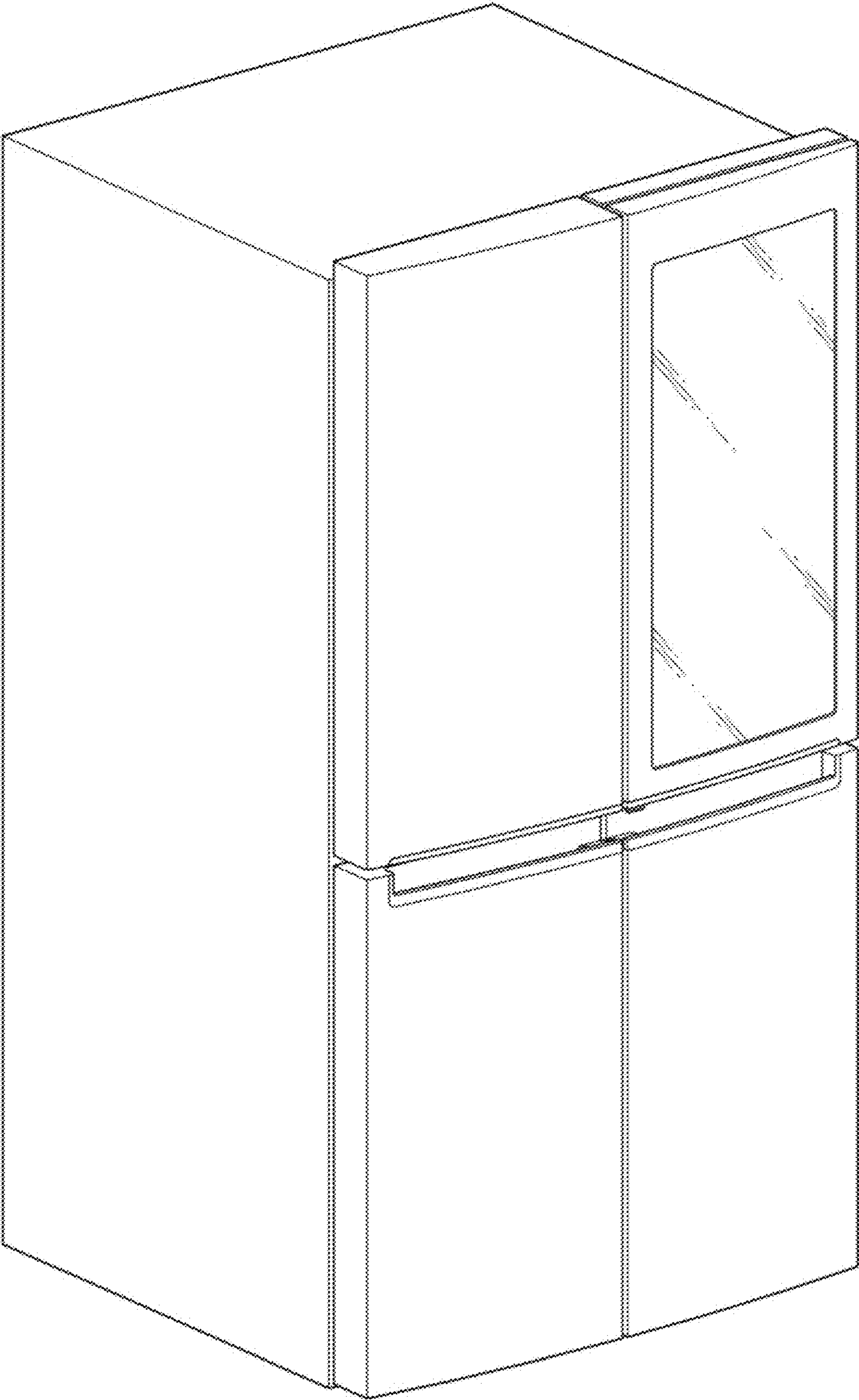
| | | | |
|--------------|---------|-----------------|--------|
| D681,075 S * | 4/2013 | Yi | D15/86 |
| D691,644 S * | 10/2013 | Cho | D15/86 |
| D701,539 S * | 3/2014 | Saejin | D15/85 |
| D702,739 S * | 4/2014 | Kim | D15/86 |
| D724,629 S * | 3/2015 | Choi | D15/85 |
| D729,286 S * | 5/2015 | Kwak | D15/85 |
| D732,584 S * | 6/2015 | Sin | D15/86 |
| D742,434 S * | 11/2015 | Yeo | D15/86 |
| D767,648 S * | 9/2016 | Shoemaker | D15/86 |

OTHER PUBLICATIONS

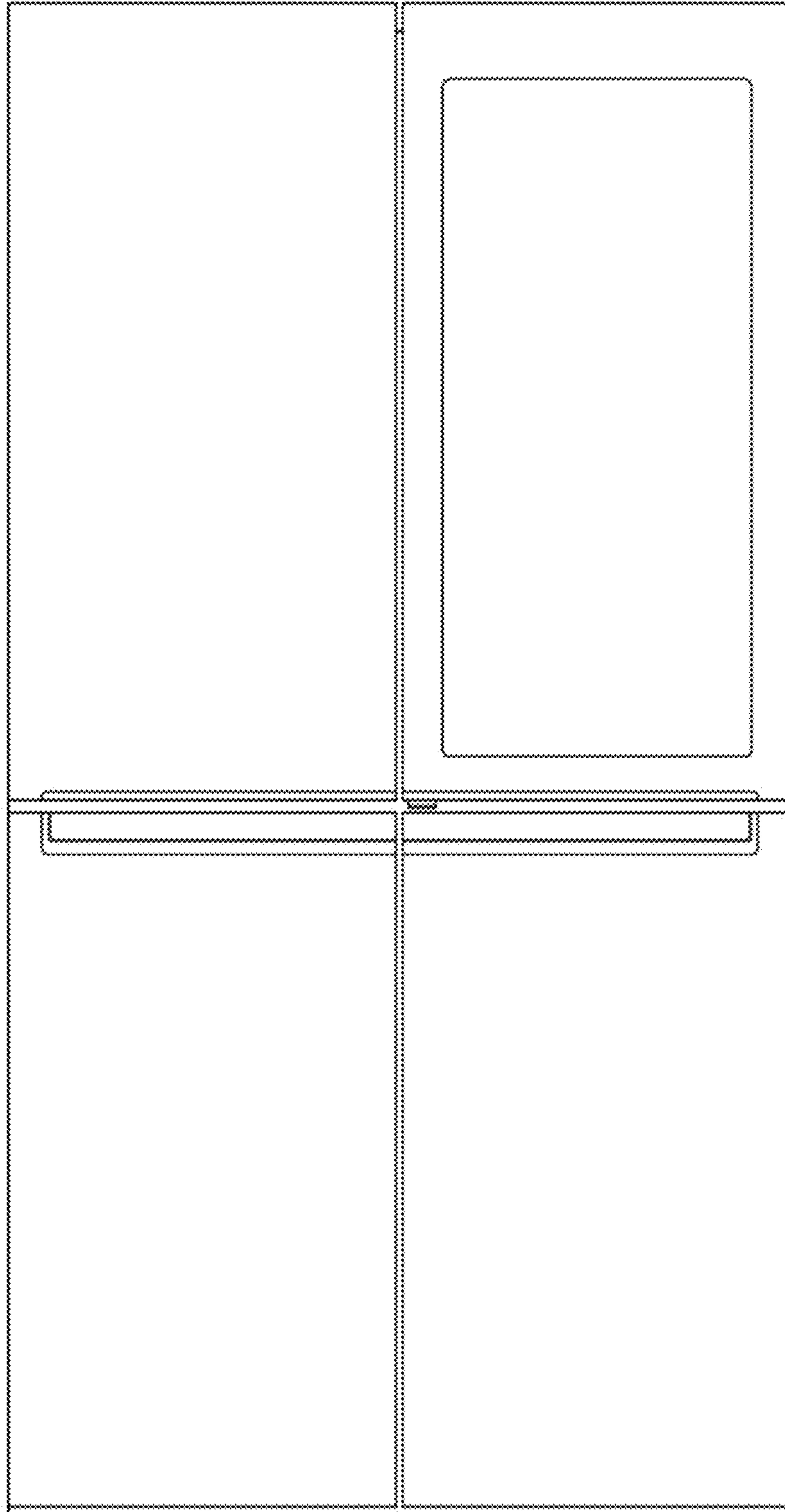
Opam, "This LG fridge opens for you Automatically," The Verge, <https://www.theverge.com/2016/1/5/10717118/lg-signature-fridge-auto-door-ces-2016>, Jan. 5, 2016, pp. 1-2.

* cited by examiner

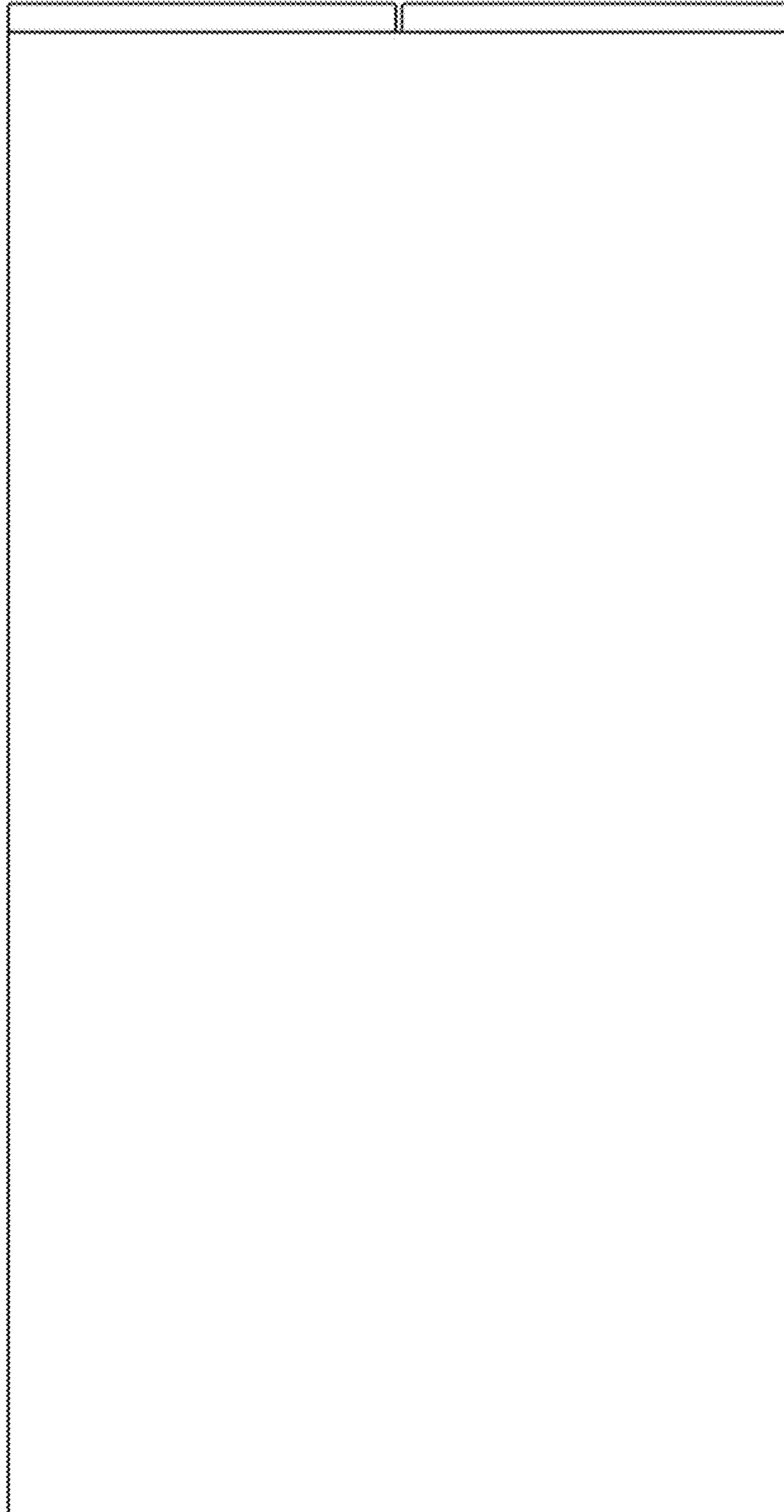
1.1



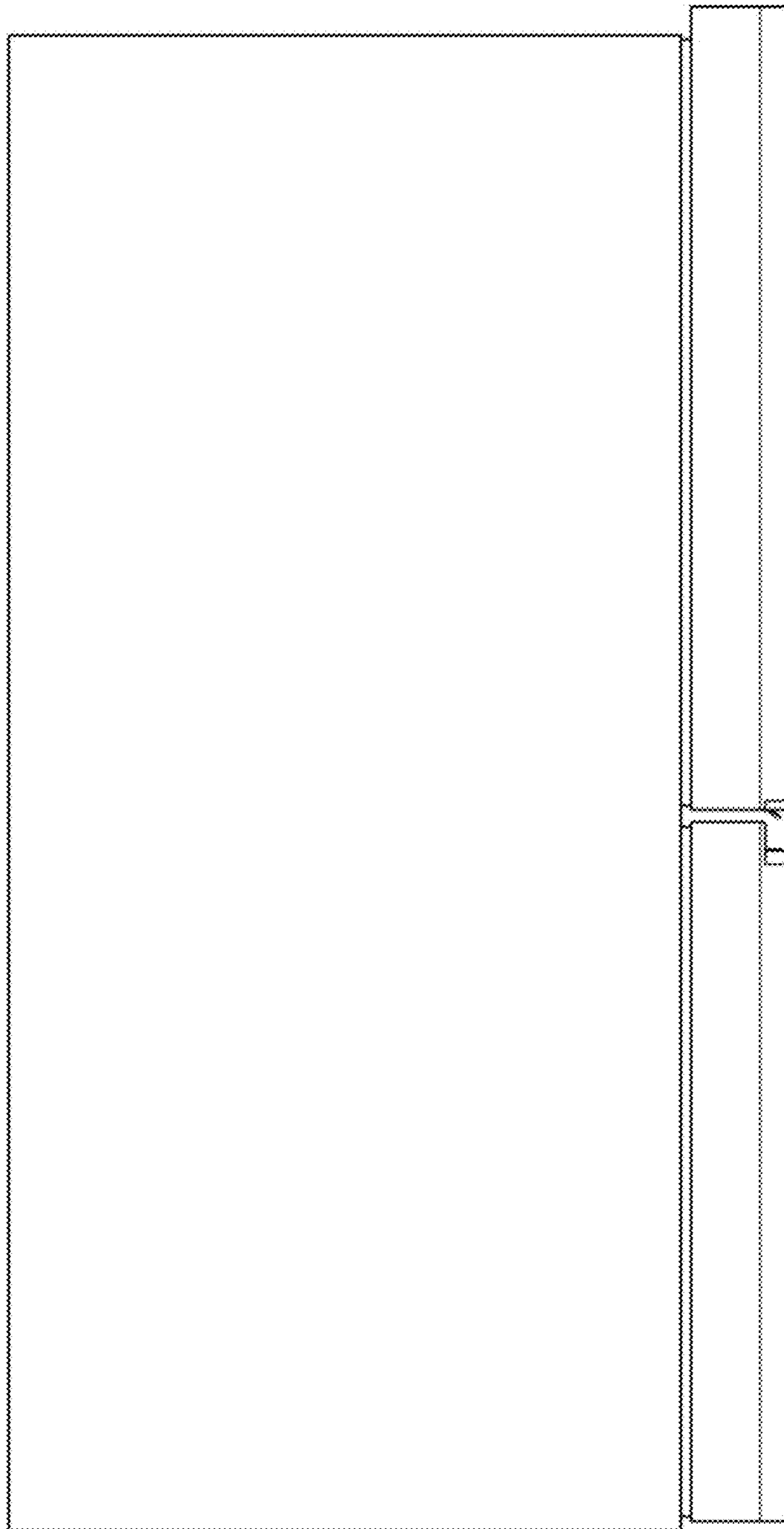
1.2



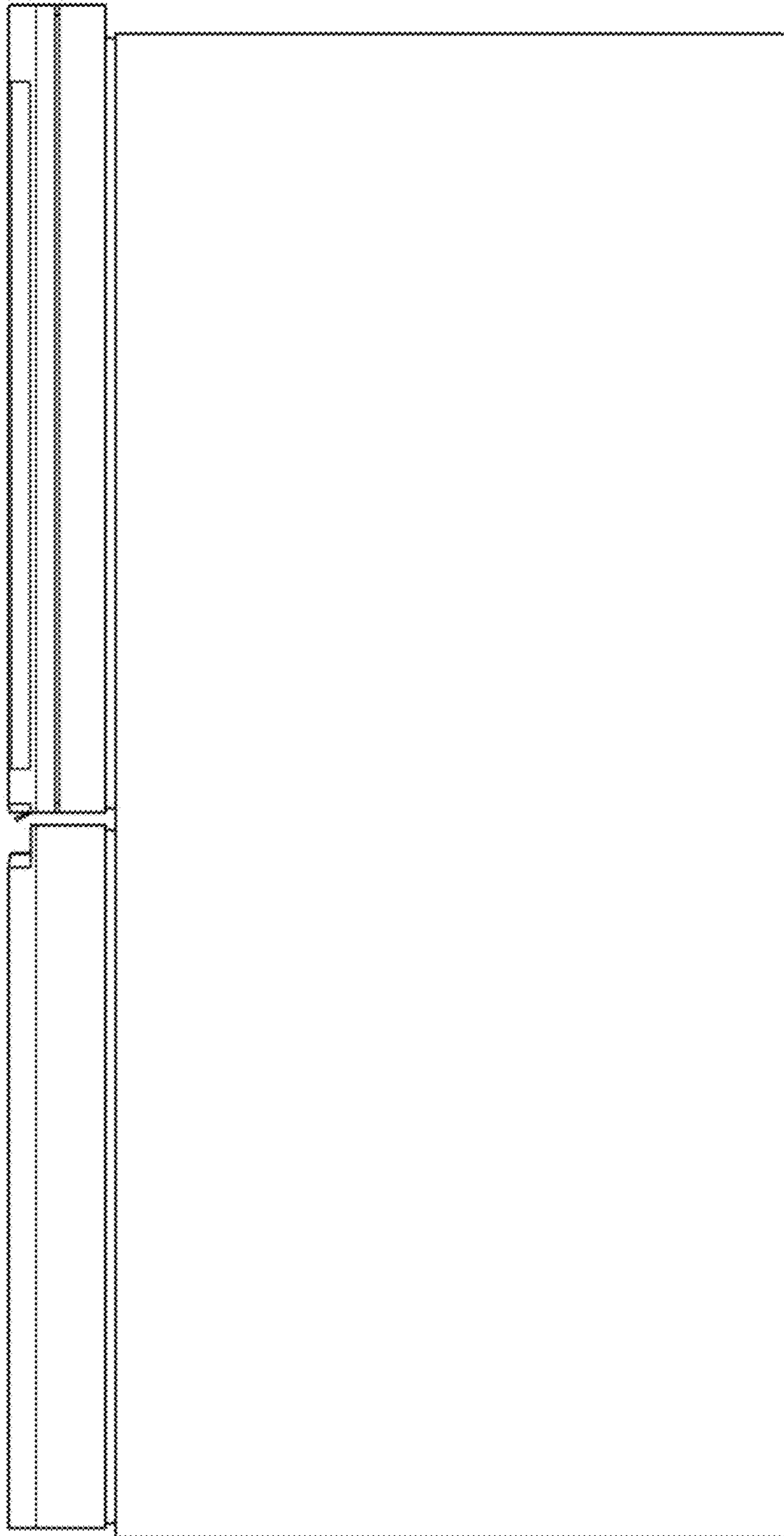
1.3



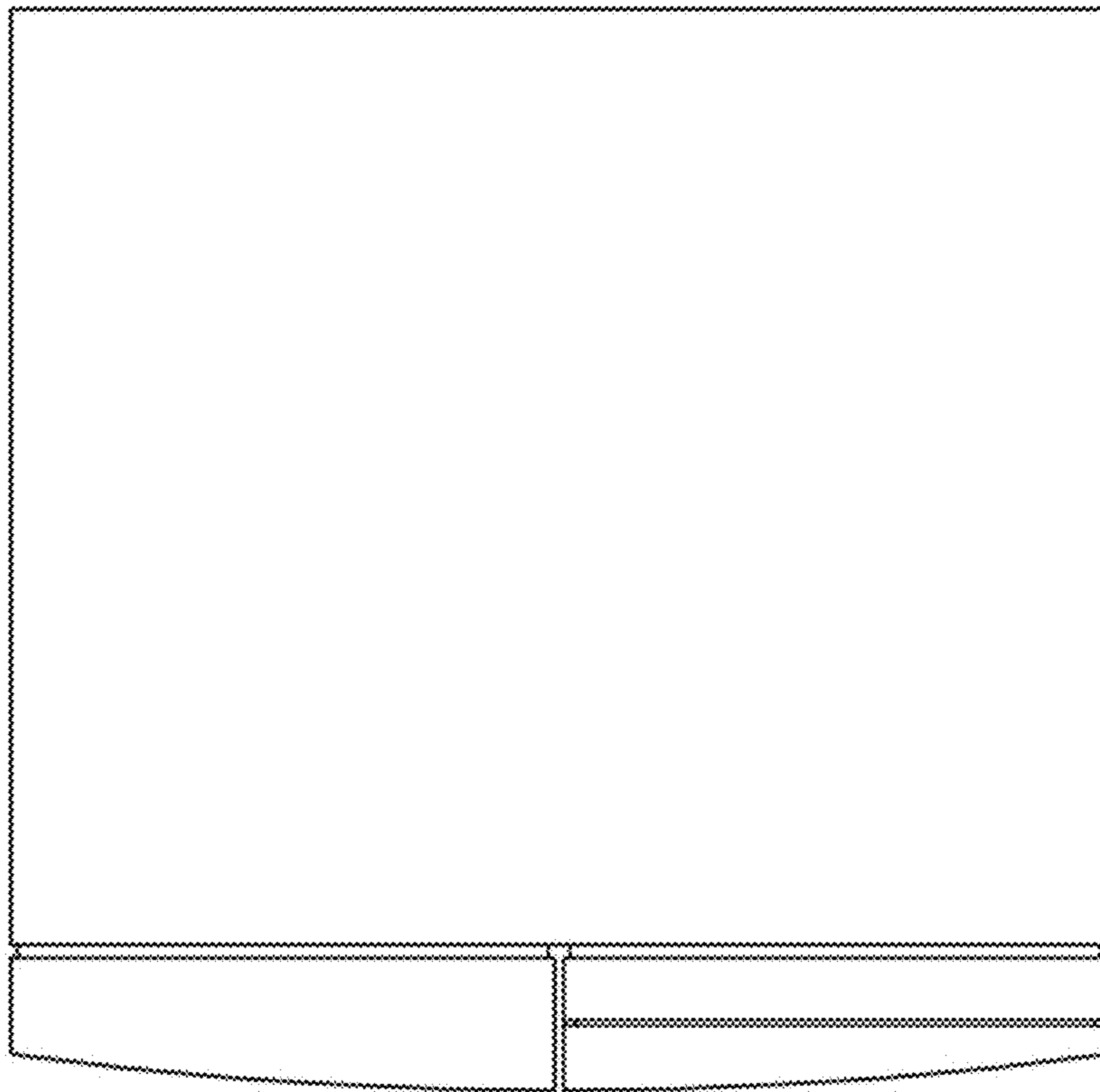
1.4



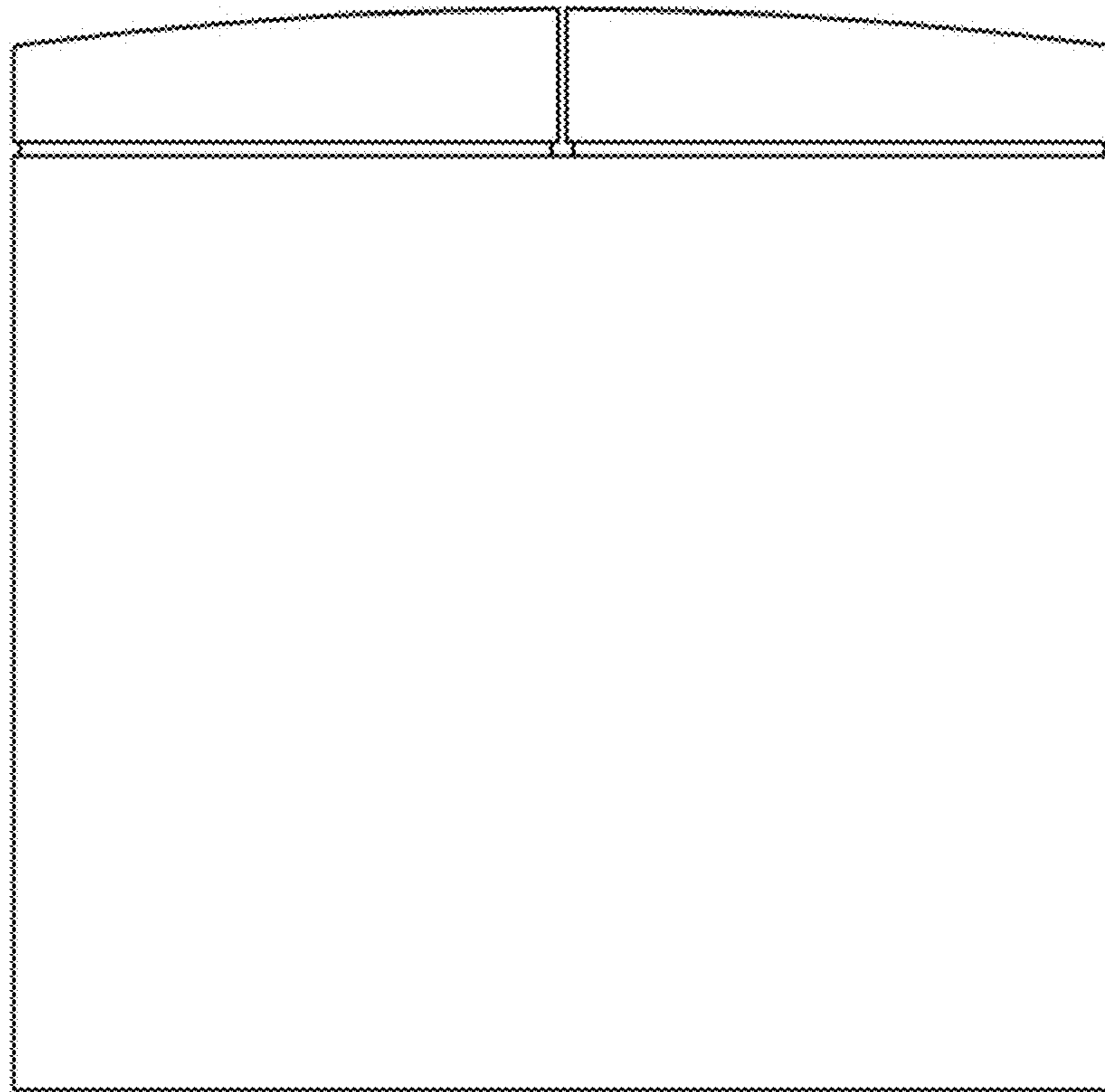
1.5



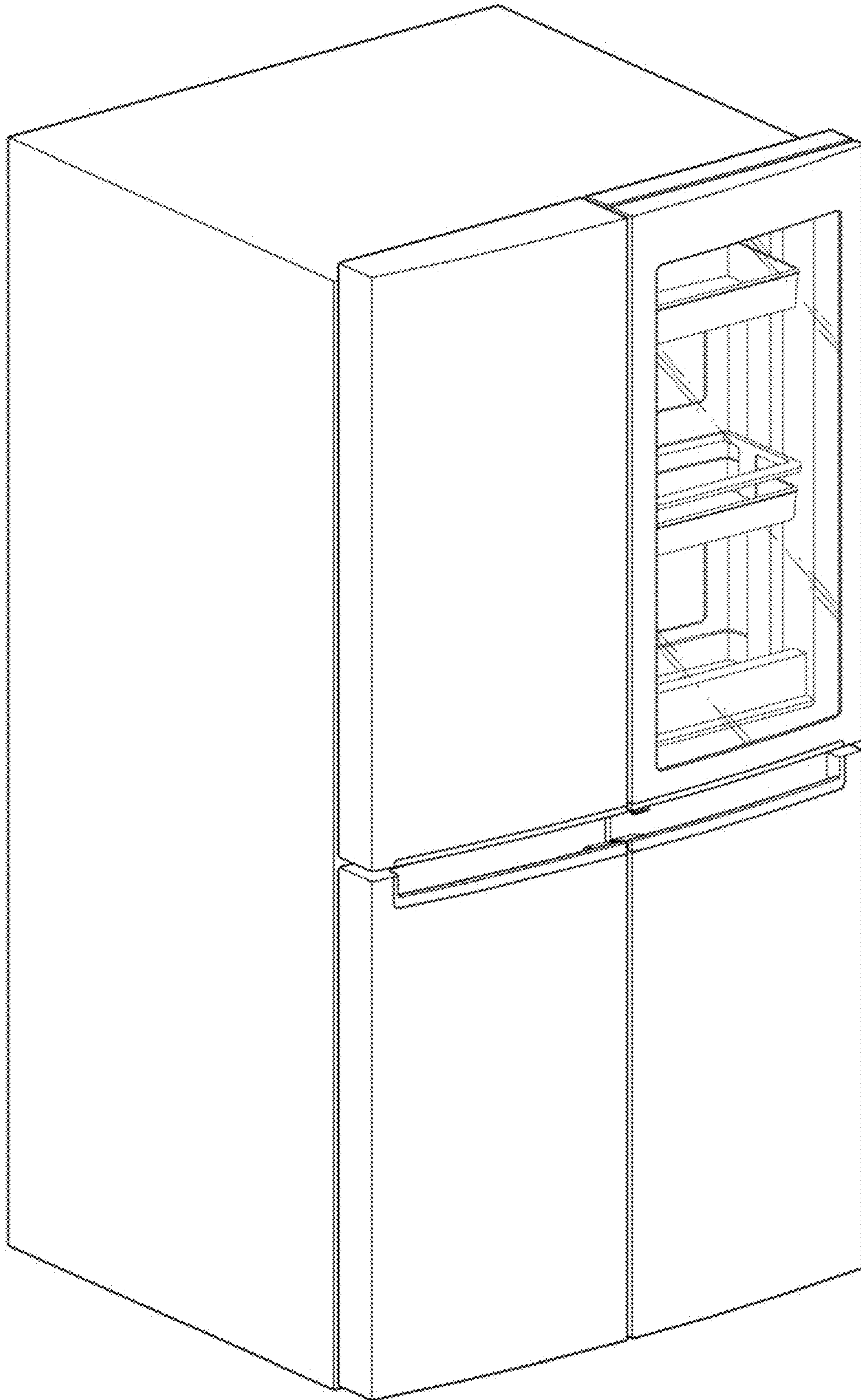
1.6



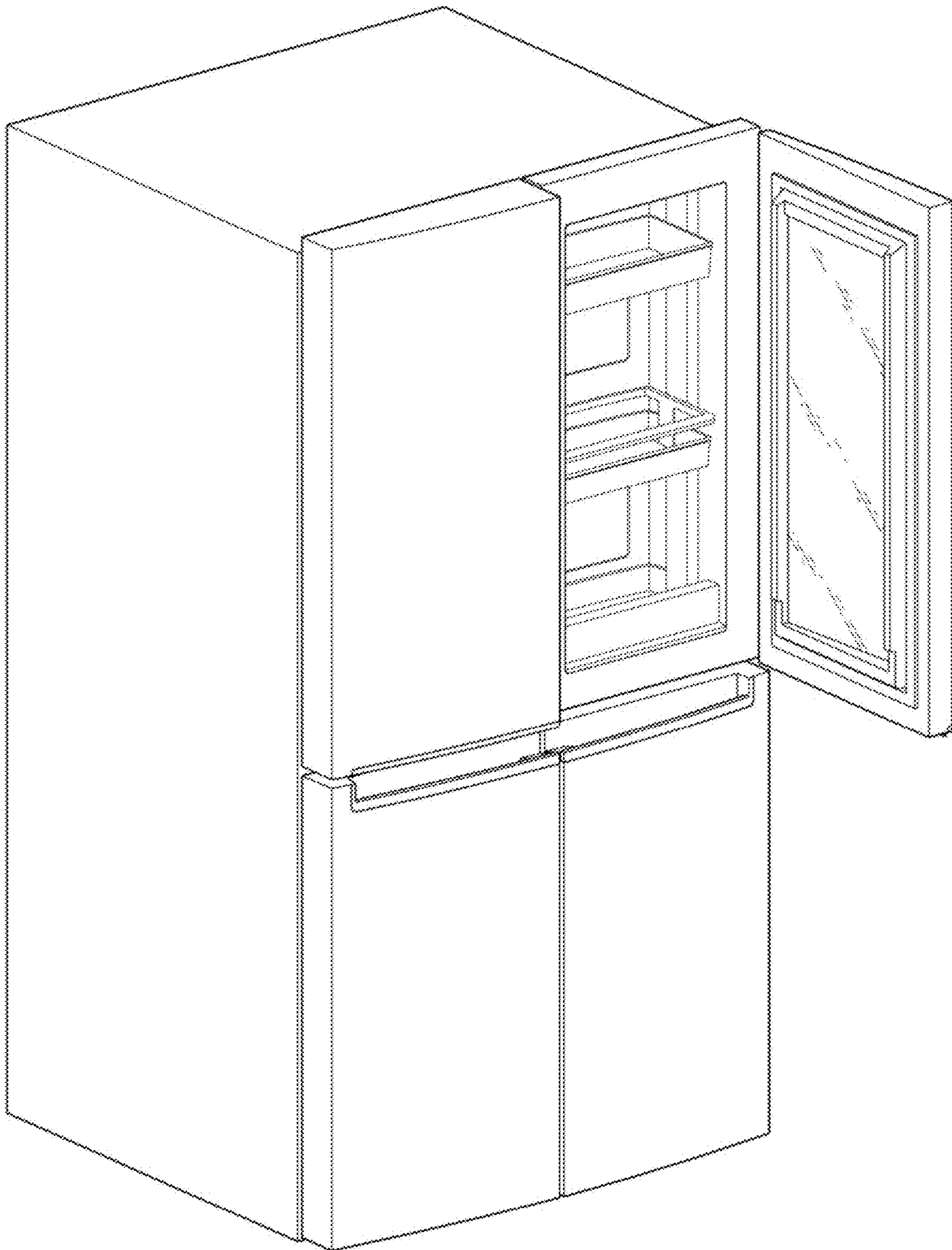
1.7



1.8



1.9



1.10

