



US00D839323S

(12) **United States Design Patent**
Choi et al.

(10) **Patent No.:** **US D839,323 S**
(45) **Date of Patent:** **** Jan. 29, 2019**

(54) **DOOR FOR REFRIGERATOR**

23/087; F25D 23/126; F25D 2400/36;
F25D 2400/361; F25D 25/00; F25D
2600/00; F25D 2600/02; F25D
(Continued)

(71) Applicant: **LG ELECTRONICS INC.**, Seoul
(KR)

(72) Inventors: **Kyukwan Choi**, Seoul (KR); **Daesung Lee**, Seoul (KR); **Jihyun Lee**, Seoul (KR); **Hyungki Kim**, Seoul (KR); **Seungjin Yoon**, Seoul (KR)

(56) **References Cited**

U.S. PATENT DOCUMENTS

D243,985 S * 4/1977 Brown D15/85
D244,019 S * 4/1977 Brown D15/85
(Continued)

(73) Assignee: **LG ELECTRONICS INC.**, Seoul
(KR)

Primary Examiner — Richard E Chilcot

(**) Term: **15 Years**

(74) *Attorney, Agent, or Firm* — Birch, Stewart, Kolasch & Birch, LLP

(21) Appl. No.: **35/503,242**

(22) Filed: **Dec. 19, 2016**

(57) **CLAIM**

The ornamental design for a door for refrigerator, as shown and described.

(80) **Hague Agreement Data**

Int. Filing Date: **Dec. 19, 2016**
Int. Reg. No.: **DM/094056**
Int. Reg. Date: **Dec. 19, 2016**
Int. Reg. Pub. Date: **Jun. 23, 2017**

DESCRIPTION

(30) **Foreign Application Priority Data**

Jul. 1, 2016 (KR) 30-2016-0032294

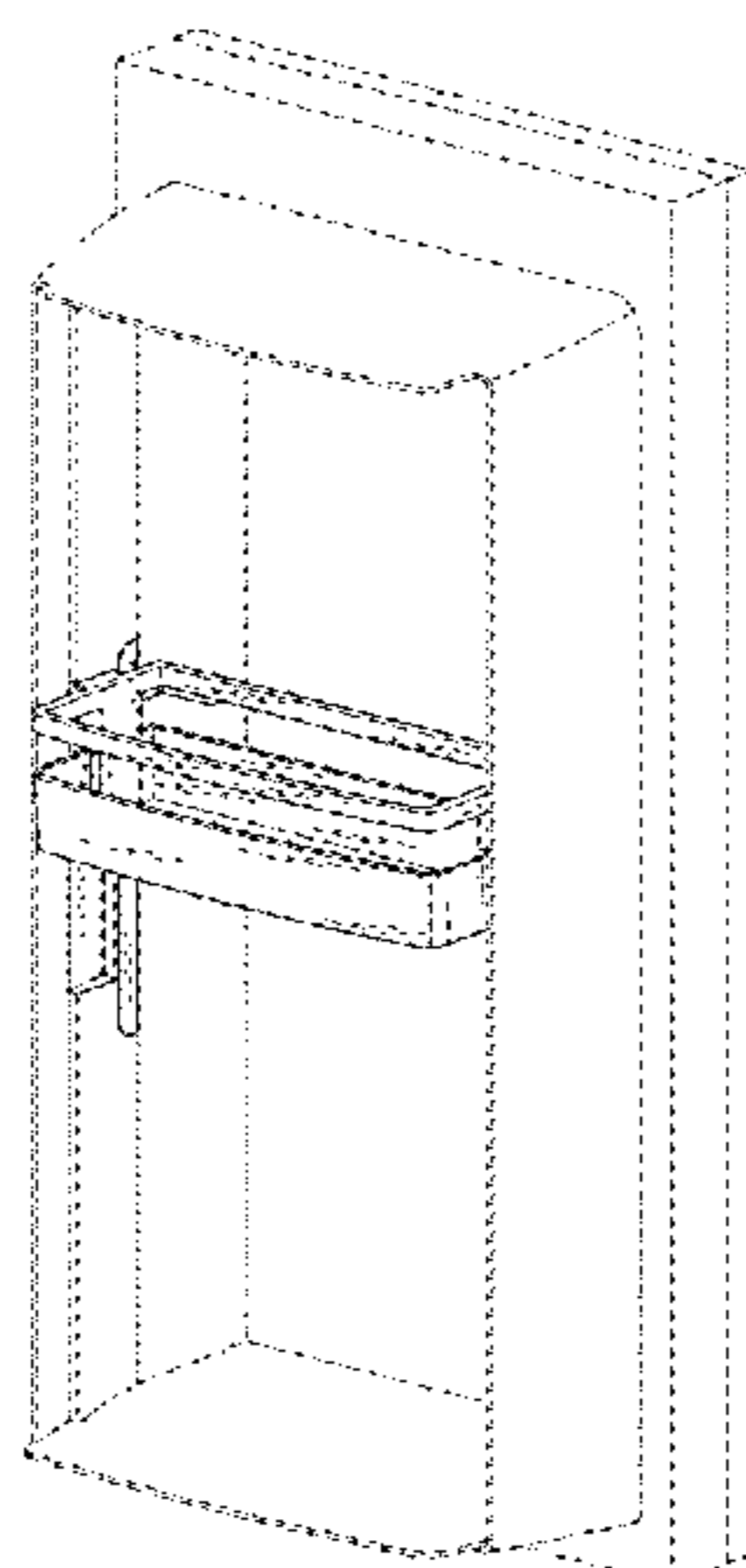
(51) **LOC (11) Cl.** **15-07**

(52) **U.S. Cl.**
USPC **D15/89**

(58) **Field of Classification Search**
USPC D15/79–91
CPC F25D 25/02; F25D 25/024; F25D 23/00;
F25D 2325/022; F25D 25/04; F25D
23/067; F25D 23/04; F25D 11/00; F25D
23/025; F25D 25/025; F25D 27/00; F25D
2325/021; F25D 2400/22; F25D 11/02;
F25D 23/12; F25D 27/005; F25D
2331/80; F25D 2323/122; F25D 2325/00;
F25D 2327/00; F25D 2327/001; F25D
2331/809; F25D 2331/81; F25D 23/062;
F25D 23/065; F25D 23/069; F25D

1. Door for refrigerator
- 1.1 is a perspective view of a door for refrigerator, showing our new design;
- 1.2 is a front elevation view thereof;
- 1.3 is a rear elevation view thereof;
- 1.4 is a left-side elevation view thereof;
- 1.5 is a right-side elevation view thereof;
- 1.6 is a top plan view thereof;
- 1.7 is a bottom plan view thereof;
- 1.8 is a perspective view thereof, in a use condition;
- 1.9 is an exploded perspective view thereof;
- 1.10 is a perspective view of the door for refrigerator, with its basket moved down;
- 1.11 is a front elevation view thereof;
- 1.12 is a rear elevation view thereof;
- 1.13 is a left-side elevation view thereof;
- 1.14 is a right-side elevation view thereof;
- 1.15 is a top plan view thereof; and
- 1.16 is a bottom plan view thereof.

(Continued)



The broken lines shown in the drawing figures are included for the purpose of illustrating environment and form no part of the claimed design.

1 Claim, 16 Drawing Sheets

(52) **U.S. Cl.**

CPC *F25D 23/00* (2013.01)

(58) **Field of Classification Search**

CPC 17/042; F25D 2331/805; F25D 23/028;
 F25D 2400/40; F25D 2500/02; F25D
 2500/06; F25D 25/022; F25D 25/028;
 F25D 2201/00; F25D 2317/041; F25D
 2317/0411; F25D 2317/0416

See application file for complete search history.

(56)

References Cited

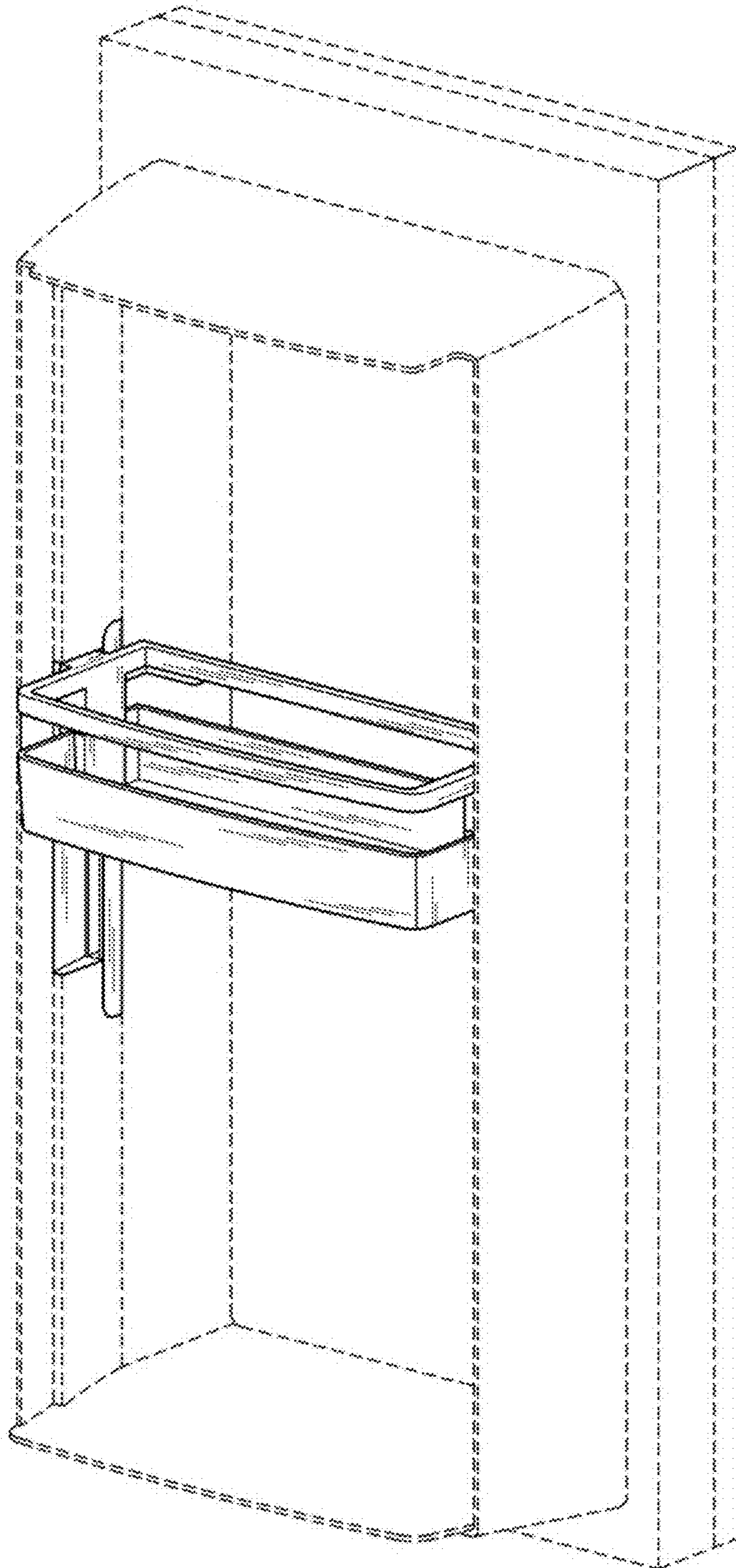
U.S. PATENT DOCUMENTS

D271,107	S	*	10/1983	Trulaske	D15/85
D453,169	S	*	1/2002	Ma	D15/81
D467,596	S	*	12/2002	Kim	D15/81
D468,325	S	*	1/2003	Lorek	D15/81
D478,601	S	*	8/2003	Becke F25D 25/02	D15/81
D487,278	S	*	3/2004	Segers F25D 11/00	D15/86
D493,181	S	*	7/2004	Kehoe	D15/81
D512,081	S	*	11/2005	Chang	D15/81
D513,014	S	*	12/2005	Seki	D15/81
D519,133	S	*	4/2006	Chang	D15/81
D524,830	S	*	7/2006	Lei	D15/81
D539,312	S	*	3/2007	Kim	D15/81

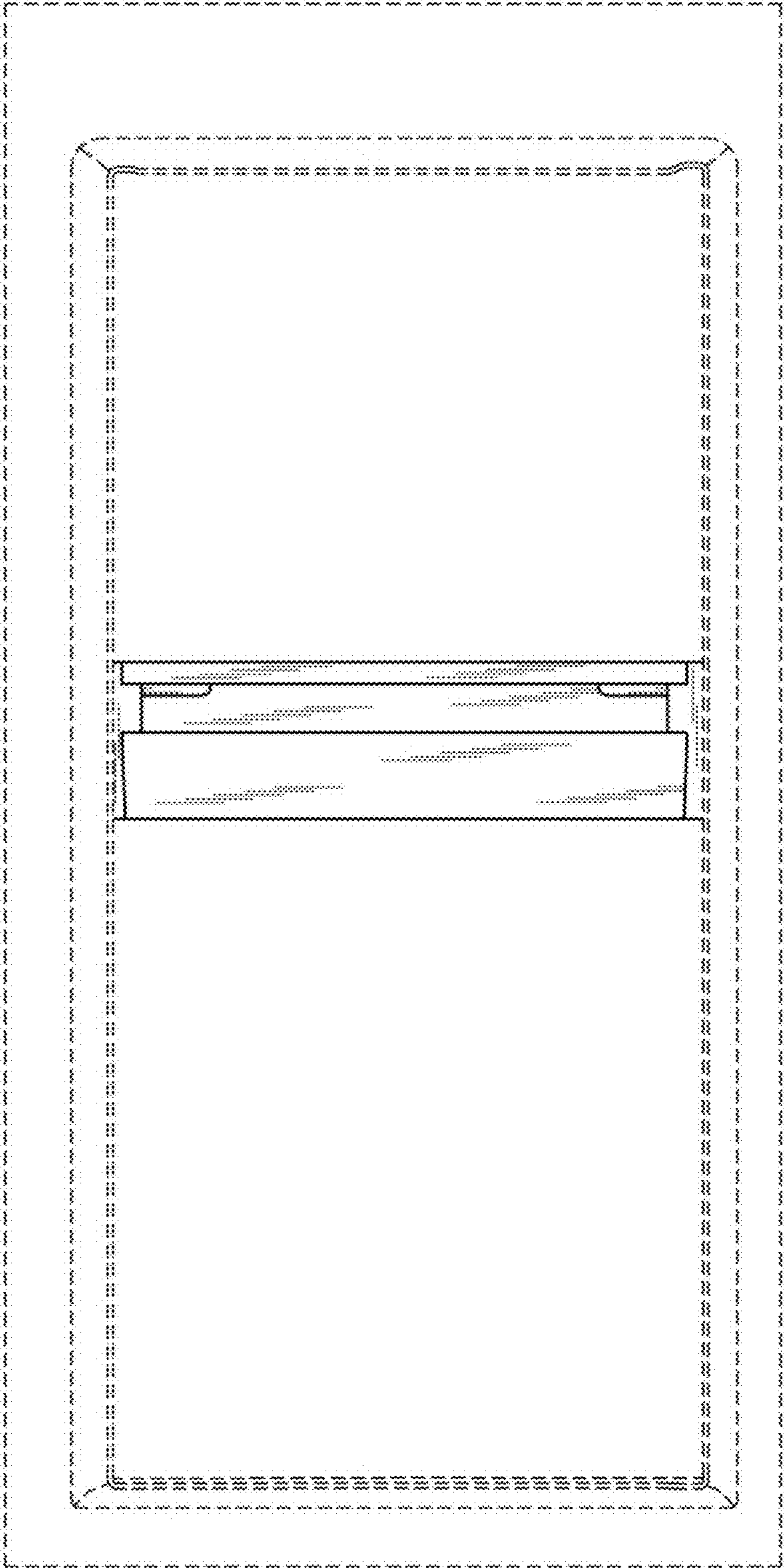
D540,831	S	*	4/2007	Kim	D15/81
D541,315	S	*	4/2007	Trulaske, Sr.	D15/81
D550,256	S	*	9/2007	Lei	D15/81
D604,340	S	*	11/2009	Kim	D15/81
D615,565	S	*	5/2010	Kristiansen	D15/86
D627,374	S	*	11/2010	Yang	D15/81
D629,022	S	*	12/2010	Cho	D15/85
D630,231	S	*	1/2011	Yang	D15/81
D654,098	S	*	2/2012	Piffl	D15/81
D656,967	S	*	4/2012	Yi	D15/86
D660,886	S	*	5/2012	Piffl	D15/91
D673,189	S	*	12/2012	Kwak	D15/86
D681,075	S	*	4/2013	Yi	D15/86
D687,076	S	*	7/2013	Schaefer	D15/81
D691,644	S	*	10/2013	Cho	D15/86
D695,795	S	*	12/2013	Schaefer	D15/81
D698,371	S	*	1/2014	Brenneis	D15/81
D701,539	S	*	3/2014	Saejin	D15/85
D702,739	S	*	4/2014	Kim	D15/86
D704,981	S	*	5/2014	Gates	D7/332
D705,278	S	*	5/2014	Schaefer	D15/81
D705,279	S	*	5/2014	Schaefer	D15/81
D705,824	S	*	5/2014	Schaefer	D15/81
D724,629	S	*	3/2015	Choi	D15/85
D729,286	S	*	5/2015	Kwak	D15/85
D732,584	S	*	6/2015	Sin	D15/86
D742,434	S	*	11/2015	Yeo	D15/86
D767,648	S	*	9/2016	Shoemaker	D15/86
D775,245	S	*	12/2016	Seo	D15/81
D776,726	S	*	1/2017	Mauffette	D15/81
D781,931	S	*	3/2017	Sherman	D15/80
D794,684	S	*	8/2017	Mauffette	D15/81
D803,602	S	*	11/2017	Hightower	D6/663
D814,215	S	*	4/2018	Yan	D6/660
2007/0228909	A1	*	10/2007	Hwang F25D 25/024	312/408
2008/0047209	A1	*	2/2008	Hinterholzer A47F 3/0434	52/208

* cited by examiner

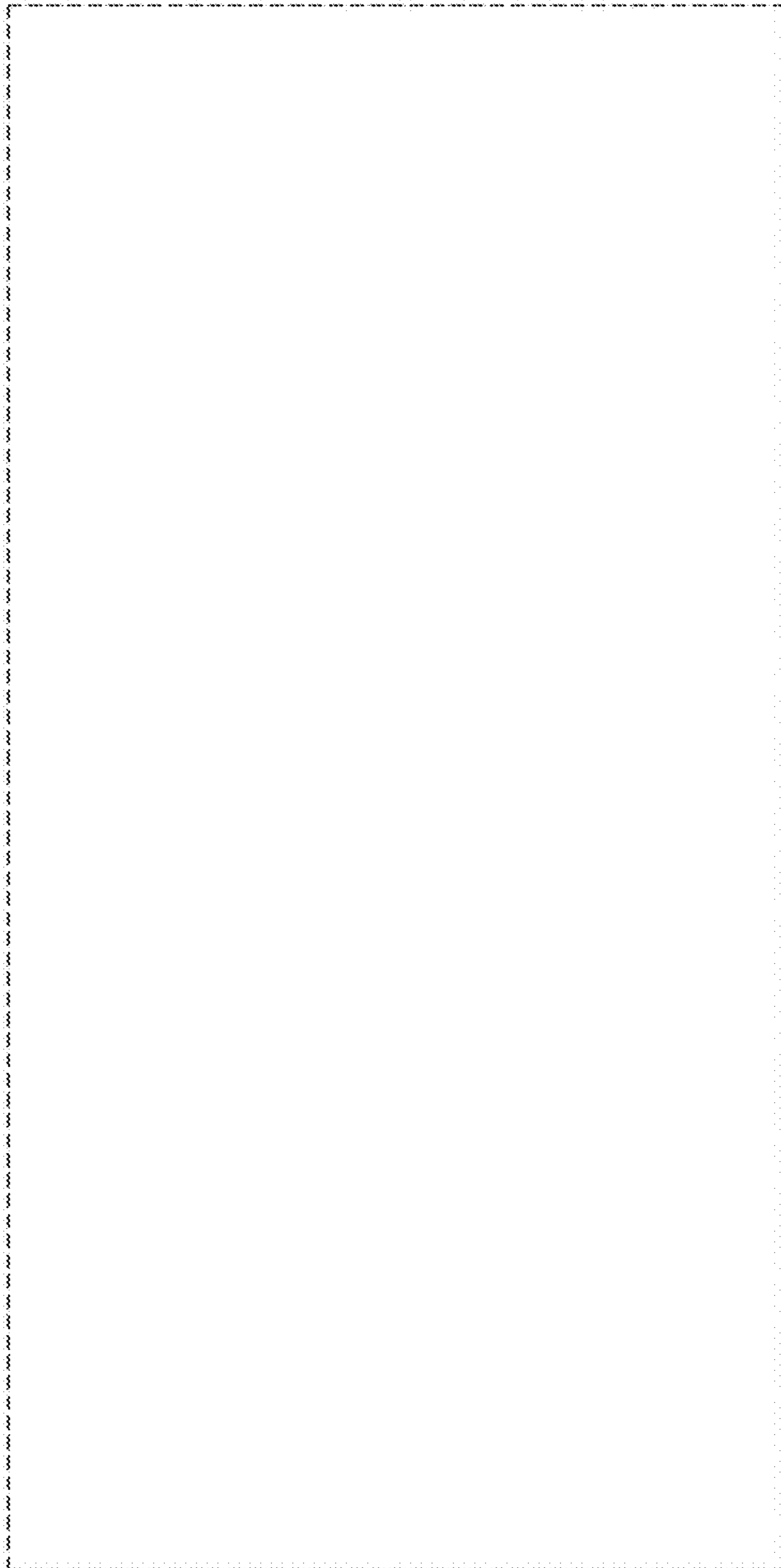
1.1



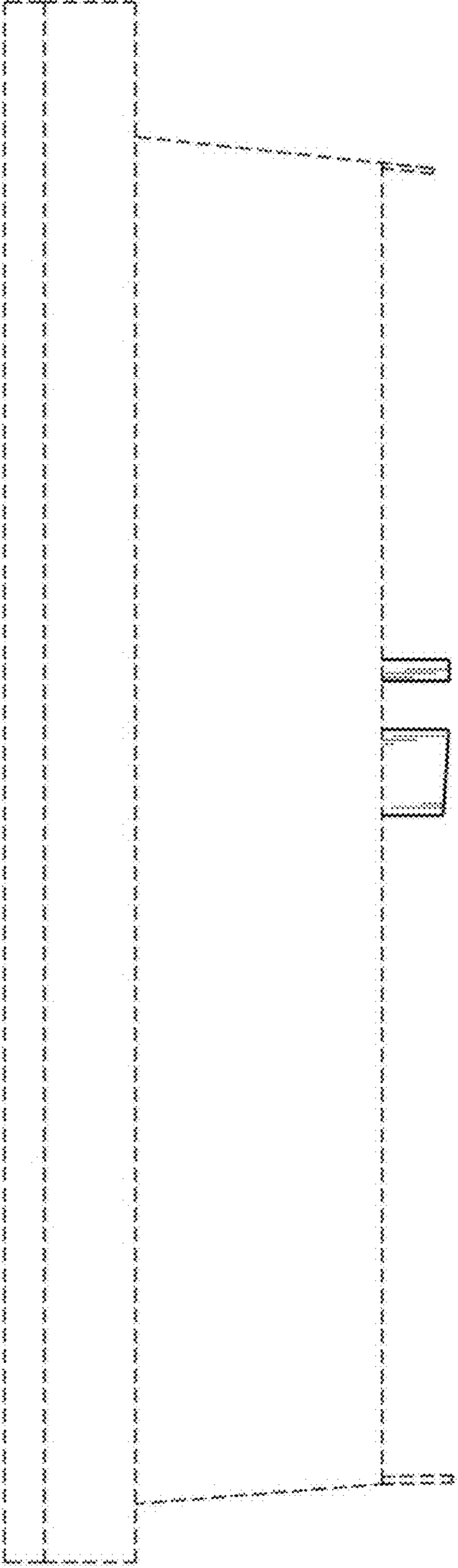
1.2



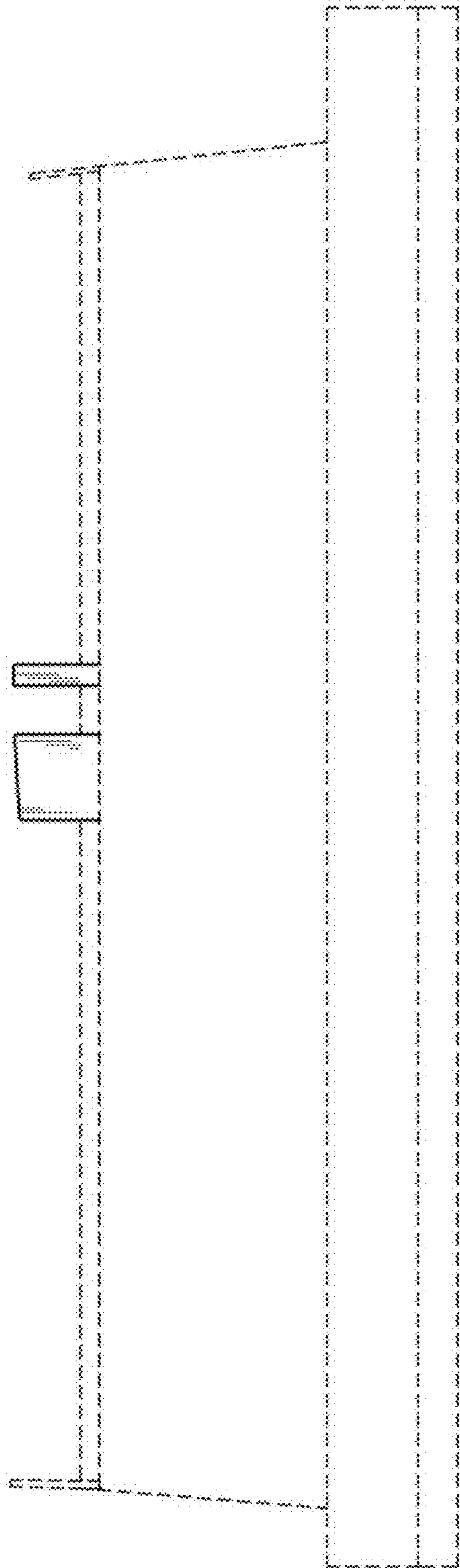
1.3



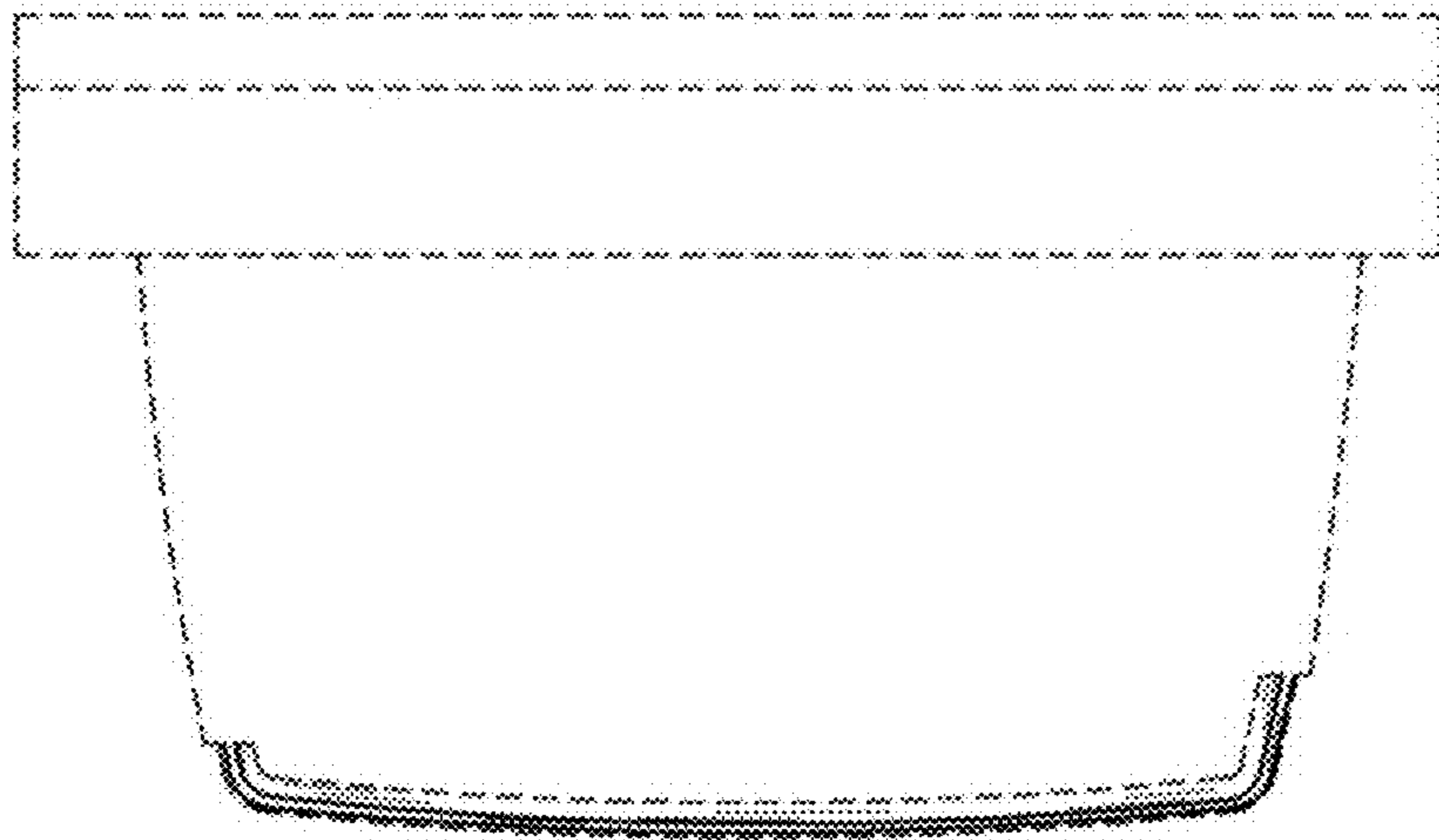
1.4



1.5



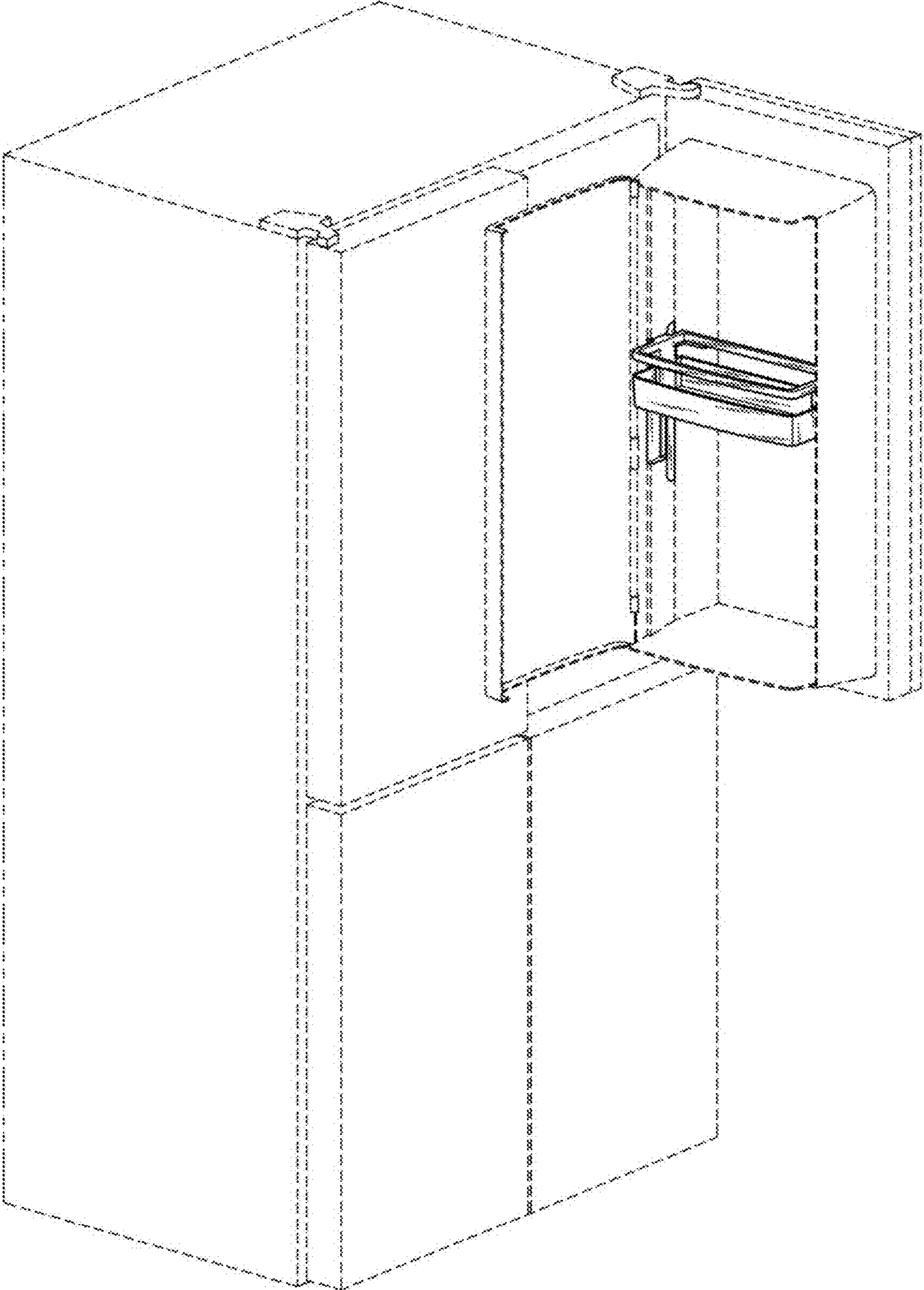
1.6



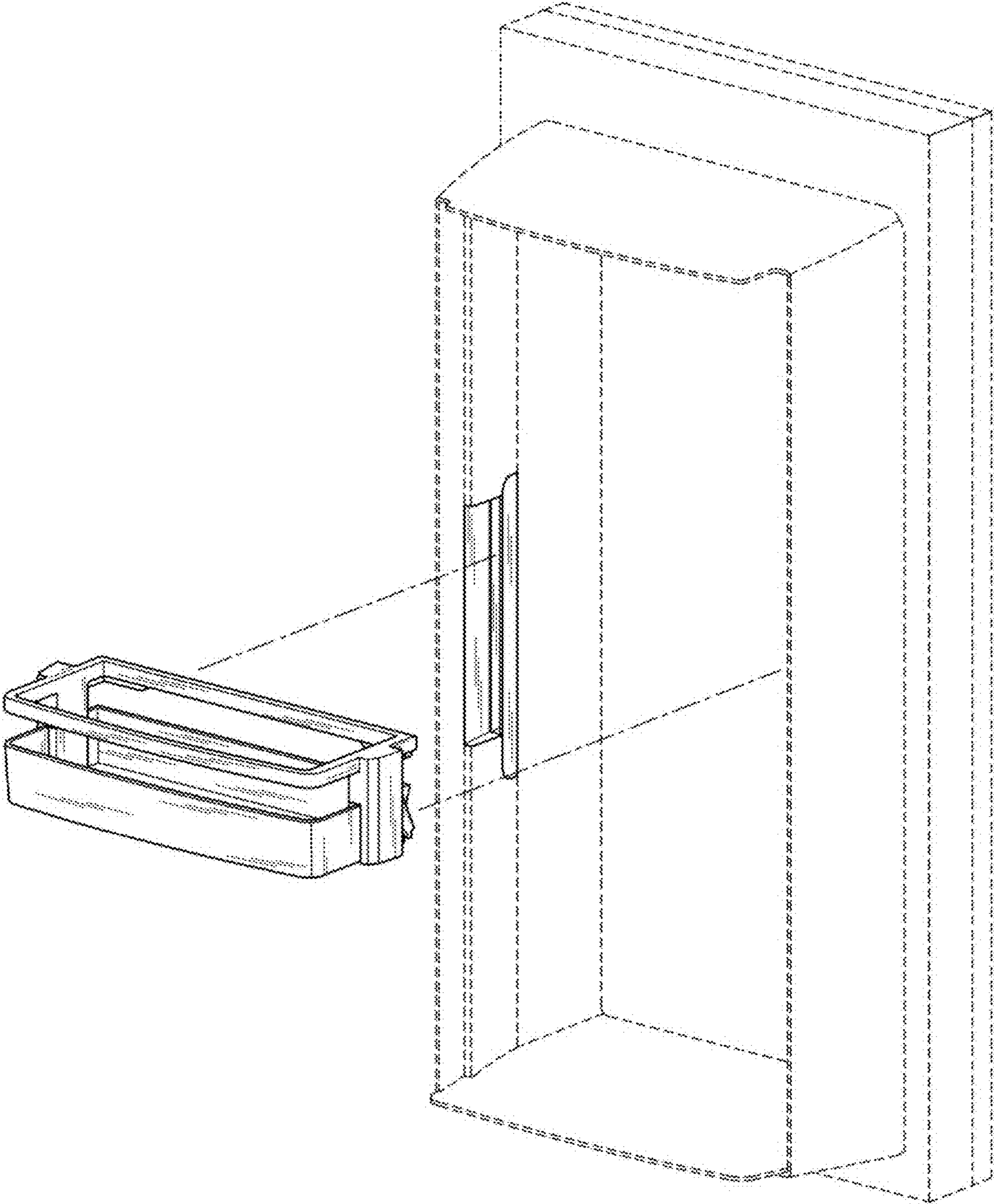
1.7



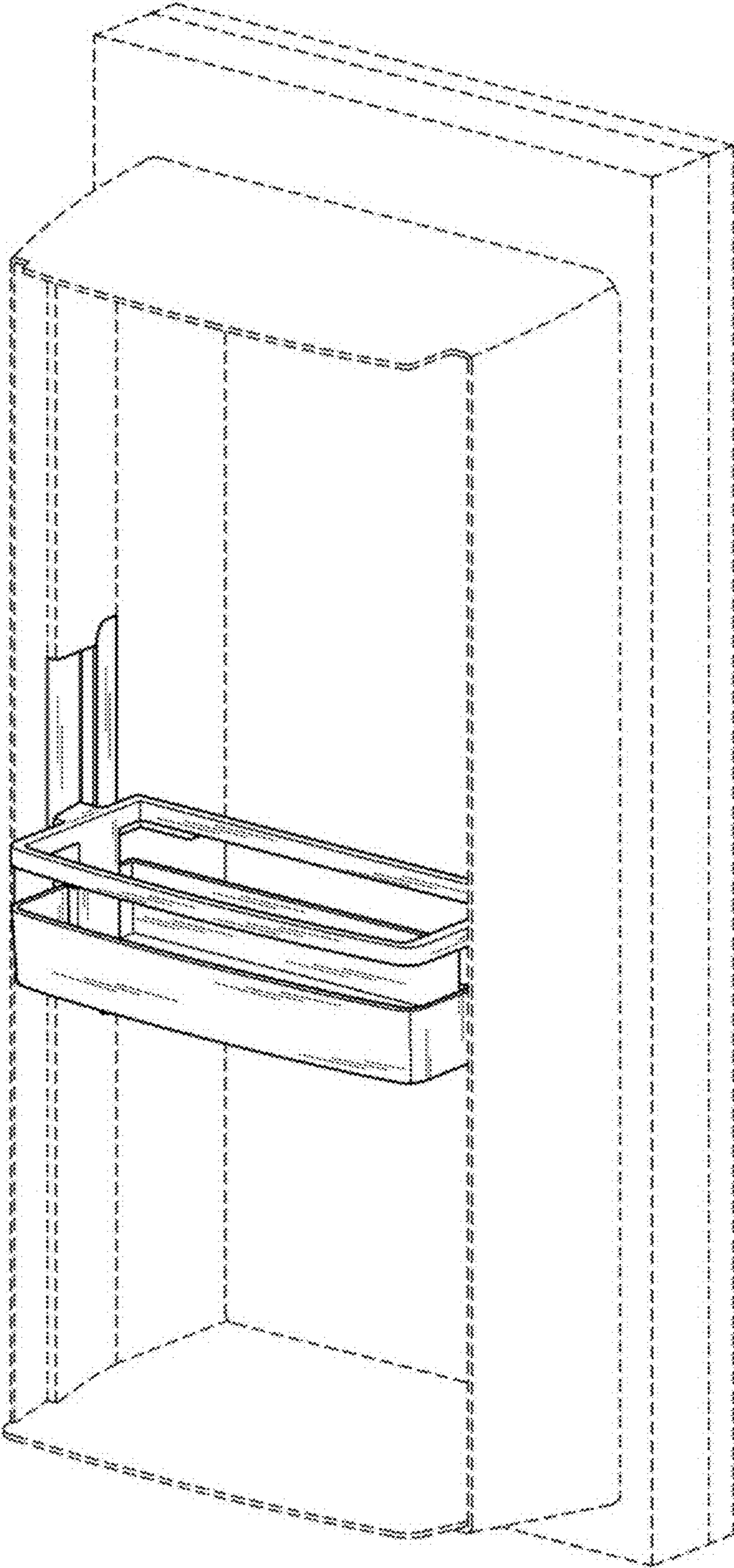
1.8



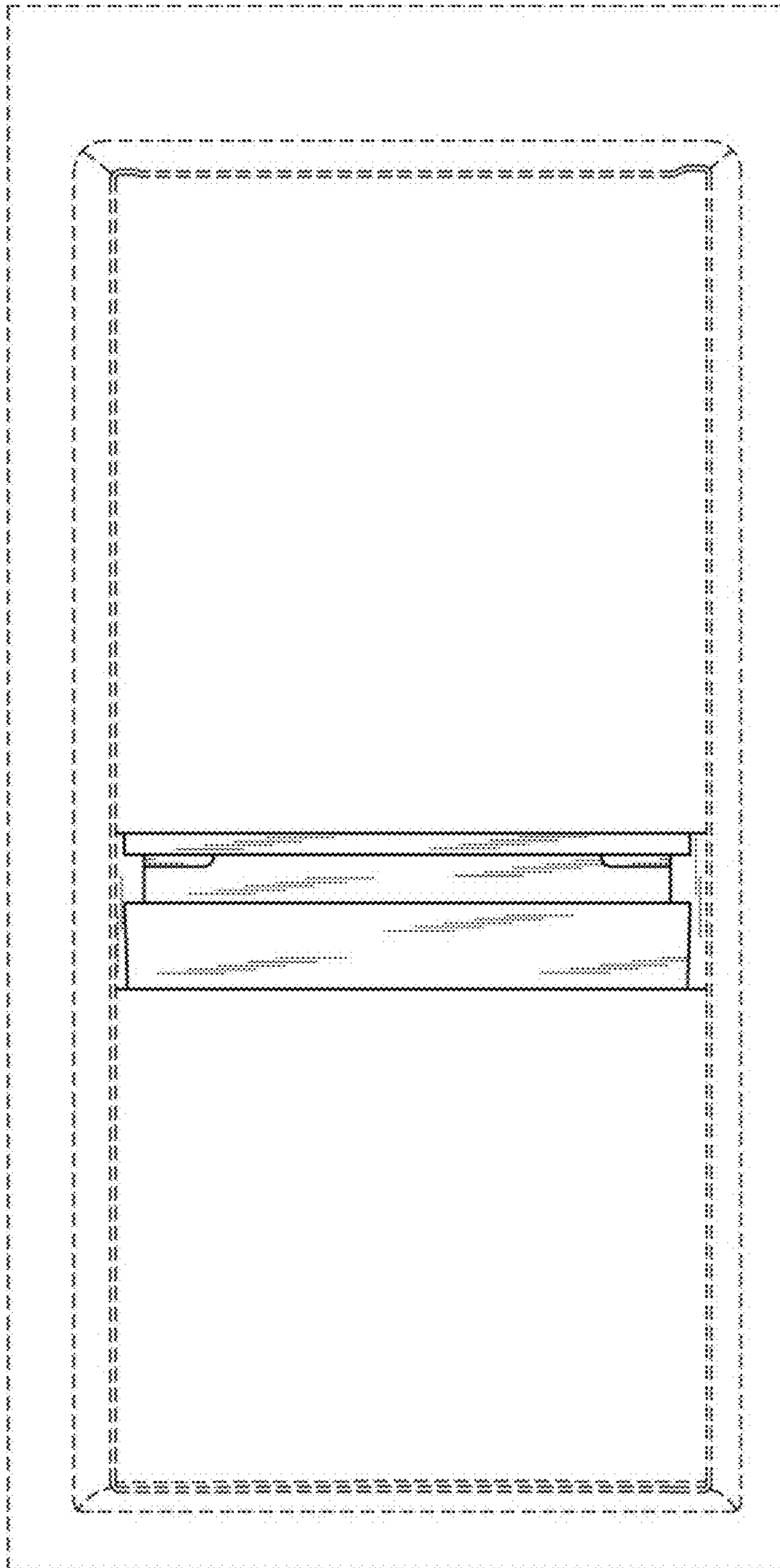
1.9



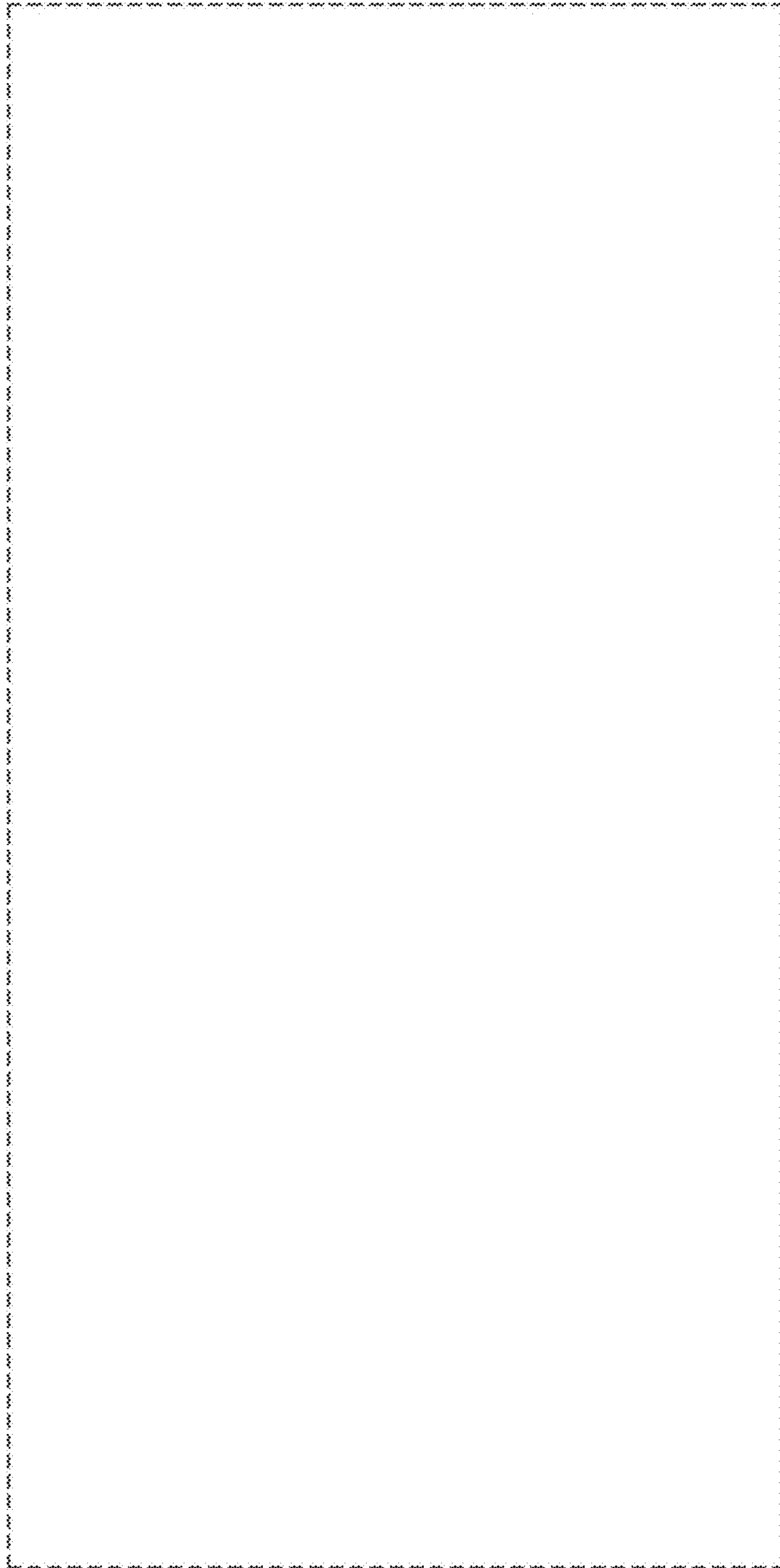
1.10



1.11



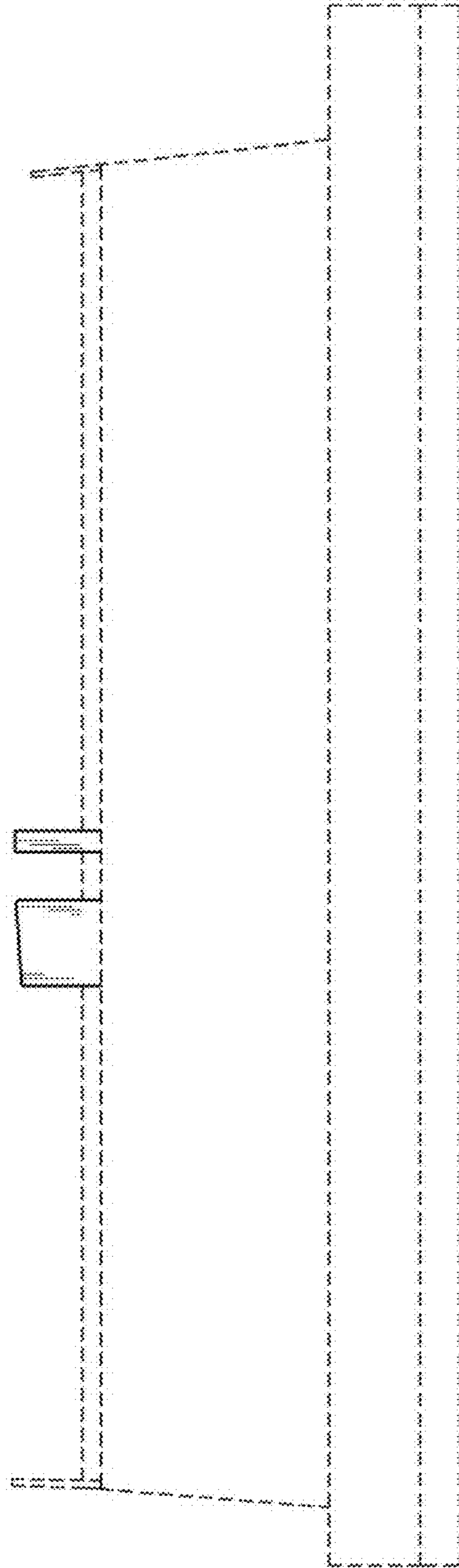
1.12



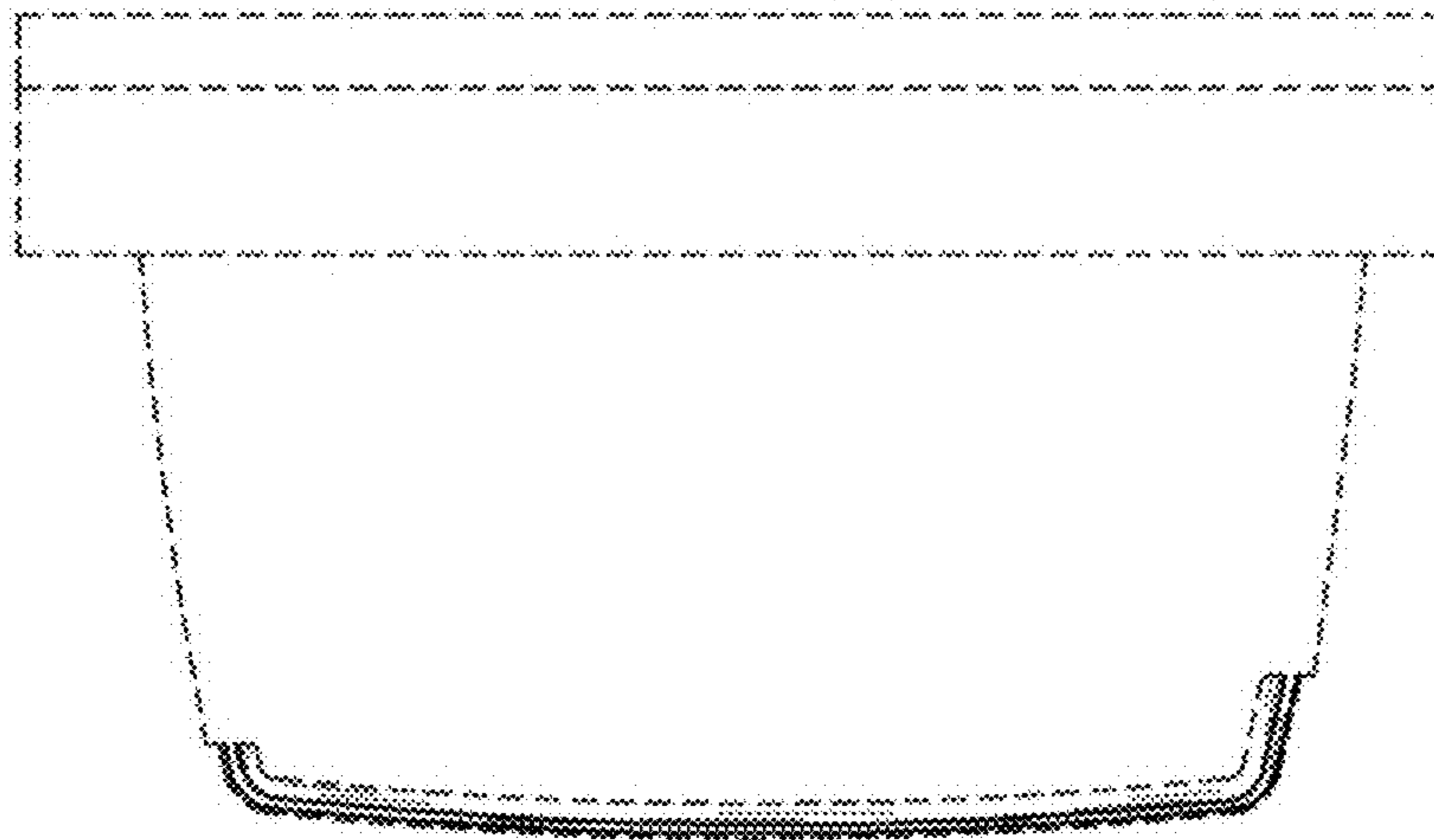
1.13



1.14



1.15



1.16

