

US00D839321S

(12) **United States Design Patent**  
**Burke et al.**

(10) **Patent No.:** **US D839,321 S**  
(45) **Date of Patent:** **\*\* Jan. 29, 2019**

- (54) **REFRIGERATOR**
- (71) Applicant: **WHIRLPOOL CORPORATION**,  
Benton Harbor, MI (US)
- (72) Inventors: **Julia B. Burke**, Chicago, IL (US);  
**Daniel Chow**, St. Joseph, MI (US);  
**Todd Tunzi**, St. Joseph, MI (US)
- (73) Assignee: **Whirlpool Corporation**, Benton  
Harbor, MI (US)
- (\*\*) Term: **15 Years**
- (21) Appl. No.: **29/632,824**
- (22) Filed: **Jan. 10, 2018**

**Related U.S. Application Data**

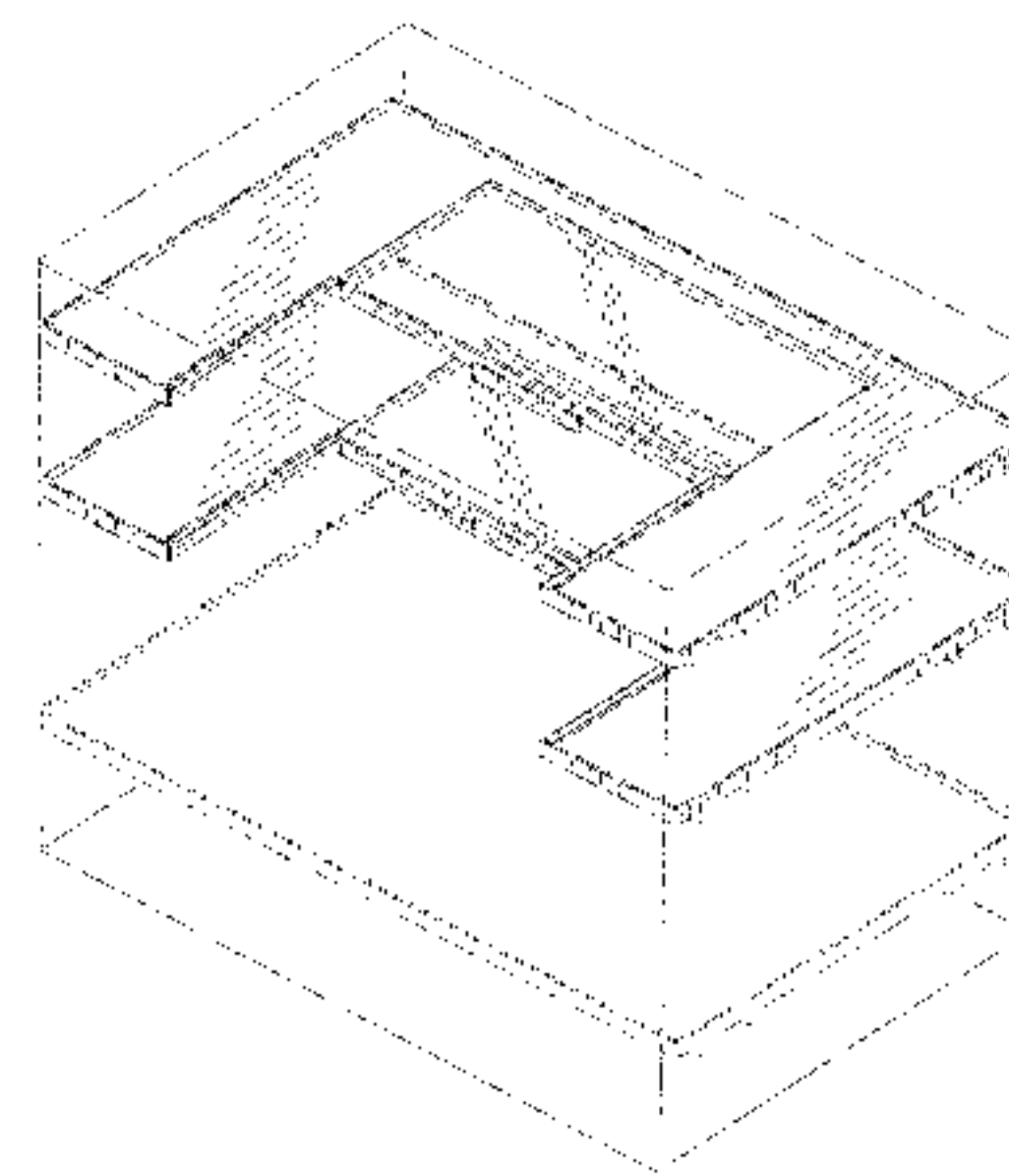
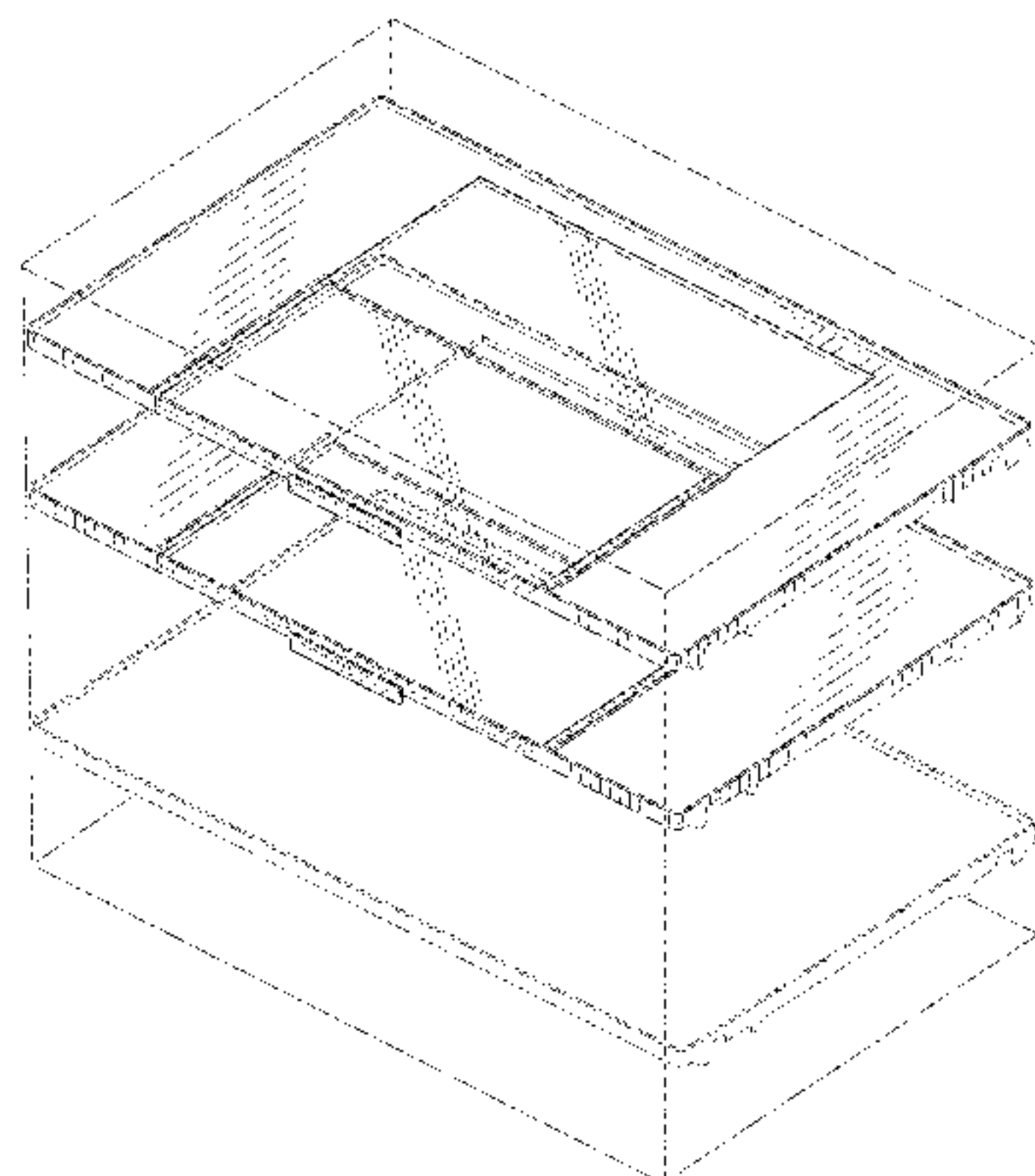
- (62) Division of application No. 29/520,679, filed on Mar.  
17, 2015, now Pat. No. Des. 810,795.
- (51) **LOC (11) Cl.** ..... **15-07**
- (52) **U.S. Cl.**  
USPC ..... **D15/89**
- (58) **Field of Classification Search**  
USPC ..... D15/79-91  
CPC ..... F25D 11/00; F25D 11/02; F25D 13/00;  
F25D 19/00; F25D 21/00; F25D 23/00;  
F25D 2321/1441; F25D 2325/021; F25D  
2325/022; F25D 2325/023  
See application file for complete search history.

(56) **References Cited**

**U.S. PATENT DOCUMENTS**

774,117 A	11/1904	Tandy
1,997,432 A	4/1935	Replogle
2,282,342 A	5/1942	Preble
2,412,904 A	12/1946	Money et al.
2,434,117 A	1/1948	Money et al.
2,466,360 A	4/1949	Bitney
2,509,592 A	5/1950	Giffard
2,517,385 A	8/1950	Clark
2,573,272 A	10/1951	Petkwitz
2,597,267 A	5/1952	Shoemaker et al.

2,694,906 A	11/1954	Didion	
2,710,993 A	6/1955	Kirkpatrick	
2,737,782 A	3/1956	Antico	
2,742,559 A	4/1956	Edelman	
2,748,573 A	6/1956	Staebler et al.	
2,773,677 A	12/1956	Hinkel	
2,804,068 A	8/1957	Miller et al.	
2,841,132 A	7/1958	Philipp	
2,875,016 A	2/1959	Fry	
3,410,260 A	11/1968	Morgan	
3,866,437 A	2/1975	Spencer	
3,984,163 A	10/1976	Boorman, Jr. et al.	
4,638,644 A	1/1987	Gidseg	
4,732,435 A	3/1988	Bailey et al.	
4,834,557 A	5/1989	Dreinhoff	
4,914,928 A	4/1990	Fellwock et al.	
4,998,382 A	3/1991	Kostos et al.	
5,362,145 A	11/1994	Bird et al.	
5,415,472 A	5/1995	Brise	
5,429,043 A	7/1995	Becker	
5,447,146 A	9/1995	Nickerson	
5,524,981 A	6/1996	Herrmann et al.	
5,564,809 A	10/1996	Kane et al.	
5,660,777 A	8/1997	Herrmann et al.	
5,735,589 A	4/1998	Herrmann et al.	
5,813,741 A	9/1998	Fish et al.	
5,918,959 A	7/1999	Lee	
6,045,101 A	4/2000	Goyette et al.	
6,174,482 B1	1/2001	Reames et al.	
6,220,684 B1	4/2001	Bent et al.	
6,474,094 B2	11/2002	Kim	
6,488,347 B1	12/2002	Bienick	
6,604,800 B2	8/2003	Hamilton	
6,811,045 B1	11/2004	Masker et al.	
D505,140 S *	5/2005	Reed	D15/89
D516,100 S *	2/2006	Vardon	D15/89
D516,102 S *	2/2006	Vardon	D15/89
D523,034 S *	6/2006	Vardon	D15/89
7,059,693 B2	6/2006	Park	
D525,633 S *	7/2006	Vardon	D15/89
7,070,249 B2	7/2006	Leimkuehler et al.	
7,131,545 B1	11/2006	Grogan	
7,178,890 B2	2/2007	Park et al.	
7,188,738 B2	3/2007	Stafford et al.	
7,232,194 B2	6/2007	Becke et al.	
D551,262 S *	9/2007	Becke	D15/89
7,270,385 B2	9/2007	Mathur et al.	
7,552,983 B2	6/2009	Shin	
7,651,182 B2	1/2010	Eveland et al.	
7,726,753 B2	6/2010	Bassi	
7,748,569 B2	7/2010	Sunatori	
7,748,806 B2	7/2010	Egan	
7,878,344 B2	2/2011	Martin et al.	





# US D839,321 S

7,976,113 B2 7/2011 Gwak  
 D656,970 S \* 4/2012 Merritt ..... D15/90  
 8,172,347 B2 5/2012 Lim et al.  
 8,182,056 B2 5/2012 Gossens et al.  
 8,240,512 B2 8/2012 Sunatori  
 D669,506 S \* 10/2012 Czach ..... D15/89  
 8,297,726 B2 10/2012 Ramm et al.  
 8,336,976 B2 12/2012 Lee  
 8,348,362 B2 1/2013 Candeo et al.  
 8,359,881 B2 1/2013 Junge et al.  
 8,381,949 B2 2/2013 Sunatori  
 8,403,438 B2 3/2013 Park et al.  
 8,414,095 B2 4/2013 Stewart  
 8,444,239 B2 5/2013 Gossens et al.  
 D692,034 S \* 10/2013 Seo ..... D15/89  
 8,562,089 B2 10/2013 Collins et al.  
 D694,288 S \* 11/2013 Hottmann ..... D15/89  
 D694,289 S \* 11/2013 Hottmann ..... D15/89  
 D694,292 S \* 11/2013 Eby ..... D15/89  
 8,616,665 B2 12/2013 Czach et al.  
 8,640,482 B2 2/2014 Lim et al.  
 8,726,689 B2 5/2014 Jang et al.  
 8,733,862 B1 5/2014 Armstrong et al.  
 D707,267 S \* 6/2014 Choi ..... D15/89  
 8,739,568 B2 6/2014 Allard et al.  
 D709,927 S \* 7/2014 Park ..... D15/89  
 8,777,341 B2 7/2014 Amaral et al.  
 D710,405 S \* 8/2014 Seo ..... D15/89  
 D710,406 S \* 8/2014 Seo ..... D15/89  
 D711,943 S \* 8/2014 Park ..... D15/89  
 8,833,882 B2 9/2014 Seo et al.  
 D714,840 S \* 10/2014 Yang ..... D15/89  
 D717,349 S \* 11/2014 Seo ..... D15/89  
 D719,986 S \* 12/2014 Kim ..... D15/89  
 8,960,826 B2 2/2015 Choo et al.  
 9,033,437 B2 5/2015 Klitzing et al.  
 D734,784 S \* 7/2015 Kim ..... D15/89  
 9,097,457 B2 8/2015 Kim  
 9,103,582 B2 8/2015 Nash et al.  
 9,127,878 B2 9/2015 Gossens et al.  
 9,151,534 B2 10/2015 Lee et al.  
 D745,581 S \* 12/2015 Jeon ..... D15/89  
 9,217,601 B2 12/2015 Koo et al.  
 D747,369 S \* 1/2016 McConnell ..... D15/89  
 D747,370 S \* 1/2016 Kim ..... D15/89  
 D747,371 S \* 1/2016 Lee ..... D15/89  
 D747,372 S \* 1/2016 Kim ..... D15/89  
 D747,373 S \* 1/2016 Lee ..... D15/89  
 D748,165 S \* 1/2016 McConnell ..... D15/89  
 9,234,690 B2 1/2016 McCollugh et al.  
 9,250,010 B2 2/2016 De La Garza et al.  
 9,297,573 B2 3/2016 Krause et al.  
 D754,759 S \* 4/2016 McConnell ..... D15/89  
 9,320,368 B2 4/2016 Marotti et al.  
 D756,551 S \* 5/2016 Handt ..... D26/28  
 9,328,955 B2 5/2016 Castro Solis et al.  
 9,339,993 B2 5/2016 Cites et al.  
 D761,884 S \* 7/2016 Austin ..... D15/89  
 9,488,405 B2 11/2016 Lee et al.  
 9,500,403 B2 11/2016 Seo et al.  
 9,510,679 B2 12/2016 Bhatt et al.  
 9,671,115 B2 6/2017 Elkasevic  
 9,945,601 B1 4/2018 Bhavsar et al.  
 2003/0020387 A1 1/2003 Wing et al.  
 2004/0012314 A1 1/2004 Hay et al.  
 2004/0104323 A1 6/2004 Hubert et al.  
 2005/0073225 A1 4/2005 Kwon et al.  
 2006/0145577 A1 7/2006 Daley et al.  
 2006/0226751 A1 10/2006 Park  
 2007/0126325 A1 6/2007 Gorz et al.  
 2008/0203041 A1 8/2008 Lim et al.  
 2010/0024464 A1 2/2010 Hwang et al.  
 2010/0102693 A1 4/2010 Driver et al.  
 2010/0109498 A1 5/2010 Ramm et al.  
 2011/0001415 A1 1/2011 Park et al.  
 2011/0072846 A1 3/2011 Engel et al.  
 2011/0115356 A1 5/2011 Nash et al.  
 2012/0018434 A1 1/2012 Gwak  
 2012/0091084 A1 4/2012 Amaral et al.

2012/0223038 A1 9/2012 Bean  
 2012/0248958 A1 10/2012 Ertz et al.  
 2013/0020922 A1 1/2013 Jang  
 2015/0034668 A1 2/2015 Minard et al.  
 2015/0061484 A1 3/2015 Jeong et al.  
 2015/0107084 A1 4/2015 Craycraft et al.  
 2015/0168048 A1 6/2015 Sexton et al.  
 2015/0184929 A1 7/2015 Moon  
 2016/0290707 A1 10/2016 Burke et al.  
 2017/0086580 A1 3/2017 Conti  
 2017/0181538 A1 6/2017 Azkue et al.

## FOREIGN PATENT DOCUMENTS

BR	PI0100491	B1	6/2009
BR	PI0805999	A2	6/2010
CN	101611281	A	12/2009
CN	201779952	U	3/2011
CN	102395849	A	3/2012
CN	102494496	A	6/2012
CN	202432813	U	9/2012
CN	102135363	B	12/2012
CN	102829604	A	12/2012
CN	102889744	A	1/2013
DE	8801508	U1	6/1989
DE	10107646	A1	8/2002
DE	102009045363	A1	4/2011
DE	102013216974	A1	4/2014
DE	102012223131	A1	6/2014
EP	577939	A1	1/1994
EP	1790250	A2	5/2007
EP	1349802	B1	8/2008
EP	2072937	A2	6/2009
EP	2098810	A2	9/2009
EP	2424421	B1	10/2015
EP	2926069	B1	10/2015
EP	2760315	B1	8/2016
JP	H10115485	A	5/1998
JP	H10122733	A	5/1998
JP	H11237173	A	8/1999
JP	2002090054	A	3/2002
KR	20030061668	B1	7/2003
KR	100431346	B1	5/2004
KR	1020030007247		8/2004
KR	20040095421	A	11/2004
KR	1020040095510		3/2006
KR	100756887	B1	9/2007
KR	20100023474	A	3/2010
KR	20140022598	A	2/2014
WO	0214761	A1	2/2002
WO	2004104504	A1	12/2004
WO	2005012812	A1	2/2005
WO	2007128734	A1	11/2007
WO	2008015180	A1	2/2008
WO	2009155679	A1	12/2009
WO	2011009773	A2	1/2011
WO	2011080109	A2	7/2011
WO	2012025382	A2	3/2012
WO	2012062670	A2	5/2012
WO	2013126515	A1	8/2013
WO	2015101430	A1	7/2015
WO	2015101434	A1	7/2015
WO	2015149832	A1	10/2015
WO	2015165531	A1	11/2015
WO	2016155784	A1	10/2016
WO	2017005314	A1	1/2017

## OTHER PUBLICATIONS

“Refrigerator Capacity & Organization: Making Room for More,”  
 GE Appliances, website, date unknown, <http://www.geappliances.ca/en/shopping-guides-and-design-ideas/shopping-guides/refrigerators/make-room-for-more-in-the-refrigerator>.  
 “GE Profile Side by Side Refrigerators,” Abt, website, date unknown,  
[http://www.abt.com/ge/GE\\_Profile\\_SidebySide](http://www.abt.com/ge/GE_Profile_SidebySide).

\* cited by examiner

*Primary Examiner* — Ian Simmons  
*Assistant Examiner* — Khawaja Anwar  
(74) *Attorney, Agent, or Firm* — Price Heneveld LLP

(57) **CLAIM**

The ornamental design for a refrigerator, as shown and described.

**DESCRIPTION**

FIG. 1 is a front view of the refrigerator according to a first embodiment of our design in a first configuration thereof, the design shown in place within an unclaimed refrigerator, and back, right side, left side, top and bottom views of the design showing no claimed portion of the design when in place within unclaimed portions of the refrigerator;  
FIG. 2 is a front-perspective view of the refrigerator of FIG. 1 with unclaimed portions of the refrigerator removed;  
FIG. 3 is a front view thereof;  
FIG. 4 is a back view thereof;  
FIG. 5 is a right side view thereof;  
FIG. 6 is a left side view thereof;  
FIG. 7 is a top view thereof;  
FIG. 8 is a bottom view thereof;  
FIG. 9 is a front view of the refrigerator according to the first embodiment of our design in a second configuration thereof,

the design shown in place within unclaimed portions of the refrigerator, and back, right side, left side, top and bottom views of the design showing no claimed portion of the design when in place within the unclaimed refrigerator;  
FIG. 10 is a front-perspective view of the refrigerator of FIG. 9 with portions of the unclaimed portions of the refrigerator removed;  
FIG. 11 is a front view thereof;  
FIG. 12 is a back view thereof;  
FIG. 13 is a right side view thereof;  
FIG. 14 is a left side view thereof;  
FIG. 15 is a top view thereof; and,  
FIG. 16 is a bottom view thereof.

Broken lines are environmental only and form no part of the claimed design.

Additionally, broken lines between shaded and un-shaded areas represent bounds of the claimed design.

The applied shades in the drawings are presented to show a contrast in appearance.

The dash-dot depiction of a rectangular prism in FIGS. 2-9, and 10-16 that encloses claimed portions of the refrigerator with unclaimed portions of the refrigerator depicted in FIGS. 1 and 9 removed is similarly unclaimed and represents a space within an interior of the refrigerator in which the claimed portion of the refrigerator may be present.

**1 Claim, 16 Drawing Sheets**

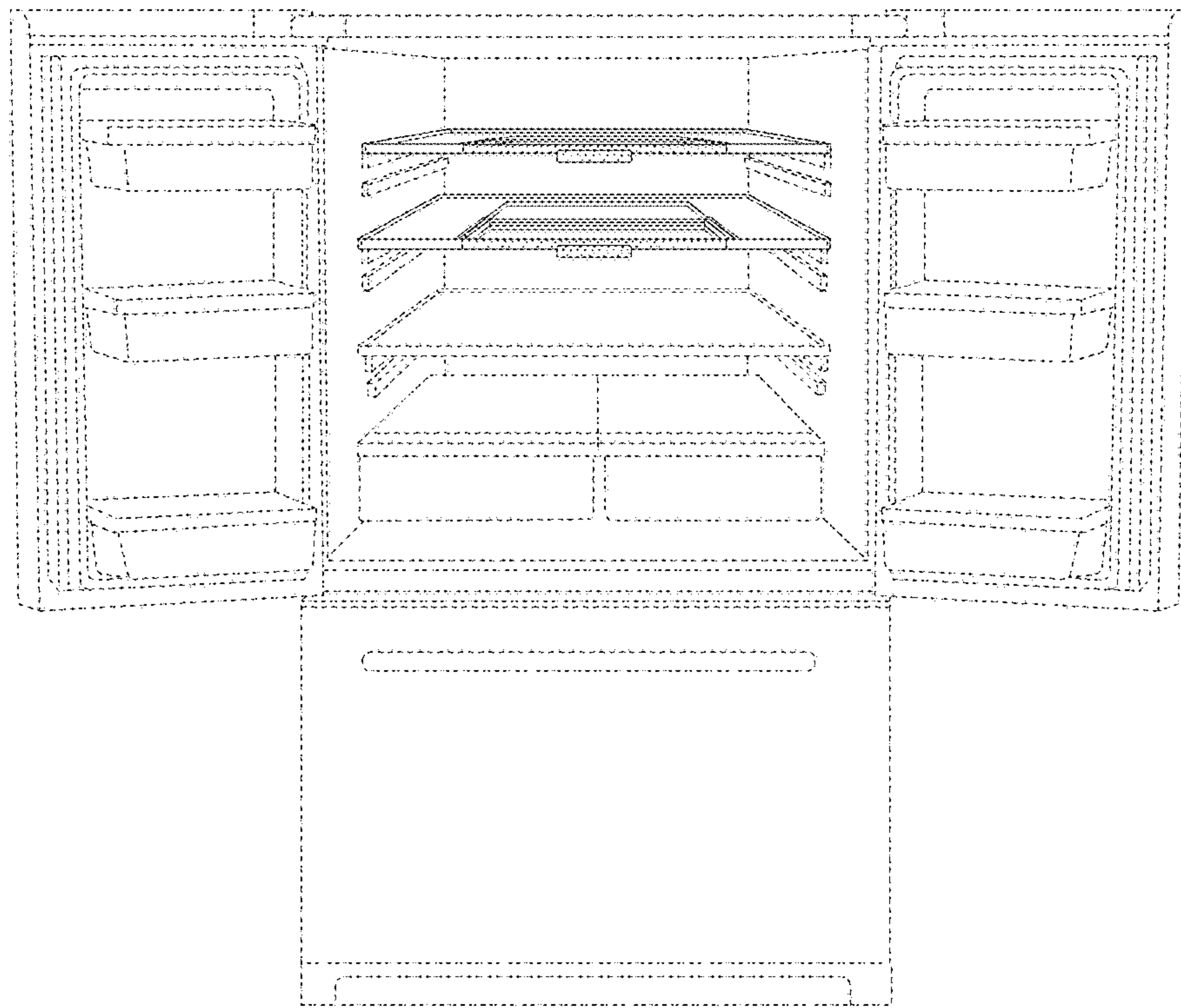
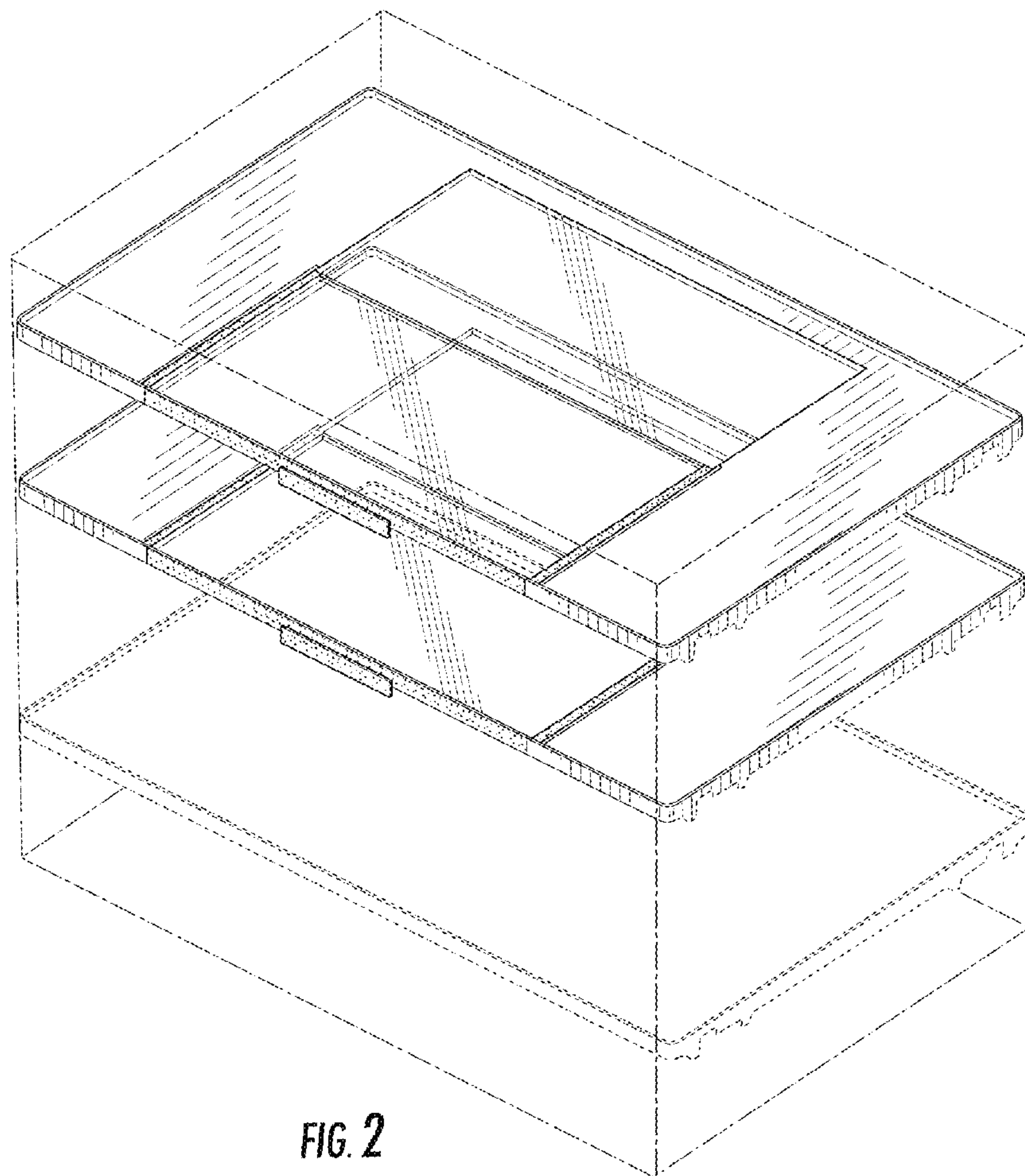


FIG. 1





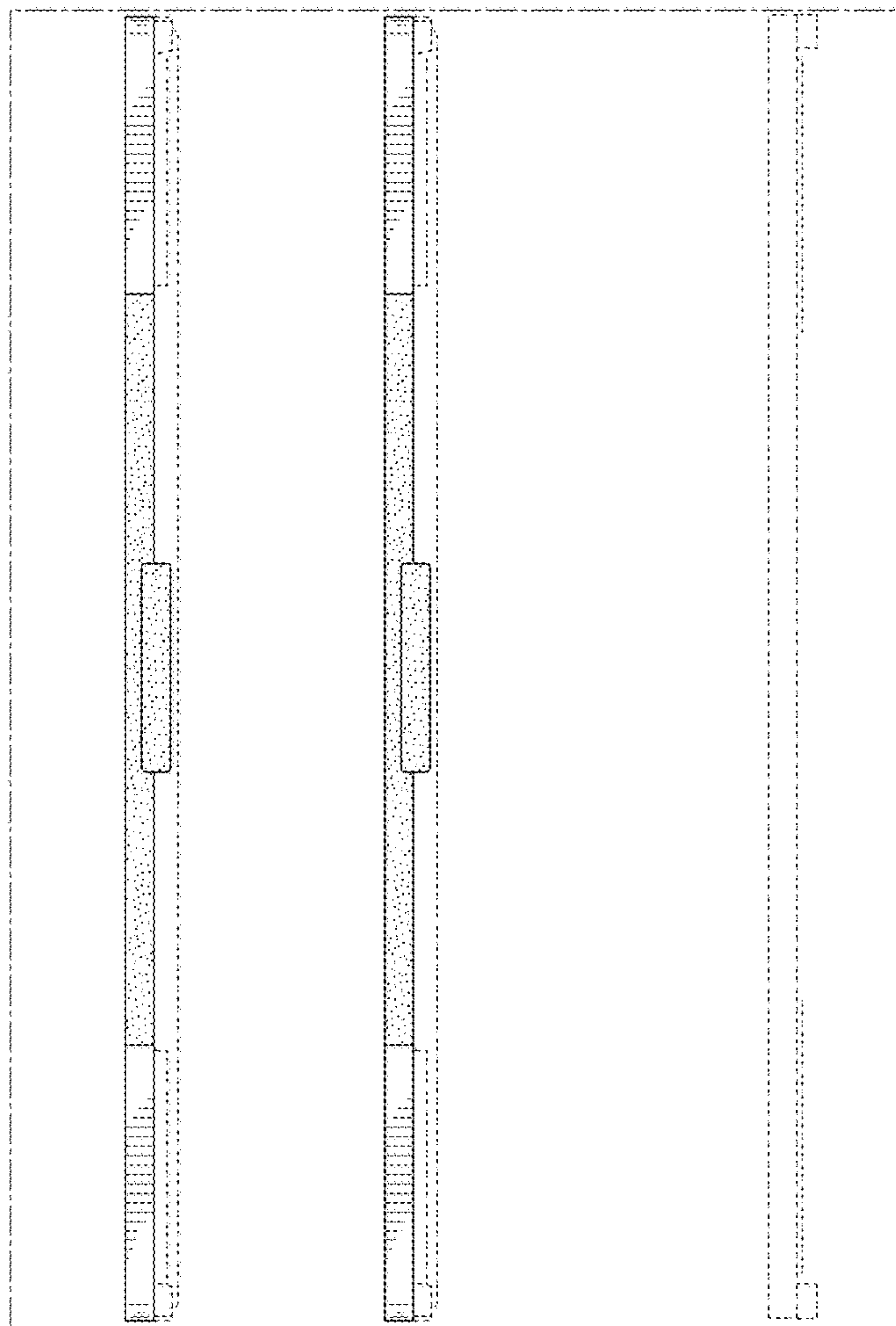


FIG. 3

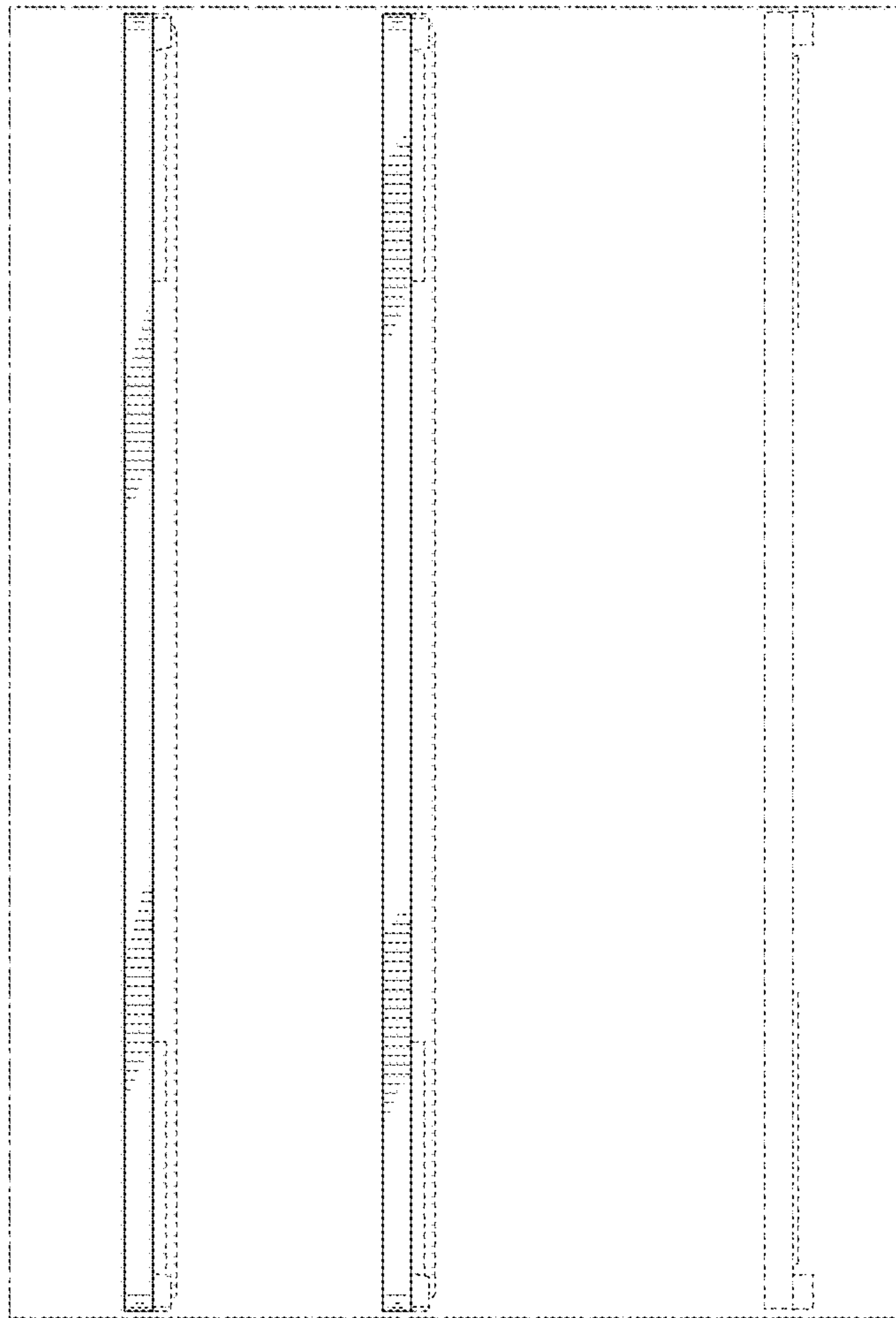


FIG. 4

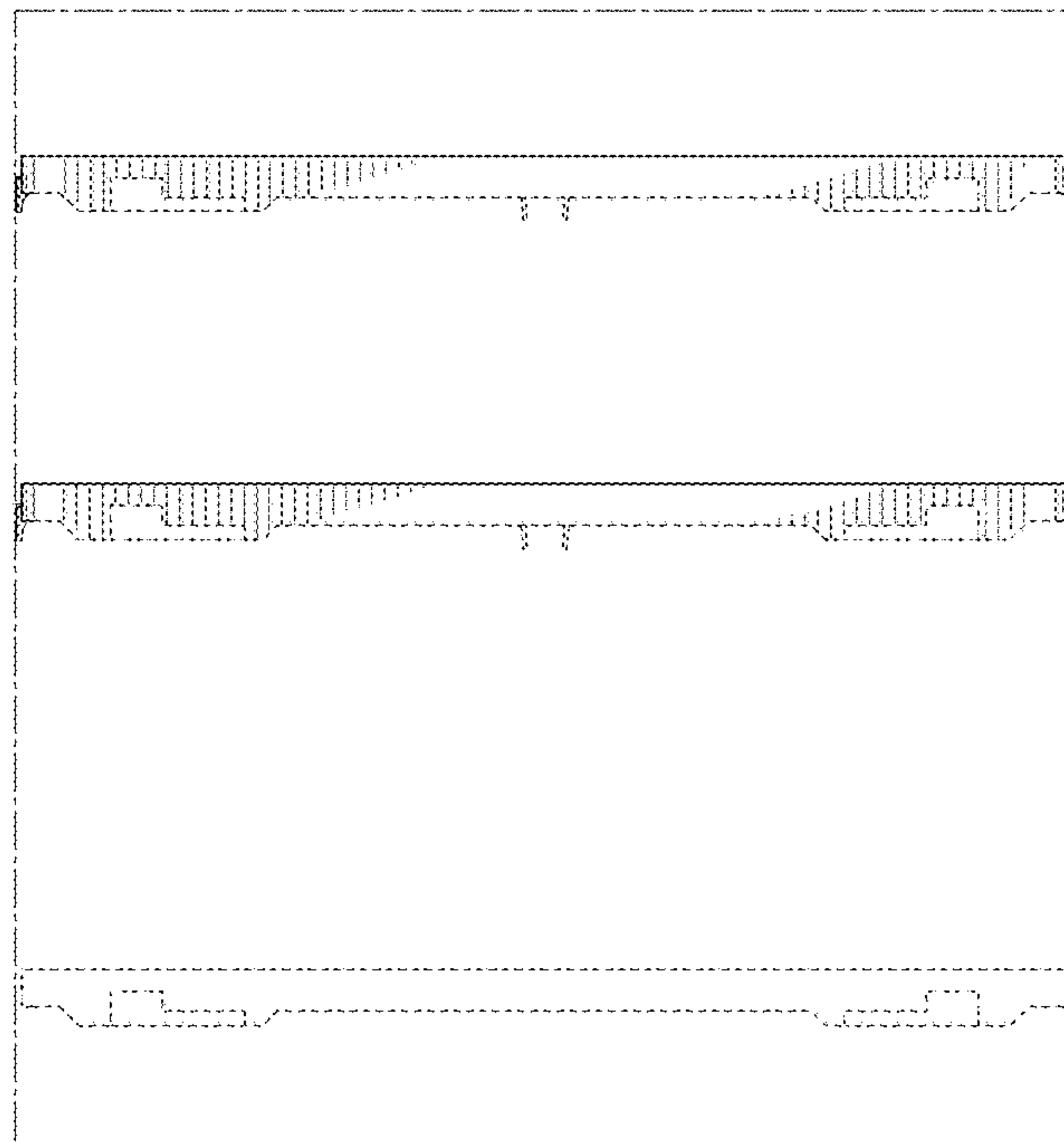


FIG. 5



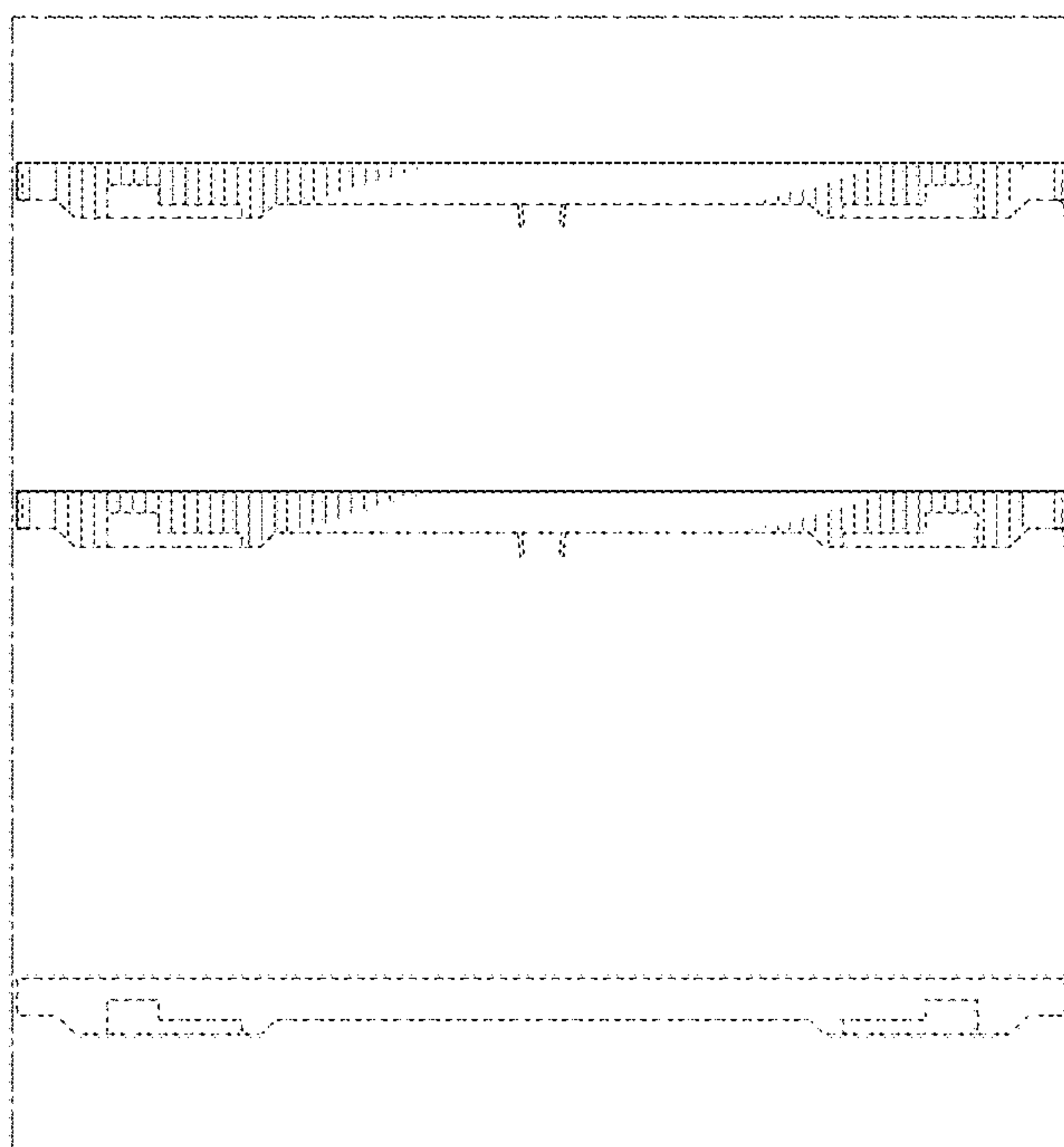


FIG. 6

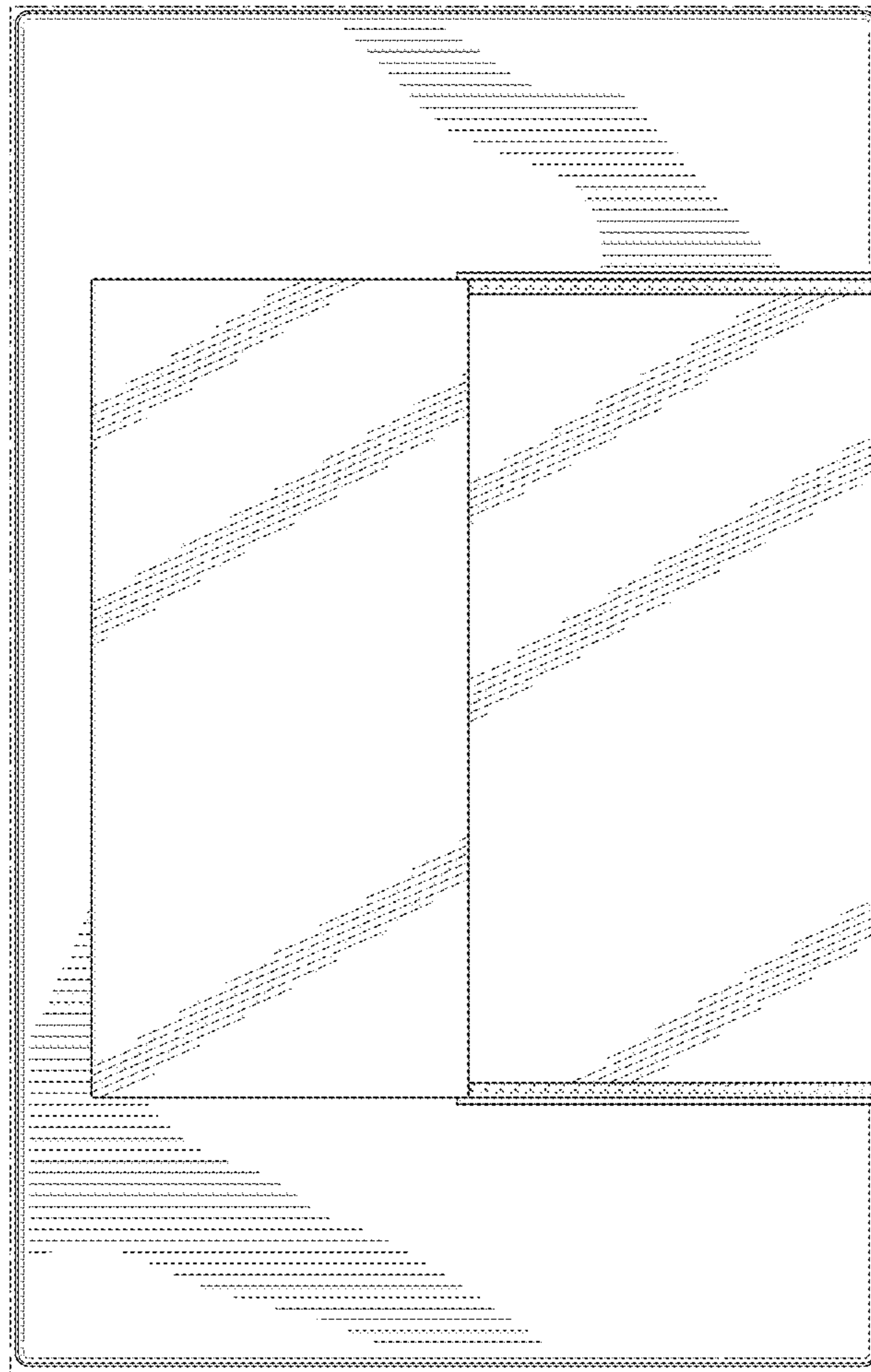


FIG. 7

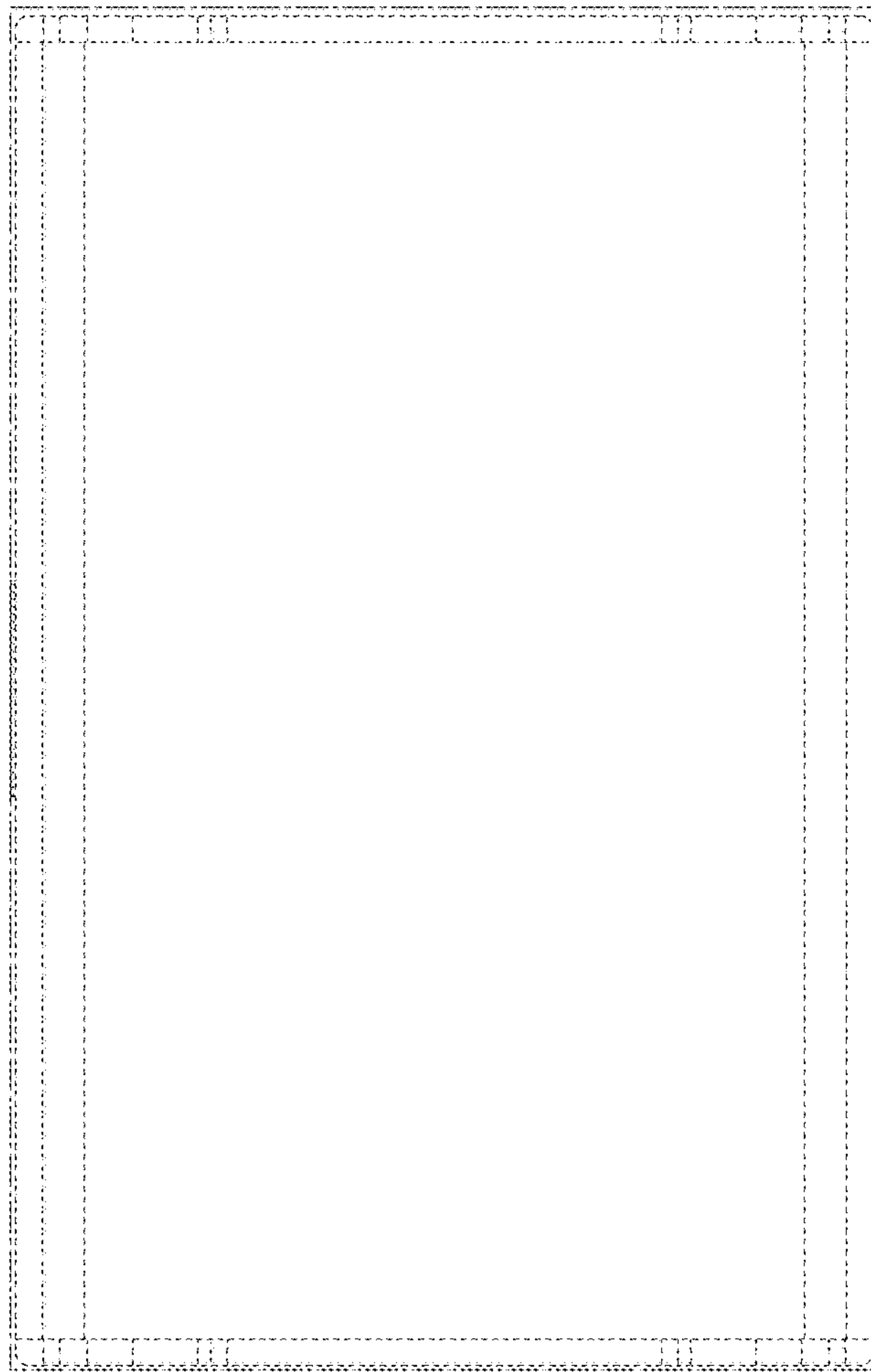


FIG. 8

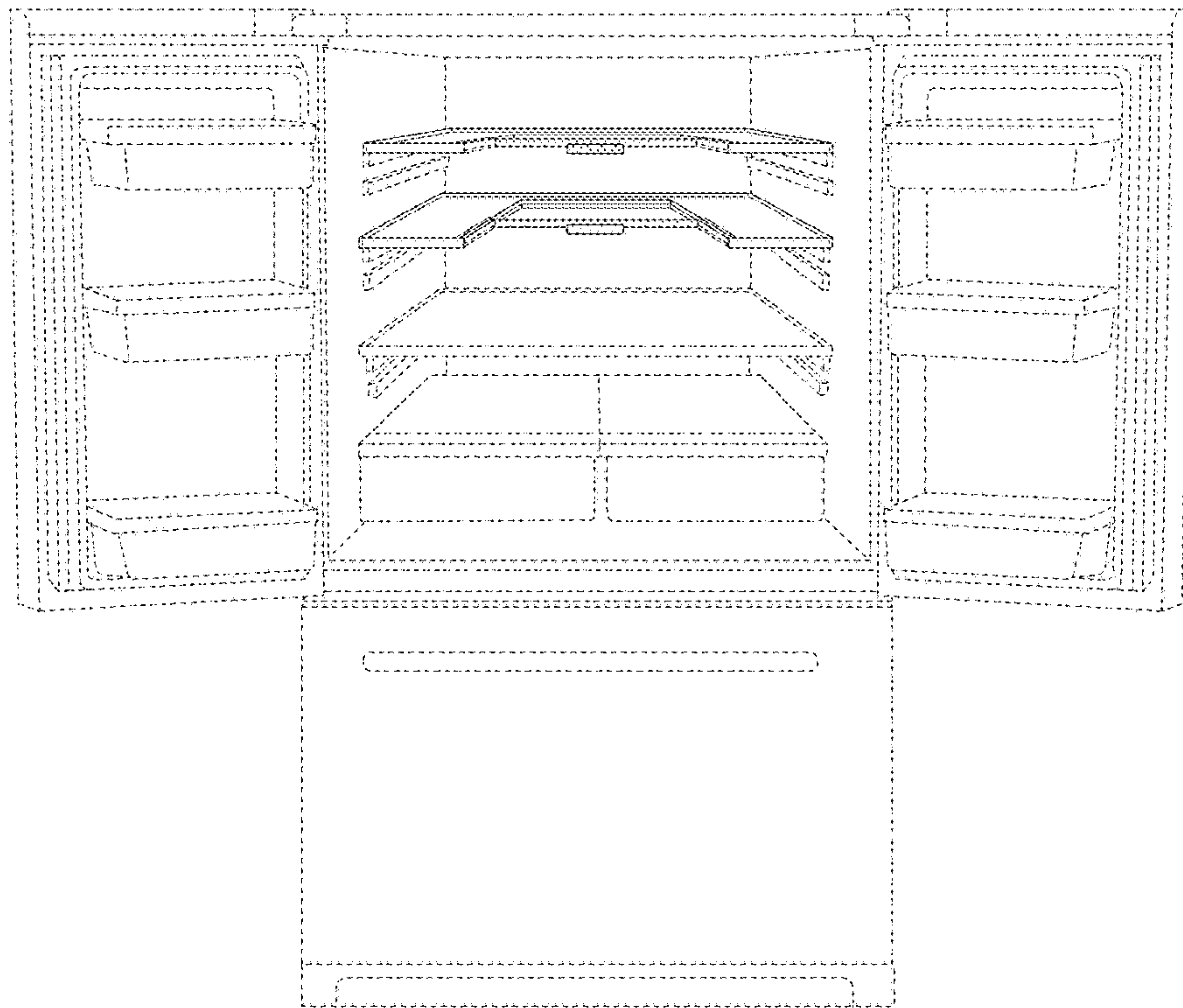


FIG. 9



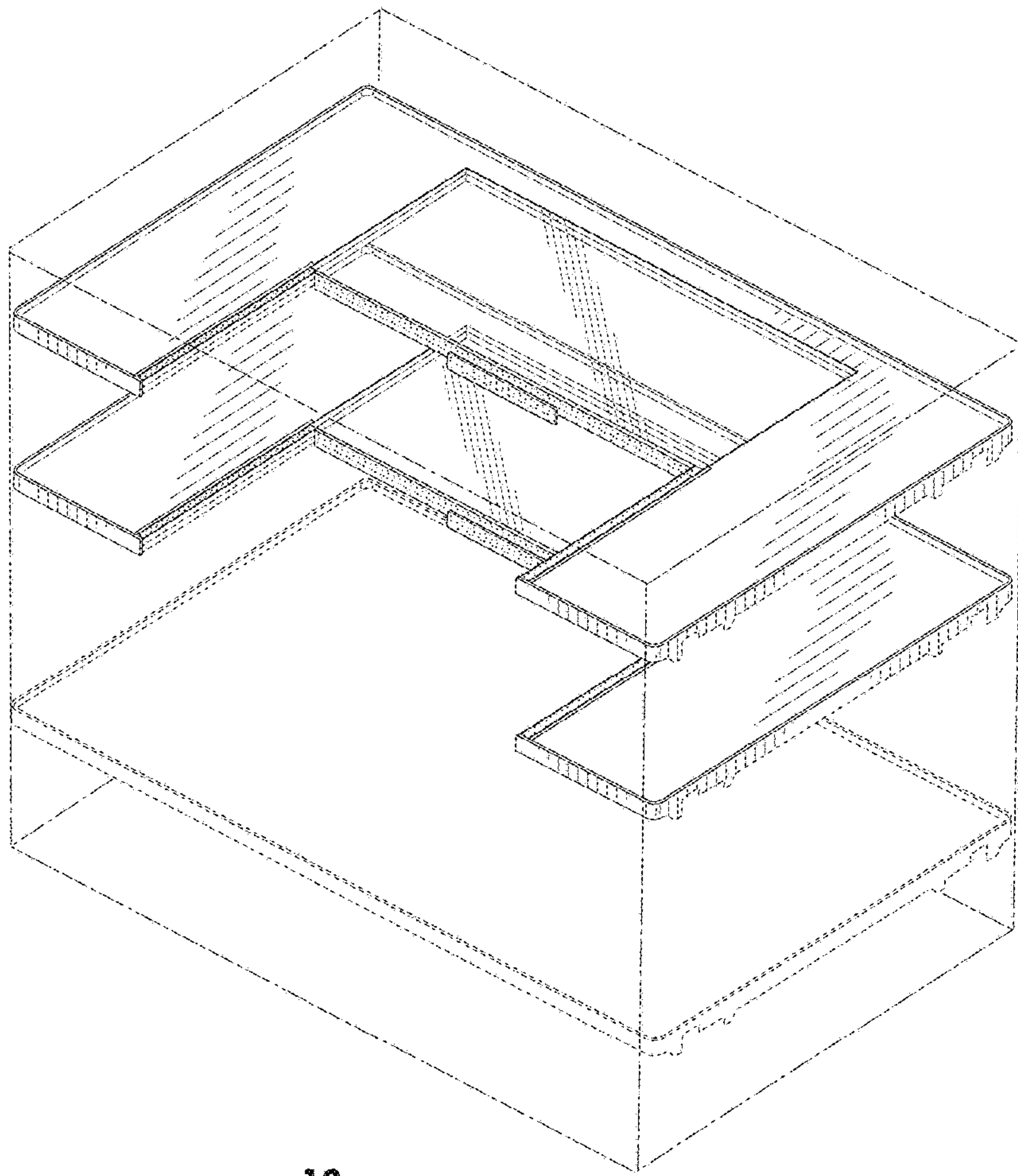


FIG. 10

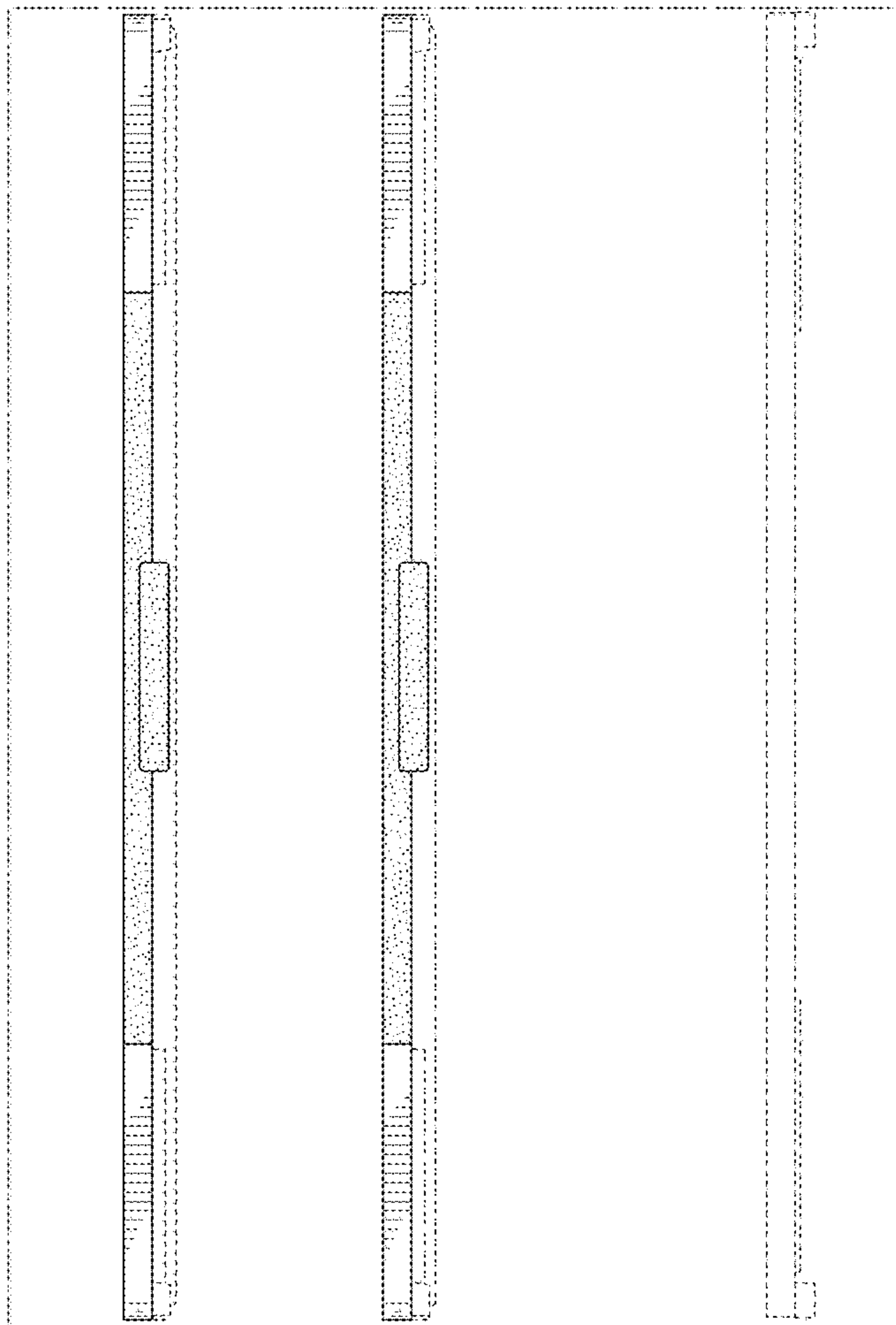


FIG. 11

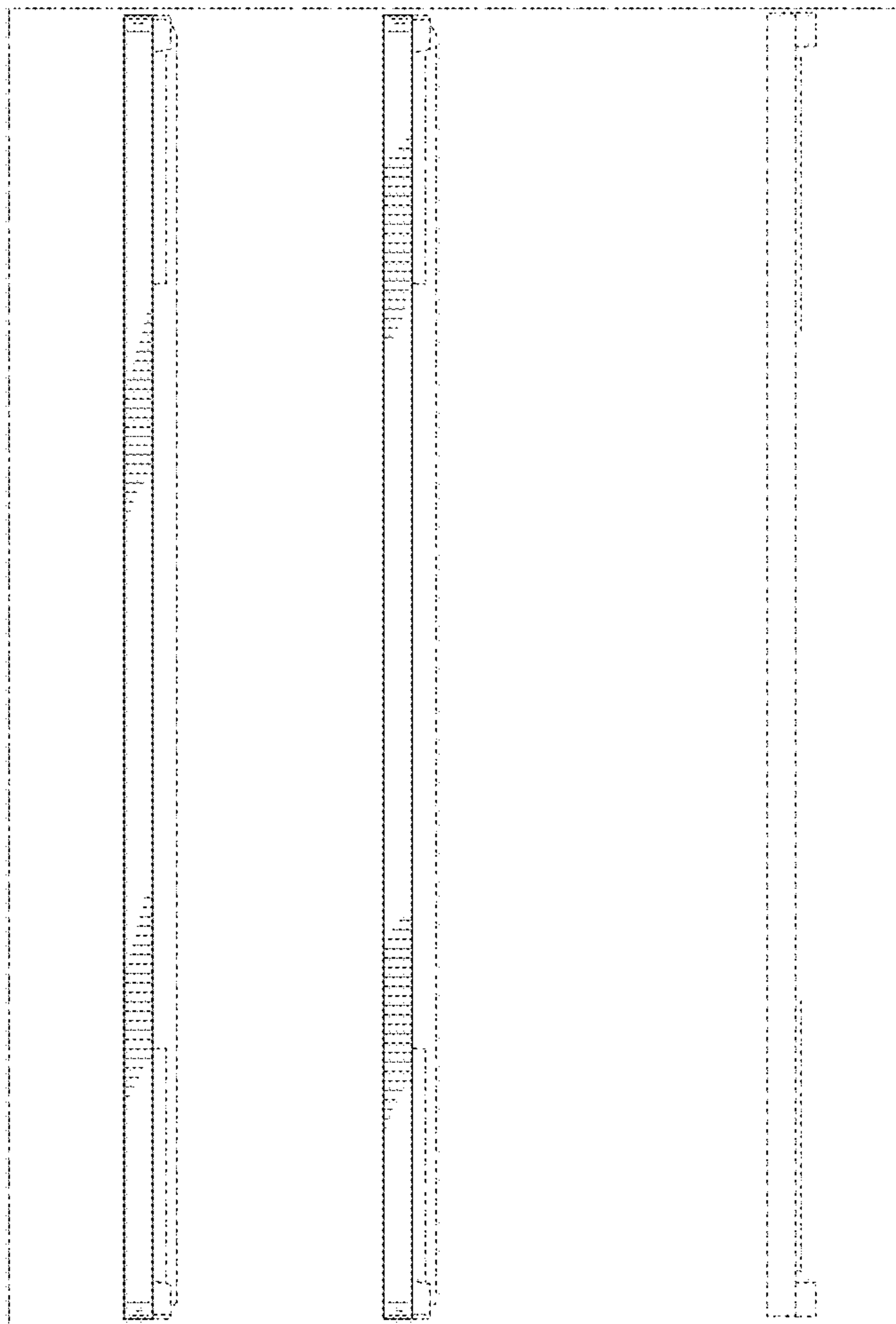


FIG. 12

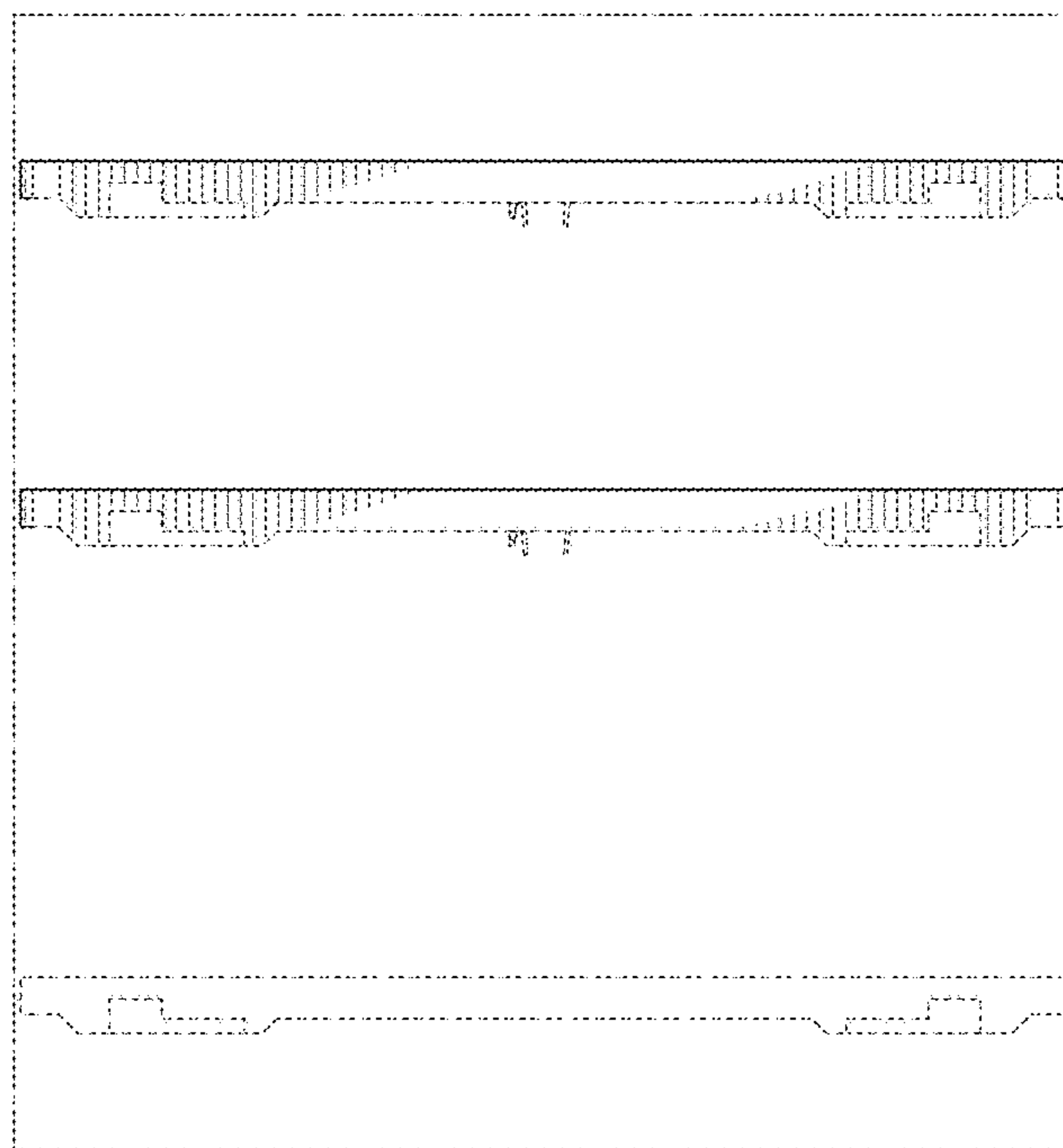


FIG. 13



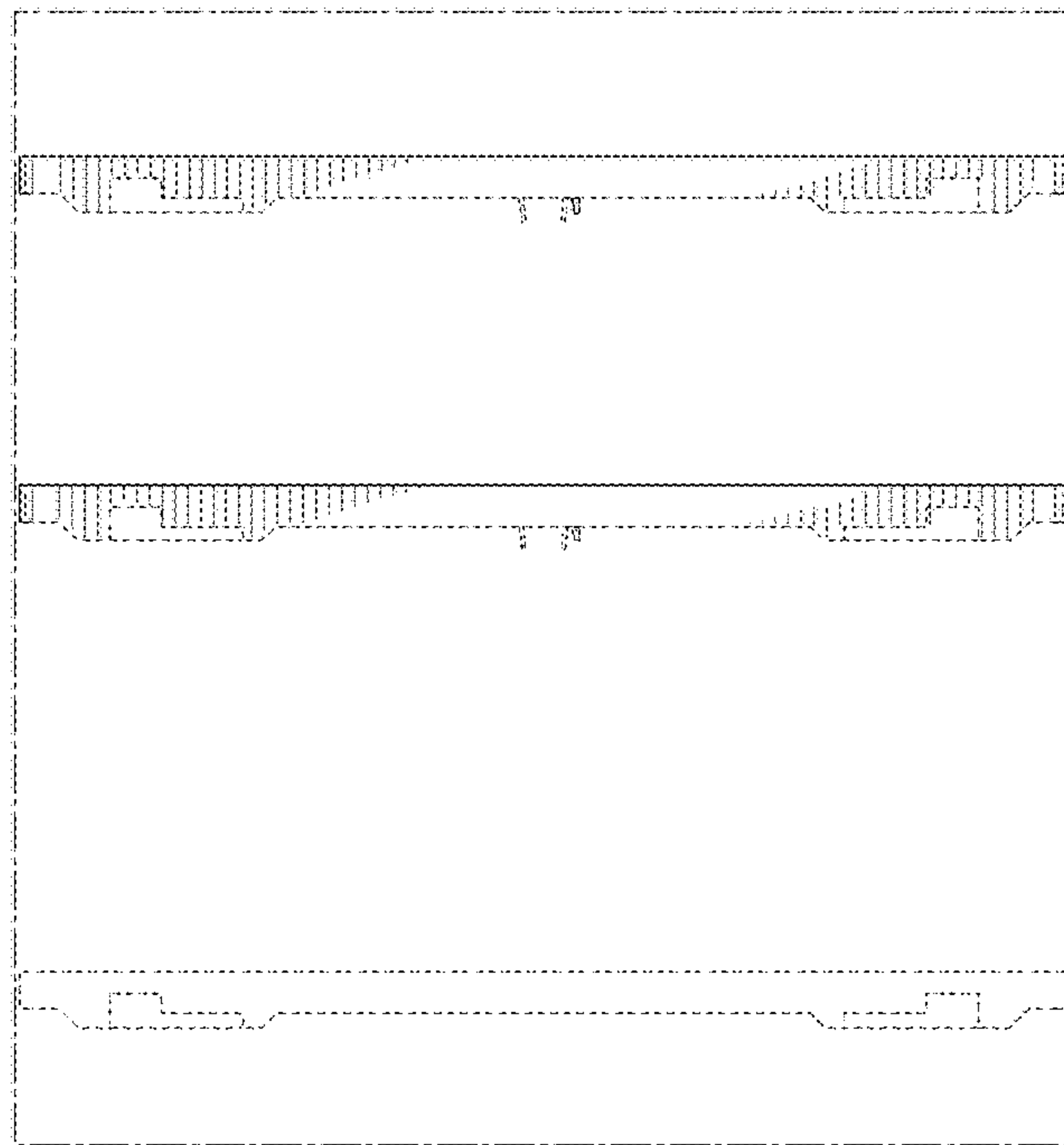


FIG. 14

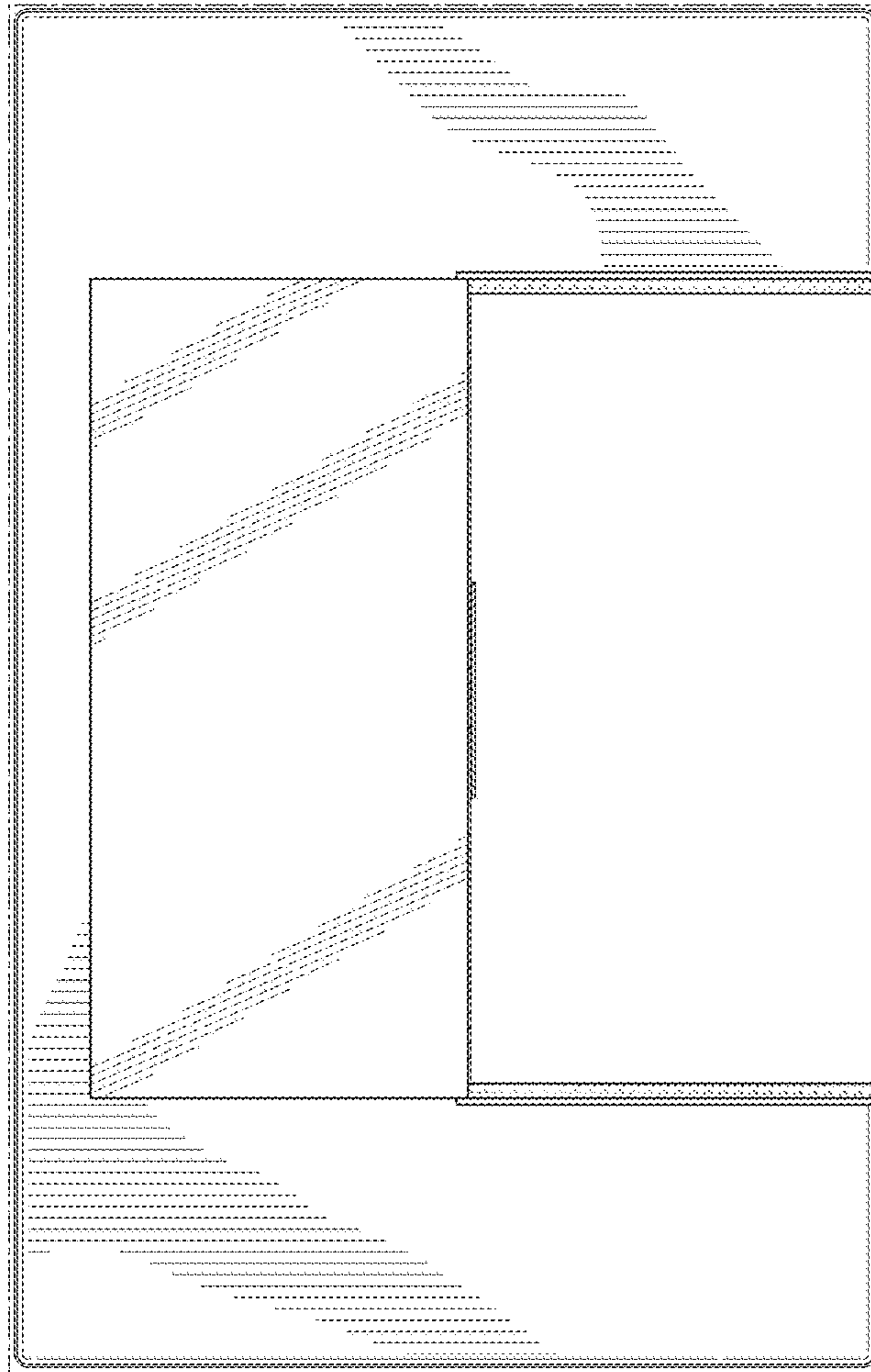


FIG. 15

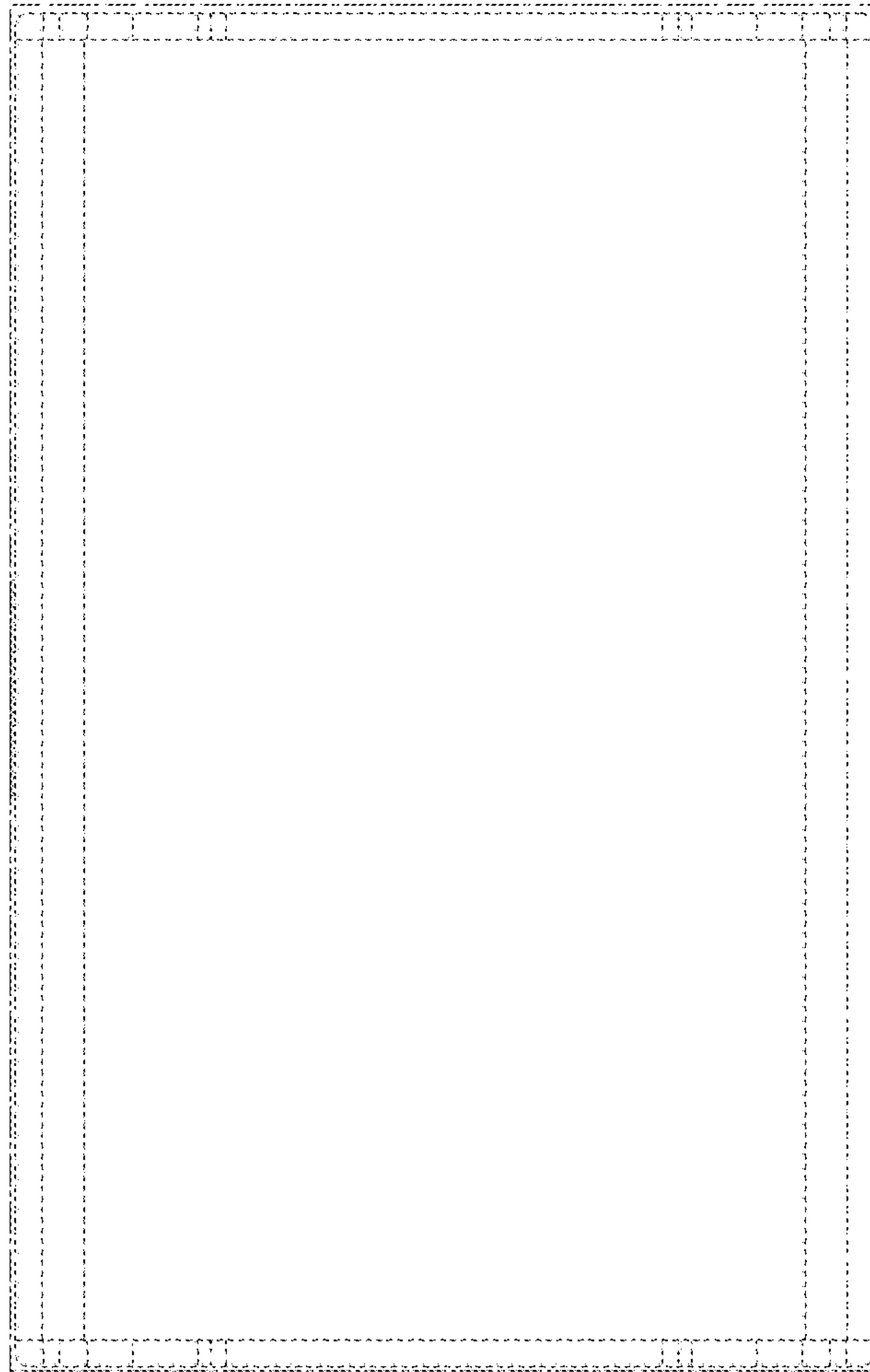


FIG. 16