



US00D839319S

(12) **United States Design Patent**
Mochizuki et al.

(10) **Patent No.:** **US D839,319 S**
(45) **Date of Patent:** **** Jan. 29, 2019**

- (54) **FREEZER**
- (71) Applicant: **PANASONIC HEALTHCARE HOLDINGS CO., LTD.**, Minato-ku, Tokyo (JP)
- (72) Inventors: **Akihiro Mochizuki**, Gunma (JP); **Fumio Yamada**, Gunma (JP)
- (73) Assignee: **PHC HOLDINGS CORPORATION**, Tokyo (JP)
- (**) Term: **15 Years**
- (21) Appl. No.: **29/605,329**
- (22) Filed: **May 25, 2017**
- (30) **Foreign Application Priority Data**
Dec. 27, 2016 (JP) 2016-028250
- (51) **LOC (11) Cl.** **15-07**
- (52) **U.S. Cl.**
USPC **D15/89**
- (58) **Field of Classification Search**
USPC D13/162; D7/405; D15/81, 85, 89, 91; D24/163
CPC B67D 1/0888; F25D 23/02; F25D 23/04; F25D 23/028; F25D 23/12; F25D 23/126; F25D 27/005; F25D 29/005
See application file for complete search history.

- (56) **References Cited**
U.S. PATENT DOCUMENTS
D457,144 S * 5/2002 Suen D13/162
D459,671 S * 7/2002 Kaufman D10/106.1
D470,826 S * 2/2003 Bergmann D13/184
D515,597 S * 2/2006 Park D15/85
D532,799 S * 11/2006 Sato D15/81
D553,163 S * 10/2007 Choi D15/89
D647,112 S * 10/2011 Okamoto D15/81

- 8,359,969 B2 * 1/2013 Van Dillen A47J 31/407 99/284
 - D681,698 S 5/2013 Meda et al.
 - D690,275 S 9/2013 Seidl et al.
 - D701,888 S * 4/2014 Schumaker D15/81
 - D727,857 S 4/2015 Acera et al.
 - D738,938 S * 9/2015 Yamada D15/89
 - D739,023 S 9/2015 Mochizuki et al.
 - D739,024 S 9/2015 Mochizuki et al.
 - D742,332 S 11/2015 Matsuguma et al.
- (Continued)

FOREIGN PATENT DOCUMENTS

- JP D1506242 S 9/2014
- JP D1506243 S 9/2014

Primary Examiner — Selina Sikder
(74) *Attorney, Agent, or Firm* — Brinks Gilson & Lione

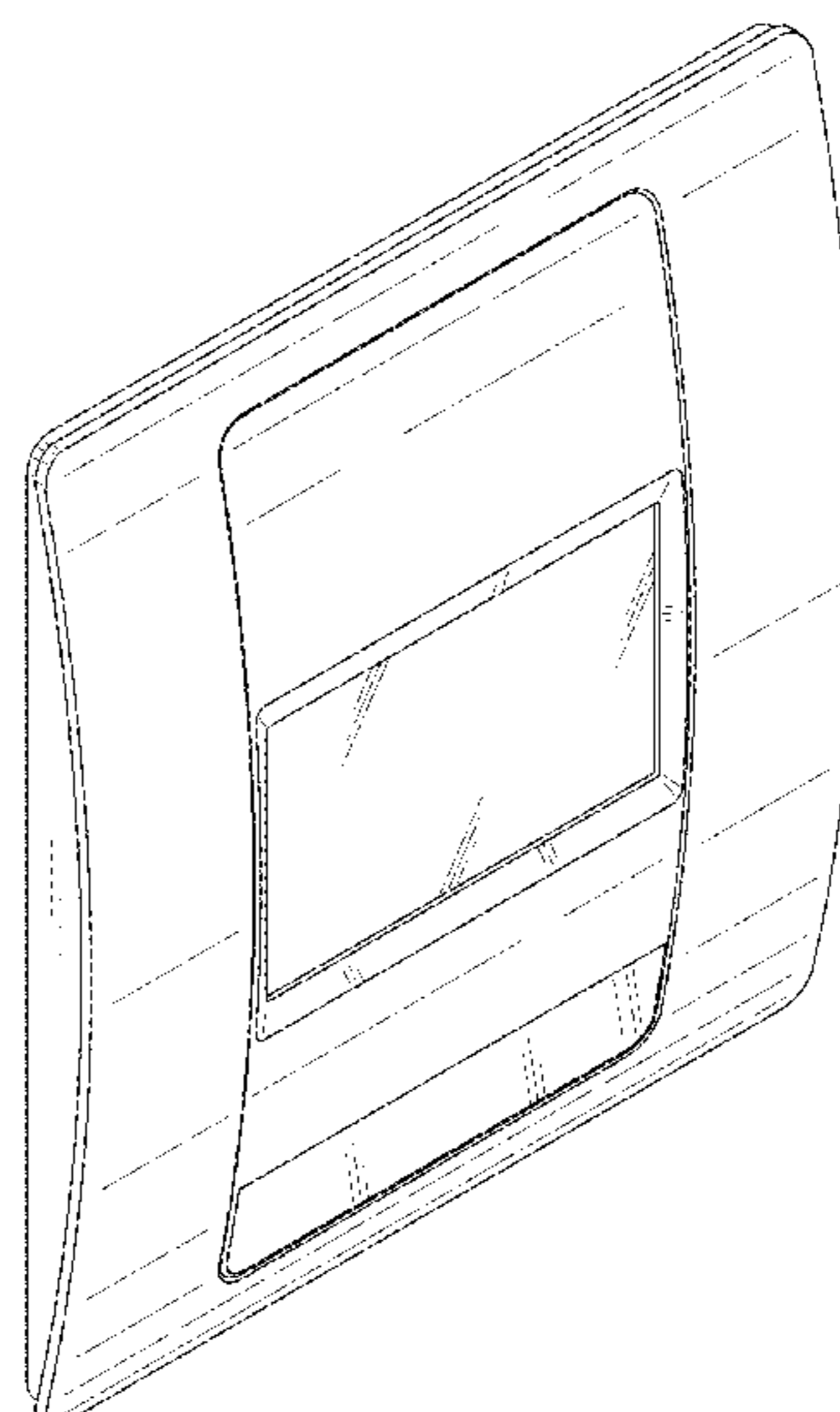
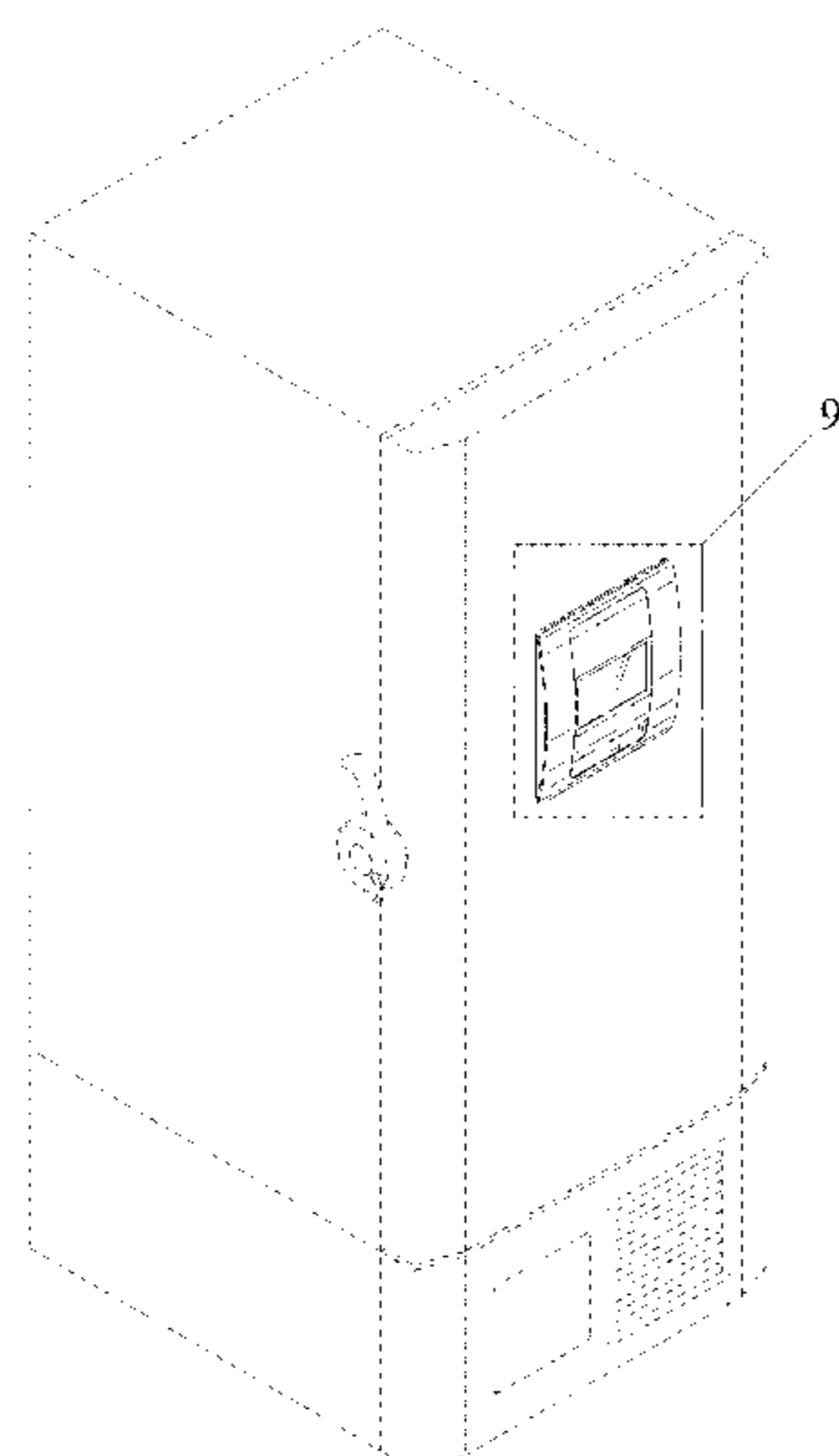
(57) **CLAIM**

The ornamental design for a freezer, as shown and described.

DESCRIPTION

FIG. 1 is a top perspective view of a freezer showing our new design;
 FIG. 2 is a bottom perspective view thereof;
 FIG. 3 is a front view thereof;
 FIG. 4 is a rear view thereof;
 FIG. 5 is a left side view thereof;
 FIG. 6 is a right side view thereof;
 FIG. 7 is a top plan view thereof;
 FIG. 8 is a bottom view thereof;
 FIG. 9 is an enlarged partial view of FIG. 1; and
 FIG. 10 is an enlarged partial view of FIG. 2.
 FIG. 11 is an enlarged partial view of FIG. 3;
 FIG. 12 is an enlarged partial view of FIG. 4; and,
 FIG. 13 is an enlarged partial view of FIG. 8.
 The broken lines depict portions of the freezer in which the design is embodied that form no part of the claimed design.

1 Claim, 11 Drawing Sheets



(56)

References Cited

U.S. PATENT DOCUMENTS

D771,157 S * 11/2016 Yamada D15/81
9,841,227 B2 * 12/2017 Hwang F25D 29/005
2005/0268624 A1 * 12/2005 Voglewede F25D 23/126
62/126
2006/0145576 A1 * 7/2006 Lee F16M 11/2092
312/406
2009/0126176 A1 * 5/2009 Kopf F25D 23/02
29/243.5
2012/0181304 A1 * 7/2012 Kim F25C 5/005
222/182
2012/0326587 A1 * 12/2012 Jeong F25D 23/02
312/405
2016/0061514 A1 * 3/2016 Seo F21V 14/003
312/404
2017/0292780 A1 * 10/2017 Li F25D 29/005

* cited by examiner

Fig. 1

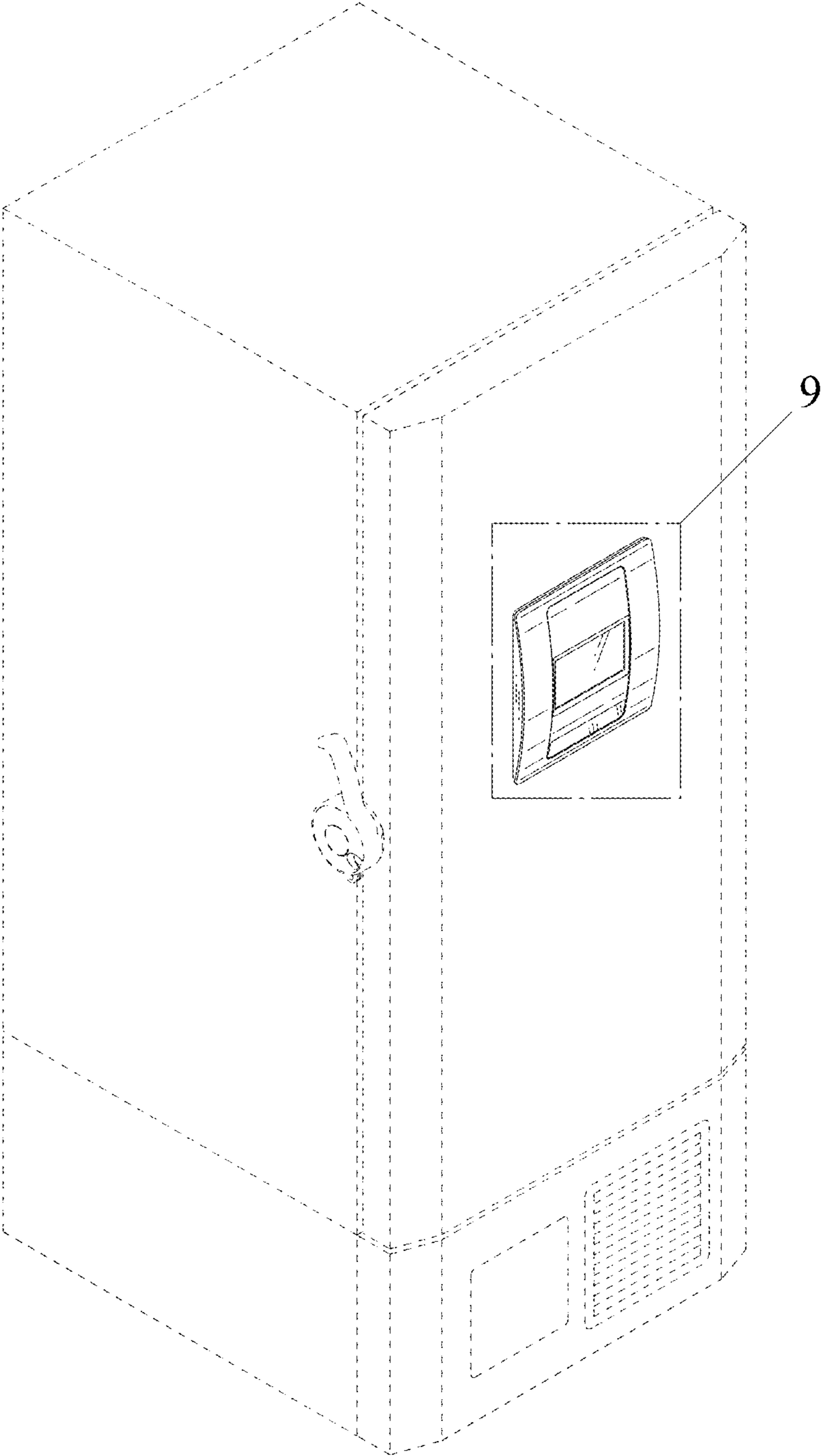


Fig. 2

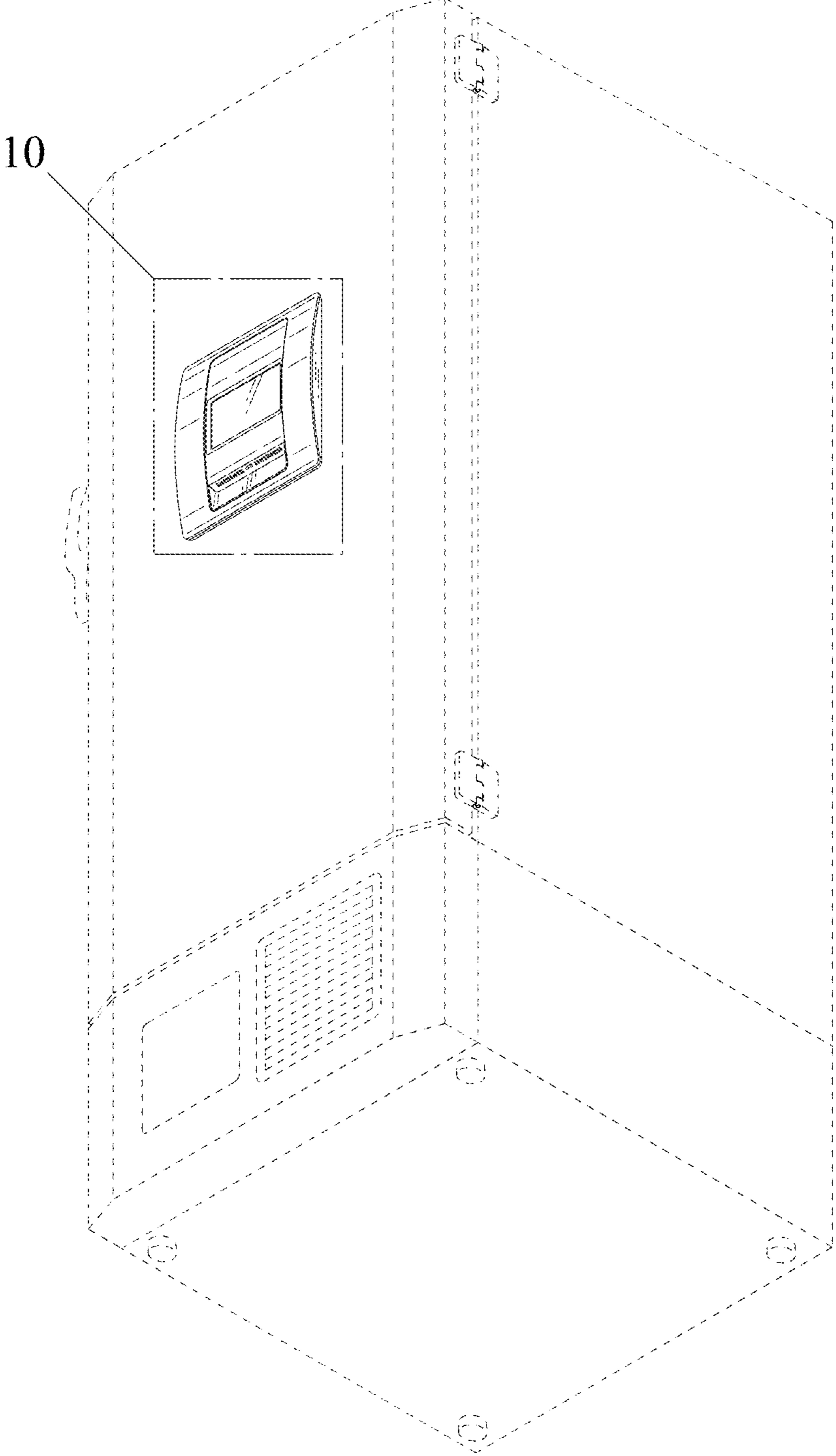


Fig. 3

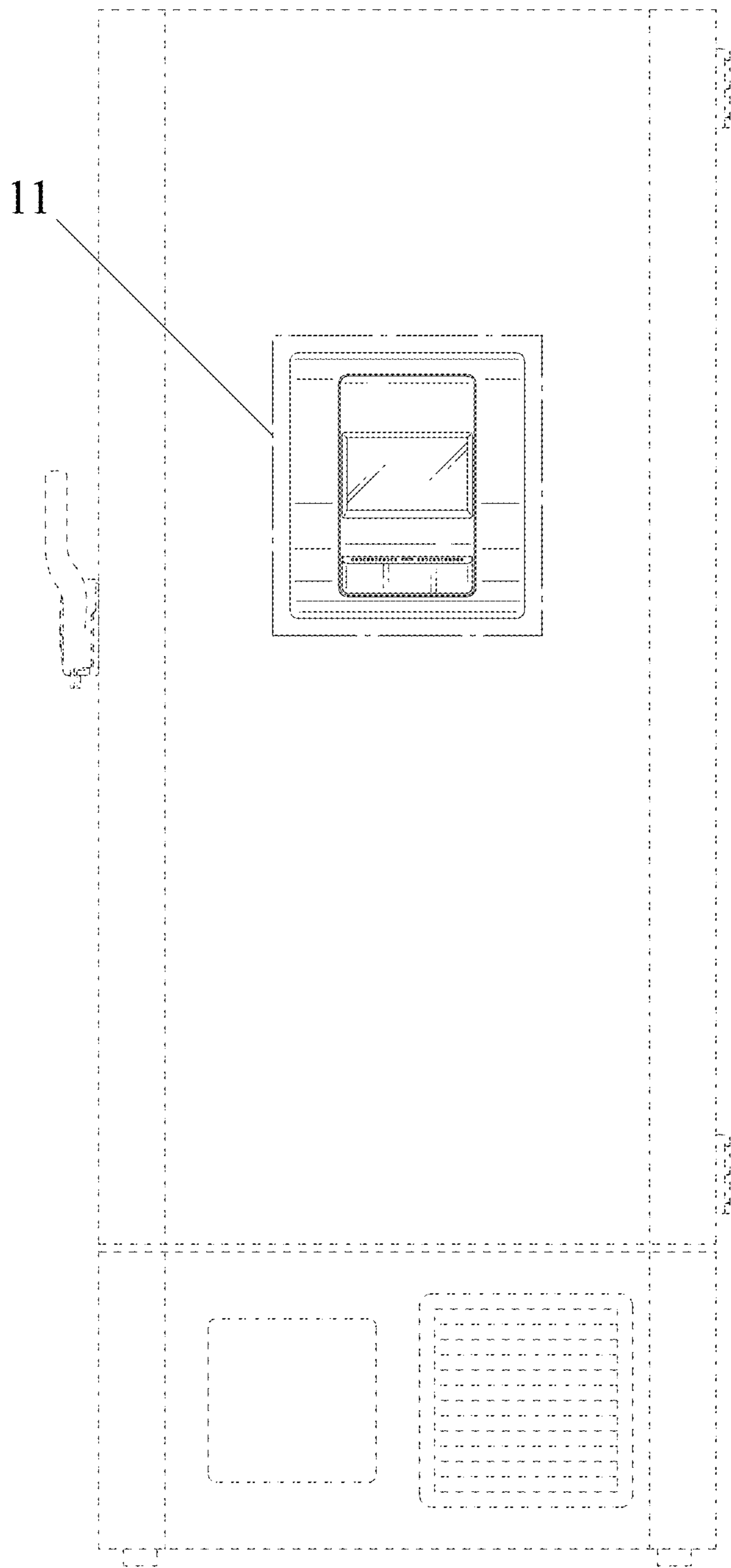


Fig. 4

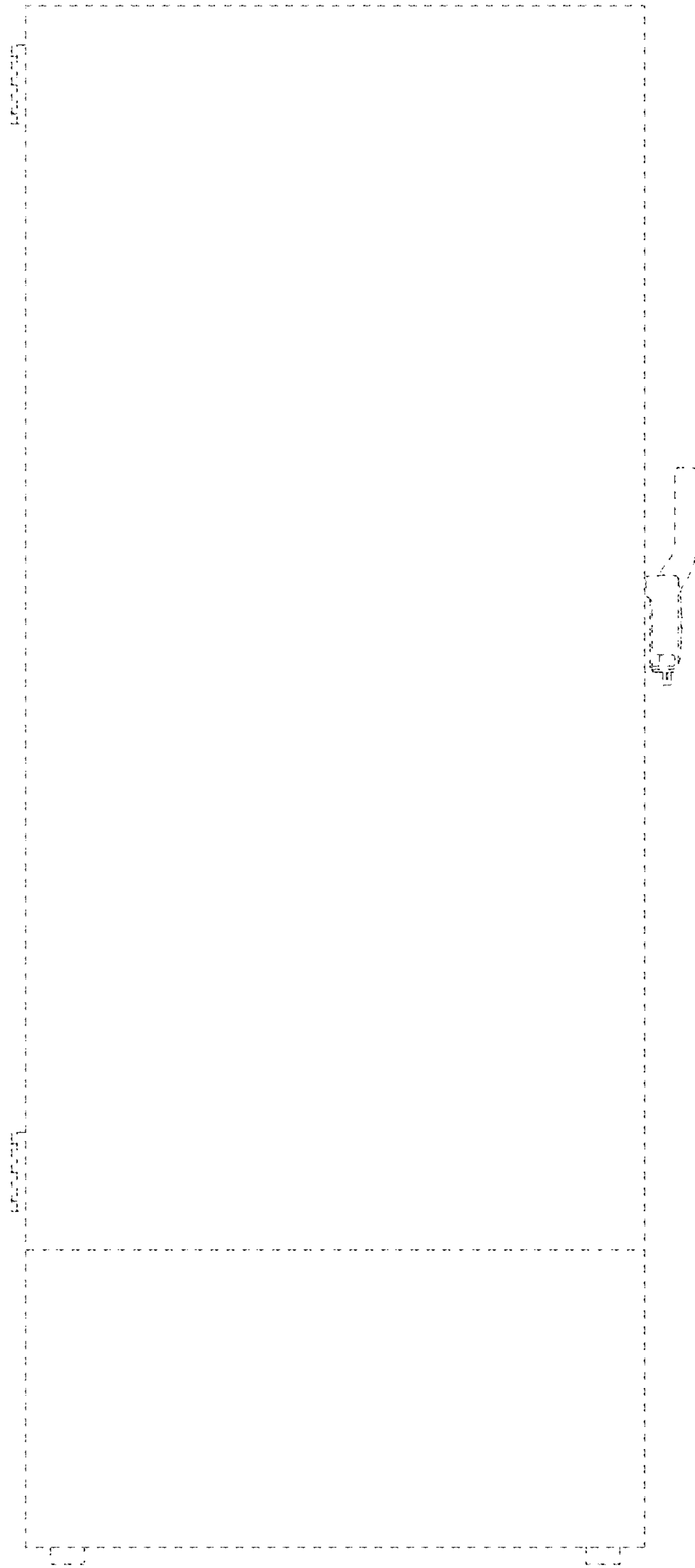


Fig. 5

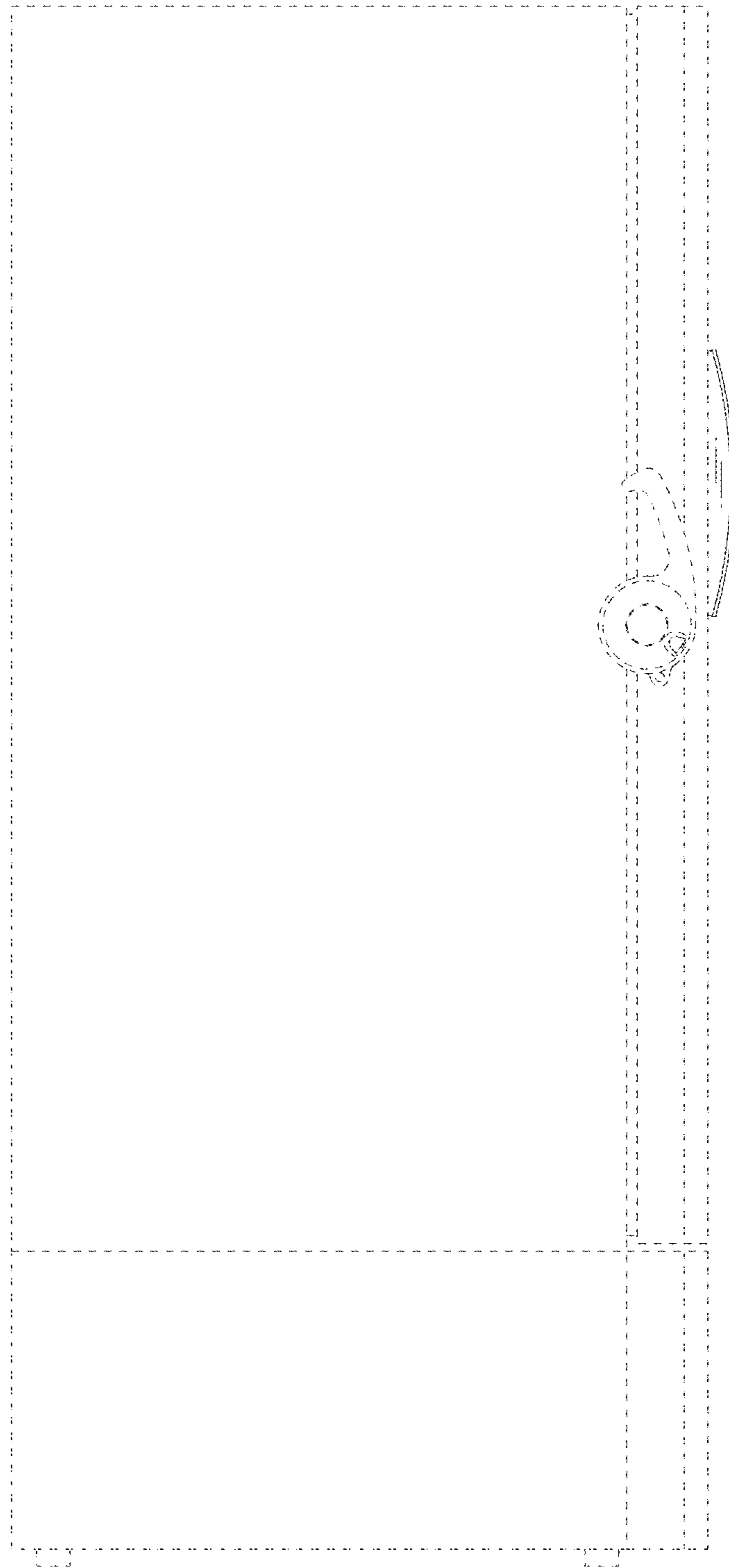


Fig. 6

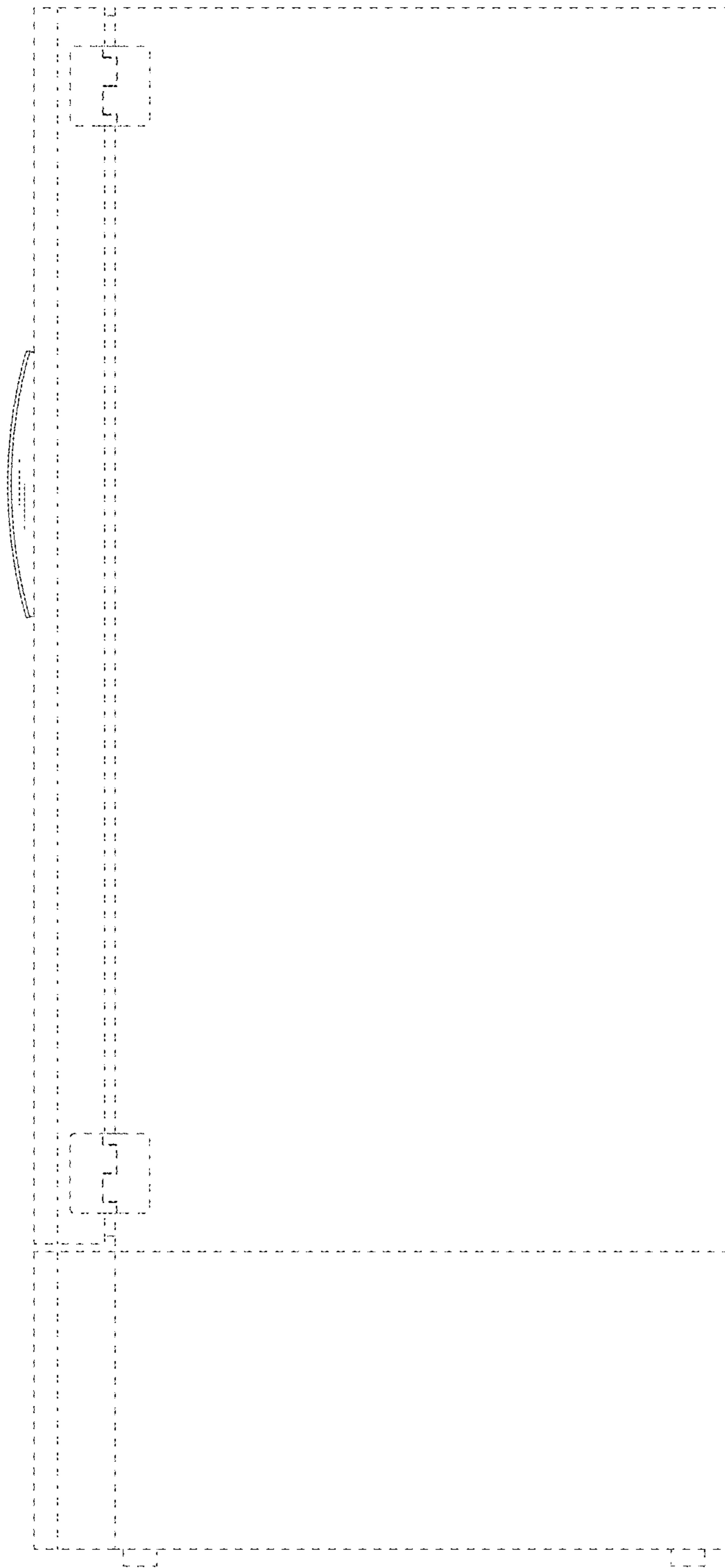


Fig. 7

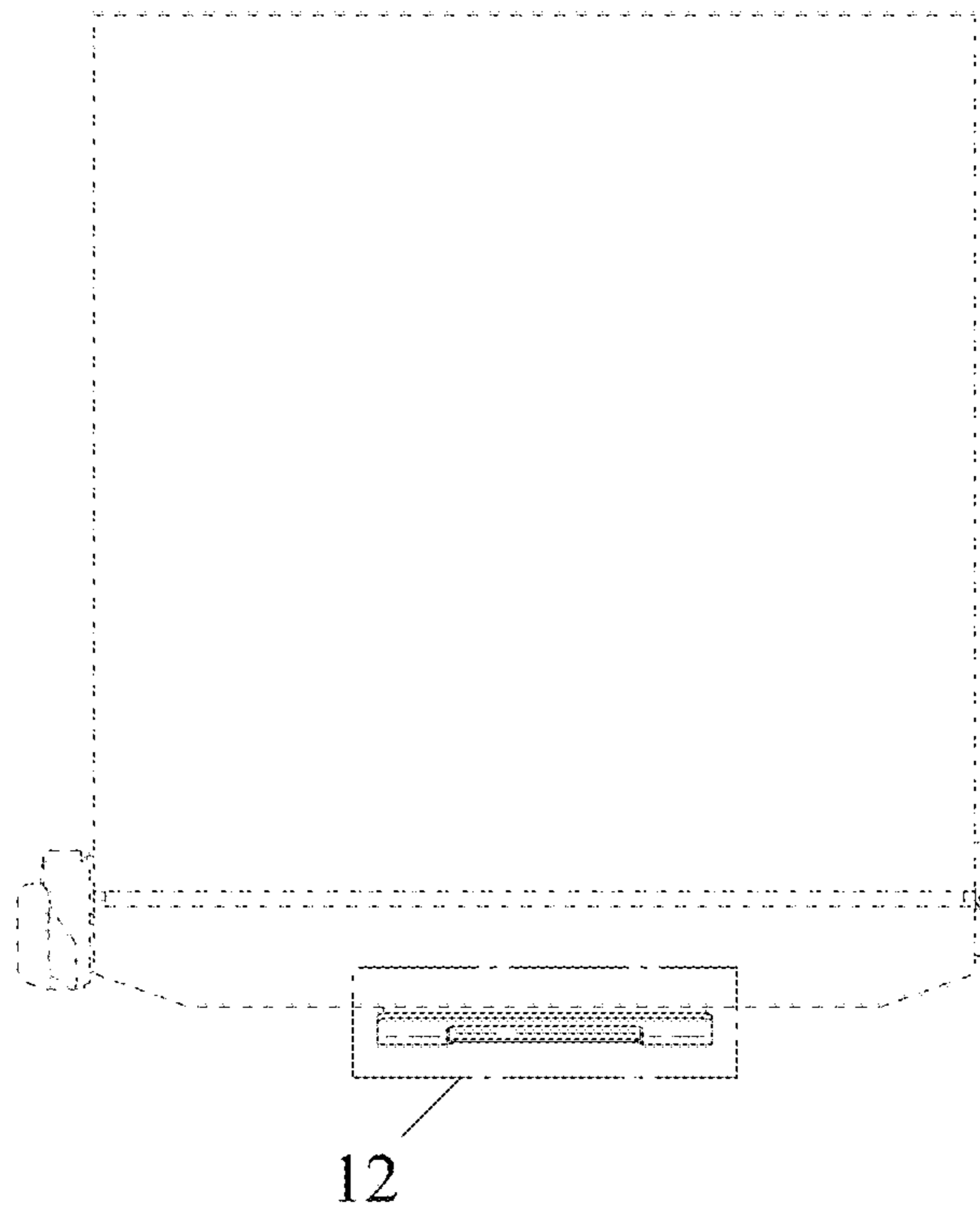


Fig. 8

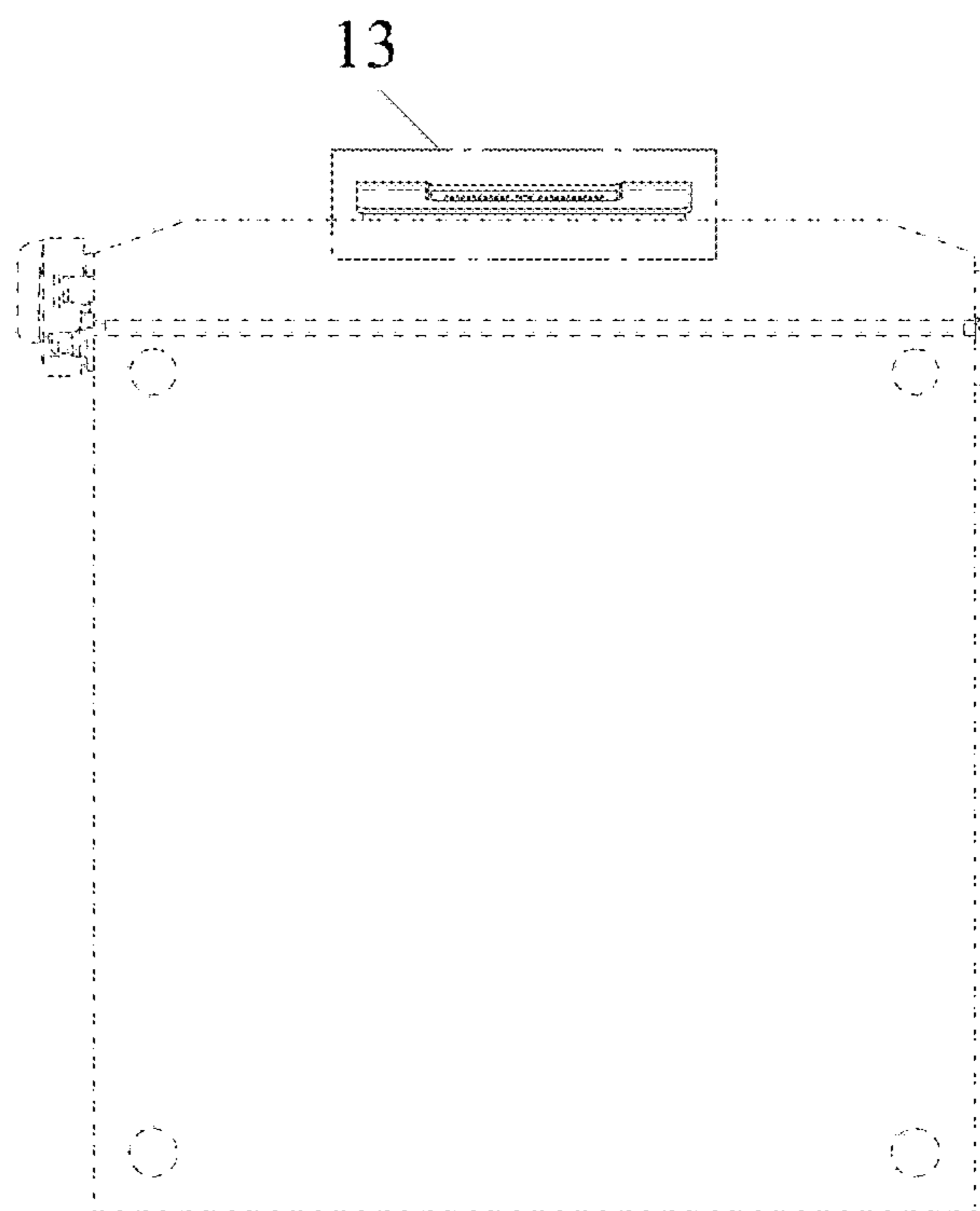


Fig. 9

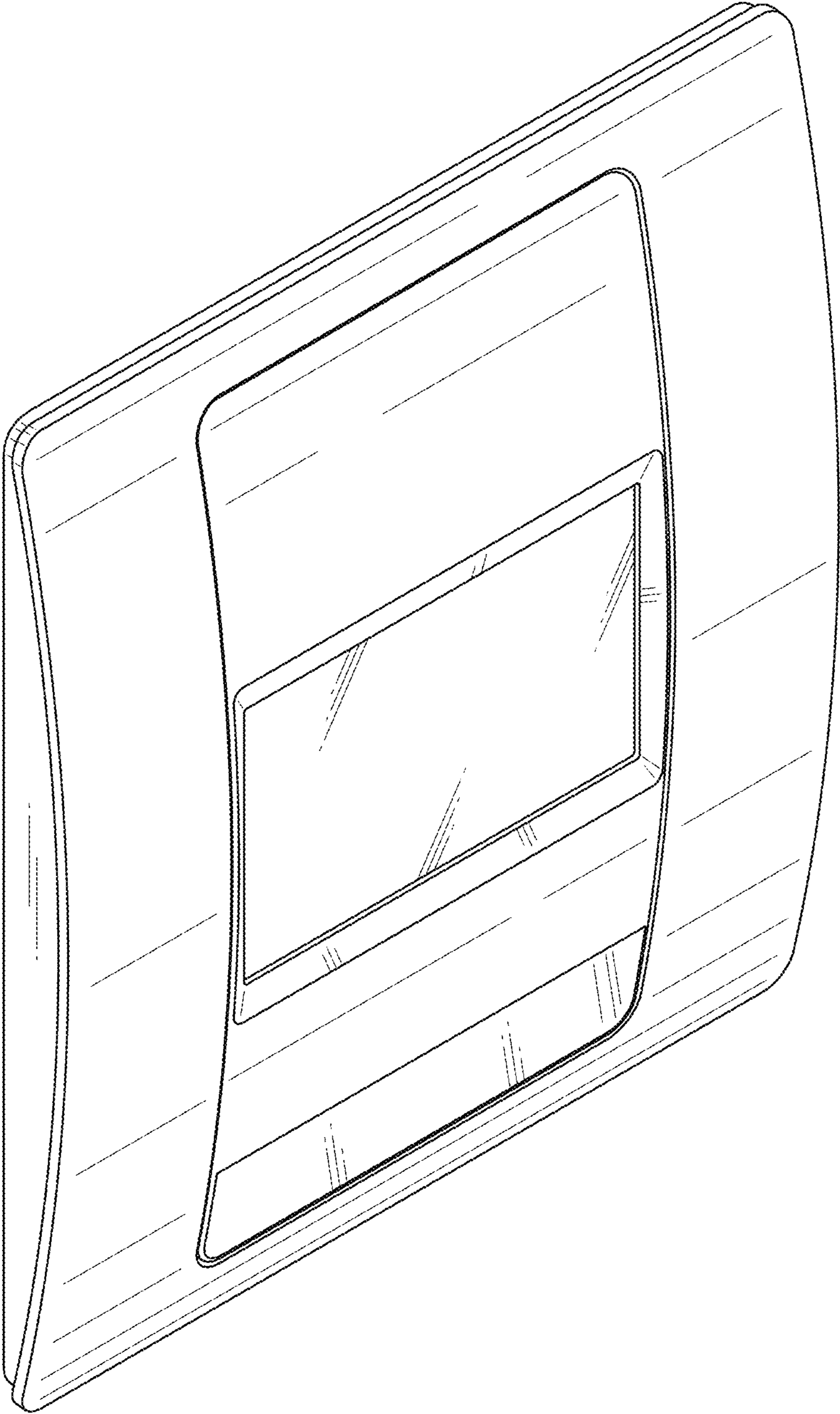


Fig. 10

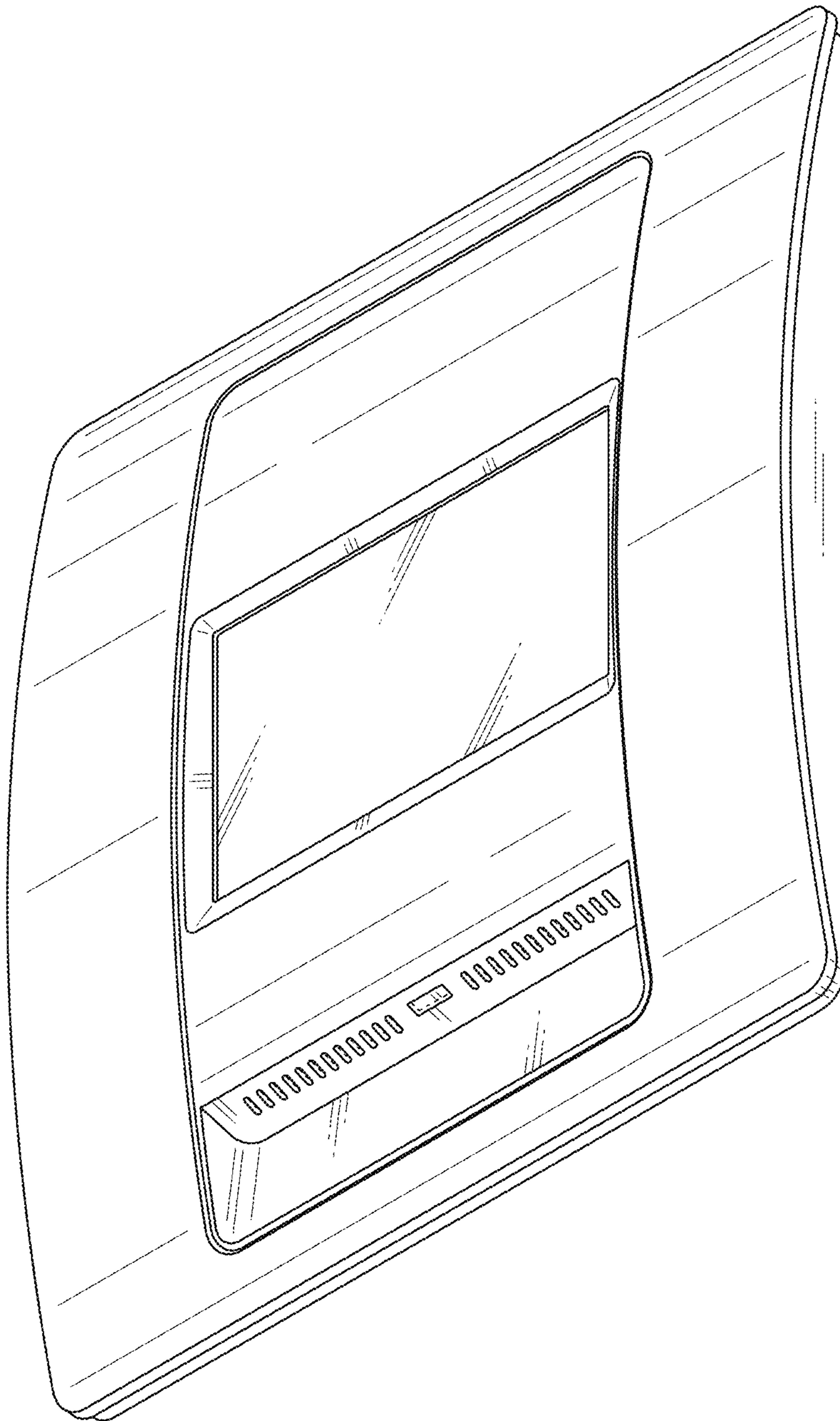


Fig. 11

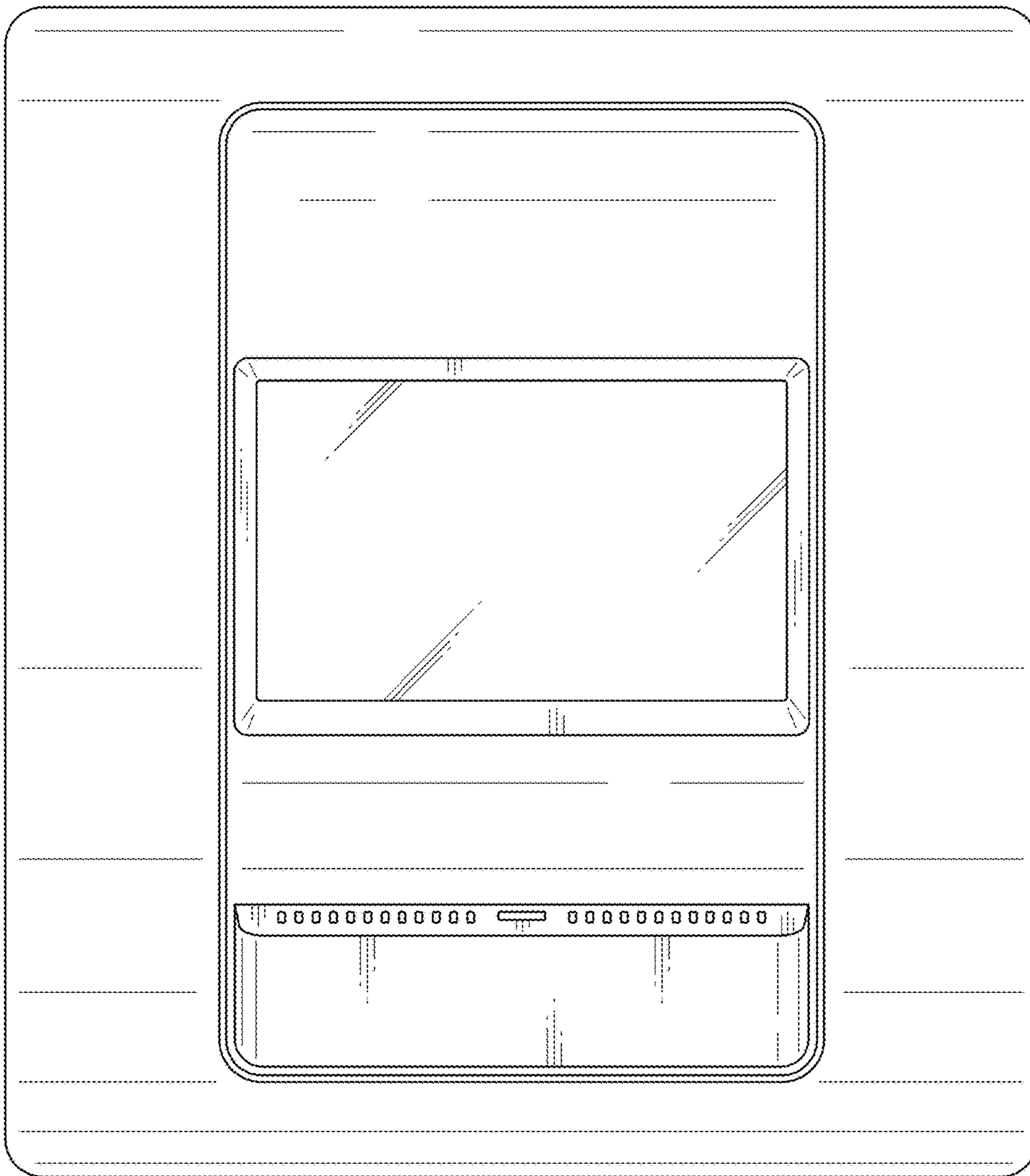


Fig. 12

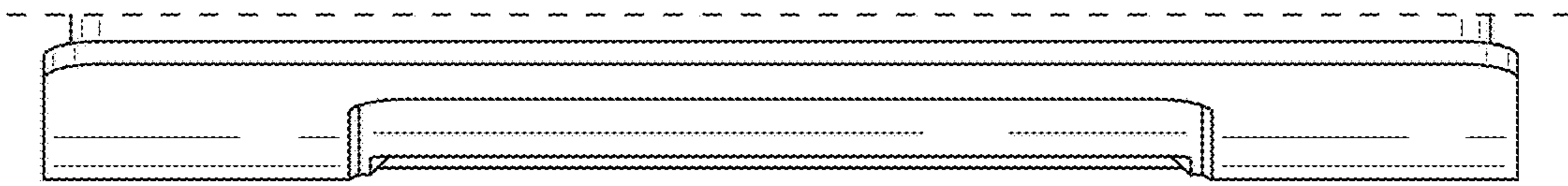


Fig. 13

