



US00D839318S

(12) **United States Design Patent**
Meda et al.

(10) **Patent No.:** **US D839,318 S**
(45) **Date of Patent:** **** Jan. 29, 2019**

(54) **CONTROL PANEL**
(71) Applicant: **Dometic Sweden AB**, Solna (SE)
(72) Inventors: **Samuele Meda**, Solna (SE); **Kristoffer Olsson**, Hägersten (SE); **Michael Edenius**, Stockholm (SE)
(73) Assignee: **Dometic Sweden AB**, Solna (SE)
(**) Term: **15 Years**
(21) Appl. No.: **29/594,930**

D508,502 S 8/2005 Moseley
7,237,402 B2 7/2007 Hallin et al.
D550,256 S * 9/2007 Lei D15/81
D563,998 S * 3/2008 Doberstein D15/89
D578,505 S * 10/2008 Tejima D14/188
8,006,515 B2 8/2011 Hallin et al.
8,146,383 B2 4/2012 Lorek et al.
D662,504 S * 6/2012 Lohman D14/432
D673,144 S * 12/2012 Onoue D14/188
D701,888 S * 4/2014 Schumaker D15/81
D738,938 S * 9/2015 Yamada D15/89
D764,028 S * 8/2016 Schoenherr D23/254
9,672,998 B2 * 6/2017 Watanabe H01H 13/04
D813,189 S * 3/2018 Lundgard D14/188
2005/0279122 A1 * 12/2005 Cohen F25D 11/00
62/441

(22) Filed: **Feb. 23, 2017**
(30) **Foreign Application Priority Data**

Aug. 24, 2016 (EM) 003351253

(51) **LOC (11) Cl.** **15-07**

(52) **U.S. Cl.**
USPC **D15/89**

(58) **Field of Classification Search**
USPC D13/162, 171; D14/188, 432, 440, 441;
D15/81, 85, 89; D23/254
CPC F25D 29/00; F25D 29/005; H01H 3/08;
H01H 13/06; H01H 13/14; H01H 13/50;
H01H 19/14
See application file for complete search history.

(56) **References Cited**

U.S. PATENT DOCUMENTS

4,918,271 A * 4/1990 Deeg H01H 13/14
200/344
D342,743 S 12/1993 Renner
D342,744 S 12/1993 Renner
5,966,951 A 10/1999 Hallin et al.
D468,325 S 1/2003 Lorek et al.
D468,326 S 1/2003 Lorek et al.
D468,327 S 1/2003 Lorek et al.
D476,667 S 7/2003 Lorek et al.

(Continued)

OTHER PUBLICATIONS

Transmittal Letter of Related Cases.

(Continued)

Primary Examiner — Selina Sikder

(74) *Attorney, Agent, or Firm* — Middleton Reutlinger

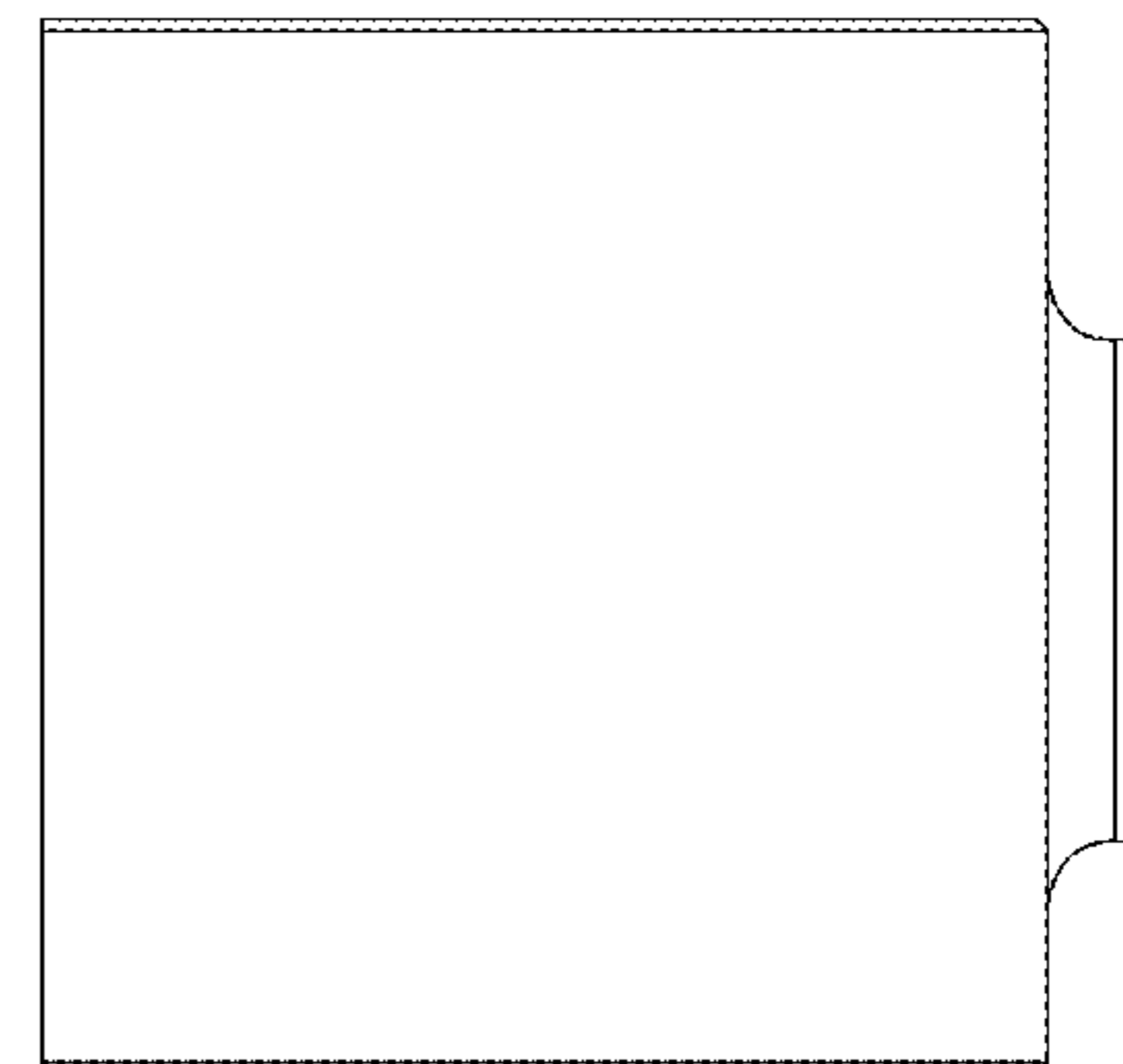
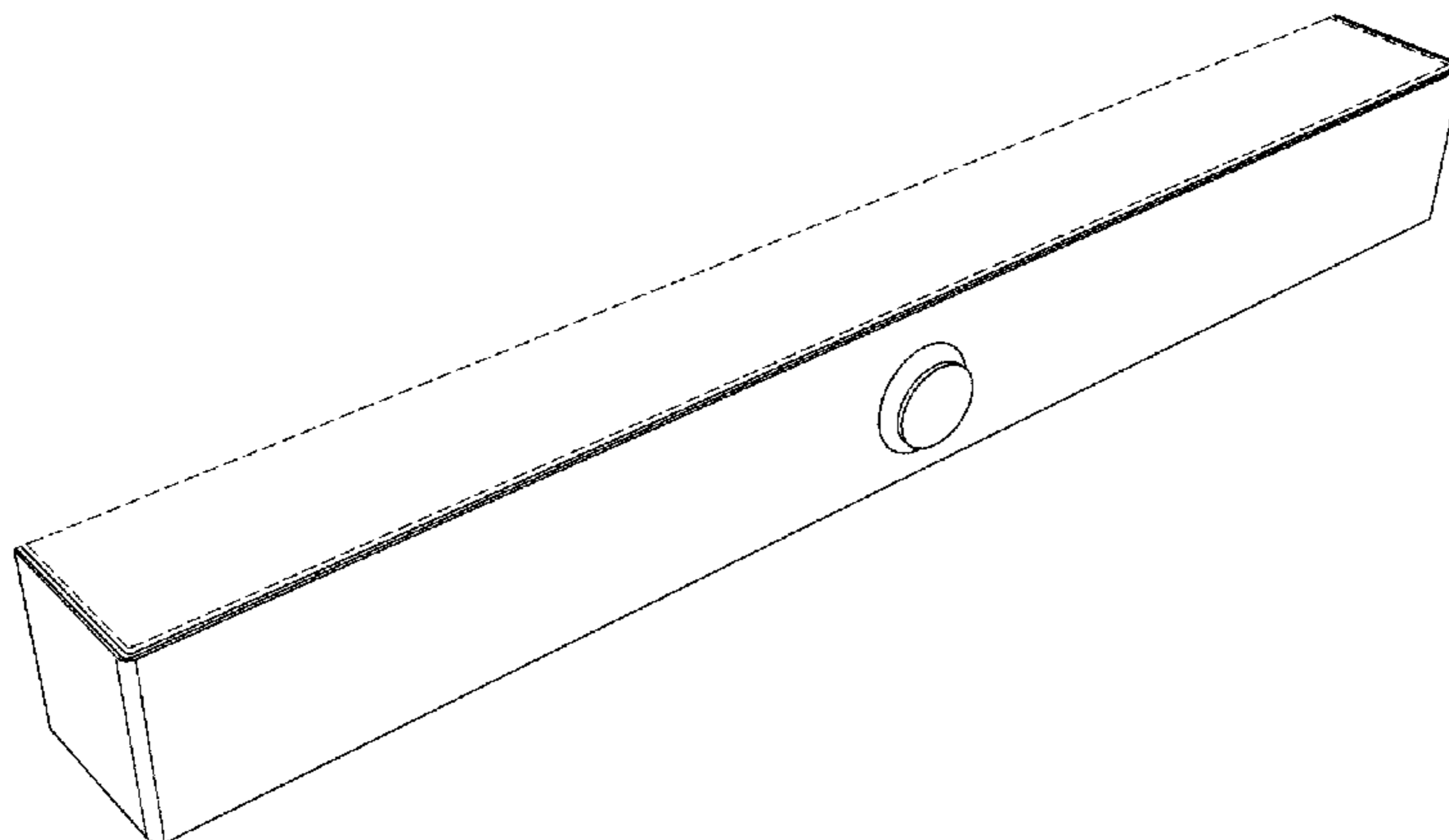
(57) **CLAIM**

The ornamental designs for a control panel, as shown and described.

DESCRIPTION

FIG. 1 is a perspective view of the control panel showing our new design;
FIG. 2 is a front view of the design of FIG. 1;
FIG. 3 is a top view of the design of FIG. 1;
FIG. 4 is a bottom view of the design of FIG. 1;
FIG. 5 is a right side view of the design of FIG. 1;
FIG. 6 is a left side view of the design of FIG. 1; and,
FIG. 7 is a rear view of the design of FIG. 1.
The broken line disclosure represents unclaimed portions of the control panel in which the design is embodied.

1 Claim, 7 Drawing Sheets



(56)

References Cited

U.S. PATENT DOCUMENTS

2007/0295024 A1 12/2007 Hallin et al.
2008/0231159 A1* 9/2008 Lee F25D 23/02
312/405
2011/0036693 A1* 2/2011 Lin H01H 13/023
200/314
2013/0161165 A1* 6/2013 Han H01H 13/06
200/302.2
2014/0049926 A1* 2/2014 Bas D06F 39/005
361/759
2015/0330704 A1* 11/2015 Kaymak F25D 29/005
62/131
2018/0018023 A1* 1/2018 Nakamura G06F 3/02
2018/0224191 A1* 8/2018 Marolda F25D 23/023

OTHER PUBLICATIONS

European Design Patent Application No. 003351253 filed Aug. 24, 2016.

European Design Patent Application No. 003351444 filed Aug. 24, 2016.

U.S. Appl. No. 29/594,936 entitled "Refrigerator" filed Feb. 23, 2017.

* cited by examiner

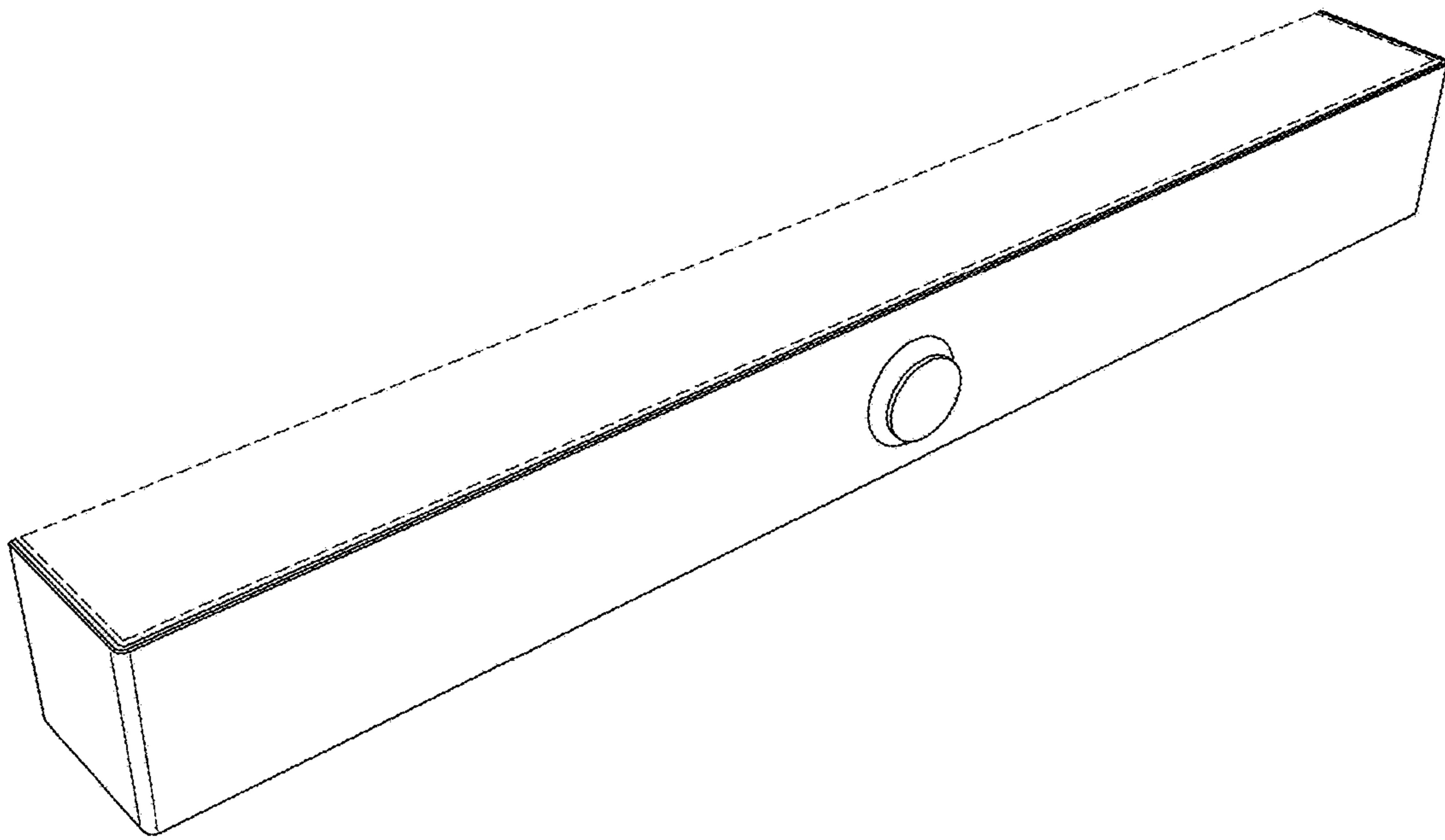


FIG. 1

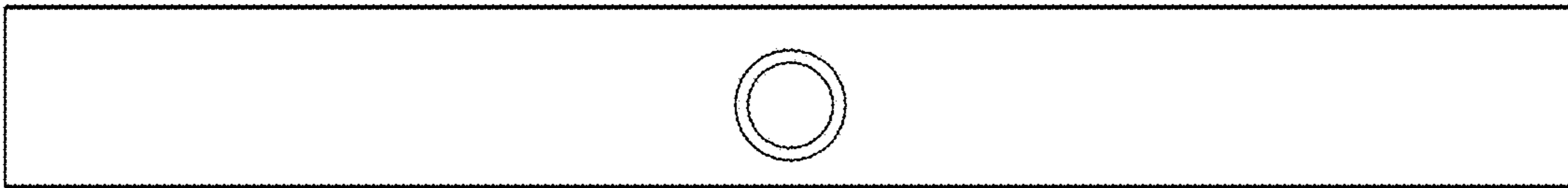


FIG. 2

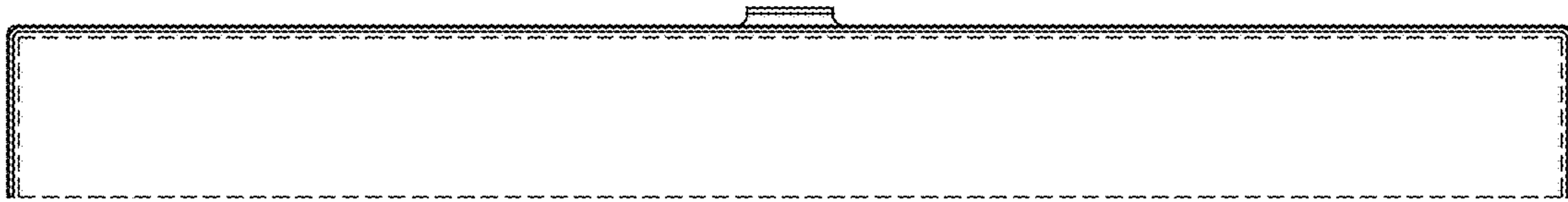


FIG. 3

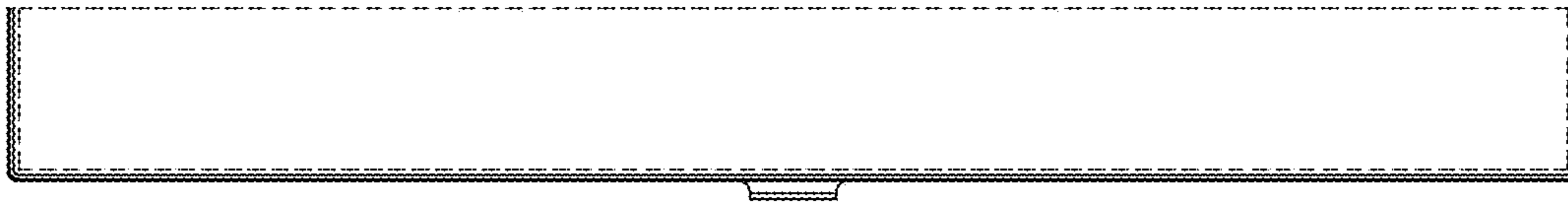


FIG. 4

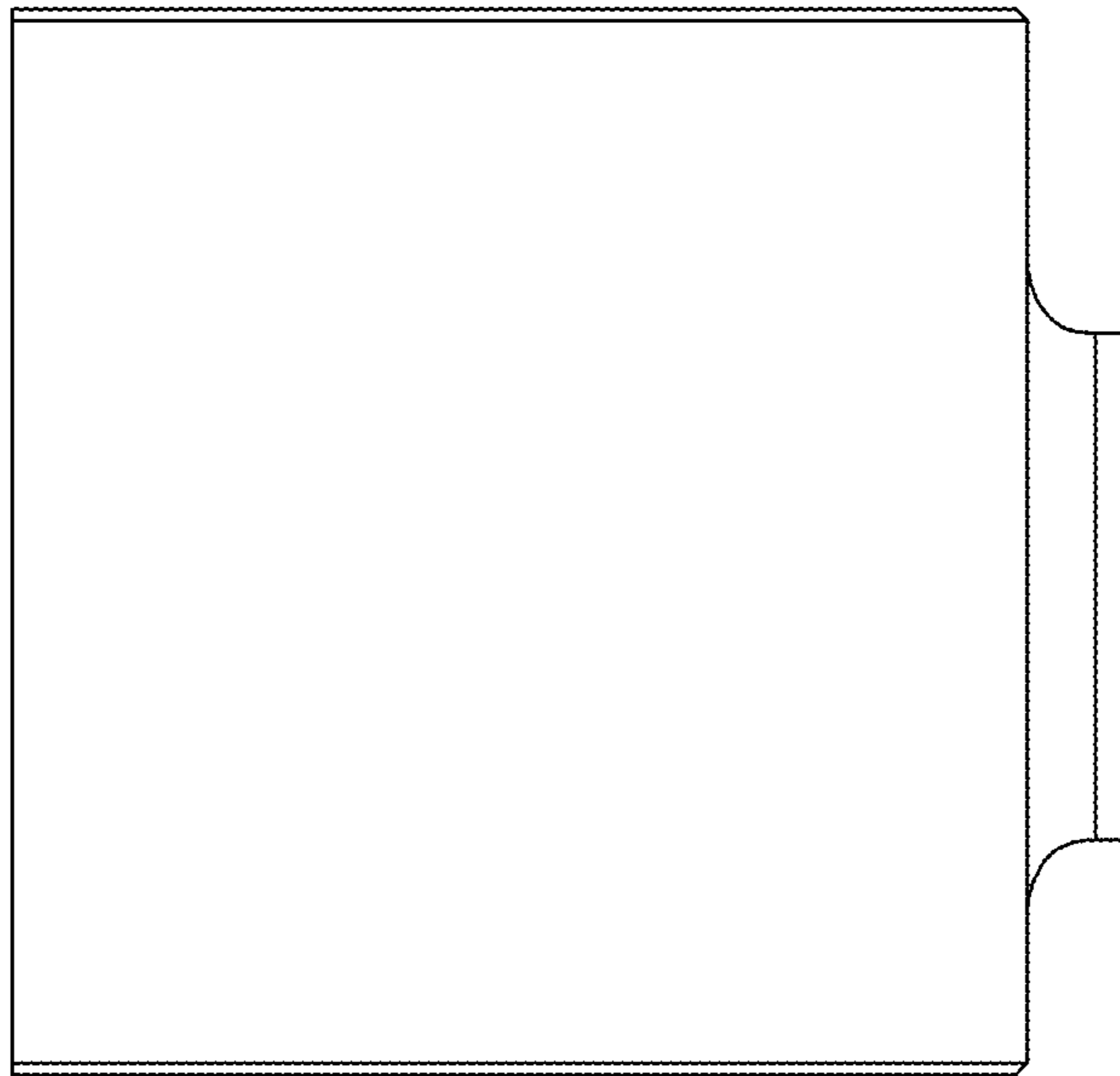


FIG. 5

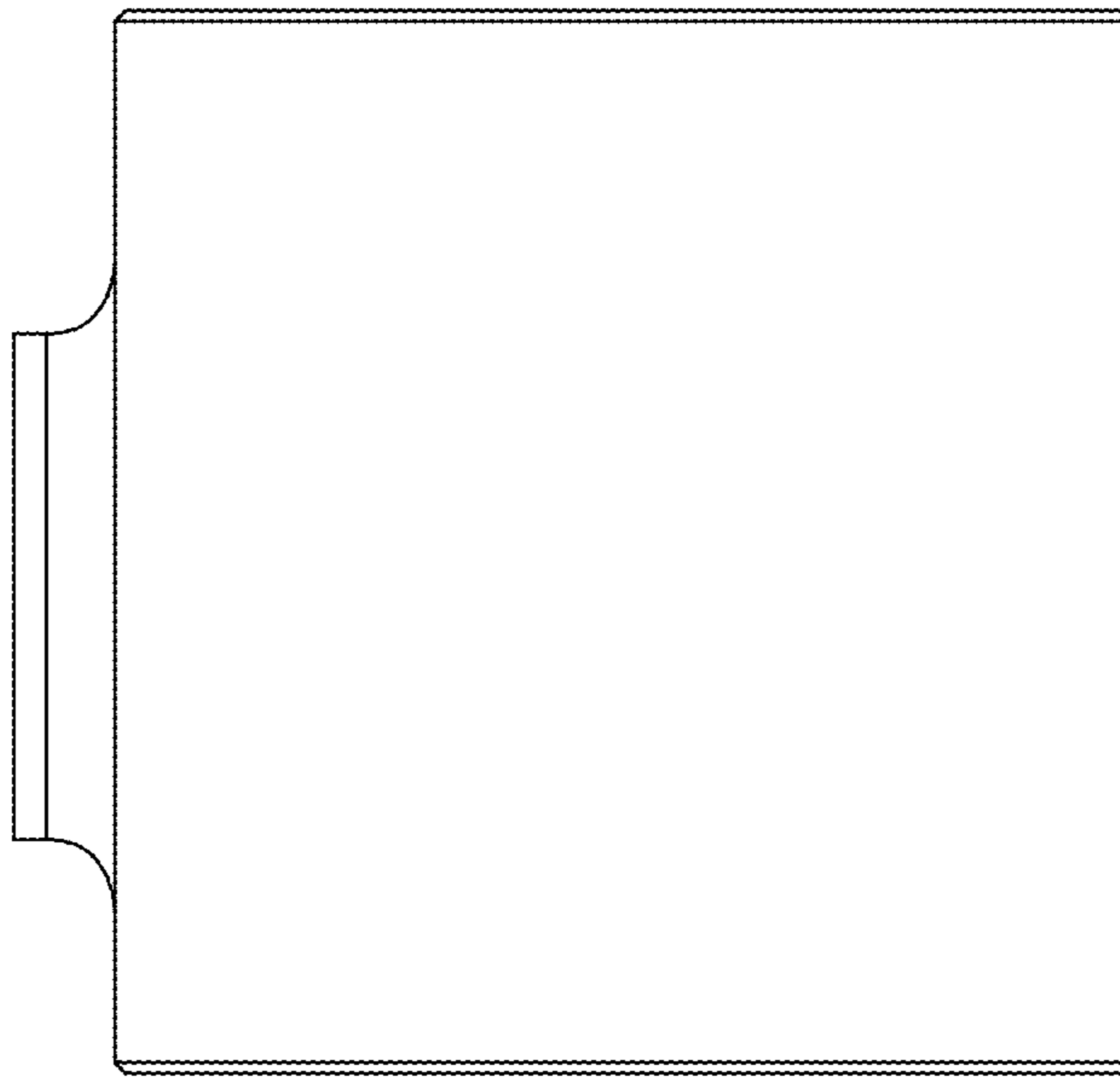


FIG. 6



FIG. 7