



US00D839315S

(12) **United States Design Patent**  
**Winter et al.**

(10) **Patent No.:** **US D839,315 S**  
(45) **Date of Patent:** **\*\* Jan. 29, 2019**

- (54) **V-PLOW CENTER GUARD**
- (71) Applicant: **WINTER EQUIPMENT COMPANY,**  
Willoughby, OH (US)
- (72) Inventors: **Kent Winter,** Willoughby, OH (US);  
**Nate Kallay,** Willoughby, OH (US)
- (73) Assignee: **Winter Equipment Company,**  
Willoughby, OH (US)
- (\*\*) Term: **15 Years**
- (21) Appl. No.: **29/634,203**
- (22) Filed: **Jan. 19, 2018**
- (51) **LOC (11) Cl.** ..... **15-03**
- (52) **U.S. Cl.**  
USPC ..... **D15/11; D15/28**
- (58) **Field of Classification Search**  
USPC ..... D15/11, 21, 28, 32; 37/270; 280/28  
CPC ..... E01H 5/06-5/062; E01H 5/066; E01H  
5/065; E01H 5/12; E01H 5/04; E02F  
3/76-3/848; E02F 3/08; E02F 3/8157;  
E02F 3/8152; B62B 15/00  
See application file for complete search history.

- 4,500,766 A \* 2/1985 Reinhardt ..... B23K 11/00  
172/719
- D291,654 S \* 9/1987 Foster, Jr. .... 280/28
- 4,833,801 A \* 5/1989 Winter ..... E01H 5/061  
172/701.2
- 4,899,472 A \* 2/1990 Winter ..... E01H 5/061  
37/264
- D320,397 S \* 10/1991 Gomez ..... D15/11
- 5,265,356 A \* 11/1993 Winter ..... E01H 5/06  
37/232
- D399,852 S \* 10/1998 Launder ..... D15/11
- 6,240,662 B1 \* 6/2001 Borowiak ..... E01H 5/061  
37/270
- D567,826 S \* 4/2008 Clendenning ..... D15/29
- D567,827 S \* 4/2008 Clendenning ..... D15/29
- 7,836,615 B2 \* 11/2010 Winter ..... E01H 5/066  
37/270
- 7,874,085 B1 \* 1/2011 Winter ..... E01H 5/061  
172/701.3
- 8,191,287 B2 \* 6/2012 Winter ..... E01H 5/061  
37/266
- D680,558 S \* 4/2013 Clement ..... D15/11

(Continued)

*Primary Examiner* — Mark A Goodwin  
(74) *Attorney, Agent, or Firm* — Fay Sharpe LLP

(57) **CLAIM**

The ornamental design for a V-plow center guard, as shown and described.

**DESCRIPTION**

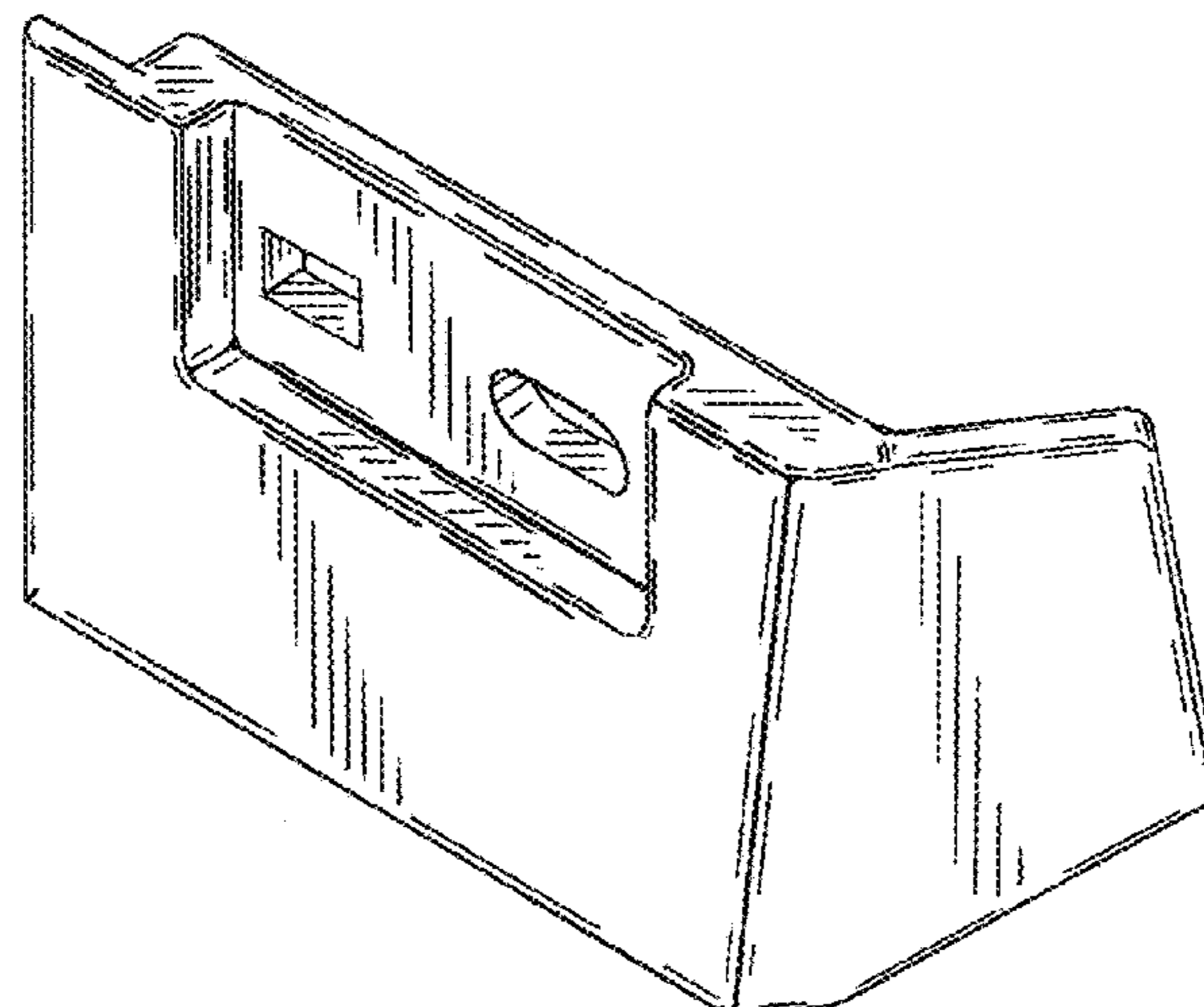
FIG. 1 is a front perspective view of a V-plow center guard; FIG. 2 is a rear perspective view thereof; FIG. 3 is a front elevation view thereof; FIG. 4 is a left elevation view thereof; FIG. 5 is a right elevation view thereof; FIG. 6 is a top plan view thereof; FIG. 7 is a bottom plan view thereof; and, FIG. 8 is a rear elevation view thereof.

**1 Claim, 4 Drawing Sheets**

(56) **References Cited**

**U.S. PATENT DOCUMENTS**

- 1,581,414 A \* 4/1926 Young ..... E02F 3/8157  
172/393
- 1,713,882 A \* 5/1929 Shaw ..... E02F 3/8157  
280/28
- 2,202,309 A \* 5/1940 Campbell ..... B62B 19/00  
280/28
- 2,460,348 A \* 2/1949 Henry ..... E02F 3/8157  
172/832
- 2,593,025 A \* 4/1952 Hanson ..... B62B 15/00  
280/28
- D250,713 S \* 1/1979 Korpi ..... D15/28



(56)

**References Cited**

U.S. PATENT DOCUMENTS

8,844,173	B2 *	9/2014	Winter	.....	E01H 5/061 37/266
9,163,379	B2 *	10/2015	Winter	.....	E01H 5/061
9,428,874	B2 *	8/2016	Winter	.....	E01H 5/061
9,562,342	B2 *	2/2017	Winter	.....	E02F 3/8157
9,708,784	B2 *	7/2017	Winter	.....	E01H 5/061
D799,554	S *	10/2017	Peterson	.....	D15/11
9,821,396	B2 *	11/2017	Winter	.....	E01H 5/061
D816,720	S *	5/2018	Winter	.....	D15/11
D824,962	S *	8/2018	Winter	.....	D15/11
2006/0026870	A1 *	2/2006	Karhi	.....	A61B 5/01 37/266
2013/0145658	A1 *	6/2013	Tordik	.....	E01H 5/061 37/197
2014/0373398	A1 *	12/2014	Winter	.....	E01H 5/061 37/266
2015/0047234	A1 *	2/2015	Winter	.....	E01H 5/061 37/460
2015/0135559	A1 *	5/2015	Tordik	.....	E01H 5/066 37/197
2016/0039030	A1 *	2/2016	Winter	.....	E01H 5/061 219/615
2016/0069041	A1 *	3/2016	Winter	.....	E02F 3/8157 37/453
2016/0333547	A1 *	11/2016	Winter	.....	E02F 3/8152
2017/0191236	A1 *	7/2017	Winter	.....	E01H 5/061
2018/0058026	A1 *	3/2018	Williams	.....	E01H 5/066

\* cited by examiner

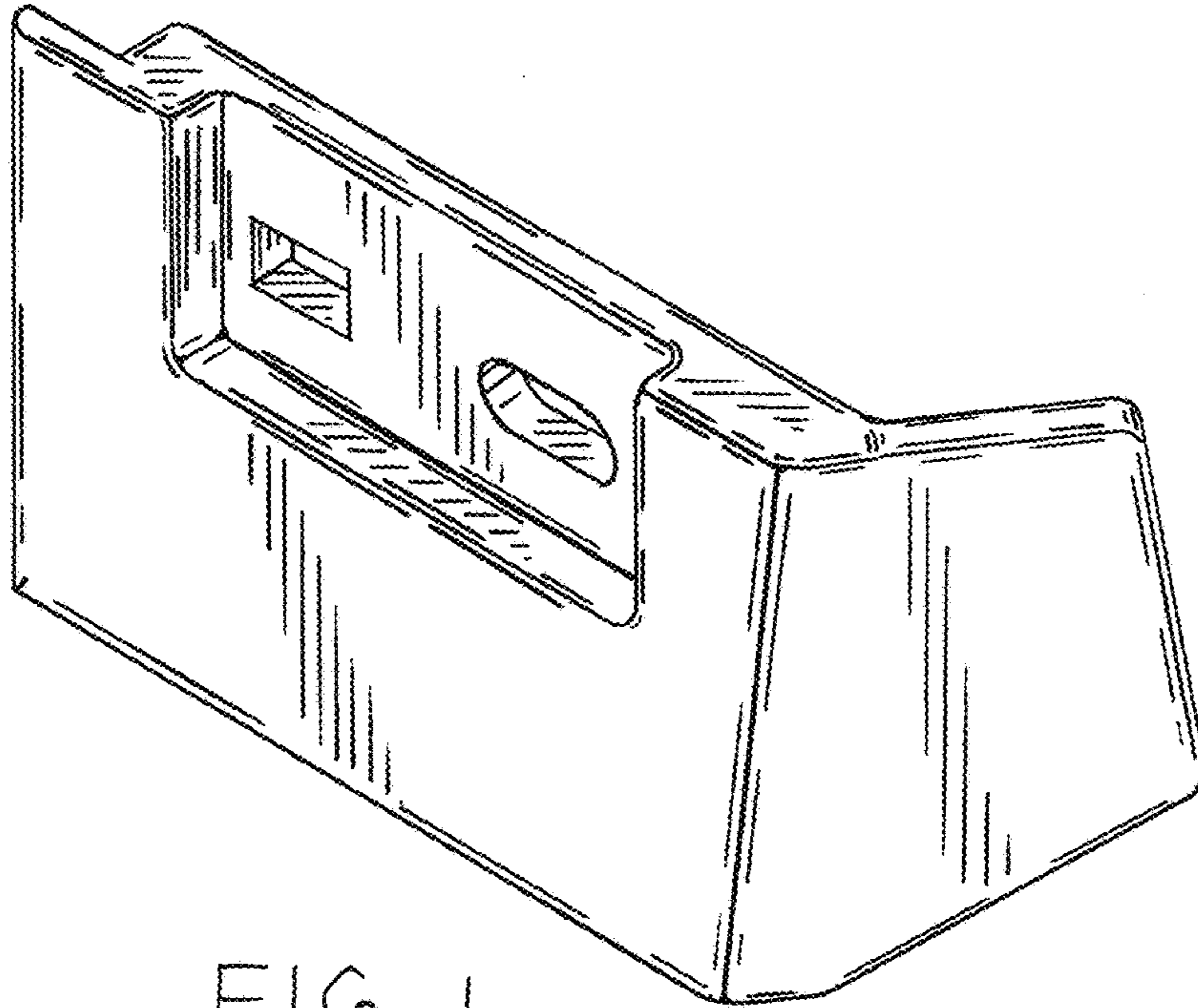


FIG. 1

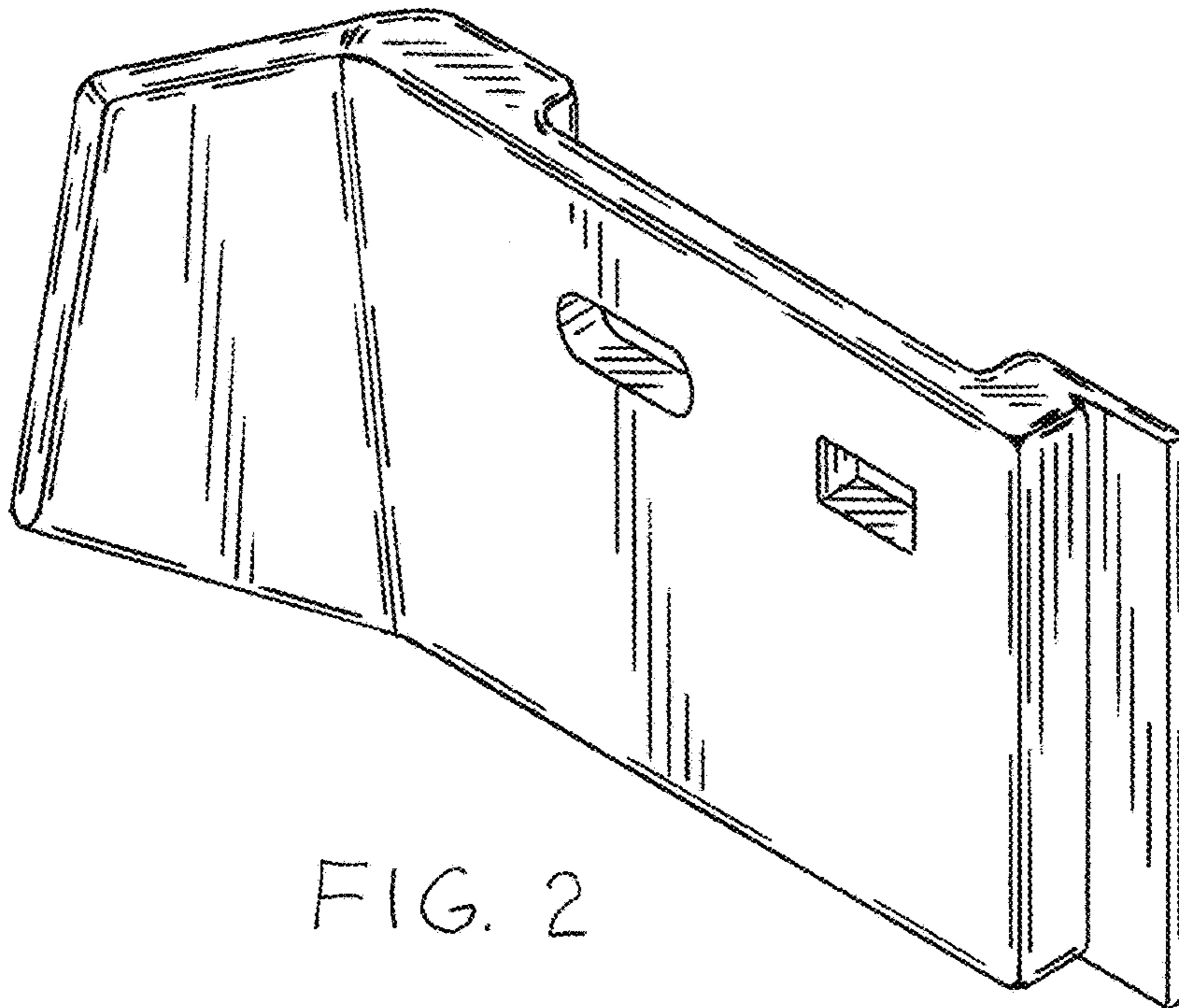


FIG. 2





FIG. 6

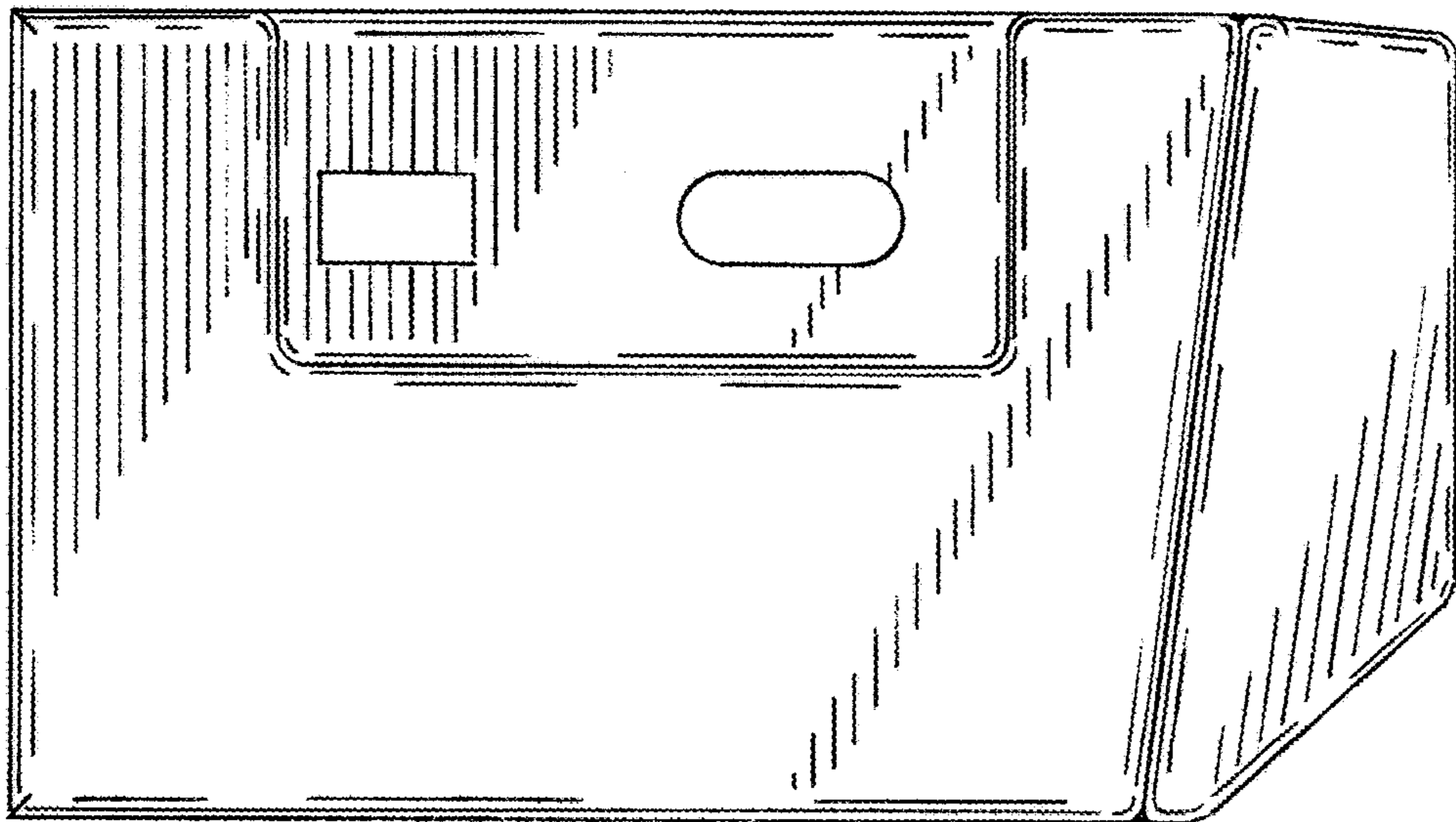


FIG. 3

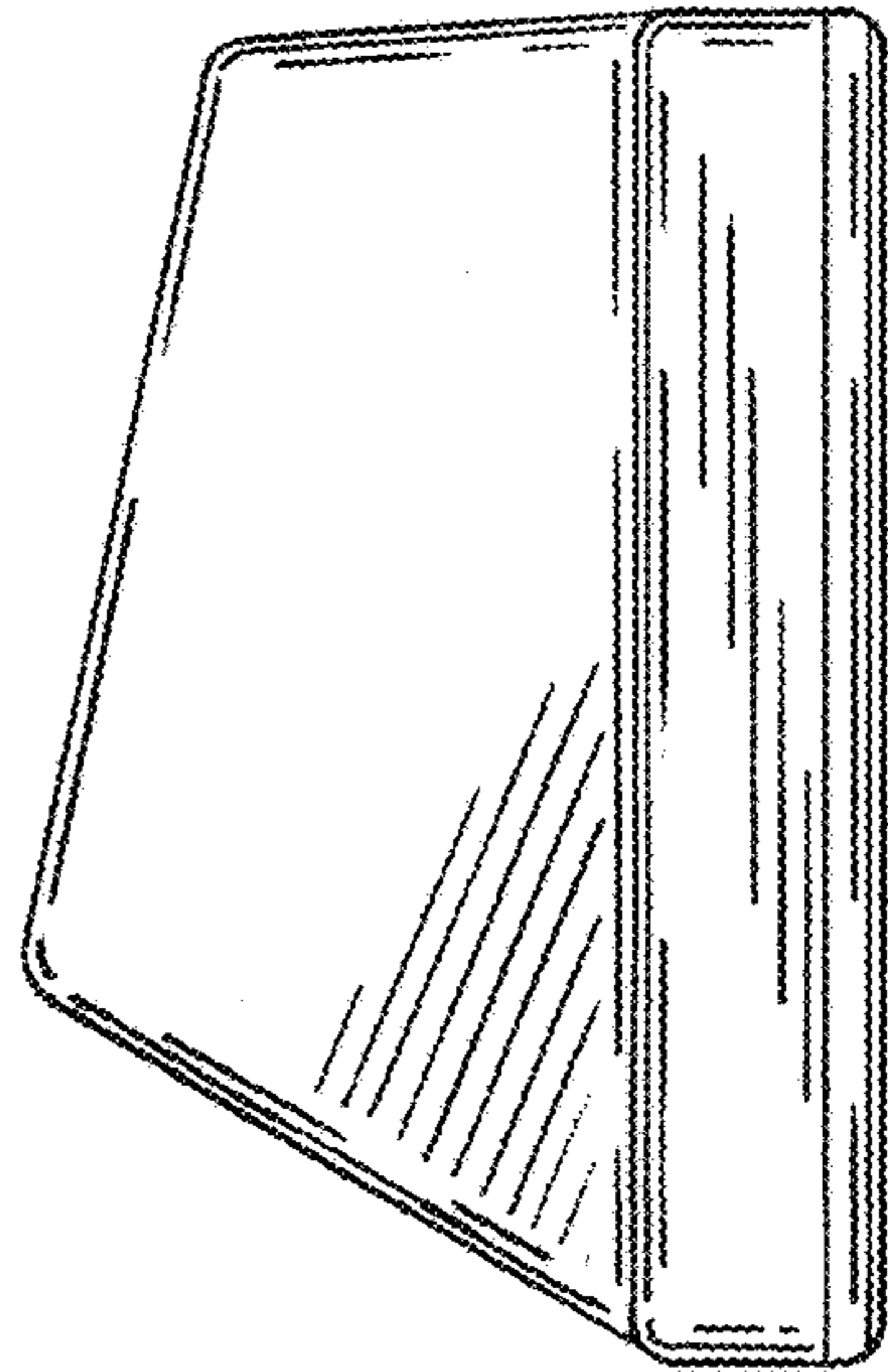


FIG. 4

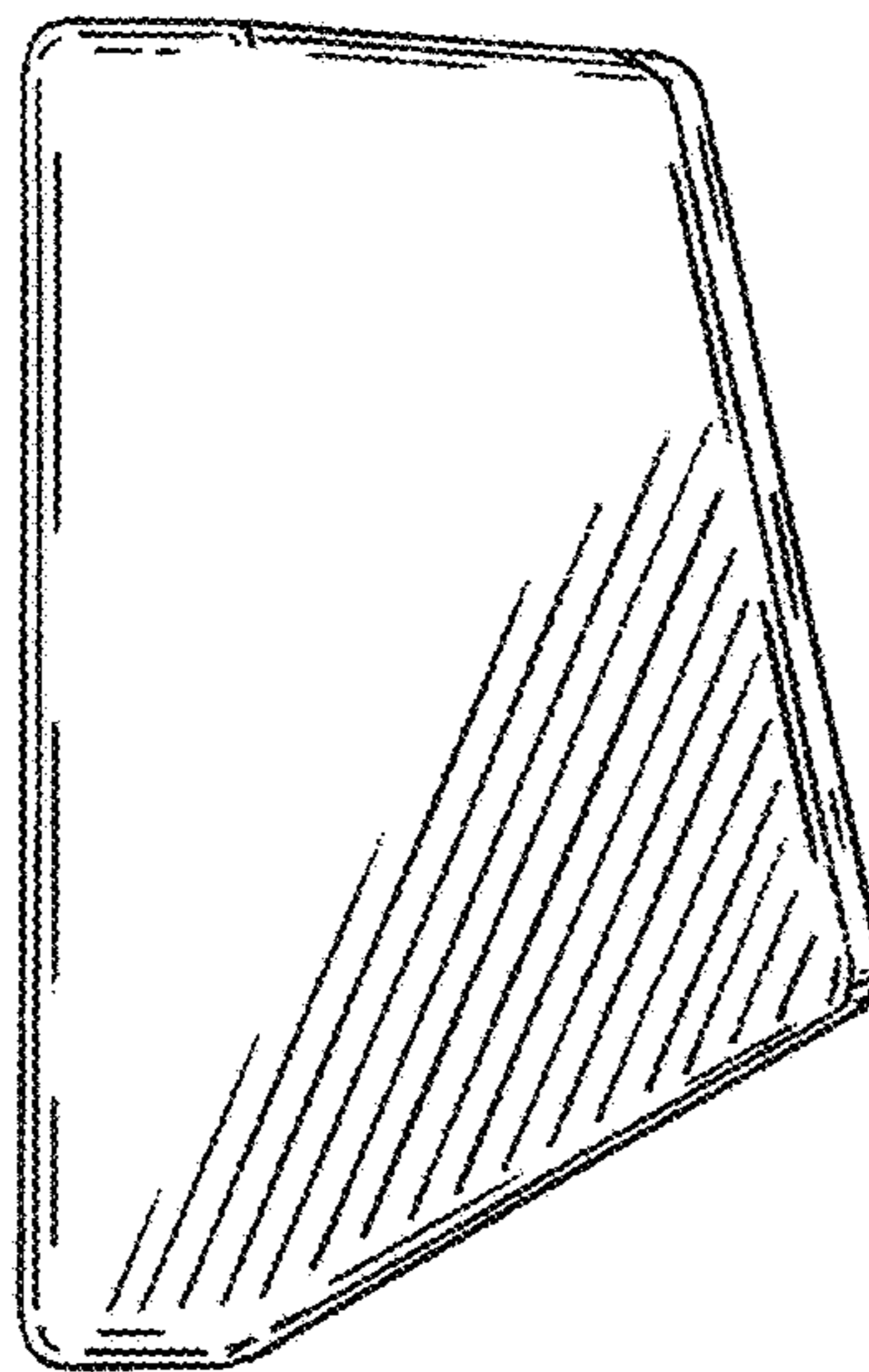


FIG. 5

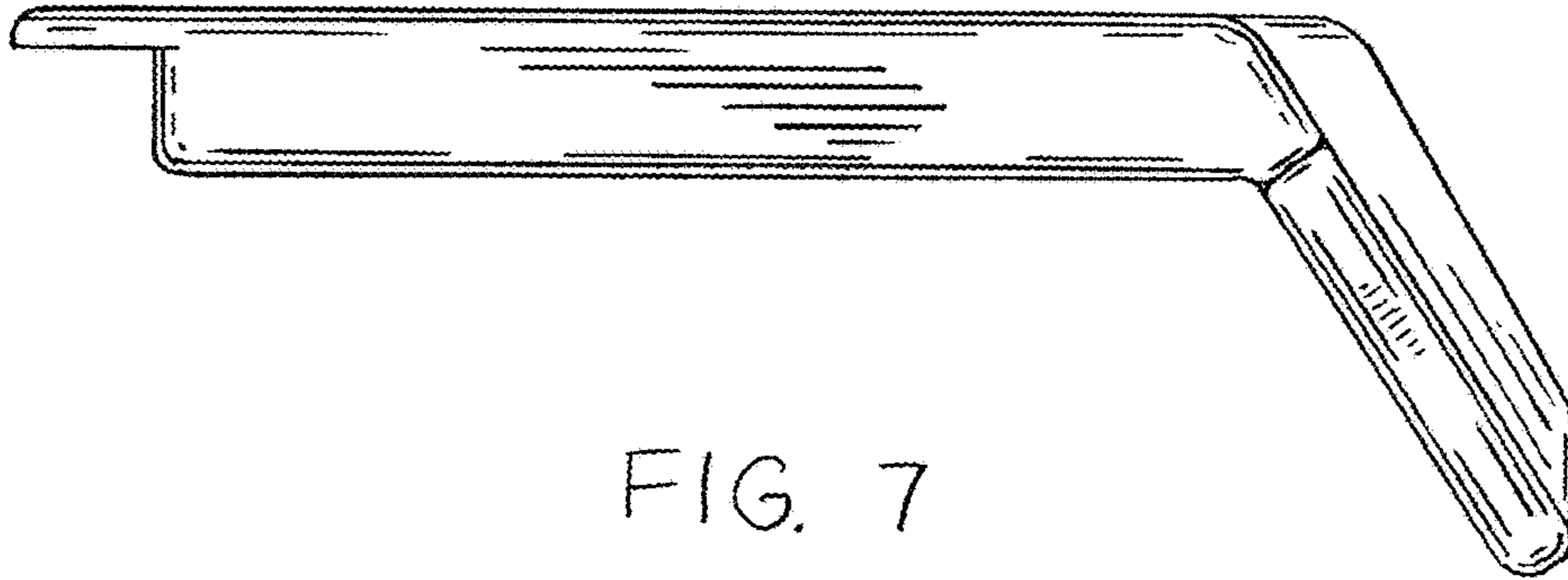


FIG. 7

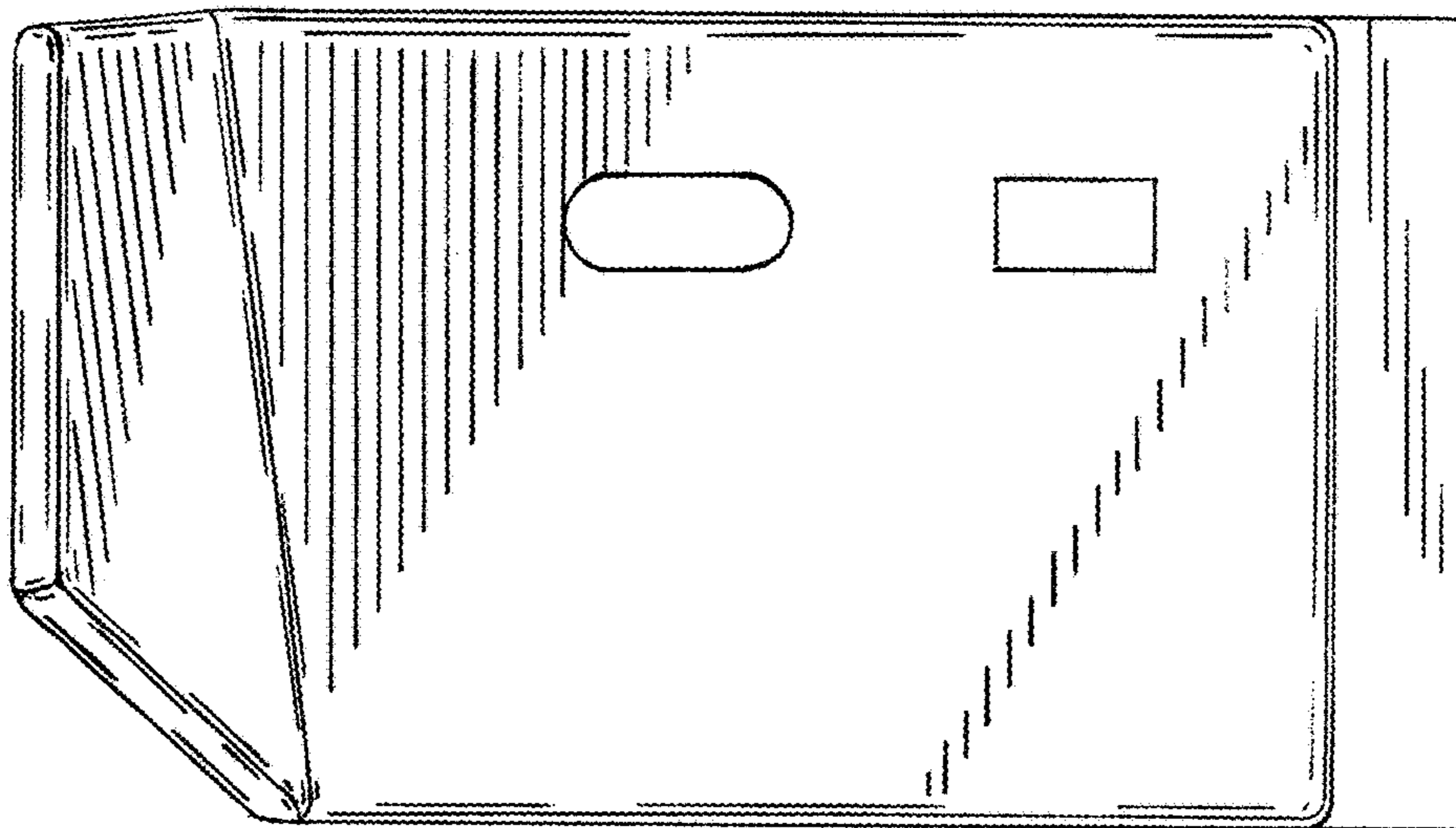


FIG. 8