



US00D839313S

(12) **United States Design Patent**
Lee et al.

(10) **Patent No.:** **US D839,313 S**
(45) **Date of Patent:** **** Jan. 29, 2019**

(54) **CONTROL PUMP**

FOREIGN PATENT DOCUMENTS

(71) Applicant: **S.A. Armstrong Limited**, Scarborough (CA)

EP 0464355 B1 12/1993
EP 0464360 B1 11/1994

(Continued)

(72) Inventors: **David T. W. Lee**, Scarborough (CA);
Neal Halverson, Scarborough (CA)

OTHER PUBLICATIONS

(73) Assignee: **S.A. Armstrong Limited**, Scarborough, Ontario (CA)

Armstrong; Series 4302; Vertical In-Line Dualarm Split-Coupled; 3x3x6 Submittal; Dec. 4, 2014.

(Continued)

(**) Term: **15 Years**

(21) Appl. No.: **29/640,301**

Primary Examiner — Ralf Seifert

(22) Filed: **Mar. 13, 2018**

(74) *Attorney, Agent, or Firm* — Bret E. Field; Bozicevic, Field & Francis LLP

(57) **CLAIM**

The ornamental design for control pump, as shown and described.

Related U.S. Application Data

(62) Division of application No. 29/606,142, filed on Jun. 1, 2017.

DESCRIPTION

(30) **Foreign Application Priority Data**

Jan. 27, 2017 (CA) 172776

(51) **LOC (11) Cl.** **15-02**

(52) **U.S. Cl.**
USPC **D15/7**

(58) **Field of Classification Search**
USPC D15/7-9; D23/231, 232, 225; 417/60, 417/235, 265, 321, 355, 358, 363, 359,
(Continued)

FIG. 1 is a front perspective view of the control pump, in a first variant;
FIG. 2 is a rear perspective view of the control pump shown in FIG. 1;
FIG. 3 is front view of the control pump shown in FIG. 1;
FIG. 4 is a rear view of the control pump shown in FIG. 1;
FIG. 5 is a left side view of the control pump shown in FIG. 1;
FIG. 6 is a right side view of the control pump shown in FIG. 1;
FIG. 7 is a top view of the control pump shown in FIG. 1; and,
FIG. 8 is a bottom view of the control pump shown in FIG. 1.

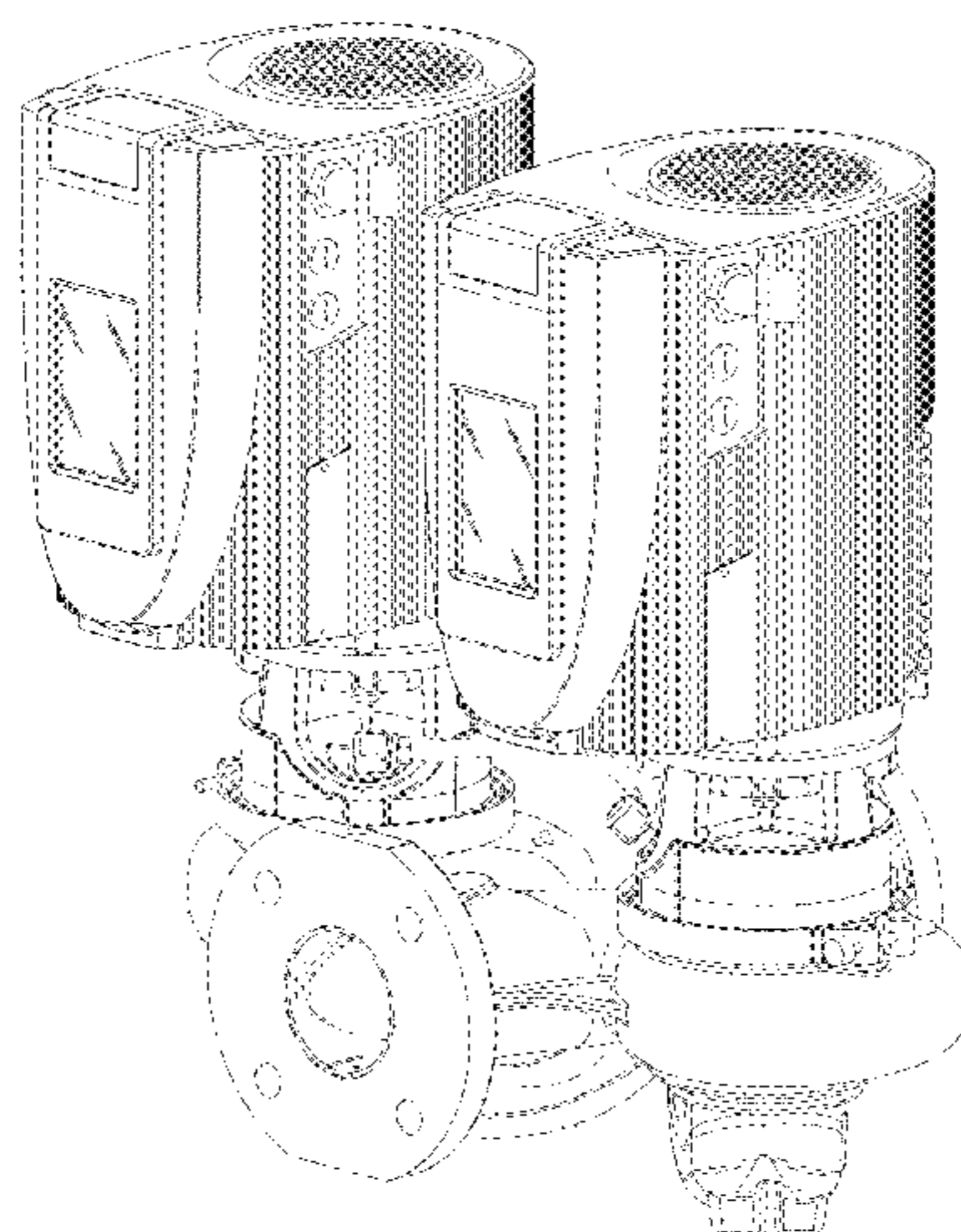
(56) **References Cited**

U.S. PATENT DOCUMENTS

D266,302 S 3/1982 Terajima et al.
D284,380 S * 6/1986 Berg D15/7
(Continued)

The broken lines are included for the purpose of illustrating portions of the control pump that form no part of the claimed design.

1 Claim, 8 Drawing Sheets



(58) **Field of Classification Search**

USPC 417/410.1, 415-416, 405, 900, 269, 539;
 60/408, 412; 184/26-37; 415/140-147;
 123/495, 509; 137/565.34
 CPC F02M 37/04; F02M 37/14; F04B 53/92;
 F04B 1/005; F04D 13/06; F04D 29/22;
 F04D 29/046; F04D 29/2266
 See application file for complete search history.

D797,154 S * 9/2017 Fujiwara D15/7
 D803,891 S 11/2017 Timmer
 2015/0293505 A1 10/2015 Acosta Gonzalez

FOREIGN PATENT DOCUMENTS

EP 0864755 B1 8/2003
 EP 2143953 B1 6/2011
 EP 2354555 12/2015

(56) **References Cited**

U.S. PATENT DOCUMENTS

D296,556 S * 7/1988 Hirakawa D15/7
 5,139,397 A 8/1992 Strelow
 5,178,520 A 1/1993 Strelow
 D440,230 S * 4/2001 Craford D15/7
 D471,561 S 3/2003 Kohsaka
 D558,232 S 12/2007 Wang
 D609,595 S 2/2010 Soderstrom
 D647,110 S 10/2011 Pages
 D647,537 S * 10/2011 Mehnert D15/7
 D649,561 S 11/2011 Bauck et al.
 D652,844 S 1/2012 Hanitsch et al.
 D667,845 S 9/2012 Moysi et al.
 D668,684 S 10/2012 Noguchi
 D676,063 S * 2/2013 Soja D15/7
 8,376,698 B2 2/2013 Vedsted
 D677,282 S * 3/2013 Soja D15/7
 D696,695 S 12/2013 Sofussen et al.
 D696,696 S 12/2013 Sofussen et al.
 D704,748 S * 5/2014 Beers D15/7
 D722,083 S * 2/2015 Soja D15/7
 D723,063 S * 2/2015 Edler D15/7
 D733,190 S * 6/2015 West D15/7
 9,051,936 B2 6/2015 Kallesoe et al.
 D742,928 S * 11/2015 West D15/7
 D771,148 S * 11/2016 Soja D15/7

OTHER PUBLICATIONS

Armstrong; Series 4302; Vertical In-Line Dualarm Split-Coupled;
 3x3x8 Submittal; Dec. 4, 2014.
 Armstrong; Series 4302; Vertical In-Line Dualarm Split-Coupled;
 3x3x10 Submittal; Dec. 4, 2014.
 Armstrong; Series 4302; Vertical In-Line Dualarm Split-Coupled;
 4x4x6 Submittal; Dec. 4, 2014.
 Armstrong; Series 4302; Vertical In-Line Dualarm Split-Coupled;
 4x4x8 Submittal; Dec. 4, 2014.
 Armstrong; Series 4302; Vertical In-Line Dualarm Split-Coupled;
 4x4x10 Submittal; Dec. 4, 2014.
 Armstrong; Series 4302; Vertical In-Line Dualarm Split-Coupled;
 6x6x6 Submittal; Dec. 4, 2014.
 Armstrong; Series 4302; Vertical In-Line Dualarm Split-Coupled;
 6x6x8 Submittal; Dec. 4, 2014.
 Armstrong; Series 4302; Vertical In-Line Dualarm Split-Coupled;
 6x6x10 Submittal; Dec. 4, 2014.
 Armstrong; Series 4302; Vertical In-Line Dualarm Split-Coupled;
 8x8x8 Submittal; Dec. 4, 2014.
 Armstrong; Series 4302; Vertical In-Line Dualarm Split-Coupled;
 8x8x10 Submittal; Dec. 4, 2014.
 Armstrong; Series 4302; Vertical In-Line Dualarm Split-Coupled;
 8x8x11.5 Submittal; Dec. 4, 2014.
 Armstrong; Series 4302; Vertical In-Line Dualarm Split-Coupled;
 8x8x13 Submittal; Dec. 4, 2014.

* cited by examiner

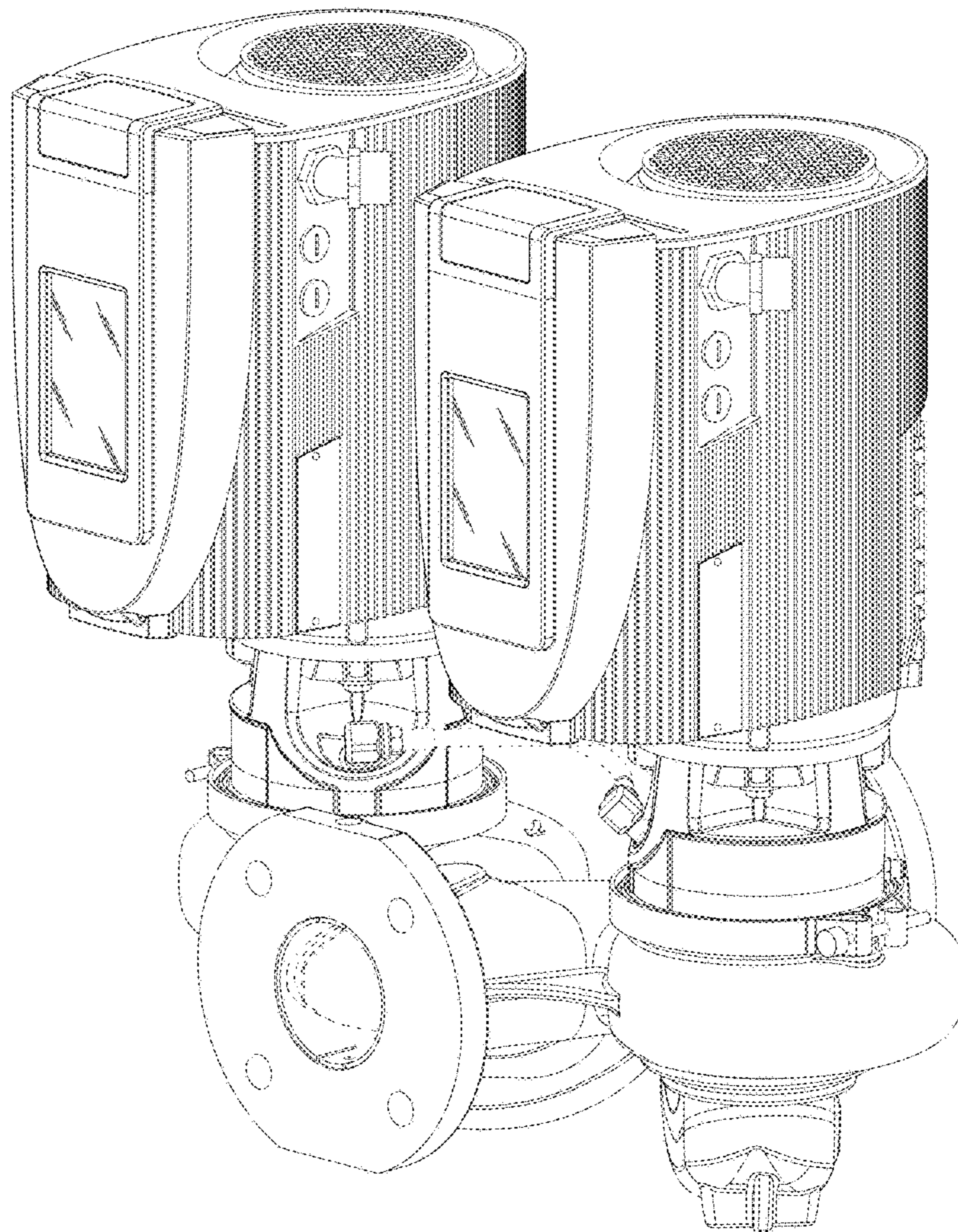


FIG.1

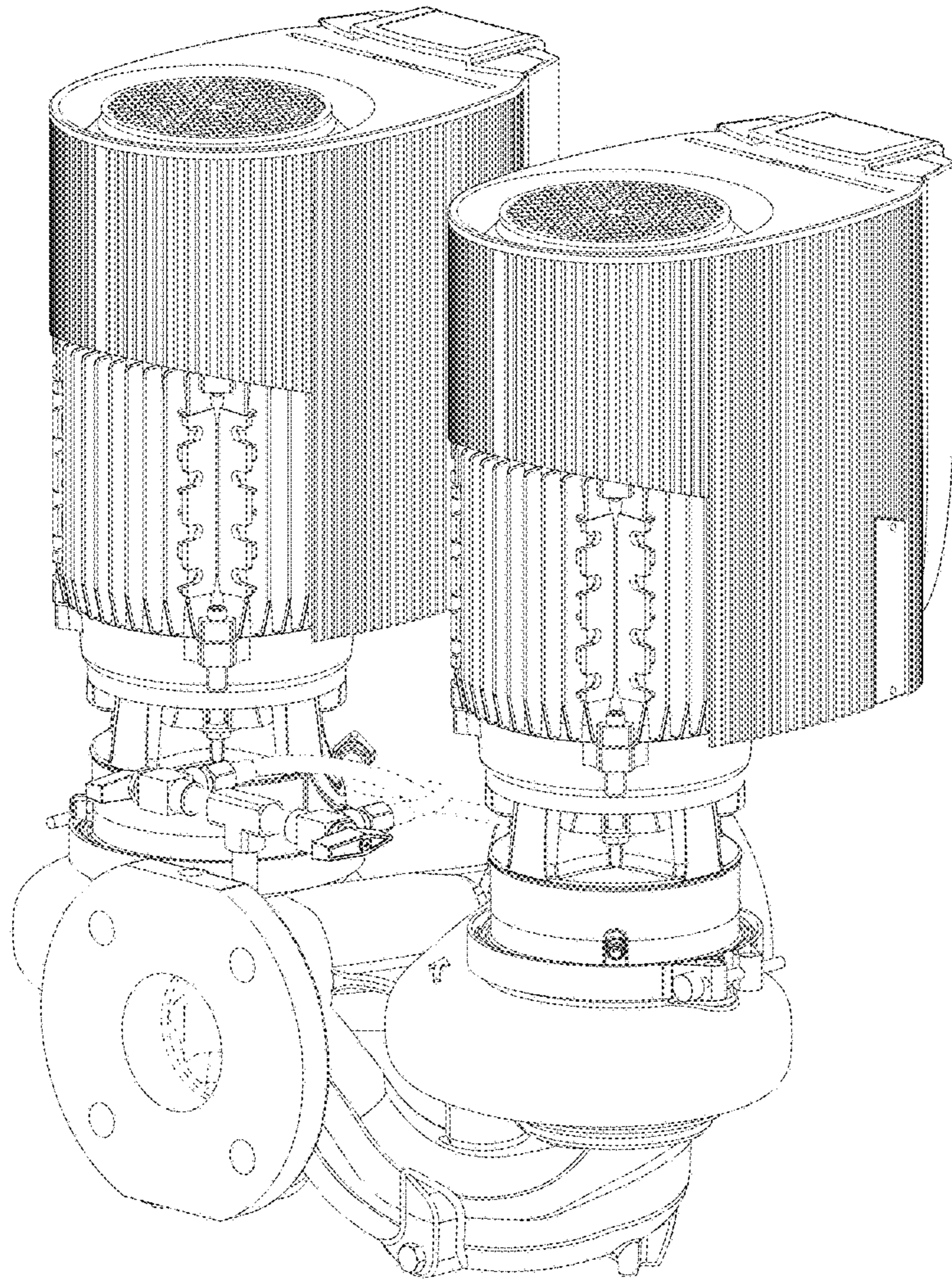


FIG.2

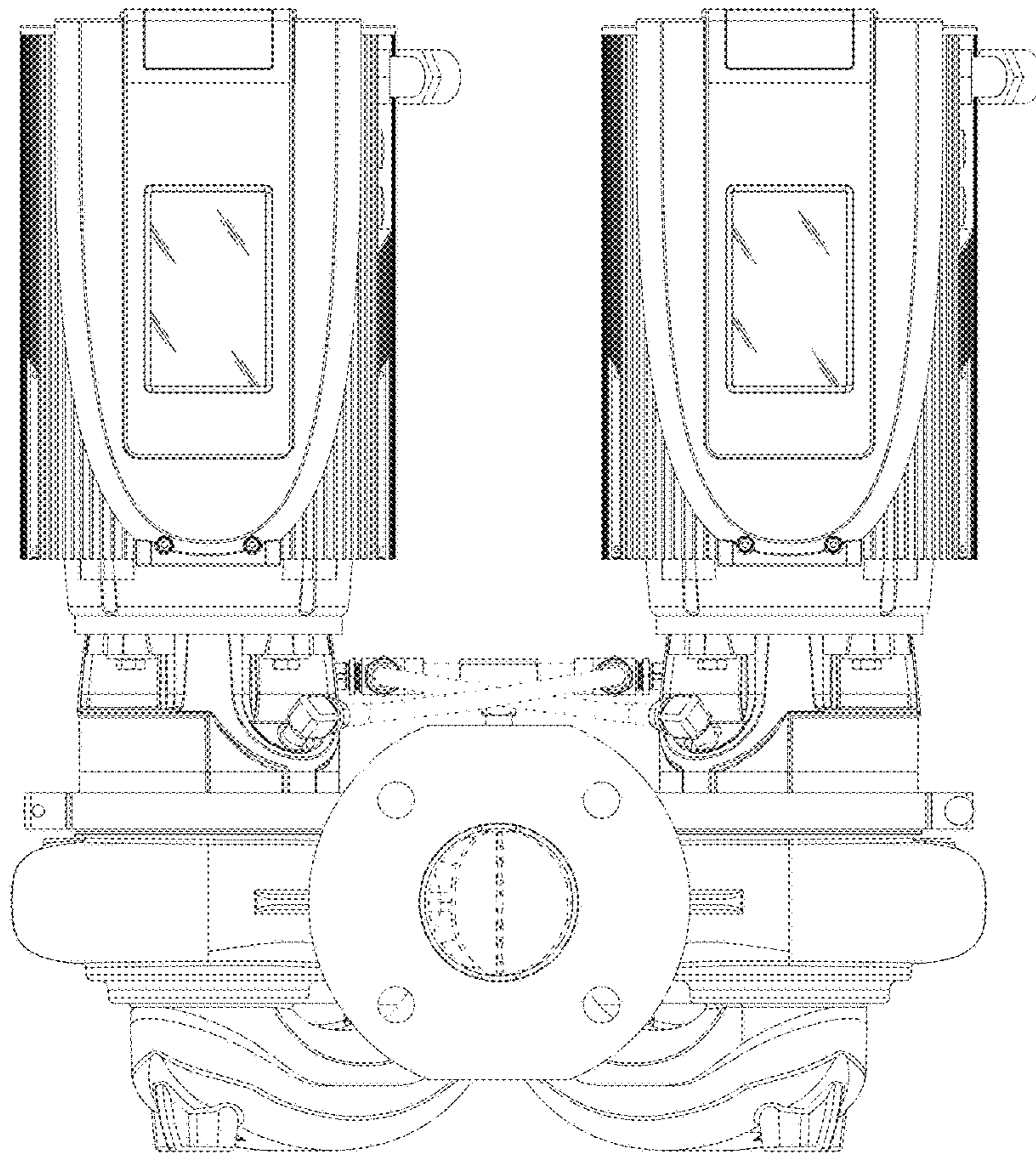


FIG.3

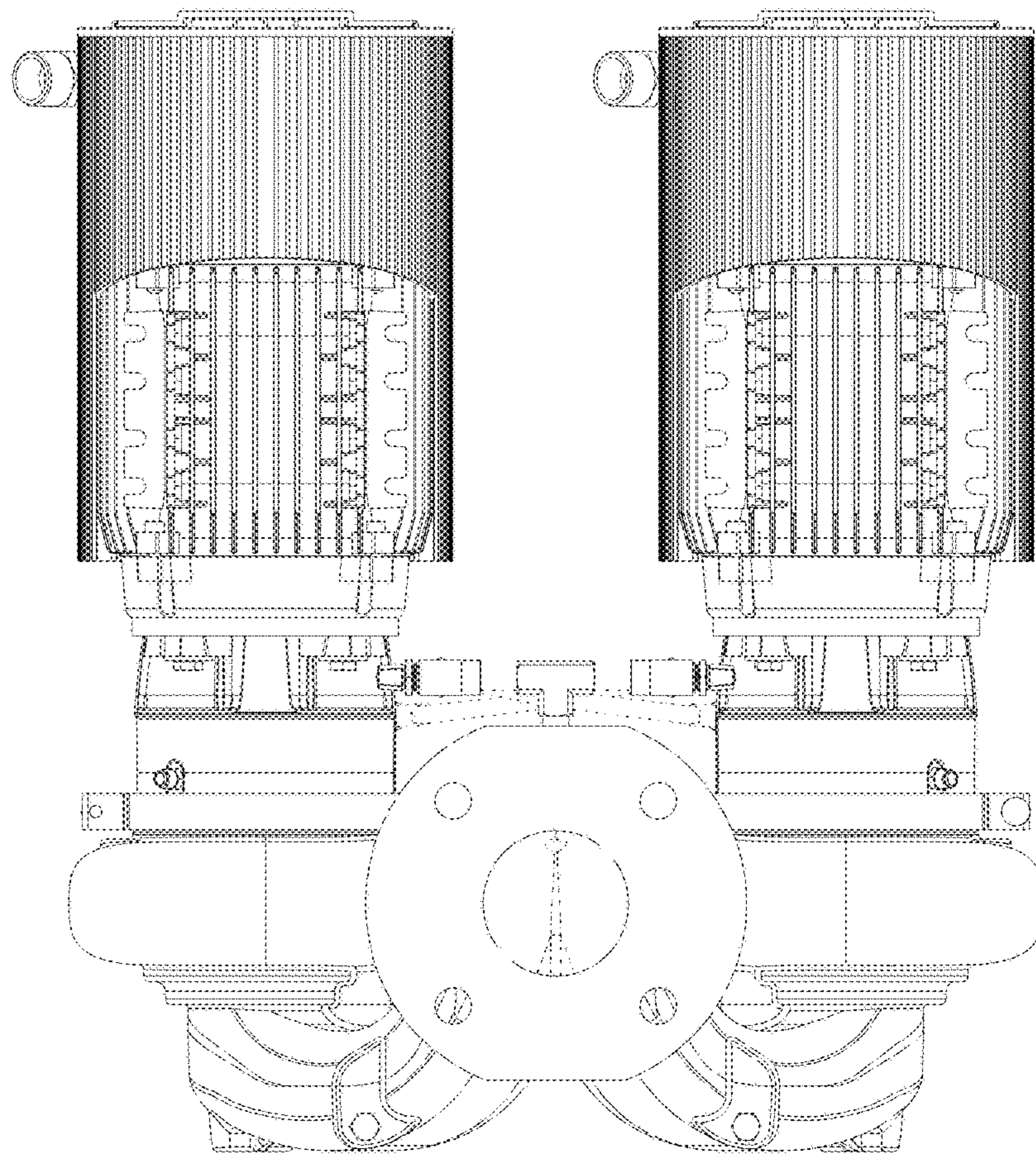


FIG.4

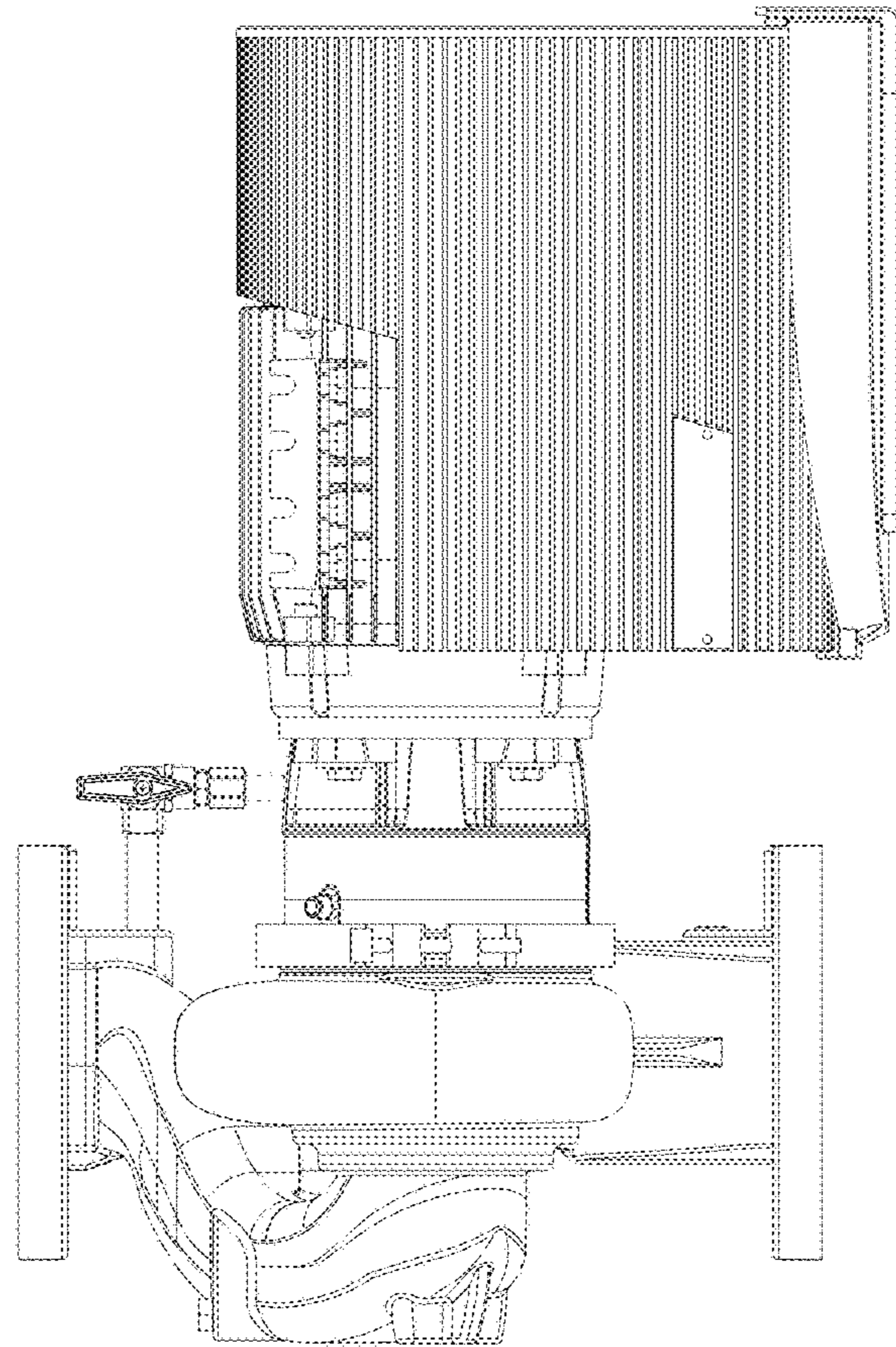


FIG.5

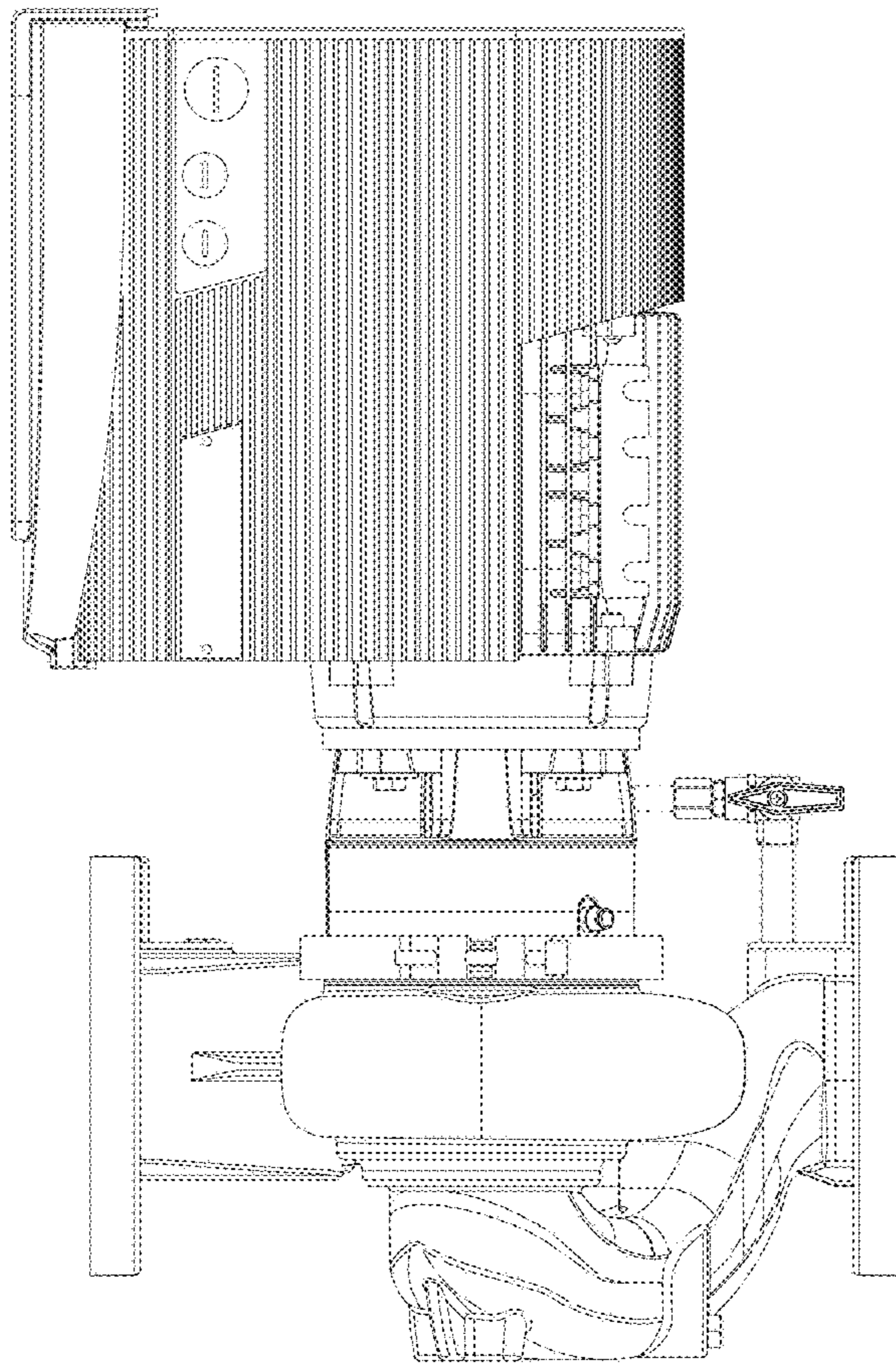


FIG.6

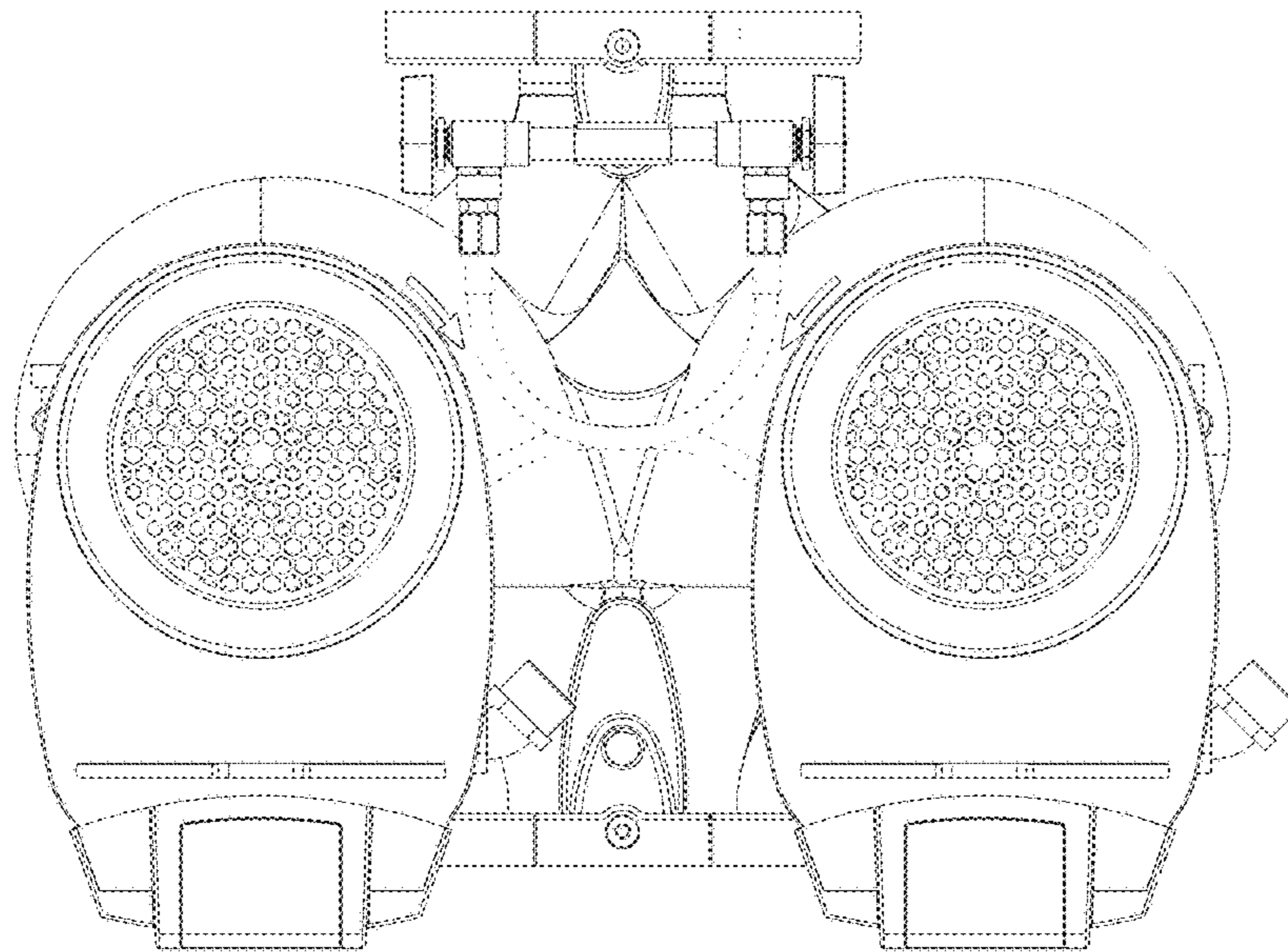


FIG.7

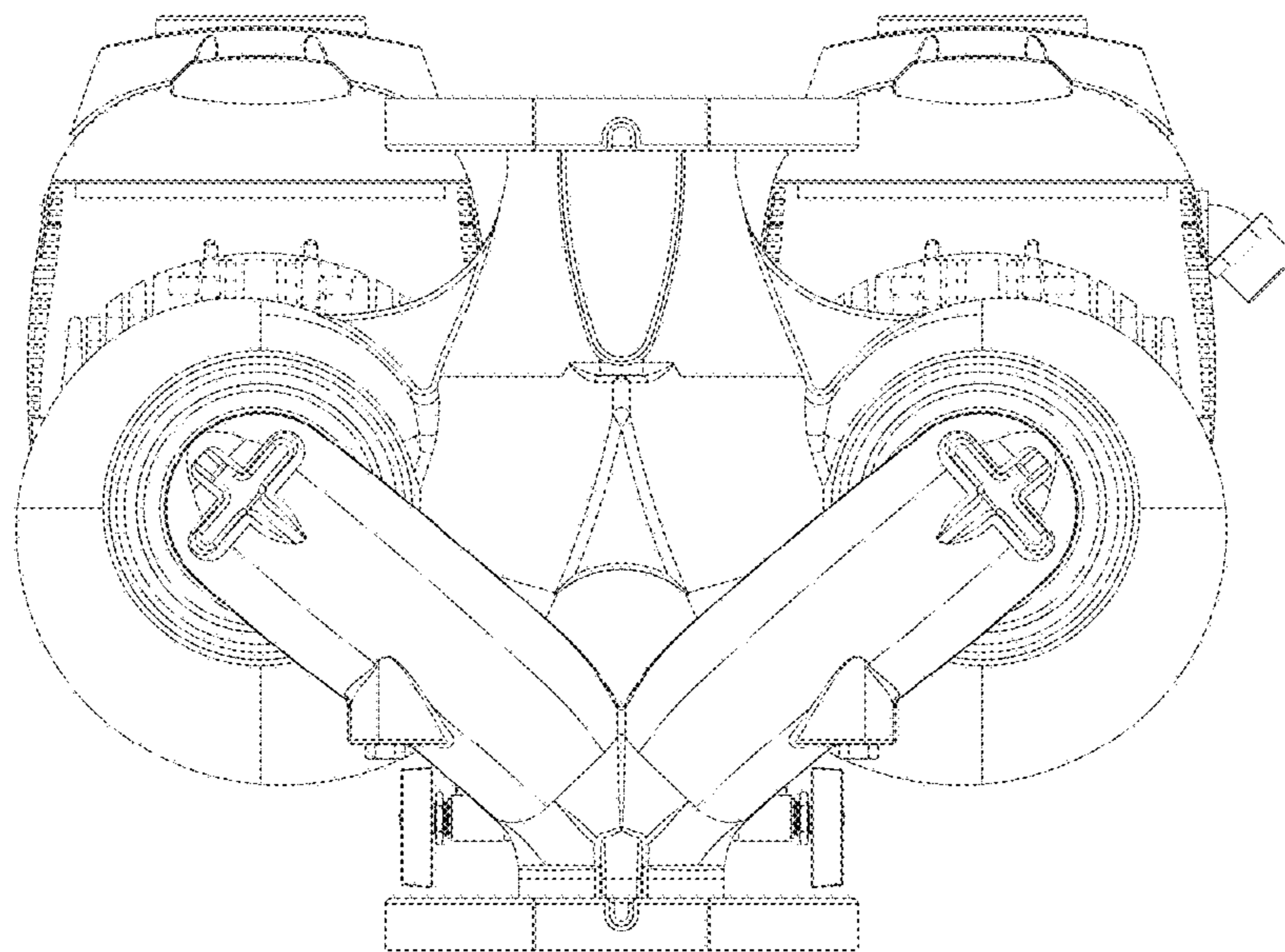


FIG.8