



US00D839312S

(12) **United States Design Patent**
Bader

(10) **Patent No.:** **US D839,312 S**

(45) **Date of Patent:** **** Jan. 29, 2019**

(54) **PUMP (LIQUID-)**

(71) Applicant: **J. WAGNER GMBH**, Markdorf (DE)

(72) Inventor: **Stephan Bader**, Bermatingen (DE)

(73) Assignee: **J. Wagner GmbH**, Markdorf (DE)

(**) Term: **15 Years**

(21) Appl. No.: **29/566,938**

(22) Filed: **Jun. 3, 2016**

(30) **Foreign Application Priority Data**

Dec. 4, 2015 (DE) 40 2015 101 287

(51) **LOC (11) Cl.** **15-02**

(52) **U.S. Cl.**
USPC **D15/7**

(58) **Field of Classification Search**
USPC D15/7-9; D23/231, 232, 225; 417/60,
417/235, 265, 321, 355, 358, 363, 359,
417/410.1, 415-416, 405, 900, 269, 539;
60/408, 412; 52/115-118, 745.18;
415/140-147; 123/495, 509; 137/565.34;
172/122

CPC F02M 37/04; F02M 37/14; F04B 53/92;
F04B 1/005; F04D 13/06; F04D 29/22;
F04D 29/046; F04D 29/2266; F21B 7/02;
E21B 15/09; E21B 15/003; E21B 19/14

See application file for complete search history.

(56) **References Cited**

U.S. PATENT DOCUMENTS

D454,357 S *	3/2002	Diels	D15/7
D527,024 S *	8/2006	Happ	D15/7
D590,843 S *	4/2009	Averill	D15/9
D603,872 S *	11/2009	Averill	D15/9
D618,707 S *	6/2010	Schuetz	D15/7
D662,516 S *	6/2012	Pellin	D15/7
D664,996 S *	8/2012	Hsiao	D15/9
D666,217 S *	8/2012	Pruszynski	D15/7

* cited by examiner

Primary Examiner — Ralf Seifert

(74) *Attorney, Agent, or Firm* — Burr & Brown, PLLC

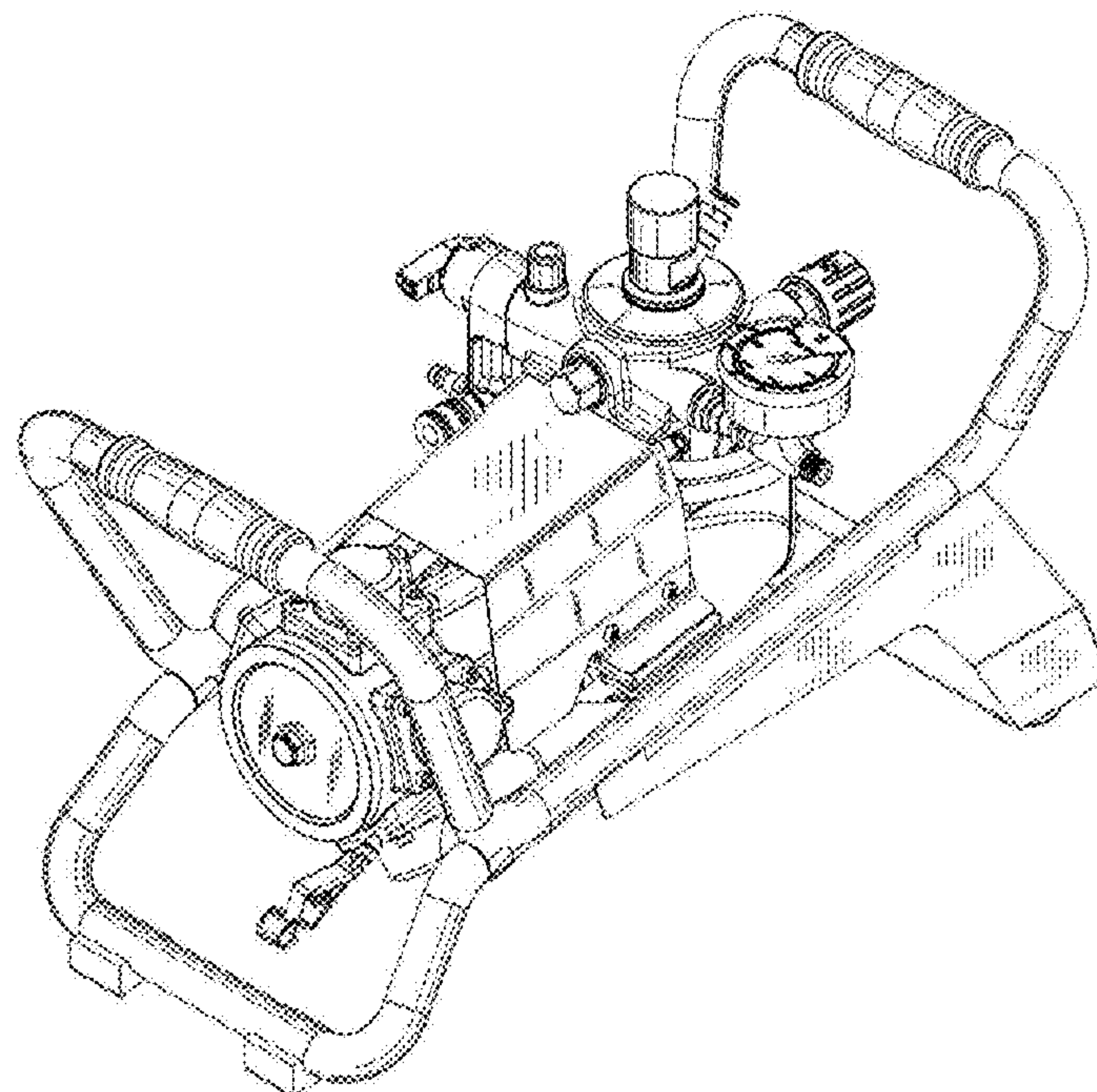
(57) **CLAIM**

The ornamental design for a pump (liquid-), as shown and described.

DESCRIPTION

FIG. 1 is a front perspective view of a pump (liquid-) illustrating my new design;
FIG. 2 is a left side view thereof;
FIG. 3 is a right side view thereof;
FIG. 4 is a top view thereof;
FIG. 5 is a bottom view thereof;
FIG. 6 is a rear view thereof; and,
FIG. 7 is a front view thereof.

1 Claim, 7 Drawing Sheets



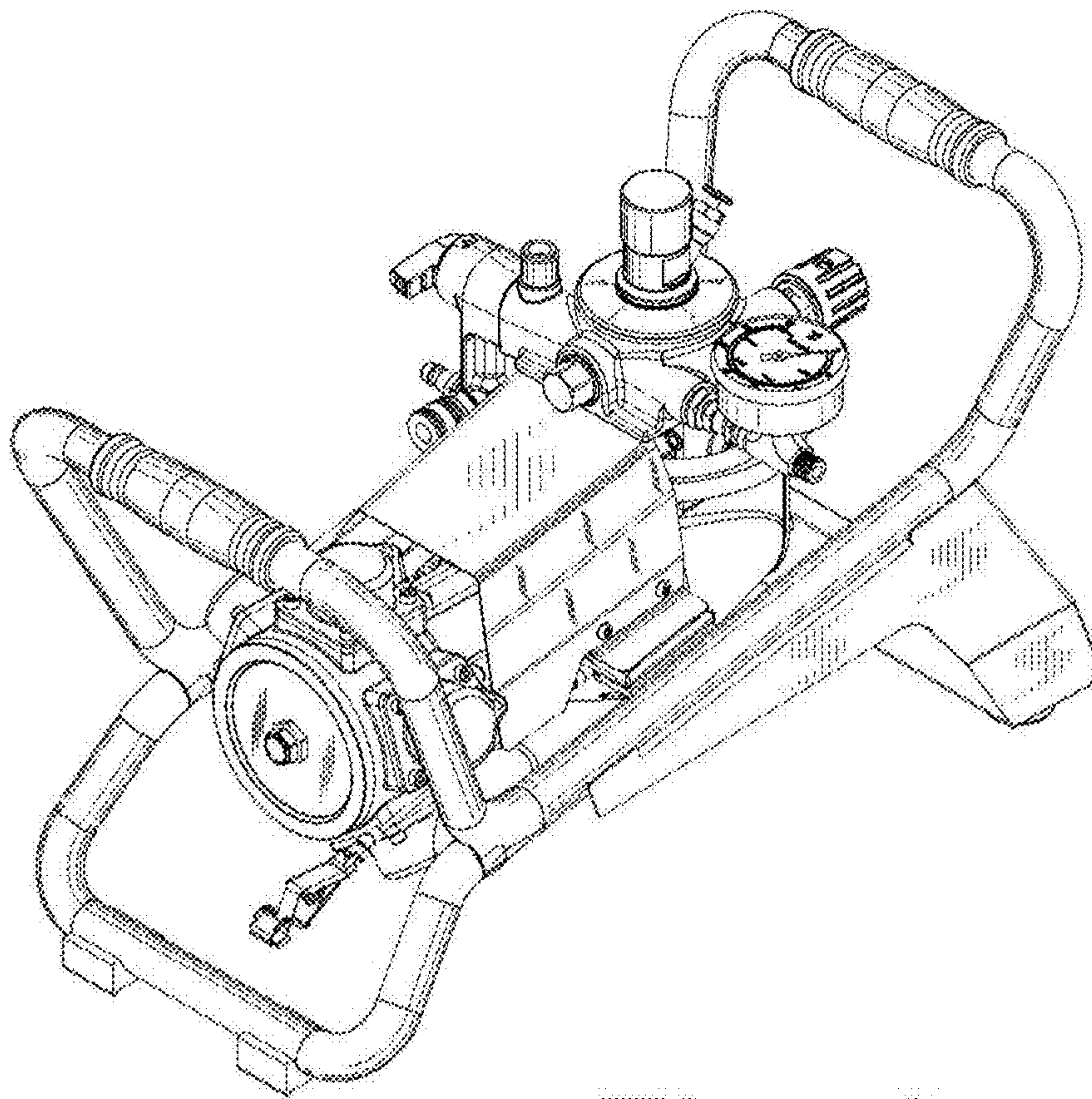


Fig. 1

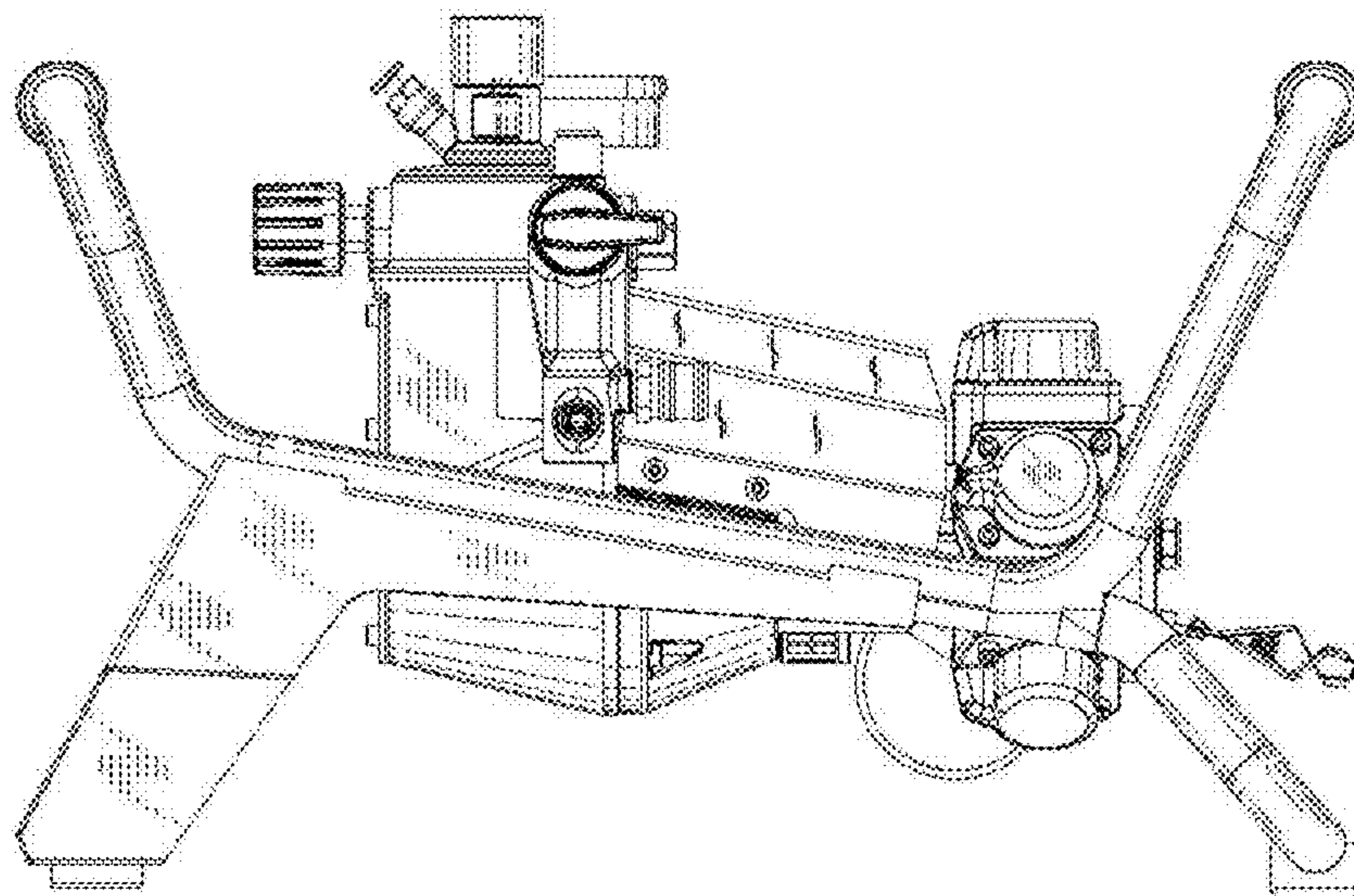


Fig. 2

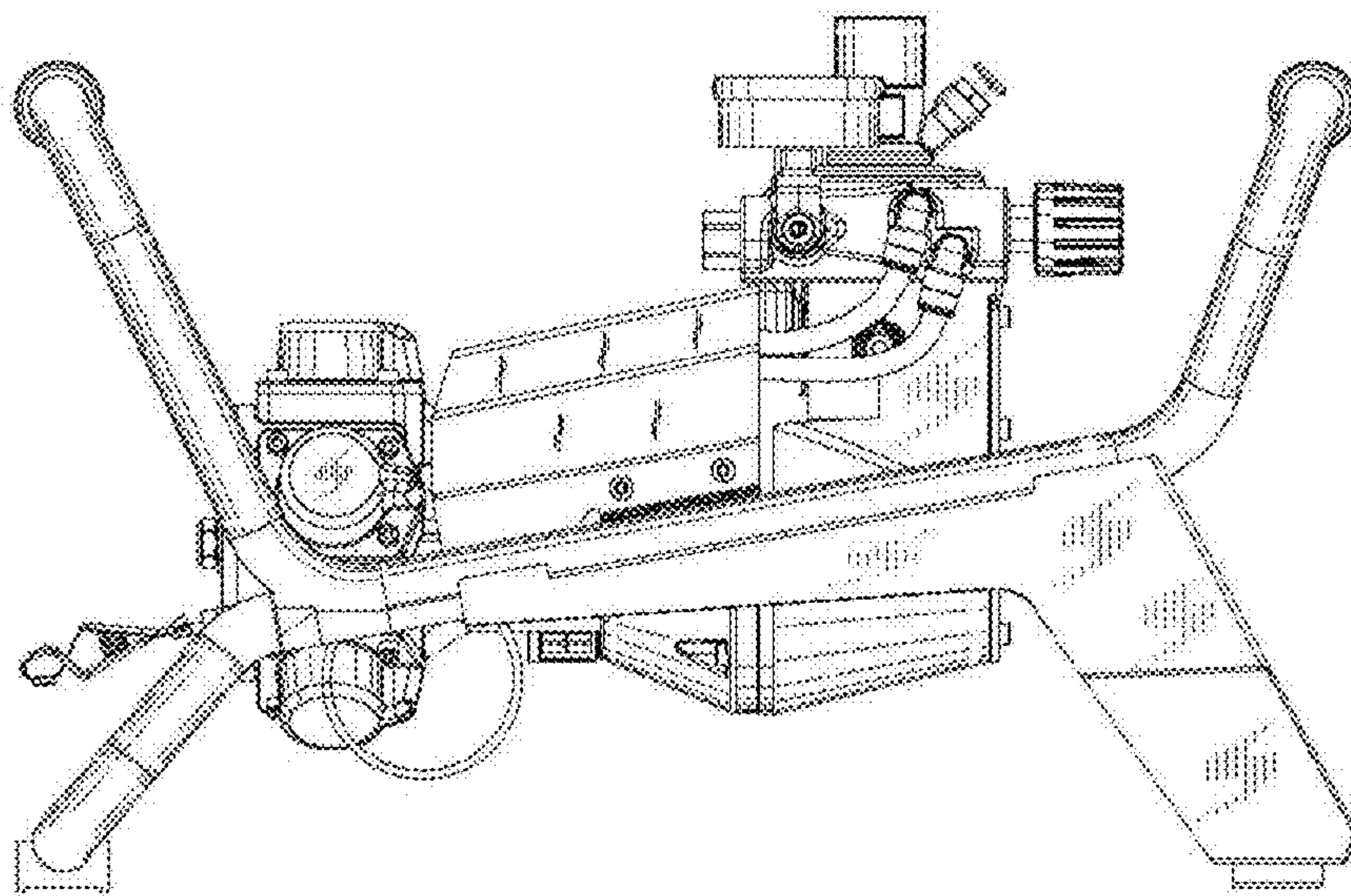


Fig. 3

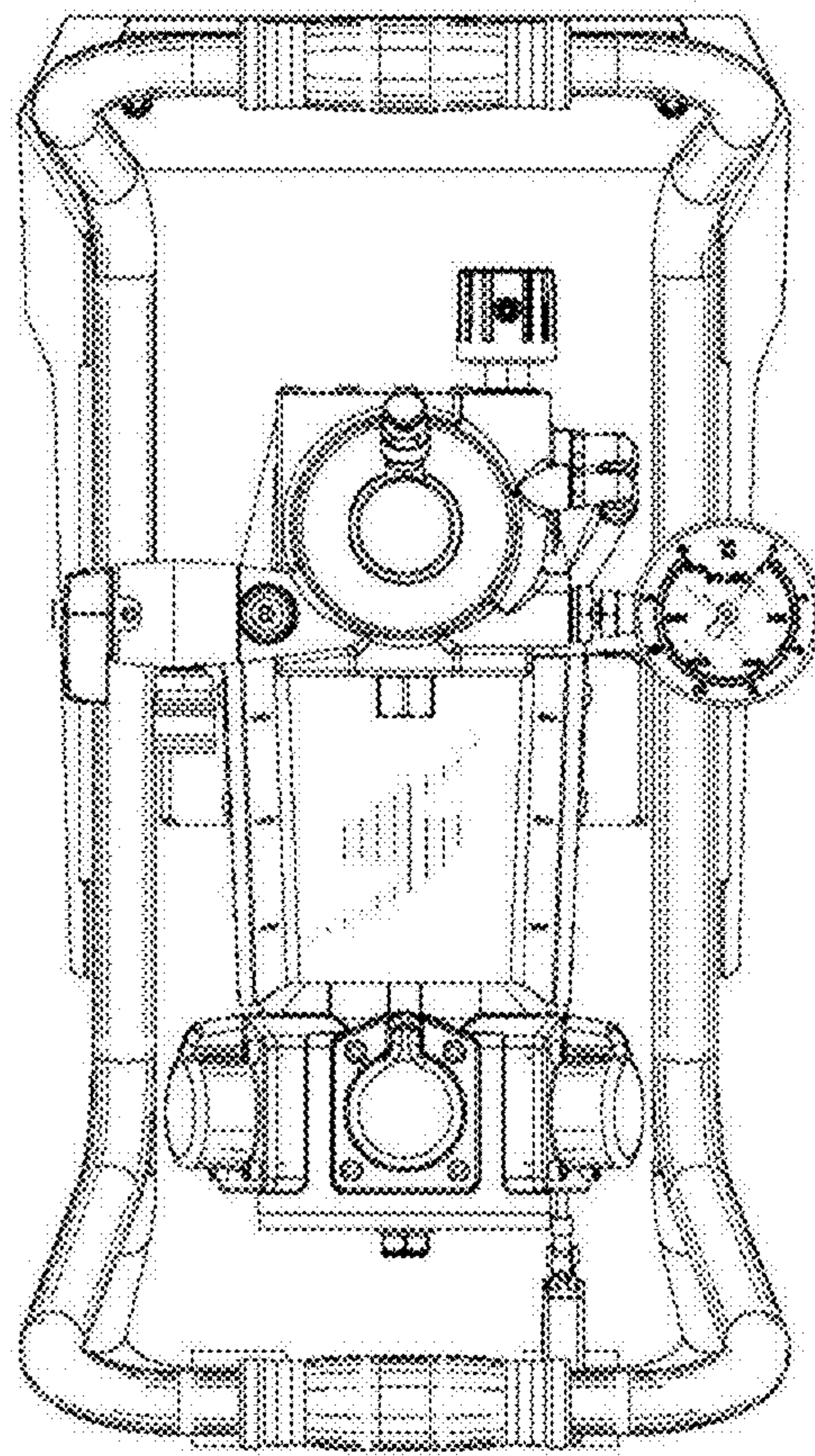


Fig. 4

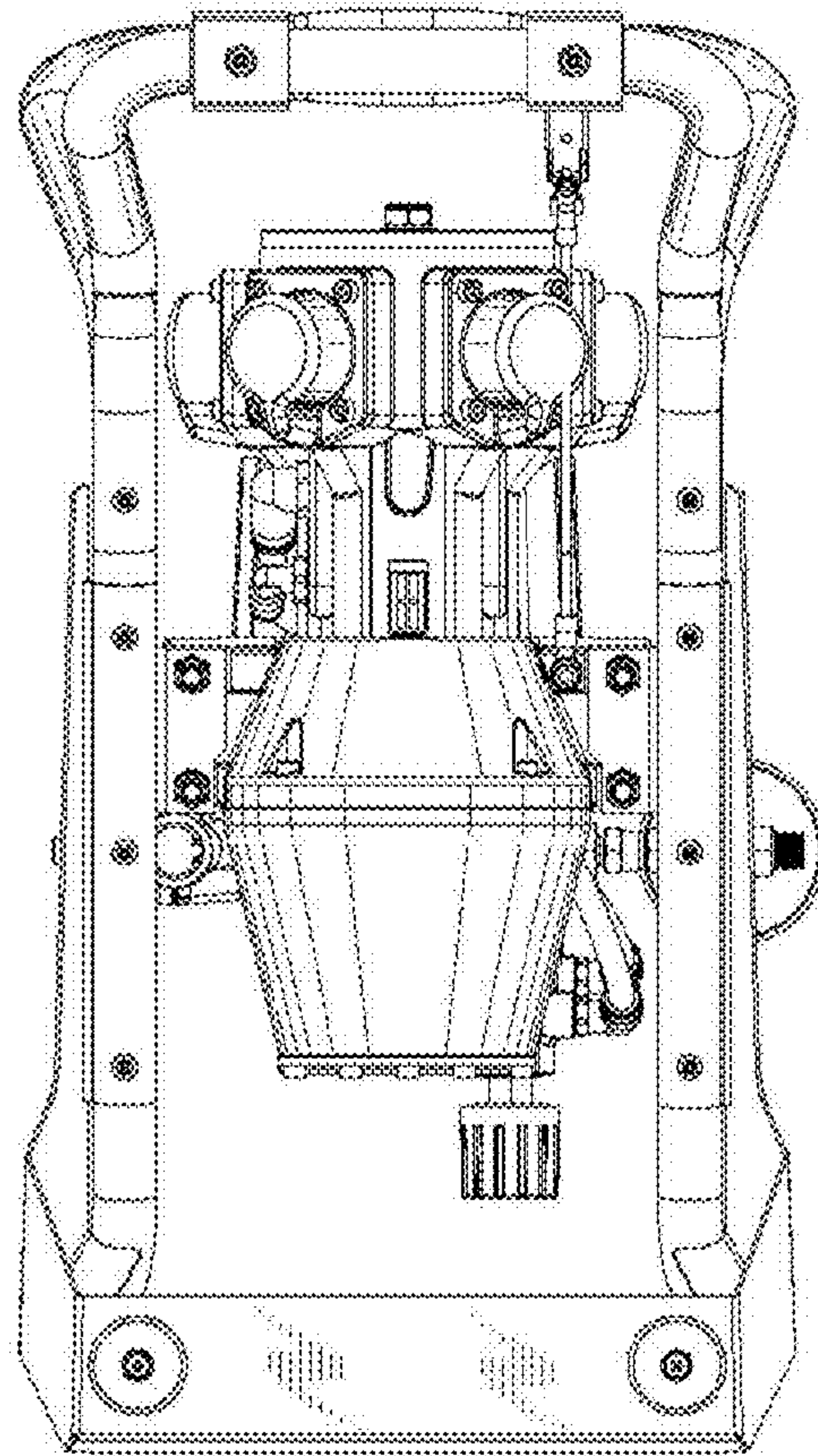


Fig. 5

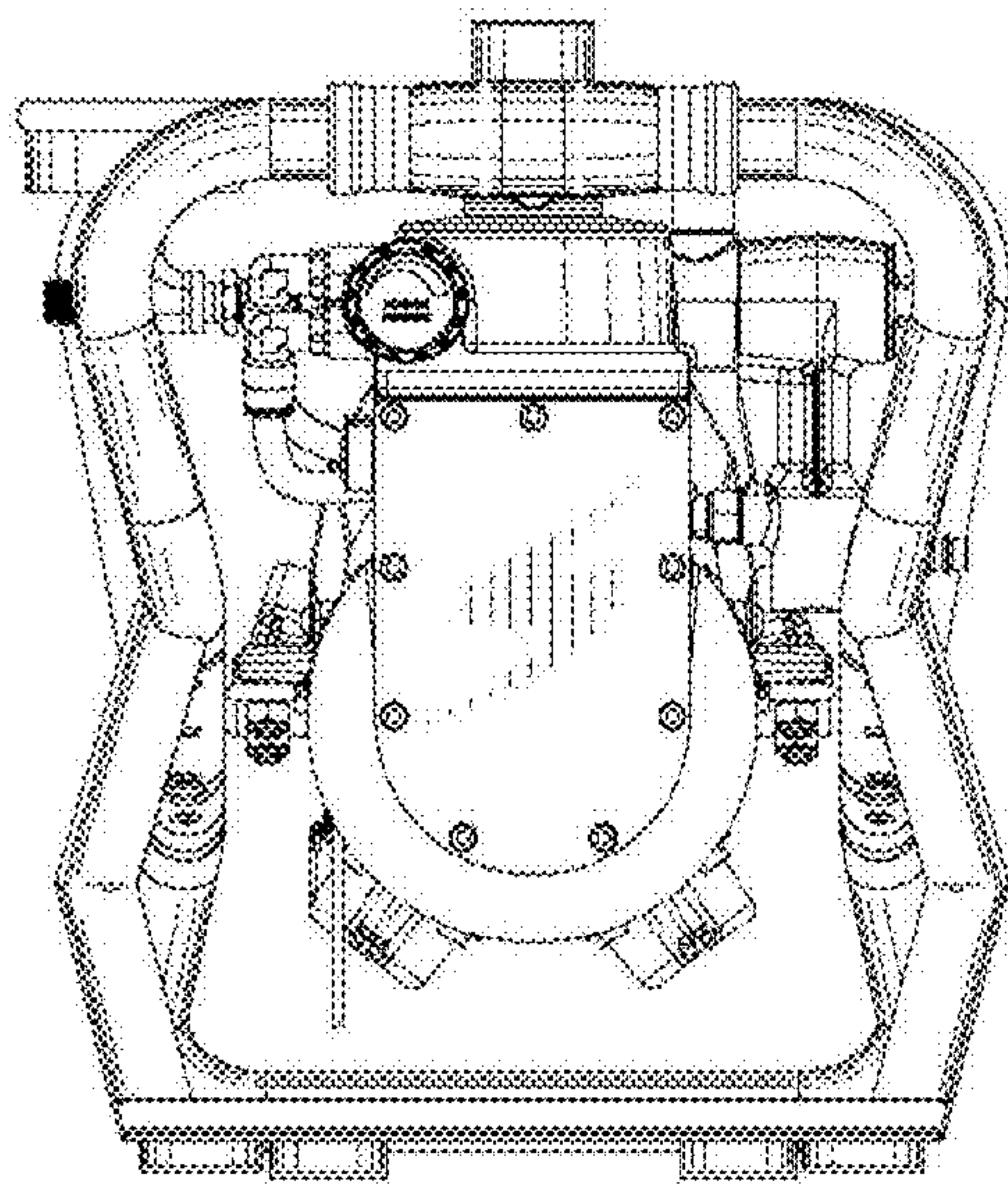


Fig. 6

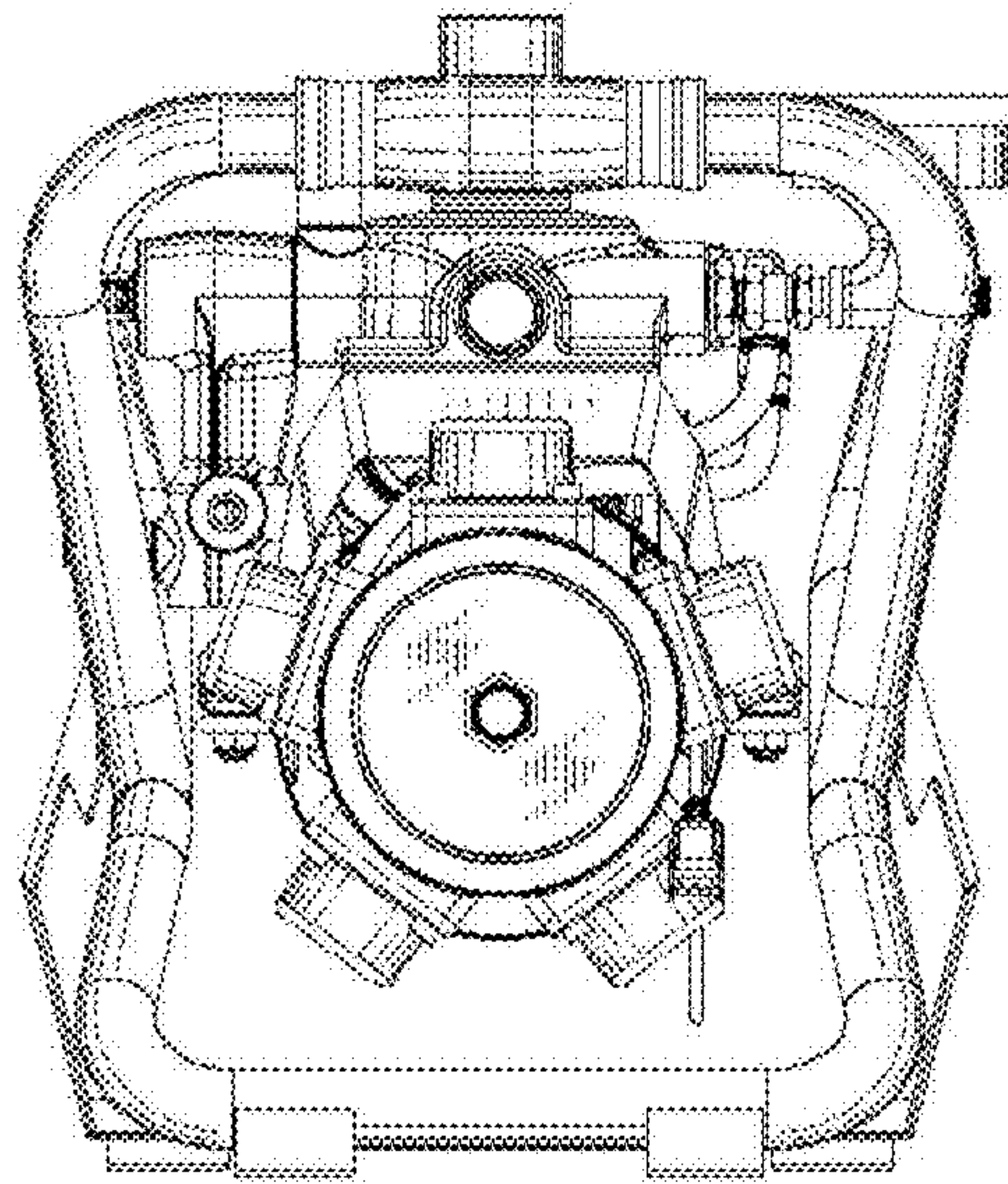


Fig. 7